

## LM138およびLM338 5A可変レギュレータ

### 1 特長

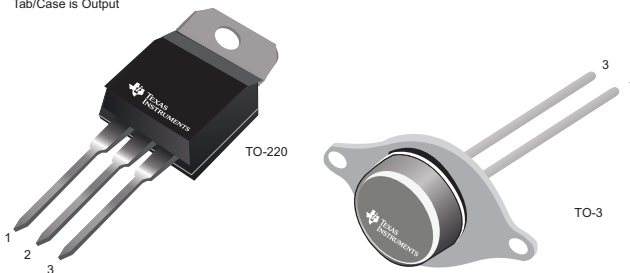
- 7Aのピーク出力電流を保証
- 5Aの出力電流を保証
- 可変出力電圧: 最小1.2V
- 熱レギュレーションを規定
- 温度に対して一定の電流制限
- P<sup>+</sup> Product Enhancementテスト済み
- 出力の短絡保護

### 2 アプリケーション

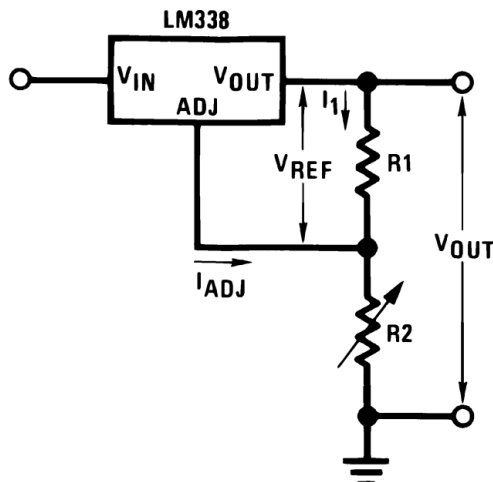
- 可変電源
- 定電流レギュレータ
- バッテリ充電器

#### 利用可能なパッケージ

Pin 1. Adjustment  
2. Output  
3. Input  
Tab/Case is Output



#### 代表的なアプリケーション回路



Copyright © 2016, Texas Instruments Incorporated

### 3 概要

LM138シリーズは、可変の3端子正電圧レギュレータで、1.2V~32Vの出力電圧範囲で5A以上を供給可能です。非常に使い勝手がよく、2つの抵抗だけで出力電圧を設定できます。周到な回路設計により、負荷およびラインのレギュレーションが非常に優れており、多くの商用電源に匹敵します。LM138ファミリは標準の3リードのトランジスタ・パッケージで供給されます。

LM138ファミリ独自の機能として、時間依存の電流制限が挙げられます。電流制限回路により、短い時間ならレギュレータから最高12Aのピーク電流を出力できます。このため、LM138は最大負荷の状況で大きな過渡負荷に対応でき、スタートアップを高速化できます。持続的な負荷状況では、レギュレータを保護するために電流制限が安全な値まで低下します。チップには熱過負荷保護と、電力トランジスタの安全領域保護も組み込まれています。過負荷保護は、調整(ADJ)ピンが誤って切断された場合でも動作し続けます。

デバイスが入力フィルタ・コンデンサから6インチ以上離れていない限り、通常はコンデンサ不要です。6インチ以上離れている場合には、入力バイパス・コンデンサが必要です。出力コンデンサを追加すると過渡応答を改善できます。また調整ピンをバイパスするとレギュレータのリップル除去率が改善されます。

LM138は、固定レギュレータやディスクリート部品の置き換え以外にも、広範なアプリケーションに有用です。レギュレータはフローティング状態で、入力から出力への差動電圧のみを受け取るため、入力から出力への差分の最大値を超過せず、出力からグラウンドへの短絡が発生しない限り、数百ボルトの電圧の電源でもレギュレート可能です。LM138シリーズの部品番号で、接尾辞Kがあるものは標準のスチール製TO-CANパッケージで供給され、接尾辞TがあるものはTO-220プラスチック・パッケージで供給されています。LM138は $T_J = -55^{\circ}\text{C} \sim 150^{\circ}\text{C}$ が定格で、LM338は $T_J = 0^{\circ}\text{C} \sim 125^{\circ}\text{C}$ が定格です。

#### 製品情報<sup>(1)</sup>

型番	パッケージ	本体サイズ(公称)
LM138	TO-CAN (2)	25.40mm×38.94mm
LM338	TO-220 (3)	10.16mm×14.986mm
	TO-CAN (2)	25.40mm×38.94mm

(1) 提供されているすべてのパッケージについては、巻末の注文情報を参照してください。



## 目次

<b>1</b>	<b>特長</b> .....	<b>1</b>	<b>8</b>	<b>Application and Implementation</b> .....	<b>11</b>
<b>2</b>	<b>アプリケーション</b> .....	<b>1</b>	8.1	Application Information.....	11
<b>3</b>	<b>概要</b> .....	<b>1</b>	8.2	Typical Applications .....	12
<b>4</b>	<b>改訂履歴</b> .....	<b>2</b>	8.3	System Examples .....	17
<b>5</b>	<b>Pin Configuration and Functions</b> .....	<b>3</b>	<b>9</b>	<b>Power Supply Recommendations</b> .....	<b>23</b>
<b>6</b>	<b>Specifications</b> .....	<b>3</b>	<b>10</b>	<b>Layout</b> .....	<b>23</b>
6.1	Absolute Maximum Ratings .....	3	10.1	Layout Guidelines .....	23
6.2	Recommended Operating Conditions.....	3	10.2	Layout Example .....	23
6.3	Thermal Information .....	4	<b>11</b>	<b>デバイスおよびドキュメントのサポート</b> .....	<b>24</b>
6.4	Electrical Characteristics: LM138.....	4	11.1	ドキュメントの更新通知を受け取る方法.....	24
6.5	Electrical Characteristics: LM338.....	5	11.2	関連リンク .....	24
6.6	Typical Characteristics .....	6	11.3	コミュニティ・リソース .....	24
<b>7</b>	<b>Detailed Description</b> .....	<b>9</b>	11.4	商標 .....	24
7.1	Overview .....	9	11.5	静電気放電に関する注意事項 .....	24
7.2	Functional Block Diagram .....	9	11.6	用語集 .....	24
7.3	Feature Description.....	9	<b>12</b>	<b>メカニカル、パッケージ、および注文情報</b> .....	<b>24</b>
7.4	Device Functional Modes.....	10			

## 4 改訂履歴

資料番号末尾の英字は改訂を表しています。その改訂履歴は英語版に準じています。

### Revision B (April 2013) から Revision C に変更

**Page**

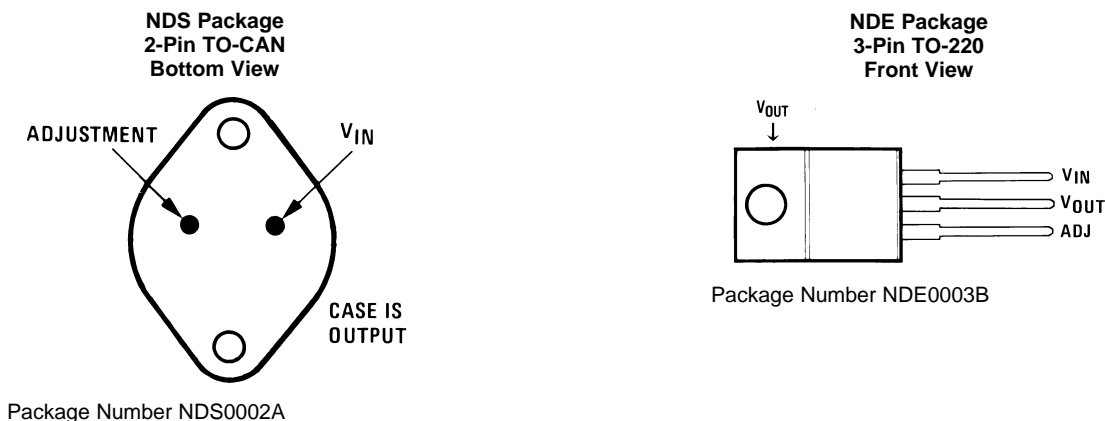
• 「製品情報」表、「ピン構成および機能」セクション、「仕様」セクション、「推奨動作条件」表、「熱に関する情報」表、「詳細説明」表、「アプリケーションと実装」セクション、「電源に関する推奨事項」セクション、「レイアウト」セクション、「デバイスおよびドキュメントのサポート」セクション、「メカニカル、パッケージ、および注文情報」セクション 追加.....	<b>1</b>
• Deleted RETS138K military specification reference from <i>Absolute Maximum Ratings</i> table.....	<b>3</b>
• Changed Junction to Ambient, $R_{\theta JA}$ , value in <i>Thermal Information</i> table From: 50°C/W To: 22.9°C/W (NDE) .....	<b>4</b>
• Changed Junction to Case, $R_{\theta JC(top)}$ , value in <i>Thermal Information</i> table From: 4°C/W To: 15.7°C/W (NDE).....	<b>4</b>

### Revision A (April 2013) から Revision B に変更

**Page**

• ナショナル・セミコンダクターのデータシートのレイアウトをTIフォーマットに変更 .....	<b>1</b>
---	----------

## 5 Pin Configuration and Functions



### Pin Functions

NAME	PIN		I/O	DESCRIPTION
	TO-220	TO-CAN		
ADJ	1	1	I	Output voltage adjustment pin. Connect to a resistor divider to set $V_O$
$V_{IN}$	3	2	I	Supply input pin
$V_{OUT}$	2	Case	O	Voltage output pin

## 6 Specifications

### 6.1 Absolute Maximum Ratings

over operating free-air temperature range (unless otherwise noted)<sup>(1)</sup>

	MIN	MAX	UNIT	
Input and output voltage differential	-0.3	40	V	
Power dissipation	Internally limited			
Lead temperature	TO-3 package (soldering, 10 s)		°C	
	TO-220 package (soldering, 4 s)			
Operating temperature, $T_J$	LM138	-55	150	°C
	LM338	0	125	
Storage temperature, $T_{stg}$	-65	150	°C	

(1) Stresses beyond those listed under *Absolute Maximum Ratings* may cause permanent damage to the device. These are stress ratings only, which do not imply functional operation of the device at these or any other conditions beyond those indicated under *Recommended Operating Conditions*. Exposure to absolute-maximum-rated conditions for extended periods may affect device reliability.

### 6.2 Recommended Operating Conditions

over operating free-air temperature range (unless otherwise noted)

	MIN	MAX	UNIT
Input-to-output voltage differential	3	40	V
Output current		5	A

### 6.3 Thermal Information

THERMAL METRIC <sup>(1)</sup>	LM338		LM338		UNIT
	NDS (TO-CAN)	NDE (TO-220)	NDS (TO-CAN)		
	2 PINS	3 PINS	2 PINS		
R <sub>θJA</sub> Junction-to-ambient thermal resistance	35	22.9	35		°C/W
R <sub>θJC(top)</sub> Junction-to-case (top) thermal resistance	1	15.7	1		°C/W
R <sub>θJB</sub> Junction-to-board thermal resistance	—	4.1	—		°C/W
ψ <sub>JT</sub> Junction-to-top characterization parameter	—	2.1	—		°C/W
ψ <sub>JB</sub> Junction-to-board characterization parameter	—	4.1	—		°C/W
R <sub>θJC(bot)</sub> Junction-to-case (bottom) thermal resistance	—	0.7	—		°C/W

(1) For more information about traditional and new thermal metrics, see the [Semiconductor and IC Package Thermal Metrics](#) application report.

### 6.4 Electrical Characteristics: LM138

Values apply for T<sub>J</sub> = 25°C; V<sub>IN</sub> – V<sub>OUT</sub> = 5 V; and I<sub>OUT</sub> = 10 mA (unless otherwise noted).<sup>(1)</sup>

PARAMETER	TEST CONDITIONS	MIN	TYP	MAX	UNIT
V <sub>REF</sub> Reference voltage	3 V ≤ (V <sub>IN</sub> – V <sub>OUT</sub> ) ≤ 35 V, 10 mA ≤ I <sub>OUT</sub> ≤ 5 A, P ≤ 50 W, T <sub>J</sub> = –55°C to 150°C	1.19	1.24	1.29	V
V <sub>RLINE</sub> Line regulation	3 V ≤ (V <sub>IN</sub> – V <sub>OUT</sub> ) ≤ 35 V <sup>(2)</sup>	T <sub>J</sub> = 25°C		0.005%	0.01%
		T <sub>J</sub> = –55°C to 150°C		0.02%	0.04%
V <sub>RLOAD</sub> Load regulation	10 mA ≤ I <sub>OUT</sub> ≤ 5 A <sup>(2)</sup>	T <sub>J</sub> = 25°C		0.1%	0.3%
		T <sub>J</sub> = –55°C to 150°C		0.3%	0.6%
Thermal regulation	20 ms pulse		0.002%	0.01%	W
I <sub>ADJ</sub> Adjustment pin current	T <sub>J</sub> = –55°C to 150°C		45	100	μA
ΔI <sub>ADJ</sub> Adjustment pin current change	10 mA ≤ I <sub>OUT</sub> ≤ 5 A, 3 V ≤ (V <sub>IN</sub> – V <sub>OUT</sub> ) ≤ 35 V, T <sub>J</sub> = –55°C to 150°C		0.2	5	μA
ΔV <sub>R/T</sub> Temperature stability	T <sub>J</sub> = –55°C to 150°C		1%		
I <sub>LOAD(MIN)</sub> Minimum load current	V <sub>IN</sub> – V <sub>OUT</sub> = 35 V, T <sub>J</sub> = –55°C to 150°C		3.5	5	mA
I <sub>CL</sub> Current limit	V <sub>IN</sub> – V <sub>OUT</sub> ≤ 10 V				
	DC, T <sub>J</sub> = –55°C to 150°C	5	8		A
	0.5-ms peak, T <sub>J</sub> = –55°C to 150°C	7	12		A
	V <sub>IN</sub> – V <sub>OUT</sub> = 30 V		1	1	A
V <sub>N</sub> RMS output noise (percent of V <sub>OUT</sub> )	10 Hz ≤ f ≤ 10 kHz		0.003%		
ΔV <sub>R</sub> /ΔV <sub>IN</sub> Ripple rejection ratio	V <sub>OUT</sub> = 10 V, f = 120 Hz, C <sub>ADJ</sub> = 0 μF, T <sub>J</sub> = –55°C to 150°C		60		dB
	V <sub>OUT</sub> = 10 V, f = 120 Hz, C <sub>ADJ</sub> = 10 μF, T <sub>J</sub> = –55°C to 150°C	60	75		dB
Long-term stability	T <sub>J</sub> = 125°C, 1000 Hrs		0.3%	1%	

- (1) These specifications are applicable for power dissipations up to 50 W for the TO-3 (NDS) package and 25 W for the TO-220 (NDE) package. Power dissipation is specified at these values up to 15-V input-output differential. Above 15-V differential, power dissipation is limited by internal protection circuitry. All limits (that is, the numbers in the minimum and maximum columns) are specified to TI's AOQL (Average Outgoing Quality Level).
- (2) Regulation is measured at a constant junction temperature, using pulse testing with a low duty cycle. Changes in output voltage due to heating effects are covered under the specifications for thermal regulation.

## 6.5 Electrical Characteristics: LM338

Values apply for  $T_J = 25^\circ\text{C}$ ;  $V_{IN} - V_{OUT} = 5\text{ V}$ ; and  $I_{OUT} = 10\text{ mA}$  (unless otherwise noted).<sup>(1)</sup>

PARAMETER		TEST CONDITIONS	MIN	TYP	MAX	UNIT	
$V_{REF}$	Reference voltage	$3\text{ V} \leq (V_{IN} - V_{OUT}) \leq 35\text{ V}$ , $10\text{ mA} \leq I_{OUT} \leq 5\text{ A}$ , $P \leq 50\text{ W}$ , $T_J = 0^\circ\text{C}$ to $125^\circ\text{C}$	1.19	1.24	1.29	V	
$V_{RLINE}$	Line regulation	$3\text{ V} \leq (V_{IN} - V_{OUT}) \leq 35\text{ V}^{(2)}$	$T_J = 25^\circ\text{C}$		0.005%	0.03%	V
			$T_J = 0^\circ\text{C}$ to $125^\circ\text{C}$		0.02%	0.06%	V
$V_{RLOAD}$	Load regulation	$10\text{ mA} \leq I_{OUT} \leq 5\text{ A}^{(2)}$	$T_J = 25^\circ\text{C}$		0.1	0.5	
			$T_J = 0^\circ\text{C}$ to $125^\circ\text{C}$		0.3	1	
	Thermal regulation	20-ms pulse		0.002%	0.02%	W	
$I_{ADJ}$	Adjustment pin current	$T_J = 0^\circ\text{C}$ to $125^\circ\text{C}$		45	100	$\mu\text{A}$	
$\Delta I_{ADJ}$	Adjustment pin current change	$10\text{ mA} \leq I_{OUT} \leq 5\text{ A}$ , $3\text{ V} \leq (V_{IN} - V_{OUT}) \leq 35\text{ V}$ , $T_J = 0^\circ\text{C}$ to $125^\circ\text{C}$		0.2	5	$\mu\text{A}$	
$\Delta V_{RT}$	Temperature stability	$T_J = 0^\circ\text{C}$ to $125^\circ\text{C}$		1			
$I_{LOAD(MIN)}$	Minimum load current	$V_{IN} - V_{OUT} = 35\text{ V}$ , $T_J = 0^\circ\text{C}$ to $125^\circ\text{C}$		3.5	10	mA	
$I_{CL}$	Current limit	$V_{IN} - V_{OUT} \leq 10\text{ V}$					
		DC, $T_J = 0^\circ\text{C}$ to $125^\circ\text{C}$	5	8	A		
		0.5-ms peak, $T_J = 0^\circ\text{C}$ to $125^\circ\text{C}$	7	12	A		
		$V_{IN} - V_{OUT} = 30\text{ V}$			1	A	
$V_N$	RMS output noise (percent of $V_{OUT}$ )	$10\text{ Hz} \leq f \leq 10\text{ kHz}$		0.003%			
$\Delta V_R/\Delta V_{IN}$	Ripple rejection ratio	$V_{OUT} = 10\text{ V}$ , $f = 120\text{ Hz}$ , $C_{ADJ} = 0\text{ }\mu\text{F}$ , $T_J = 0^\circ\text{C}$ to $125^\circ\text{C}$		60		dB	
		$V_{OUT} = 10\text{ V}$ , $f = 120\text{ Hz}$ , $C_{ADJ} = 10\text{ }\mu\text{F}$ , $T_J = 0^\circ\text{C}$ to $125^\circ\text{C}$	60	75		dB	
	Long-term stability	$T_J = 125^\circ\text{C}$ , 1000 Hrs		0.3%	1%		

- (1) These specifications are applicable for power dissipations up to 50 W for the TO-3 (NDS) package and 25 W for the TO-220 (NDE) package. Power dissipation is specified at these values up to 15-V input-output differential. Above 15-V differential, power dissipation is limited by internal protection circuitry. All limits (that is, the numbers in the minimum and maximum columns) are specified to TI's AOQL (Average Outgoing Quality Level).
- (2) Regulation is measured at a constant junction temperature, using pulse testing with a low duty cycle. Changes in output voltage due to heating effects are covered under the specifications for thermal regulation.

### 6.6 Typical Characteristics

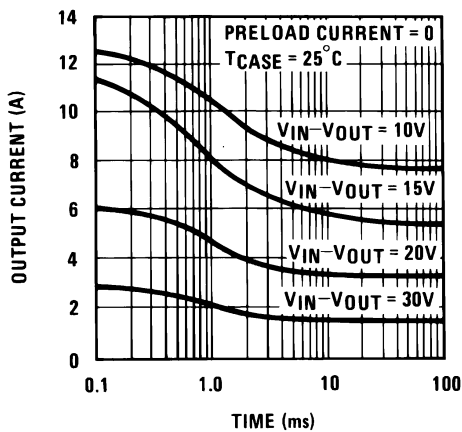


Figure 1. Current Limit

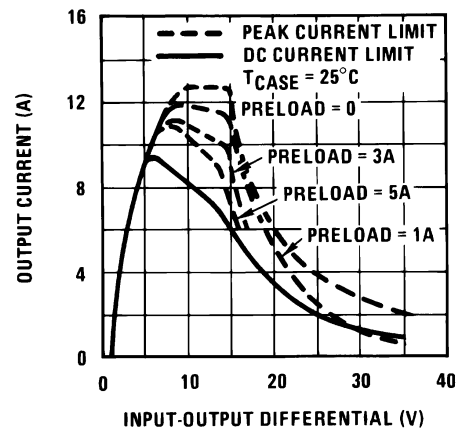


Figure 2. Current Limit

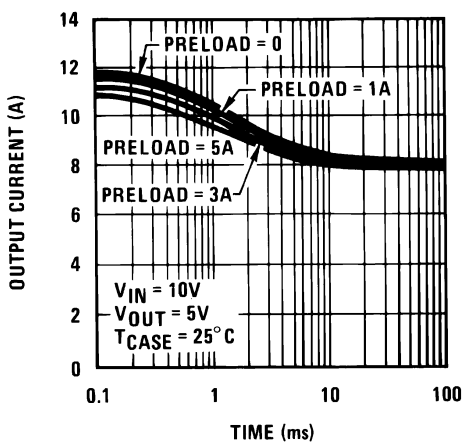


Figure 3. Current Limit

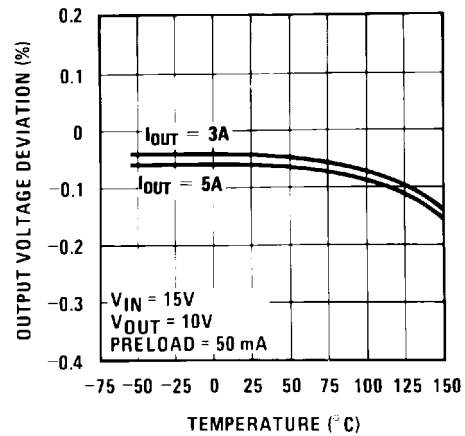


Figure 4. Load Regulation

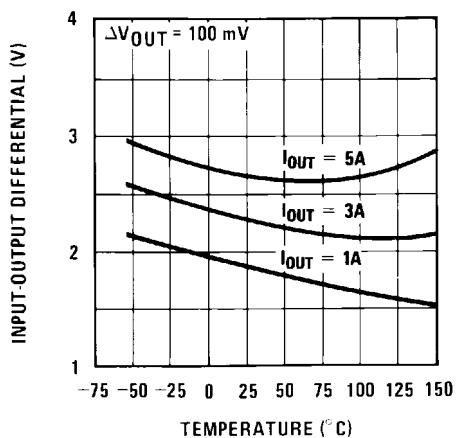


Figure 5. Dropout Voltage

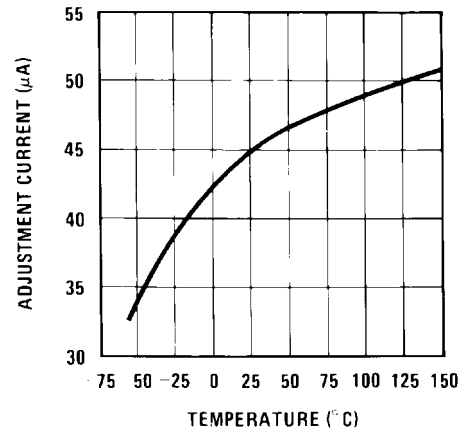


Figure 6. Adjustment Current

Typical Characteristics (continued)

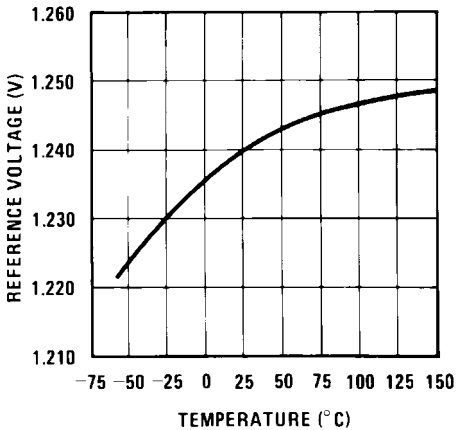


Figure 7. Temperature Stability

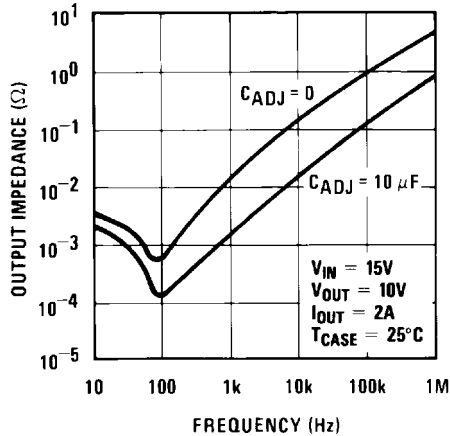


Figure 8. Output Impedance

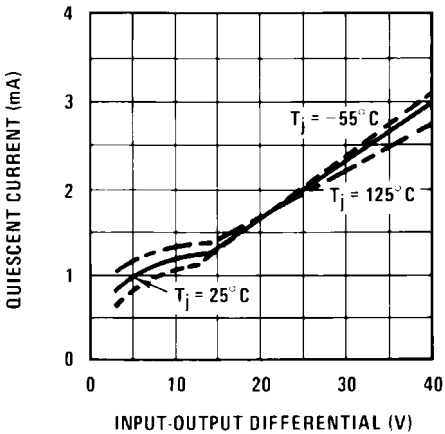


Figure 9. Minimum Operating Current

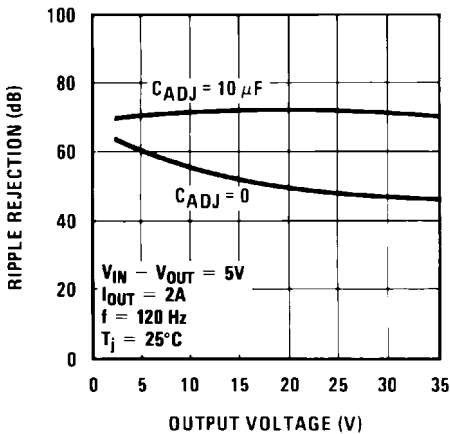


Figure 10. Ripple Rejection

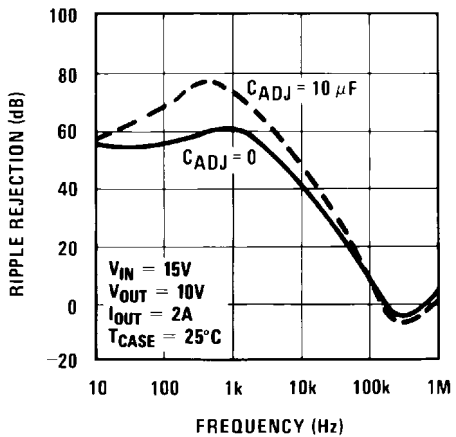


Figure 11. Ripple Rejection

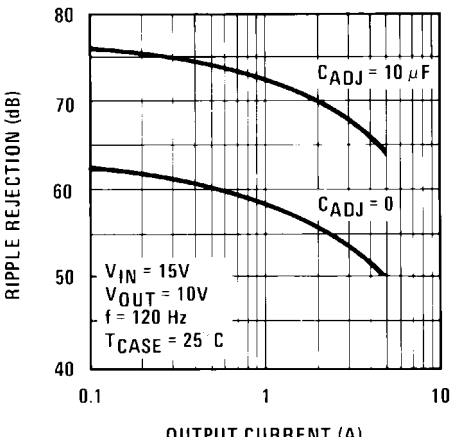
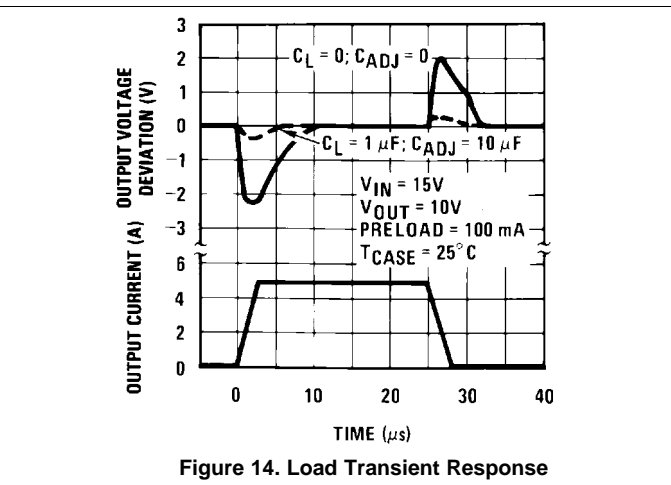
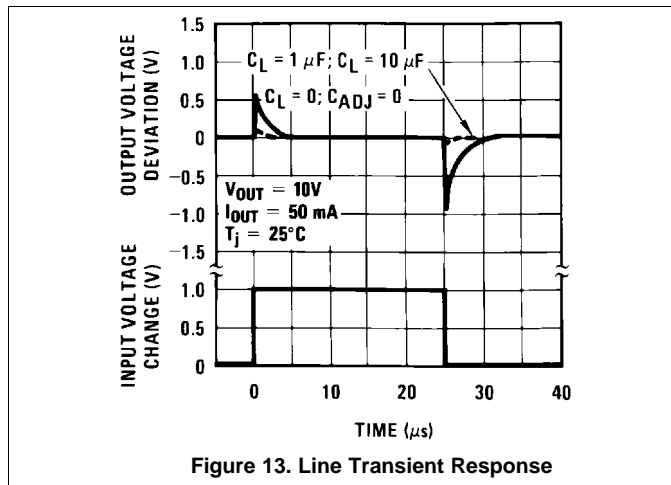


Figure 12. Ripple Rejection

Typical Characteristics (continued)





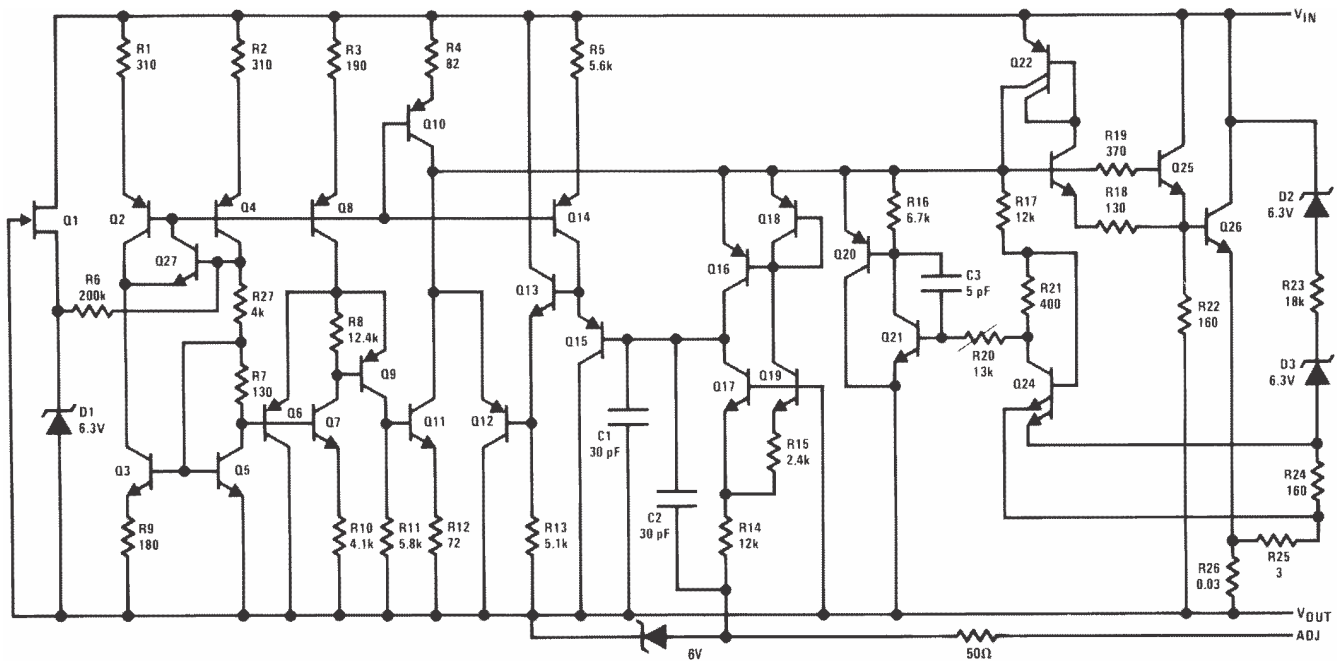
## 7 Detailed Description

### 7.1 Overview

The LM138 and LM338 devices are adjustable, three-terminal, positive-voltage regulators capable of supplying more than 5 A over an output-voltage range of 1.2 V to 32 V. It requires only two external resistors to set the output voltage. These devices feature a typical line regulation of 0.005% and typical load regulation of 0.1%. It includes time-dependent current limiting, thermal overload protection, and safe operating area protection. Overload protection remains functional even if the ADJUST terminal is disconnected.

The LM138 and LM338 devices are versatile in their applications, including uses in programmable output regulation and local on-card regulation. Or, by connecting a fixed resistor between the ADJUST and OUTPUT terminals, the LM138 and LM338 devices can function as a precision current regulators. An optional output capacitor can be added to improve transient response. The ADJUST terminal can be bypassed to achieve very high ripple-rejection ratios, which are difficult to achieve with standard three-terminal regulators.

### 7.2 Functional Block Diagram



Copyright © 2016, Texas Instruments Incorporated

### 7.3 Feature Description

#### 7.3.1 NPN Darlington Output Drive

NPN Darlington output topology provides naturally low output impedance and an output capacitor is optional. To support maximum current and lowest temperature, 3-V headroom is recommended ( $V_I - V_O$ ).

#### 7.3.2 Overload Block

Overcurrent and overtemperature shutdown protects the device against overload or damage from operating in excessive heat.

#### 7.3.3 Programmable Feedback

Op amp with 1.25-V offset input at the ADJUST terminal provides easy output voltage or current (not both) programming. For current regulation applications, a single resistor whose resistance value is  $1.25 V_{IO}$  and power rating is greater than  $1.25 V^2/R$  must be used. For voltage regulation applications, two resistors set the output voltage.

## 7.4 Device Functional Modes

### 7.4.1 Normal Operation

The device OUTPUT pin sources current necessary to make OUTPUT pin 1.25 V greater than ADJUST terminal to provide output regulation.

### 7.4.2 Operation With Low Input Voltage

The device requires up to 3-V headroom ( $V_I - V_O$ ) to operate in regulation. With less headroom, the device may drop out and OUTPUT voltage is INPUT voltage minus drop out voltage.

### 7.4.3 Operation at Light Loads

The device passes its bias current to the OUTPUT pin. The load or feedback must consume this minimum current for regulation or the output may be too high. A 250- $\Omega$  feedback resistor between OUTPUT and ADJUST consumes the worst case minimum load current of 5 mA.

### 7.4.4 Operation in Self Protection

When an overload occurs, the device shuts down Darlington NPN output stage or reduces the output current to prevent device damage. The device automatically resets from the overload. The output may be reduced or alternate between on and off until the overload is removed.

## 8 Application and Implementation

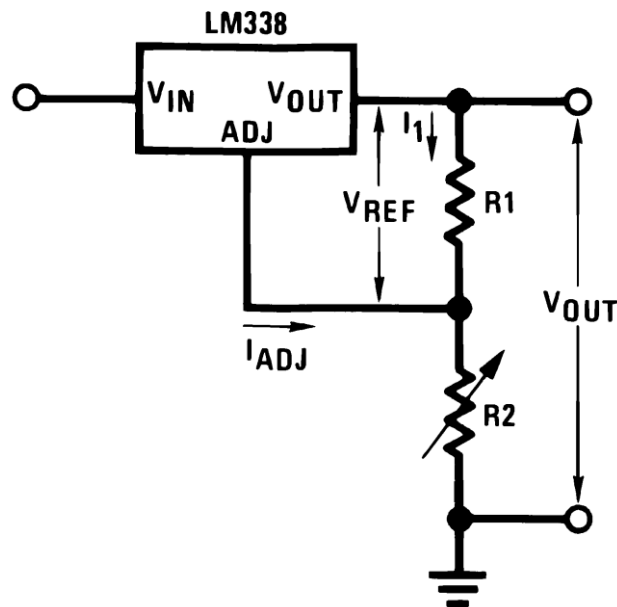
### NOTE

Information in the following applications sections is not part of the TI component specification, and TI does not warrant its accuracy or completeness. TI's customers are responsible for determining suitability of components for their purposes. Customers should validate and test their design implementation to confirm system functionality.

### 8.1 Application Information

In operation, the LM138 develops a nominal 1.25-V reference voltage ( $V_{REF}$ ) between the output and adjustment terminal. The reference voltage is impressed across program resistor  $R_1$  and, since the voltage is constant, a constant current  $I_1$  then flows through the output set resistor  $R_2$ , giving an output voltage calculated with Equation 1.

$$V_{OUT} = V_{REF} \left( 1 + \frac{R_2}{R_1} \right) + I_{ADJ} R_2 \quad (1)$$



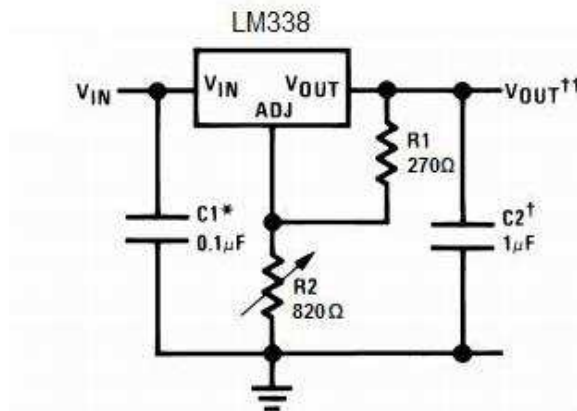
Copyright © 2016, Texas Instruments Incorporated

Figure 15. Typical Application Circuit

Because the 50- $\mu$ A current from the adjustment terminal represents an error term, the LM138 was designed to minimize  $I_{ADJ}$  and make it very constant with line and load changes. To do this, all quiescent operating current is returned to the output establishing a minimum load current requirement. If there is insufficient load on the output, the output rises.

## 8.2 Typical Applications

### 8.2.1 Constant 5-V Regulator



\*Needed if device is more than 6 inches from filter capacitors.

†Optional—improves transient response

$$\ddagger V_{OUT} = 1.25 V \left( 1 + \frac{R_2}{R_1} \right) + I_{ADJ} (R_2)$$

Copyright © 2016, Texas Instruments Incorporated

**Figure 16. Constant 5-V Regulator**

#### 8.2.1.1 Design Requirements

**R1:** Because the LM138 produces a typical 1.24 V potential between the OUTPUT and ADJUST pins, placing a 270-Ω resistor between them causes 4.6 mA to flow through R1 and R2.

**R2:** To achieve a 5-V output, the sum of the voltages across R1 and R2 must equal 5 V. Therefore, Vr2 must equal 3.76 V when 4.6 mA is flowing through it.  $R_2 = V_{r2} / I = 3.76 V / 4.6 mA = \sim 820 \Omega$ .

**C<sub>IN</sub>:** 0.1 μF of input capacitance helps filter out unwanted noise, especially if the regulator is located far from the power supply filter capacitors.

**C<sub>OUT</sub>:** The regulator is stable without any output capacitance, but adding a 1-μF capacitor improves the transient response.

**C<sub>ADJ</sub>:** A 10-μF capacitor bypassing the ADJUST pin to ground improves the regulators ripple rejection.

**D1:** Protection diode D1 is recommended if C<sub>OUT</sub> is used. The diode provides a low-impedance discharge path to prevent the capacitor from discharging into the output of the regulator (see [Protection Diodes](#)).

**D2:** Protection diode D2 is recommended if C<sub>ADJ</sub> is used. The diode provides a low-impedance discharge path to prevent the capacitor from discharging into the output of the regulator (see [Protection Diodes](#)).

[Table 1](#) lists the design parameters for this typical application.

**Table 1. Design Parameters**

PARAMETER	VALUE
Feedback resistor 1 (R1)	270 $\Omega$
Feedback resistor 2 (R2)	820 $\Omega$
Input capacitor (C <sub>IN</sub> )	0.1 $\mu$ F
Output capacitor (C <sub>OUT</sub> )	1 $\mu$ F
Adjust capacitor (C <sub>ADJ</sub> )	10 $\mu$ F

### 8.2.1.2 Detailed Design Procedure

#### 8.2.1.2.1 External Capacitors

An input bypass capacitor is recommended. A 0.1- $\mu$ F disc or 1- $\mu$ F solid tantalum on the input is suitable input bypassing for almost all applications. The device is more sensitive to the absence of input bypassing when adjustment or output capacitors are used but the above values eliminate the possibility of problems.

The adjustment terminal can be bypassed to ground on the LM138 to improve ripple rejection. This bypass capacitor prevents ripple from being amplified as the output voltage is increased. With a 10- $\mu$ F bypass capacitor, 75-dB ripple rejection is obtainable at any output level. Increases over 20  $\mu$ F do not appreciably improve the ripple rejection at frequencies above 120 Hz. If the bypass capacitor is used, it is sometimes necessary to include protection diodes to prevent the capacitor from discharging through internal low current paths and damaging the device.

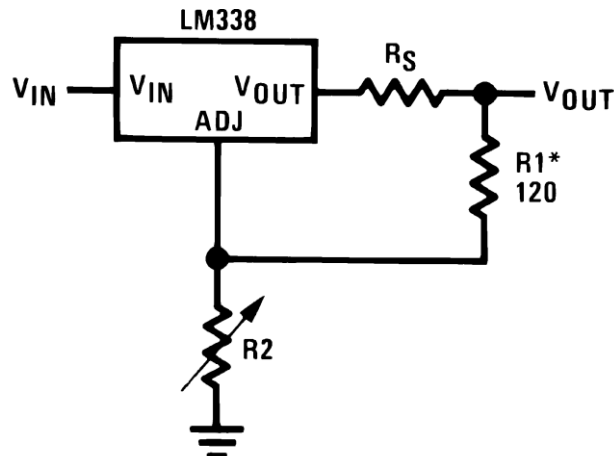
In general, the best type of capacitors to use are solid tantalum. Solid tantalum capacitors have low impedance even at high frequencies. Depending upon capacitor construction, it takes about 25  $\mu$ F in aluminum electrolytic to equal 1- $\mu$ F solid tantalum at high frequencies. Ceramic capacitors are also good at high frequencies; but some types have a large decrease in capacitance at frequencies around 0.5 MHz. For this reason, 0.01- $\mu$ F disc may seem to work better than a 0.1- $\mu$ F disc as a bypass.

Although the LM138 is stable with no output capacitors, like any feedback circuit, certain values of external capacitance can cause excessive ringing. This occurs with values between 500 pF and 5000 pF. A 1- $\mu$ F solid tantalum (or 25- $\mu$ F aluminum electrolytic) on the output swamps this effect and insures stability.

#### 8.2.1.2.2 Load Regulation

The LM138 is capable of providing extremely good load regulation but a few precautions are needed to obtain maximum performance. The current set resistor connected between the adjustment terminal and the output terminal (usually 240  $\Omega$ ) must be tied directly to the output of the regulator (case) rather than near the load. This eliminates line drops from appearing effectively in series with the reference and degrading regulation. For example, a 15-V regulator with 0.05- $\Omega$  resistance between the regulator and load has a load regulation due to line resistance of  $0.05 \Omega \times I_L$ . If the set resistor is connected near the load, the effective line resistance is  $0.05 \Omega (1 + R2/R1)$  or in this case, 11.5 times worse.

Figure 17 shows the effect of resistance between the regulator and 240- $\Omega$  set resistor.



Copyright © 2016, Texas Instruments Incorporated

**Figure 17. Regulator With Line Resistance in Output Lead**

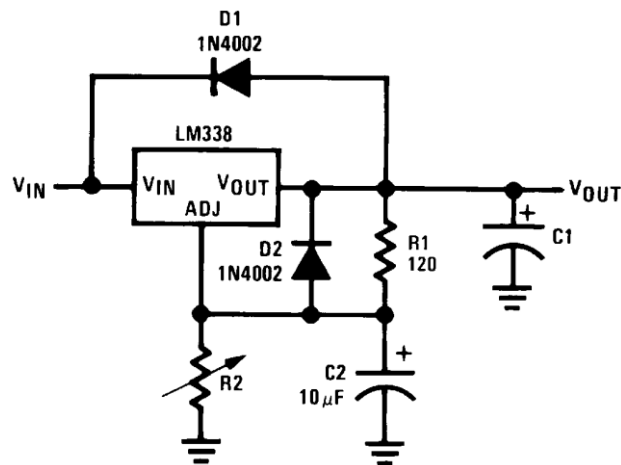
With the TO-3 package, it is easy to minimize the resistance from the case to the set resistor, by using 2 separate leads to the case. The ground of R2 can be returned near the ground of the load to provide remote ground sensing and improve load regulation.

#### 8.2.1.2.3 Protection Diodes

When external capacitors are used with *any* IC regulator it is sometimes necessary to add protection diodes to prevent the capacitors from discharging through low current points into the regulator. Most 20- $\mu$ F capacitors have low enough internal series resistance to deliver 20-A spikes when shorted. Although the surge is short, there is enough energy to damage parts of the IC.

When an output capacitor is connected to a regulator and the input is shorted, the output capacitor discharges into the output of the regulator. The discharge current depends on the value of the capacitor, the output voltage of the regulator, and the rate of decrease of  $V_{IN}$ . In the LM138 this discharge path is through a large junction that is able to sustain 25-A surge with no problem. This is not true of other types of positive regulators. For output capacitors of 100  $\mu$ F or less at output of 15 V or less, there is no need to use diodes.

The bypass capacitor on the adjustment terminal can discharge through a low current junction. Discharge occurs when *either* the input or output is shorted. Internal to the LM138 is a 50- $\Omega$  resistor which limits the peak discharge current. No protection is needed for output voltages of 25-V or less and 10- $\mu$ F capacitance. [Figure 18](#) shows an LM138 with protection diodes included for use with outputs greater than 25 V and high values of output capacitance.



Copyright © 2016, Texas Instruments Incorporated

$$V_{OUT} = 1.25V \left( 1 + \frac{R2}{R1} \right) + I_{ADJ}R2$$

D1 protects against C1  
D2 protects against C2

Figure 18. Regulator With Protection Diodes

8.2.1.3 Application Curves

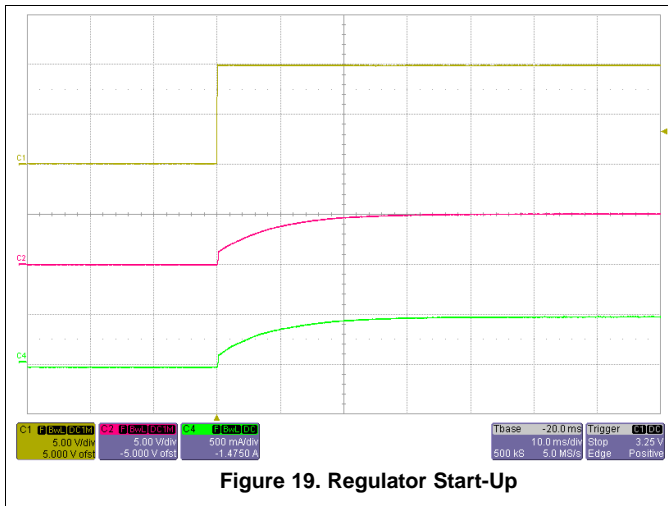


Figure 19. Regulator Start-Up

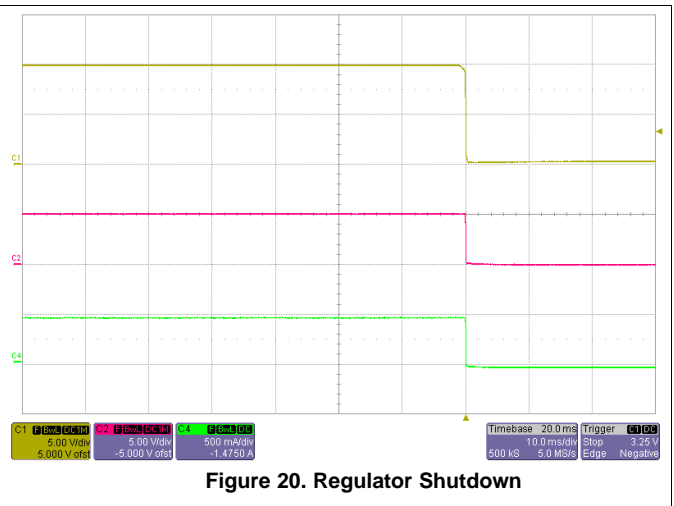
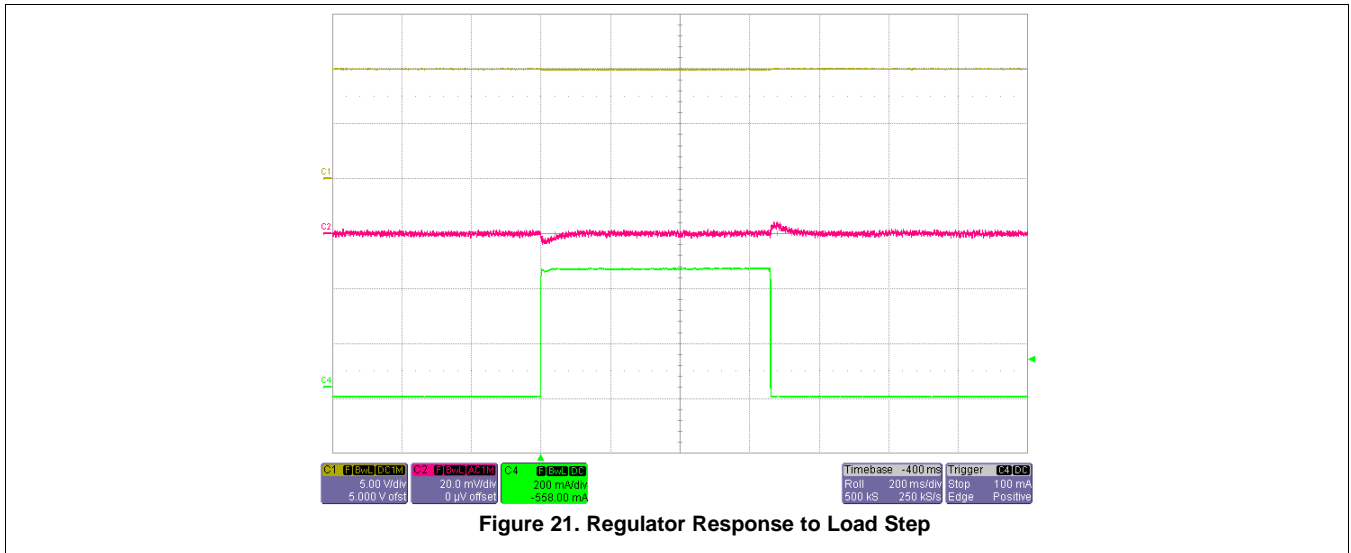
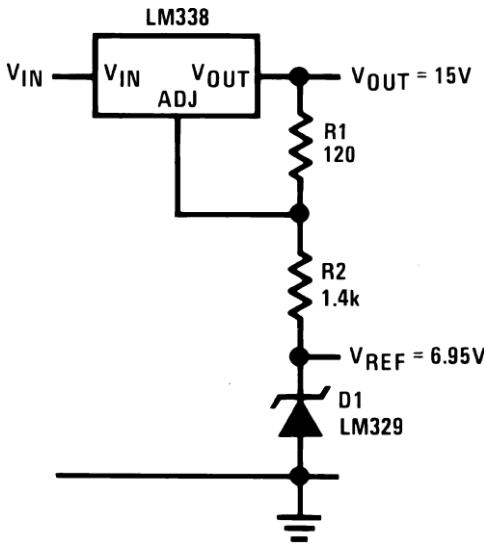


Figure 20. Regulator Shutdown



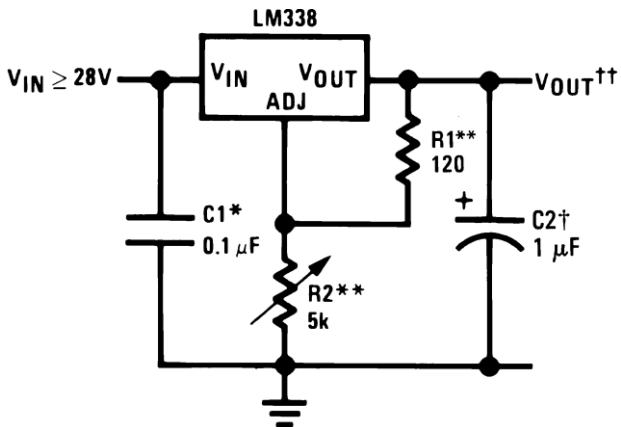


8.3 System Examples



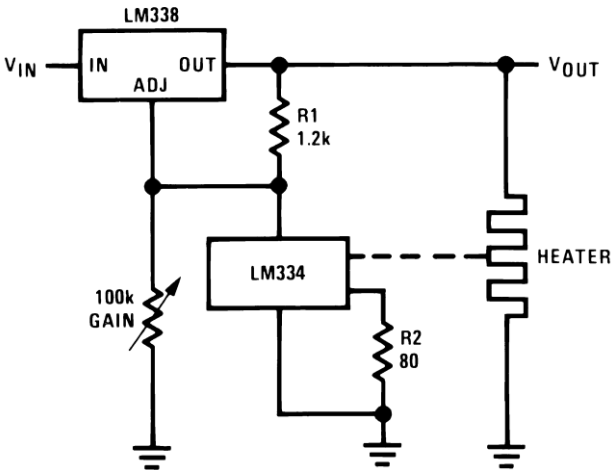
Copyright © 2016, Texas Instruments Incorporated

Figure 22. Regulator and Voltage Reference



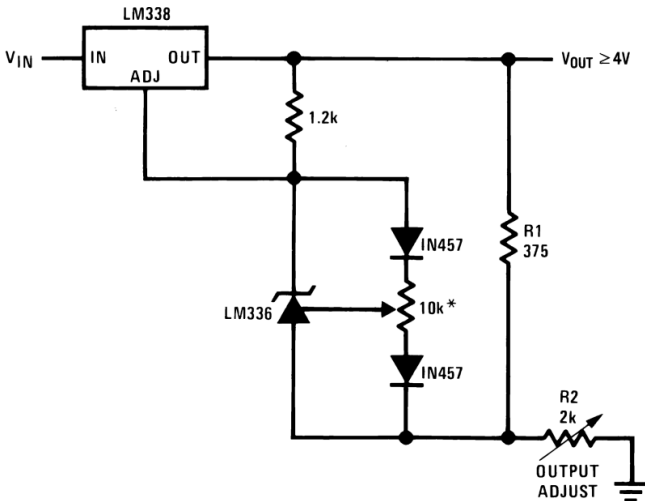
Copyright © 2016, Texas Instruments Incorporated

Figure 23. 1.2-V to 25-V Adjustable Regulator



Copyright © 2016, Texas Instruments Incorporated

Figure 24. Temperature Controller



Copyright © 2016, Texas Instruments Incorporated

Figure 25. Precision Power Regulator With Low Temperature Coefficient

Full output current not available at high input-output voltages  
 †Optional—improves transient response. Output capacitors in the range of 1 μF to 1000 μF of aluminum or tantalum electrolytic are commonly used to provide improved output impedance and rejection of transients.

\*Needed if device is more than 6 inches from filter capacitors.

$$\dagger\dagger V_{OUT} = 1.25V \left( 1 + \frac{R_2}{R_1} \right) + I_{ADJ} (R_2)$$

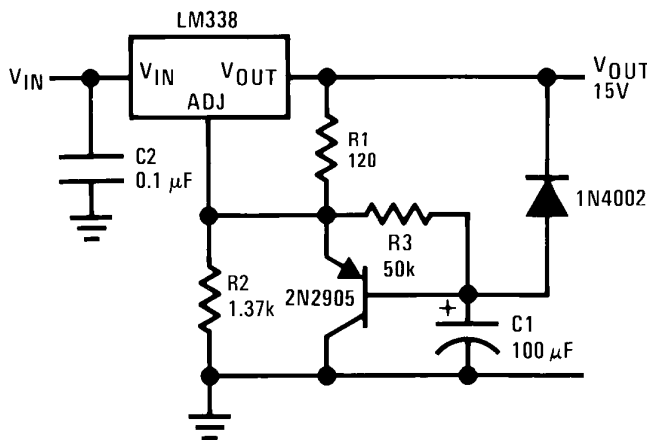
\*\*R1 = 240 Ω for LM138. R1, R2 as an assembly can be ordered from Bourns:

MIL part no. 7105A-AT2-502

COMM part no. 7105A-AT7-502

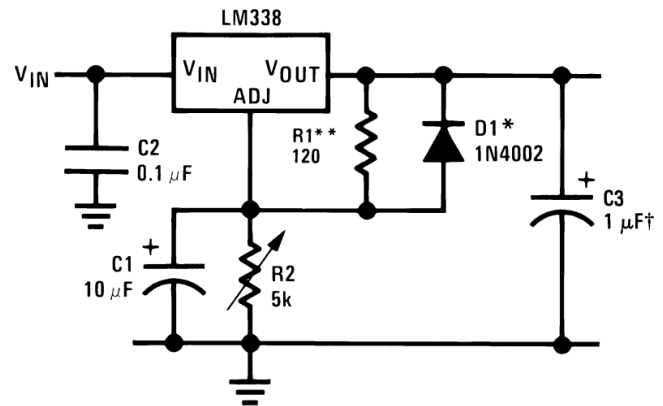
\* Adjust for 3.75 across R1

System Examples (continued)



Copyright © 2016, Texas Instruments Incorporated

Figure 26. Slow Turnon 15-V Regulator



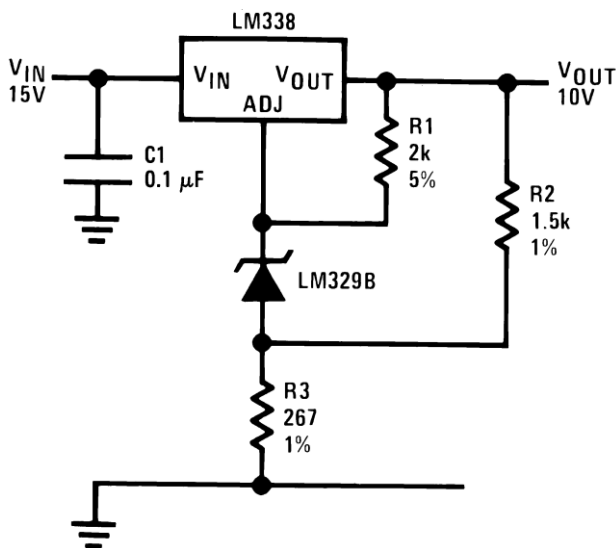
Copyright © 2016, Texas Instruments Incorporated

†Solid tantalum

\*Discharges C1 if output is shorted to ground

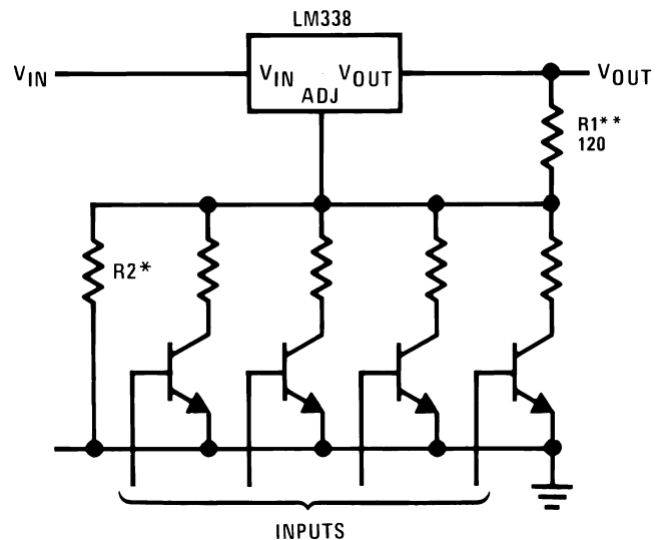
\*\*R1 = 240 Ω for LM138

Figure 27. Adjustable Regulator With Improved Ripple Rejection



Copyright © 2016, Texas Instruments Incorporated

Figure 28. High Stability 10-V Regulator



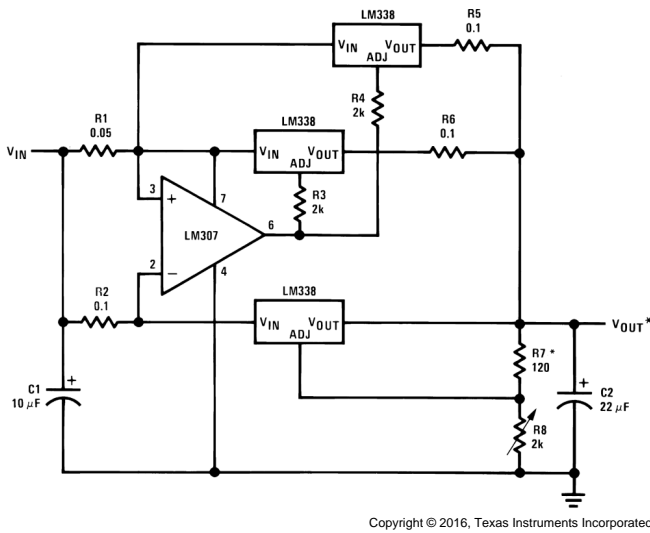
Copyright © 2016, Texas Instruments Incorporated

\*Sets maximum V<sub>OUT</sub>

\*\*R1 = 240 Ω for LM138

Figure 29. Digitally Selected Outputs

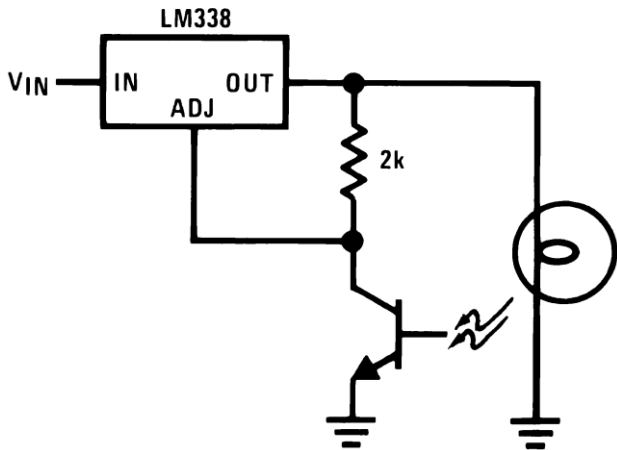
System Examples (continued)



Copyright © 2016, Texas Instruments Incorporated

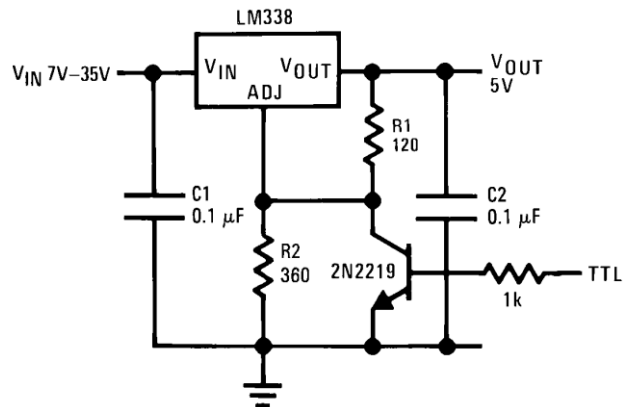
\* Minimum load—100 mA

Figure 30. 15-A Regulator



Copyright © 2016, Texas Instruments Incorporated

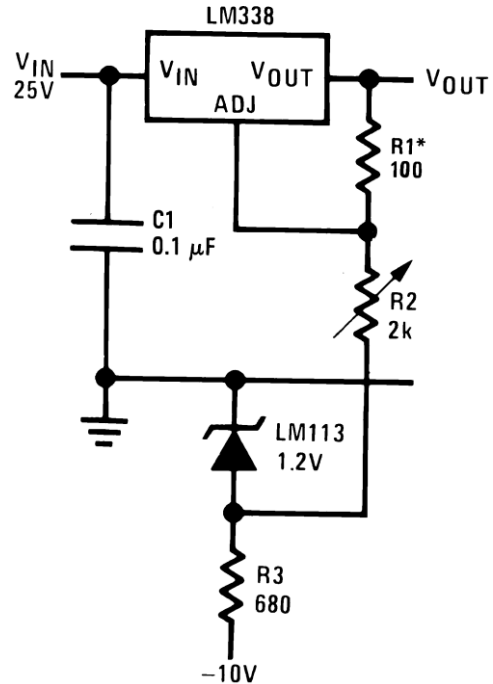
Figure 32. Light Controller



Copyright © 2016, Texas Instruments Incorporated

\*\* Minimum output ≈ 1.2 V

Figure 31. 5-V Logic Regulator With Electronic Shutdown\*\*

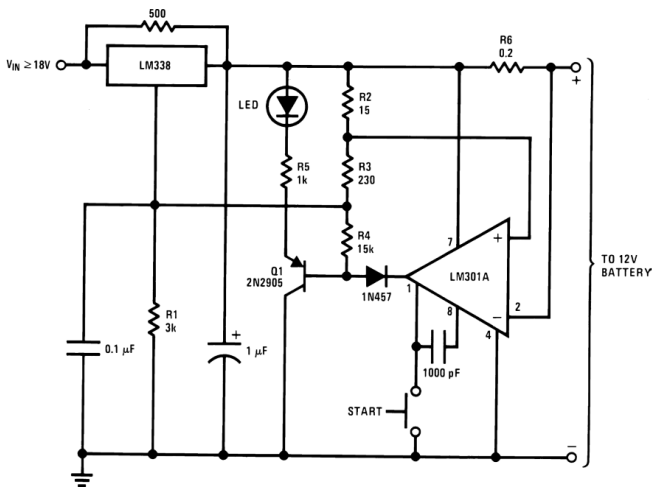


Copyright © 2016, Texas Instruments Incorporated

\* R1 = 240 Ω, R2 = 5k for LM138  
Full output current not available at high input-output voltages

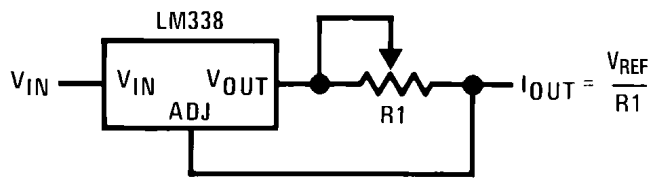
Figure 33. 0 to 22-V Regulator

**System Examples (continued)**



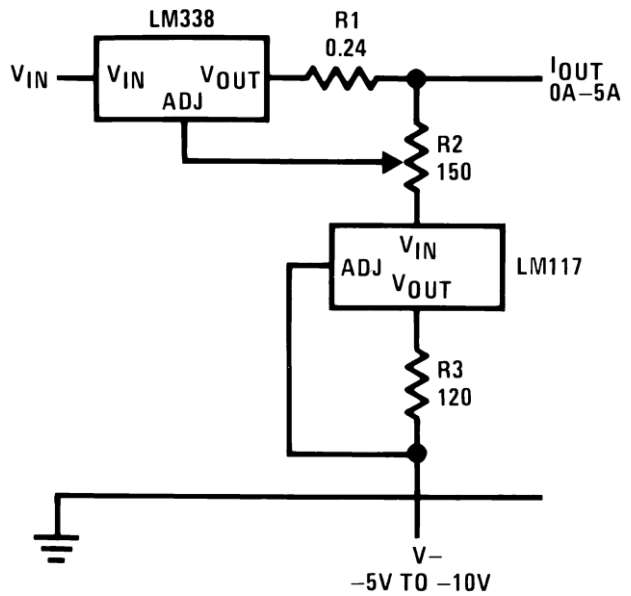
Copyright © 2016, Texas Instruments Incorporated

**Figure 34. 12-V Battery Charger**



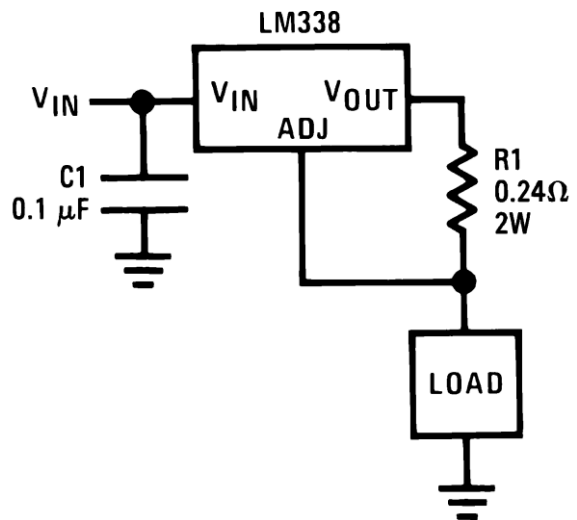
Copyright © 2016, Texas Instruments Incorporated

**Figure 36. Precision Current Limiter**



Copyright © 2016, Texas Instruments Incorporated

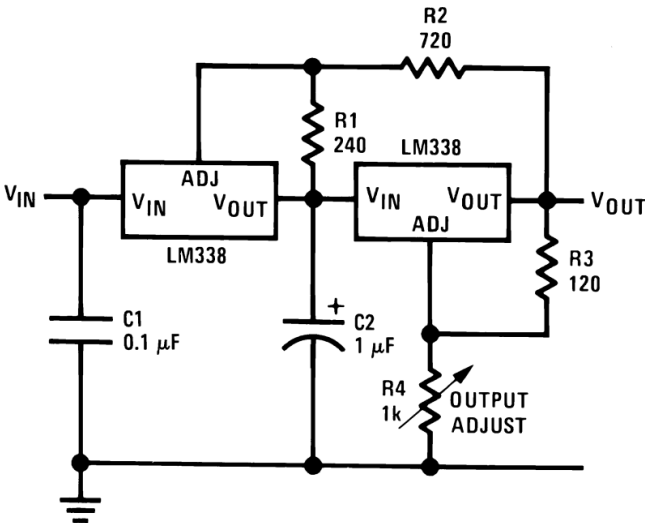
**Figure 35. Adjustable Current Regulator**



Copyright © 2016, Texas Instruments Incorporated

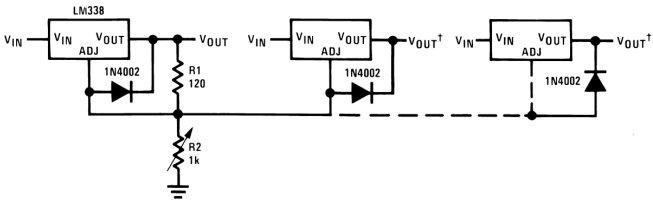
**Figure 37. 5-A Current Regulator**

System Examples (continued)



Copyright © 2016, Texas Instruments Incorporated

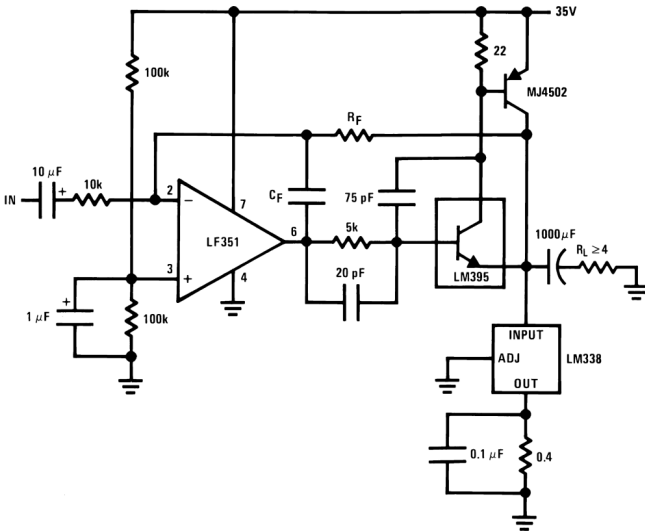
Figure 38. Tracking Preregulator



Copyright © 2016, Texas Instruments Incorporated

† Minimum load—10 mA  
\* All outputs within ±100 mV

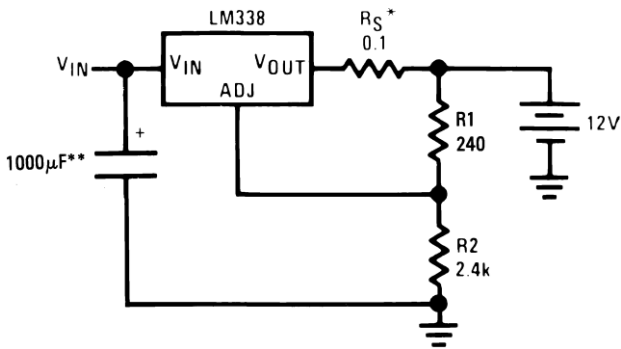
Figure 39. Adjusting Multiple On-Card Regulators With Single Control\*



Copyright © 2016, Texas Instruments Incorporated

$A_V = 1$ ,  $R_F = 10k$ ,  $C_F = 100$  pF  
 $A_V = 10$ ,  $R_F = 100k$ ,  $C_F = 10$  pF  
Bandwidth  $\geq 100$  kHz  
Distortion  $\leq 0.1\%$

Figure 40. Power Amplifier



Copyright © 2016, Texas Instruments Incorporated

\* $R_S$ —sets output impedance of charger  $Z_{OUT} = R_S \left( 1 + \frac{R_2}{R_1} \right)$

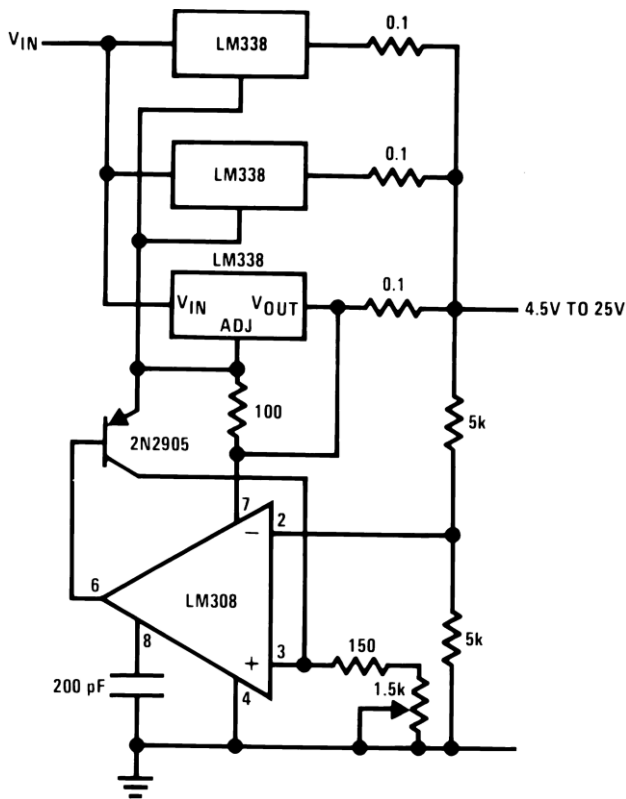
Use of  $R_S$  allows low charging rates with fully charged battery.  
\*\*The 1000  $\mu$ F is recommended to filter out input transients

\* $R_S$ —sets output impedance of charger  $Z_{OUT} = R_S \left( 1 + \frac{R_2}{R_1} \right)$

Use of  $R_S$  allows low charging rates with fully charged battery.  
\*\*The 1000  $\mu$ F is recommended to filter out input transients

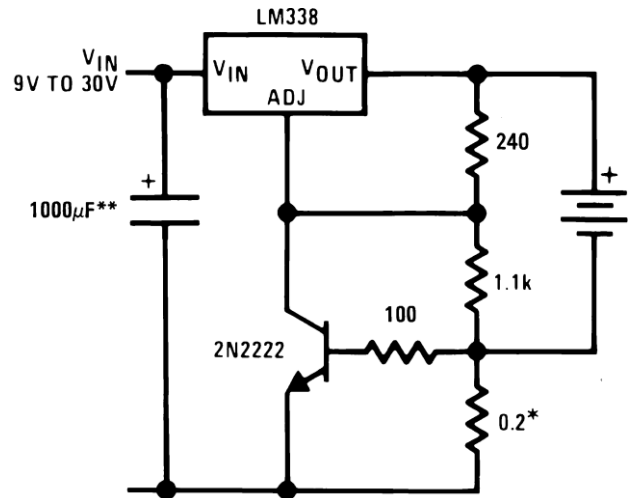
Figure 41. Simple 12-V Battery Charger

System Examples (continued)



Copyright © 2016, Texas Instruments Incorporated

Figure 42. Adjustable 15-A Regulator

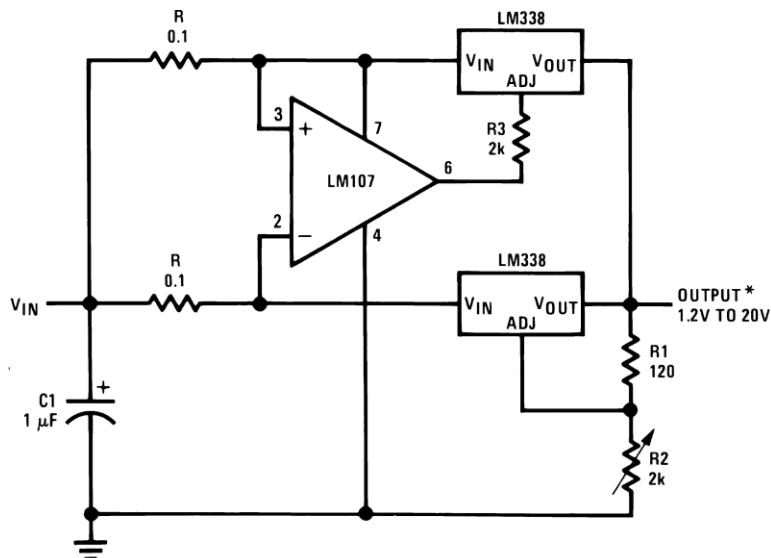


Copyright © 2016, Texas Instruments Incorporated

\* Set max charge current to 3 A

\*\* THE 1000  $\mu$ F is recommended to filter out input transients.

Figure 43. Current Limited 6-V Charger



Copyright © 2016, Texas Instruments Incorporated

\* Minimum load—100 mA

Figure 44. 10-A Regulator

## 9 Power Supply Recommendations

The input supply to LM138 and LM338 must be kept at a voltage level such that its maximum input to output differential voltage rating is not exceeded. The minimum dropout voltage must also be met with extra headroom when possible to keep the LM138 and LM338 in regulation. TI recommends a capacitor be placed at the input to bypass noise.

## 10 Layout

### 10.1 Layout Guidelines

Some layout guidelines must be followed to ensure proper regulation of the output voltage with minimum noise. Traces carrying the load current must be wide to reduce the amount of parasitic trace inductance and the feedback loop from  $V_{OUT}$  to ADJ must be kept as short as possible. To improve PSRR, a bypass capacitor can be placed at the ADJ pin and must be placed as close as possible to the IC. In cases when  $V_{IN}$  shorts to ground, an external diode must be placed from  $V_{OUT}$  to  $V_{IN}$  to divert the surge current from the output capacitor and protect the IC. Similarly, in cases when a large bypass capacitor is placed at the ADJ pin and  $V_{OUT}$  shorts to ground, an external diode must be placed from ADJ to  $V_{OUT}$  to provide a path for the bypass capacitor to discharge. These diodes must be placed close to the corresponding IC pins to increase their effectiveness.

### 10.2 Layout Example

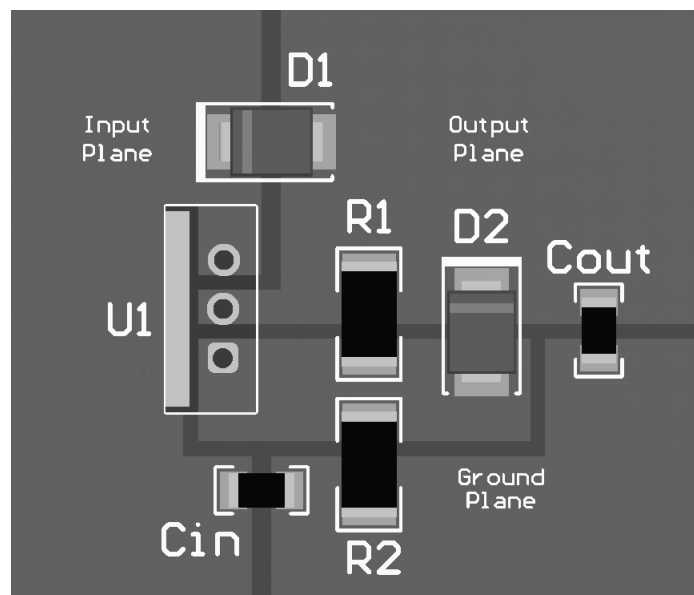


Figure 45. LMx38 Layout

## 11 デバイスおよびドキュメントのサポート

### 11.1 ドキュメントの更新通知を受け取る方法

ドキュメントの更新についての通知を受け取るには、[ti.com](http://ti.com)のデバイス製品フォルダを開いてください。右上の隅にある「通知を受け取る」をクリックして登録すると、変更されたすべての製品情報に関するダイジェストを毎週受け取れます。変更の詳細については、修正されたドキュメントに含まれている改訂履歴をご覧ください。

### 11.2 関連リンク

次の表に、クイック・アクセス・リンクを示します。カテゴリには、技術資料、サポートおよびコミュニティ・リソース、ツールとソフトウェア、およびサンプル注文またはご購入へのクイック・アクセスが含まれます。

表 2. 関連リンク

製品	プロダクト・フォルダ	サンプルとご購入	技術資料	ツールとソフトウェア	サポートとコミュニティ
LM138	<a href="#">ここをクリック</a>	<a href="#">ここをクリック</a>	<a href="#">ここをクリック</a>	<a href="#">ここをクリック</a>	<a href="#">ここをクリック</a>
LM338	<a href="#">ここをクリック</a>	<a href="#">ここをクリック</a>	<a href="#">ここをクリック</a>	<a href="#">ここをクリック</a>	<a href="#">ここをクリック</a>

### 11.3 コミュニティ・リソース

The following links connect to TI community resources. Linked contents are provided "AS IS" by the respective contributors. They do not constitute TI specifications and do not necessarily reflect TI's views; see TI's [Terms of Use](#).

**TI E2E™オンライン・コミュニティ** *TIのE2E ( Engineer-to-Engineer )* コミュニティ。エンジニア間の共同作業を促進するために開設されたものです。e2e.ti.comでは、他のエンジニアに質問し、知識を共有し、アイデアを検討して、問題解決に役立てることができます。

**設計サポート** *TIの設計サポート* 役に立つE2Eフォーラムや、設計サポート・ツールをすばやく見つけることができます。技術サポート用の連絡先情報も参照できます。

### 11.4 商標

E2E is a trademark of Texas Instruments.  
All other trademarks are the property of their respective owners.

### 11.5 静電気放電に関する注意事項



すべての集積回路は、適切なESD保護方法を用いて、取扱いと保存を行うようにして下さい。

静電気放電はわずかな性能の低下から完全なデバイスの故障に至るまで、様々な損傷を与えます。高精度の集積回路は、損傷に対して敏感であり、極めてわずかなパラメータの変化により、デバイスに規定された仕様に適合しなくなる場合があります。

### 11.6 用語集

SLYZ022 — TI用語集.

この用語集には、用語や略語の一覧および定義が記載されています。

## 12 メカニカル、パッケージ、および注文情報

以降のページには、メカニカル、パッケージ、および注文に関する情報が記載されています。この情報は、そのデバイスについて利用可能な最新のデータです。このデータは予告なく変更されることがあり、ドキュメントが改訂される場合もあります。本データシートのブラウザ版を使用されている場合は、画面左側の説明をご覧ください。



**PACKAGING INFORMATION**

Orderable part number	Status (1)	Material type (2)	Package   Pins	Package qty   Carrier	RoHS (3)	Lead finish/ Ball material (4)	MSL rating/ Peak reflow (5)	Op temp (°C)	Part marking (6)
<a href="#">LM138K STEEL</a>	Active	Production	TO-3 (NDS)   2	50   TRAY NON-STD	No	Call TI	Call TI	-55 to 125	LM138K STEELP+
<a href="#">LM138K STEEL/NOPB</a>	Active	Production	TO-3 (NDS)   2	50   TRAY NON-STD	Yes	Call TI	Level-1-NA-UNLIM	-55 to 125	LM138K STEELP+
LM138K-STEEL.Z	Active	Production	TO-3 (NDS)   2	50   TRAY NON-STD	No	Call TI	Call TI	-55 to 125	LM138K STEELP+
LM138K-STEEL/NOPB.Z	Active	Production	TO-3 (NDS)   2	50   TRAY NON-STD	Yes	Call TI	Level-1-NA-UNLIM	-55 to 125	LM138K STEELP+
<a href="#">LM338T/NOPB</a>	Active	Production	TO-220 (NDE)   3	45   TUBE	Yes	SN	Level-1-NA-UNLIM	0 to 125	LM338T P+
LM338T/NOPB.Z	Active	Production	TO-220 (NDE)   3	45   TUBE	Yes	SN	Level-1-NA-UNLIM	0 to 125	LM338T P+

<sup>(1)</sup> **Status:** For more details on status, see our [product life cycle](#).

<sup>(2)</sup> **Material type:** When designated, preproduction parts are prototypes/experimental devices, and are not yet approved or released for full production. Testing and final process, including without limitation quality assurance, reliability performance testing, and/or process qualification, may not yet be complete, and this item is subject to further changes or possible discontinuation. If available for ordering, purchases will be subject to an additional waiver at checkout, and are intended for early internal evaluation purposes only. These items are sold without warranties of any kind.

<sup>(3)</sup> **RoHS values:** Yes, No, RoHS Exempt. See the [TI RoHS Statement](#) for additional information and value definition.

<sup>(4)</sup> **Lead finish/Ball material:** Parts may have multiple material finish options. Finish options are separated by a vertical ruled line. Lead finish/Ball material values may wrap to two lines if the finish value exceeds the maximum column width.

<sup>(5)</sup> **MSL rating/Peak reflow:** The moisture sensitivity level ratings and peak solder (reflow) temperatures. In the event that a part has multiple moisture sensitivity ratings, only the lowest level per JEDEC standards is shown. Refer to the shipping label for the actual reflow temperature that will be used to mount the part to the printed circuit board.

<sup>(6)</sup> **Part marking:** There may be an additional marking, which relates to the logo, the lot trace code information, or the environmental category of the part.

Multiple part markings will be inside parentheses. Only one part marking contained in parentheses and separated by a "~" will appear on a part. If a line is indented then it is a continuation of the previous line and the two combined represent the entire part marking for that device.

**Important Information and Disclaimer:** The information provided on this page represents TI's knowledge and belief as of the date that it is provided. TI bases its knowledge and belief on information provided by third parties, and makes no representation or warranty as to the accuracy of such information. Efforts are underway to better integrate information from third parties. TI has taken and

continues to take reasonable steps to provide representative and accurate information but may not have conducted destructive testing or chemical analysis on incoming materials and chemicals. TI and TI suppliers consider certain information to be proprietary, and thus CAS numbers and other limited information may not be available for release.

In no event shall TI's liability arising out of such information exceed the total purchase price of the TI part(s) at issue in this document sold by TI to Customer on an annual basis.

**TUBE**


\*All dimensions are nominal

Device	Package Name	Package Type	Pins	SPQ	L (mm)	W (mm)	T (μm)	B (mm)
LM338T/NOPB	NDE	TO-220	3	45	502	33	6985	4.06
LM338T/NOPB.Z	NDE	TO-220	3	45	502	33	6985	4.06

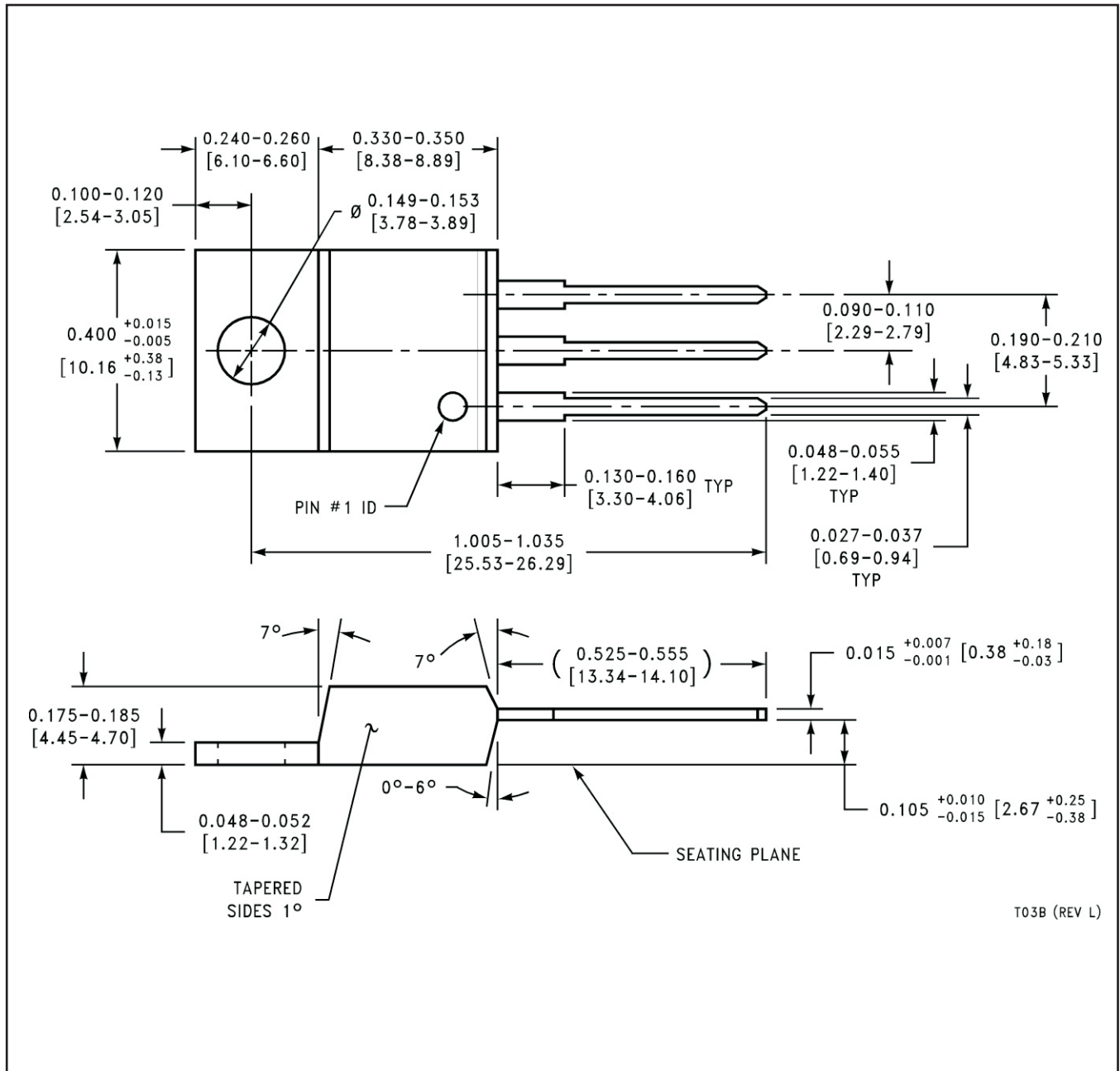
**TRAY**


Chamfer on Tray corner indicates Pin 1 orientation of packed units.

\*All dimensions are nominal

Device	Package Name	Package Type	Pins	SPQ	Unit array matrix	Max temperature (°C)	L (mm)	W (mm)	K0 (µm)	P1 (mm)	CL (mm)	CW (mm)
LM138K STEEL	NDS	TO-CAN	2	50	9 X 6	NA	292.1	215.9	25654	3.87	22.3	25.4
LM138K STEEL/NOPB	NDS	TO-CAN	2	50	9 X 6	NA	292.1	215.9	25654	3.87	22.3	25.4
LM138K-STEEL.Z	NDS	TO-CAN	2	50	9 X 6	NA	292.1	215.9	25654	3.87	22.3	25.4
LM138K-STEEL/NOPB.Z	NDS	TO-CAN	2	50	9 X 6	NA	292.1	215.9	25654	3.87	22.3	25.4

NDE0003B



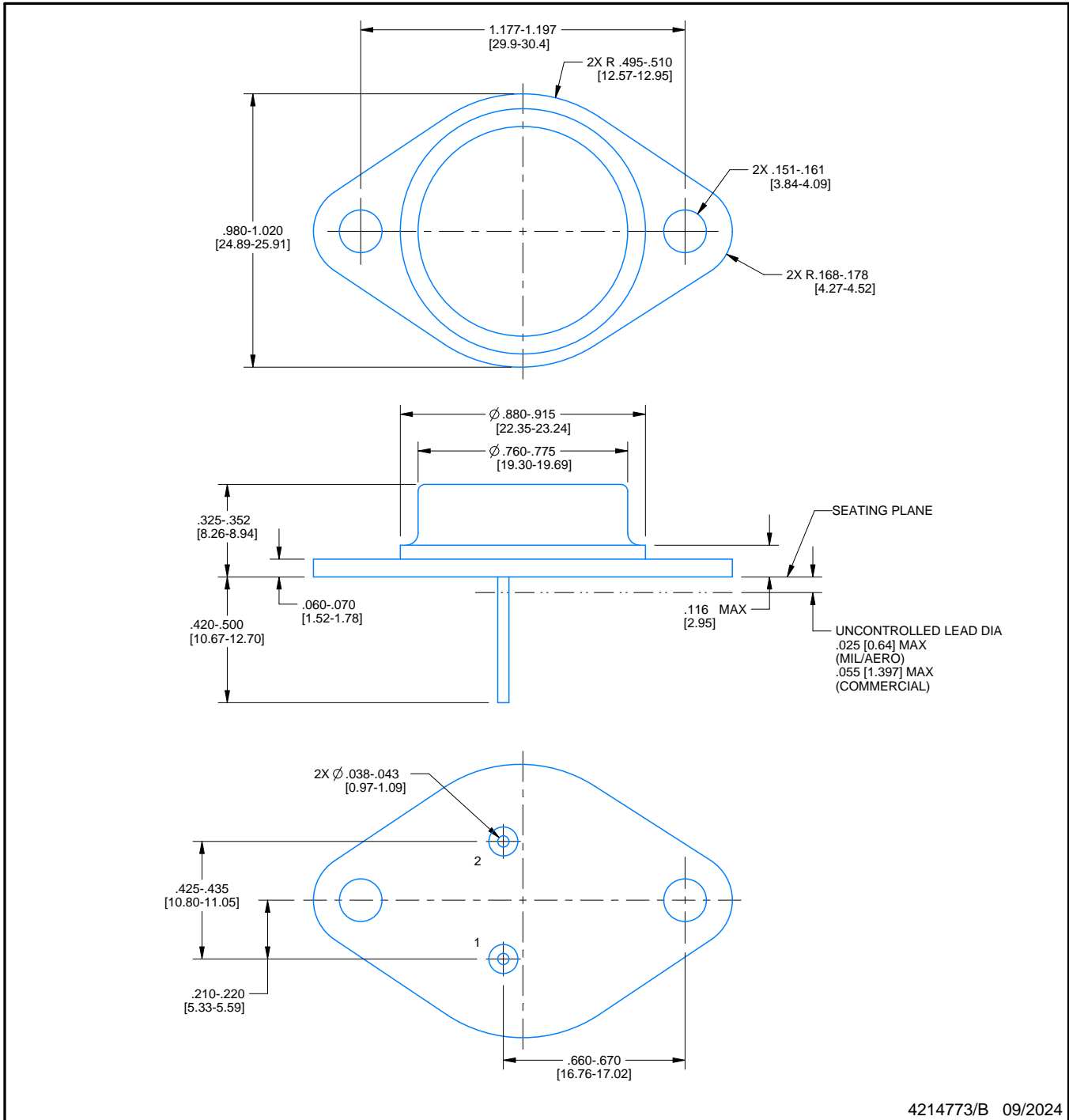
NDS0002A



# PACKAGE OUTLINE

## TO-CAN - 8.94 mm max height

TRANSISTOR OUTLINE



4214773/B 09/2024

NOTES:

1. Linear dimensions are in inches [millimeters]. Dimensions in parenthesis are for reference only. Controlling dimensions are in inches. Dimensioning and tolerancing per ASME Y14.5M.
2. This drawing is subject to change without notice.

## 重要なお知らせと免責事項

テキサス・インスツルメンツは、技術データと信頼性データ(データシートを含みます)、設計リソース(リファレンス デザインを含みます)、アプリケーションや設計に関する各種アドバイス、Web ツール、安全性情報、その他のリソースを、欠陥が存在する可能性のある「現状のまま」提供しており、商品性および特定目的に対する適合性の黙示保証、第三者の知的財産権の非侵害保証を含むいかなる保証も、明示的または黙示的にかかわらず拒否します。

これらのリソースは、テキサス・インスツルメンツ製品を使用する設計の経験を積んだ開発者への提供を意図したものです。(1) お客様のアプリケーションに適したテキサス・インスツルメンツ製品の選定、(2) お客様のアプリケーションの設計、検証、試験、(3) お客様のアプリケーションに該当する各種規格や、その他のあらゆる安全性、セキュリティ、規制、または他の要件への確実な適合に関する責任を、お客様のみが単独で負うものとし、ます。

上記の各種リソースは、予告なく変更される可能性があります。これらのリソースは、リソースで説明されているテキサス・インスツルメンツ製品を使用するアプリケーションの開発の目的でのみ、テキサス・インスツルメンツはその使用をお客様に許諾します。これらのリソースに関して、他の目的で複製することや掲載することは禁止されています。テキサス・インスツルメンツや第三者の知的財産権のライセンスが付与されている訳ではありません。お客様は、これらのリソースを自身で使用した結果発生するあらゆる申し立て、損害、費用、損失、責任について、テキサス・インスツルメンツおよびその代理人を完全に補償するものとし、テキサス・インスツルメンツは一切の責任を拒否します。

テキサス・インスツルメンツの製品は、[テキサス・インスツルメンツの販売条件](#)、または [ti.com](https://www.ti.com) やかかるテキサス・インスツルメンツ製品の関連資料などのいずれかを通じて提供する適用可能な条項の下で提供されています。テキサス・インスツルメンツがこれらのリソースを提供することは、適用されるテキサス・インスツルメンツの保証または他の保証の放棄の拡大や変更を意味するものではありません。

お客様がいかなる追加条項または代替条項を提案した場合でも、テキサス・インスツルメンツはそれらに異議を唱え、拒否します。

郵送先住所：Texas Instruments, Post Office Box 655303, Dallas, Texas 75265  
Copyright © 2025, Texas Instruments Incorporated