



VRM10.0 COMPLIANT PROGRAMMABLE FEEDBACK DIVIDER

FEATURES

- VRM 10.x VID Code Table
- 14-Pin TSSOP

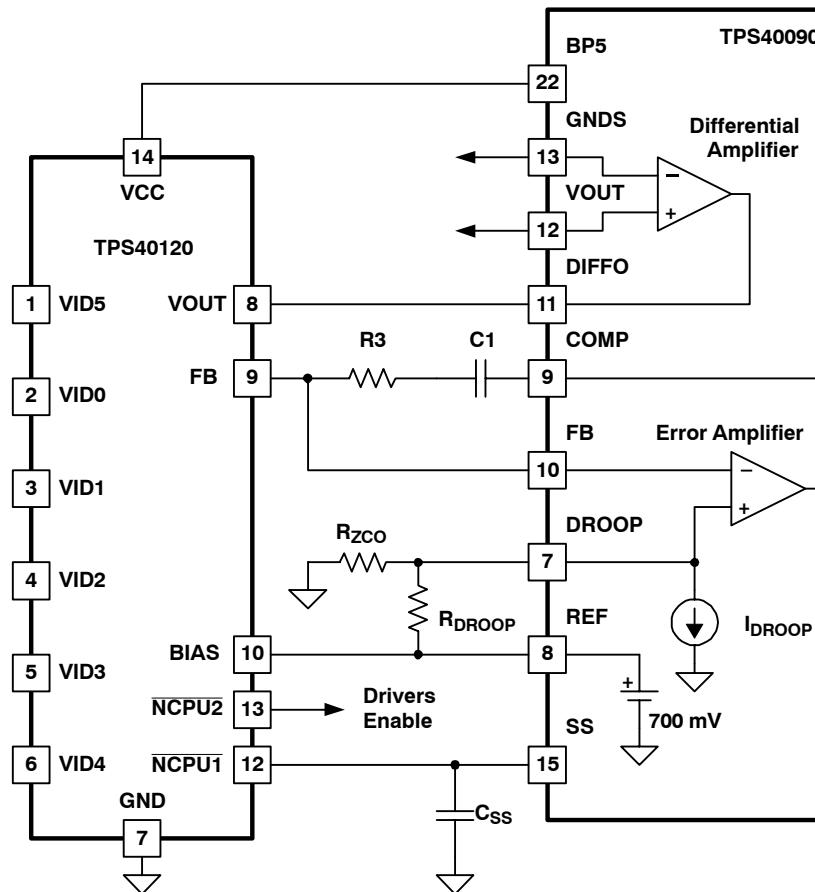
APPLICATIONS

- Voltage Regulator Modules VRM/EVRD 10.x
- Multiphase Processor Power Supplies

DESCRIPTION

The TPS40120 is a 6-bit digitally programmed feedback divider designed to work with TPS40090 multiphase controller or other controllers having 0.7-V internal reference to support VRM 10.x compliant power supplies. The TPS40120 is designed to support discrete DC/DC converters for Intel® processors using 5-bit (Pentium® 4 or Xeon™) or 6-bit VID codes with 12.5 mV steps.

TYPICAL APPLICATION



Please be aware that an important notice concerning availability, standard warranty, and use in critical applications of Texas Instruments semiconductor products and disclaimers thereto appears at the end of this data sheet.



These devices have limited built-in ESD protection. The leads should be shorted together or the device placed in conductive foam during storage or handling to prevent electrostatic damage to the MOSFET gates.

ORDERING INFORMATION

T_A	PLASTIC HTTSOP ⁽¹⁾
-40°C to 85°C	TPS40120PW

(1) The PW package is available taped and reeled. Add an R suffix to the device type (i.e. TPS40120PWR).

ABSOLUTE MAXIMUM RATING⁽¹⁾

over operating free-air temperature range unless otherwise noted

			TPS40120	UNITS
V_{IN}	Input voltage range	VID0, VID1, VID2, VID3, VID4, VID5, VOUT	-0.3 to 5.5	V
V_{OUT}	Output voltage range	FB, N _{CPU2}	-0.3 to 5.5	V
		VCC, N _{CPU1}	-0.3 to 7.0	
T_A	Operating ambient temperature range		-40 to 85	°C
T_{stg}	Storage temperature		-55 to 150	

(1) Stresses beyond those listed under "absolute maximum ratings" may cause permanent damage to the device. These are stress ratings only, and functional operation of the device at these or any other conditions beyond those indicated under "recommended operating conditions" is not implied. Exposure to absolute-maximum-rated conditions for extended periods may affect device reliability. All voltage values are with respect to the network ground terminal unless otherwise noted.

RECOMMENDED OPERATING CONDITIONS

		MIN	NOM	MAX	UNIT
Supply voltage, VCC		4.3	5.0	5.5	V
I/O voltage range	VID0, VID1, VID2, VID3, VID4, VID5, VOUT	-0.1		5.5	
Operating free-air temperature, T_A		-40		85	°C

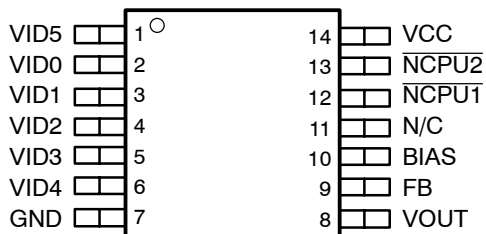
ELECTRICAL CHARACTERISTICS

over operating free-air temperature range (unless otherwise noted)

PARAMETER		TEST CONDITIONS	MIN	TYP	MAX	UNIT
V_{VCC}	Supply voltage		4.3	5.0	5.5	V
I_{VCC}	Supply current	All VID inputs low			1	mA
R_{FB}	Resistance between FB and OUT		7.5	10	14.5	kΩ
	Divider accuracy		-0.5%		0.5%	
VID_{THD}	VID input logic high		0.85			V
VID_{TLD}	VID input logic low				0.3	
I_{BIAS}	BIAS input leakage	$V_{BIAS} = 0.7 V$			100	μA
	Logic low voltage	$I_{PULLUP} = 1 mA$			0.8	V
	Logic high leakage current				1	μA
	No CPU output voltage	$I_{L(SNK)} = 0.5 mA, I_{L(SRC)} = 0.5 mA$	$V_{VSS} + 0.5$		$V_{VCC} - 0.5$	V

DEVICE INFORMATION

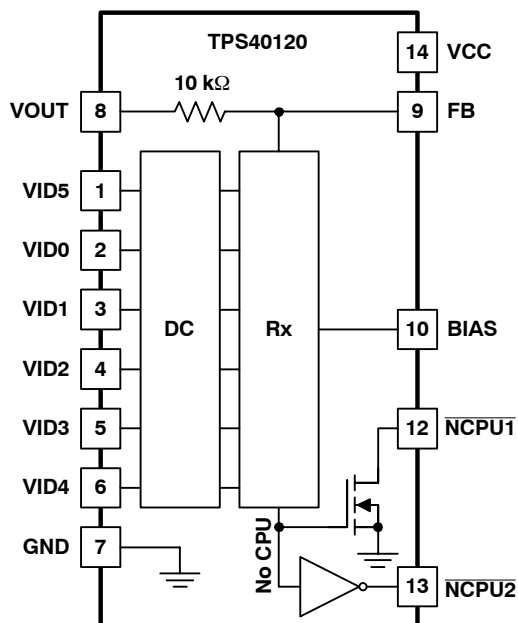
**PW PACKAGE
(TOP VIEW)**



TERMINAL FUNCTIONS

TERMINAL		I/O	DESCRIPTION
NAME	NO.		
BIAS	10	I	Provides controller's reference voltage into the divider for improved tolerance.
FB	9	O	Middle point of the feedback divider connected to the inverting input of the controller's error amplifier
GND	7	-	Signal ground pin.
$\overline{\text{NCPU1}}$	12	O	Signals no CPU state. VID = x11111. Open drain output.
$\overline{\text{NCPU2}}$	13	O	Signals no CPU state. VID = x11111. TTL logic output.
VCC	14	I	Power to the device.
VID0	2	I	Voltage identification inputs. V_{REF} voltage is set in accordance with VRM 10.x codes applied to these pins.
VID1	3	I	
VID2	4	I	
VID3	5	I	
VID4	6	I	
VID5	1	I	
VOUT	8	I	This pin is connected to the output of the VR module or to the output of the differential amplifier of the TPS40090 controller.

FUNCTIONAL BLOCK DIAGRAM



DETAILED DESCRIPTION

Operation

The digitally programmed feedback divider TPS40120 substitutes for a discrete output voltage set-divider and allows for multiphase PWM controllers such as the TPS4009x, TPS40130 and with internal reference of 0.7 V to provide voltage identification (VID) feature to power supply designs.

The TPS40120 operates as a resistive divider with constant value of the upper resistor and variable and code determined value of the lower resistor, refer to the functional block diagram. The VID code truth table is presented in Table 1.

Dynamic VID

Most modern processors adjust their core voltage depending on the workload and clock frequency by commanding voltage identification (VID) codes to the power supply. The power supply reads these VID codes and adjusts the output voltage in a control manner per processor requirements. To provide safe transition from one VID code to another (and to ensure that no erroneous output voltage is produced by the power supply), the TPS40120 VID inputs have internal anti-skew circuit with approximately 500 ns of filtering time. With a rate of change of 12.5 mV in 5 μ s, nothing else is required to achieve smooth upward and downward core voltage transitions. See Figure 1 and Figure 2.

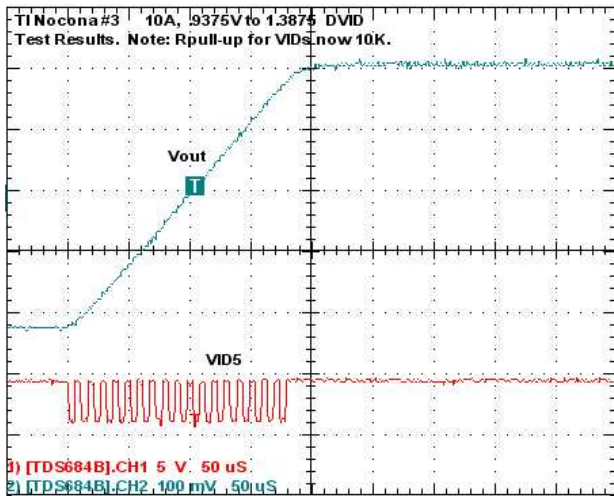


Figure 1. VID Step-Up Transition

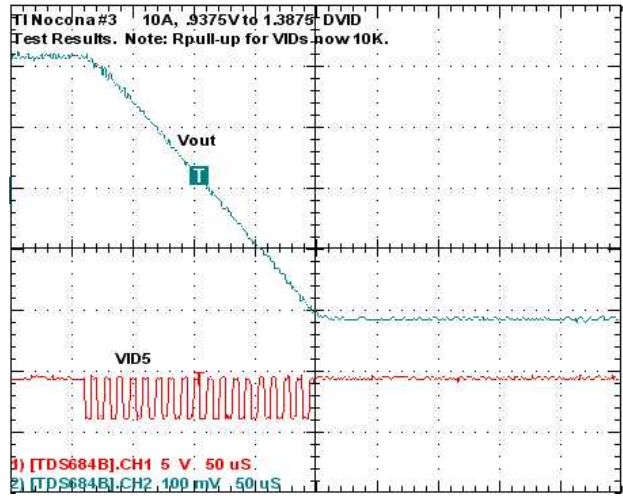


Figure 2. VID Step-Down Transition

DETAILED DESCRIPTION (continued)

Table 1. Voltage Identification (VID)

PROCESSOR PINS (0=LOW, 1=HIGH)						V _{REF} (V)
VID4	VID3	VID2	VID1	VID0	VID5	
0	1	0	1	0	0	0.8375
0	1	0	0	1	1	0.8500
0	1	0	0	1	0	0.8625
0	1	0	0	0	1	0.8750
0	1	0	0	0	0	0.8875
0	0	1	1	1	1	0.9000
0	0	1	1	1	0	0.9125
0	0	1	1	0	1	0.9250
0	0	1	1	0	0	0.9375
0	0	1	0	1	1	0.9500
0	0	1	0	1	0	0.9625
0	0	1	0	0	1	0.9750
0	0	1	0	0	0	0.9875
0	0	0	1	1	1	1.0000
0	0	0	1	1	0	1.0125
0	0	0	1	0	1	1.0250
0	0	0	1	0	0	1.0375
0	0	0	0	1	1	1.0500
0	0	0	0	1	0	1.0625
0	0	0	0	0	1	1.075
0	0	0	0	0	0	1.0875
1	1	1	1	1	1	OFF ⁽¹⁾
1	1	1	1	1	0	OFF ⁽¹⁾
1	1	1	1	0	1	1.1000
1	1	1	1	0	0	1.1125
1	1	1	0	1	1	1.1250
1	1	1	0	1	0	1.1375
1	1	1	0	0	1	1.1500
1	1	1	0	0	0	1.1625
1	1	0	1	1	1	1.1750
1	1	0	1	1	0	1.1875
1	1	0	1	0	1	1.2000
1	1	0	1	0	0	1.2125
1	1	0	0	1	1	1.2250
1	1	0	0	1	0	1.2375
1	1	0	0	0	1	1.2500
1	1	0	0	0	0	1.2625
1	0	1	1	1	1	1.2750
1	0	1	1	1	0	1.2875
1	0	1	1	0	1	1.3000
1	0	1	1	0	0	1.3125
1	0	1	0	1	1	1.3250
1	0	1	0	1	0	1.3375
1	0	1	0	0	1	1.3500

(1) $\overline{\text{NCPU1}}$ and $\overline{\text{NCPU2}}$ outputs go low.

DETAILED DESCRIPTION (continued)**Table 1. Voltage Identification (VID) (continued)**

PROCESSOR PINS (0=LOW, 1=HIGH)						V _{REF} (V)
VID4	VID3	VID2	VID1	VID0	VID5	
1	0	1	0	0	0	1.3625
1	0	0	1	1	1	1.3750
1	0	0	1	1	0	1.3875
1	0	0	1	0	1	1.4000
1	0	0	1	0	0	1.4125
1	0	0	0	1	1	1.4250
1	0	0	0	1	0	1.4375
1	0	0	0	0	1	1.4500
1	0	0	0	0	0	1.4625
0	1	1	1	1	1	1.4750
0	1	1	1	1	0	1.4875
0	1	1	1	0	1	1.5000
0	1	1	1	0	0	1.5125
0	1	1	0	1	1	1.5250
0	1	1	0	1	0	1.5375
0	1	1	0	0	1	1.5500
0	1	1	0	0	0	1.5625
0	1	0	1	1	1	1.5750
0	1	0	1	1	0	1.5875
0	1	0	1	0	1	1.6000

APPLICATION INFORMATION

Typical application circuit for TPS40120 and TPS40090 combination is presented on the front page. Normally, the TPS40120 accepts power from the BP5 pin of the TPS40090 multiphase controller which simplifies its enable/disable control. The upper resistor of the programmable divider (pin 8) is connected to the output of the differential amplifier DIFFO. The center tap of the divider (pin 9) is connected to the joint point of the FB pin of the multi-phase controller and error amplifier compensation network. TPS40120 has two logic $\overline{\text{NCPU}}_x$ outputs that can be used to control output and the gate drivers in a multi-phase power supply when no-CPU code is asserted. The $\overline{\text{NCPU}}_1$ output is an open drain that can be useful by discharging the soft-start capacitor and bringing the output voltage down. The push-pull $\overline{\text{NCPU}}_2$ output can be used to control gate drivers to provide high impedance of the power supply output in off state.

The application circuit for a four-phase 105-A CPU VRM10.x compliant power supply is shown in Figure 3.

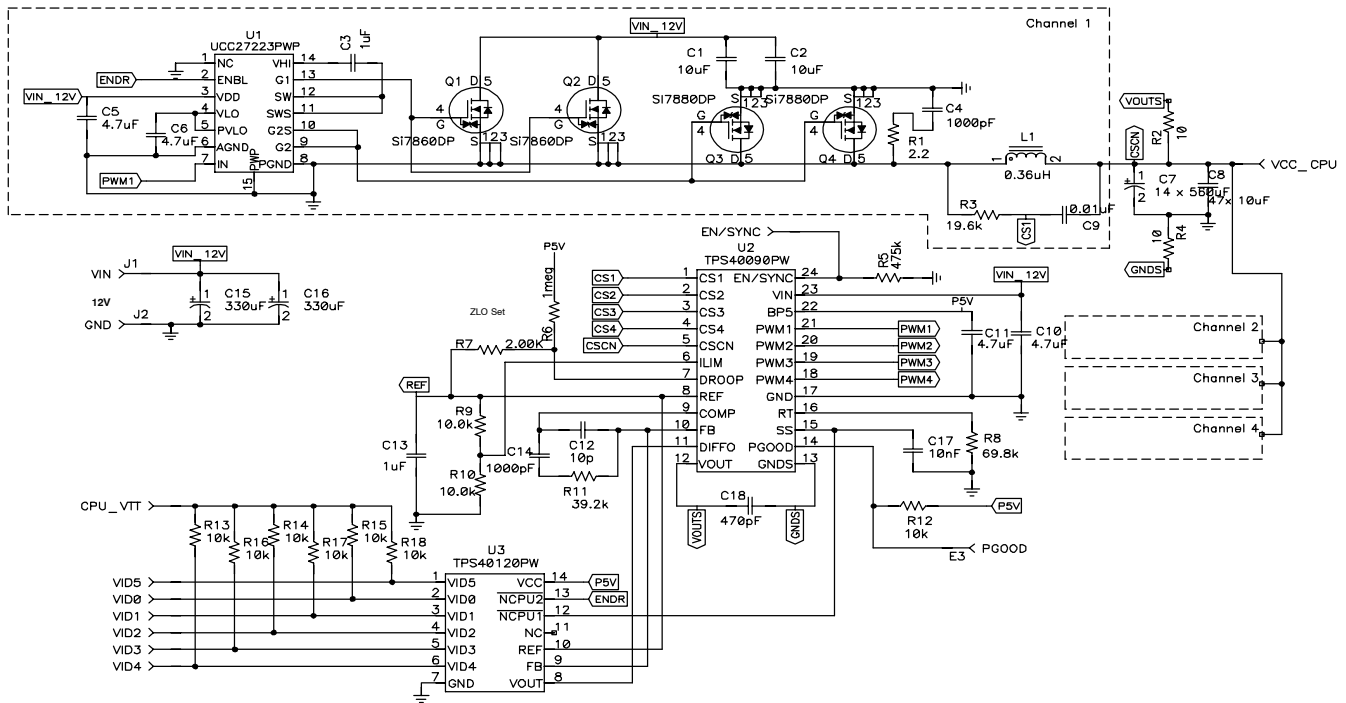


Figure 3. VRM 10.x Compliant CPU Power Supply

For detailed information on TPS40090 multiphase controller and design example request the TPS4009x datasheet (SLUS578) and the user's guide (SLUU026).

PACKAGING INFORMATION

Orderable Device	Status (1)	Package Type	Package Drawing	Pins	Package Qty	Eco Plan (2)	Lead/Ball Finish (6)	MSL Peak Temp (3)	Op Temp (°C)	Device Marking (4/5)	Samples
TPS40120PW	ACTIVE	TSSOP	PW	14	90	Green (RoHS & no Sb/Br)	NIPDAU	Level-1-260C-UNLIM	-40 to 85	40120	Samples
TPS40120PWG4	ACTIVE	TSSOP	PW	14	90	Green (RoHS & no Sb/Br)	NIPDAU	Level-1-260C-UNLIM	-40 to 85	40120	Samples
TPS40120PWR	ACTIVE	TSSOP	PW	14	2000	Green (RoHS & no Sb/Br)	NIPDAU	Level-1-260C-UNLIM	-40 to 85	40120	Samples
TPS40120PWRG4	ACTIVE	TSSOP	PW	14	2000	Green (RoHS & no Sb/Br)	NIPDAU	Level-1-260C-UNLIM	-40 to 85	40120	Samples

(1) The marketing status values are defined as follows:

ACTIVE: Product device recommended for new designs.

LIFEBUY: TI has announced that the device will be discontinued, and a lifetime-buy period is in effect.

NRND: Not recommended for new designs. Device is in production to support existing customers, but TI does not recommend using this part in a new design.

PREVIEW: Device has been announced but is not in production. Samples may or may not be available.

OBSOLETE: TI has discontinued the production of the device.

(2) **RoHS:** TI defines "RoHS" to mean semiconductor products that are compliant with the current EU RoHS requirements for all 10 RoHS substances, including the requirement that RoHS substance do not exceed 0.1% by weight in homogeneous materials. Where designed to be soldered at high temperatures, "RoHS" products are suitable for use in specified lead-free processes. TI may reference these types of products as "Pb-Free".

RoHS Exempt: TI defines "RoHS Exempt" to mean products that contain lead but are compliant with EU RoHS pursuant to a specific EU RoHS exemption.

Green: TI defines "Green" to mean the content of Chlorine (Cl) and Bromine (Br) based flame retardants meet JS709B low halogen requirements of <=1000ppm threshold. Antimony trioxide based flame retardants must also meet the <=1000ppm threshold requirement.

(3) MSL, Peak Temp. - The Moisture Sensitivity Level rating according to the JEDEC industry standard classifications, and peak solder temperature.

(4) There may be additional marking, which relates to the logo, the lot trace code information, or the environmental category on the device.

(5) Multiple Device Markings will be inside parentheses. Only one Device Marking contained in parentheses and separated by a "-" will appear on a device. If a line is indented then it is a continuation of the previous line and the two combined represent the entire Device Marking for that device.

(6) Lead/Ball Finish - Orderable Devices may have multiple material finish options. Finish options are separated by a vertical ruled line. Lead/Ball Finish values may wrap to two lines if the finish value exceeds the maximum column width.

Important Information and Disclaimer: The information provided on this page represents TI's knowledge and belief as of the date that it is provided. TI bases its knowledge and belief on information provided by third parties, and makes no representation or warranty as to the accuracy of such information. Efforts are underway to better integrate information from third parties. TI has taken and

continues to take reasonable steps to provide representative and accurate information but may not have conducted destructive testing or chemical analysis on incoming materials and chemicals. TI and TI suppliers consider certain information to be proprietary, and thus CAS numbers and other limited information may not be available for release.

In no event shall TI's liability arising out of such information exceed the total purchase price of the TI part(s) at issue in this document sold by TI to Customer on an annual basis.

TAPE AND REEL INFORMATION
REEL DIMENSIONS

TAPE DIMENSIONS


A0	Dimension designed to accommodate the component width
B0	Dimension designed to accommodate the component length
K0	Dimension designed to accommodate the component thickness
W	Overall width of the carrier tape
P1	Pitch between successive cavity centers

TAPE AND REEL INFORMATION

*All dimensions are nominal

Device	Package Type	Package Drawing	Pins	SPQ	Reel Diameter (mm)	Reel Width W1 (mm)	A0 (mm)	B0 (mm)	K0 (mm)	P1 (mm)	W (mm)	Pin1 Quadrant
TPS40120PWR	TSSOP	PW	14	2000	330.0	12.4	6.9	5.6	1.6	8.0	12.0	Q1

TAPE AND REEL BOX DIMENSIONS



*All dimensions are nominal

Device	Package Type	Package Drawing	Pins	SPQ	Length (mm)	Width (mm)	Height (mm)
TPS40120PWR	TSSOP	PW	14	2000	367.0	367.0	35.0

PW (R-PDSO-G14)

PLASTIC SMALL OUTLINE



4040064-3/G 02/11

- NOTES:
- A. All linear dimensions are in millimeters. Dimensioning and tolerancing per ASME Y14.5M-1994.
 - B. This drawing is subject to change without notice.
 - C. Body length does not include mold flash, protrusions, or gate burrs. Mold flash, protrusions, or gate burrs shall not exceed 0,15 each side.
 - D. Body width does not include interlead flash. Interlead flash shall not exceed 0,25 each side.
 - E. Falls within JEDEC MO-153

PW (R-PDSO-G14)

PLASTIC SMALL OUTLINE



- NOTES:
- All linear dimensions are in millimeters.
 - This drawing is subject to change without notice.
 - Publication IPC-7351 is recommended for alternate designs.
 - Laser cutting apertures with trapezoidal walls and also rounding corners will offer better paste release. Customers should contact their board assembly site for stencil design recommendations. Refer to IPC-7525 for other stencil recommendations.
 - Customers should contact their board fabrication site for solder mask tolerances between and around signal pads.

IMPORTANT NOTICE AND DISCLAIMER

TI PROVIDES TECHNICAL AND RELIABILITY DATA (INCLUDING DATASHEETS), DESIGN RESOURCES (INCLUDING REFERENCE DESIGNS), APPLICATION OR OTHER DESIGN ADVICE, WEB TOOLS, SAFETY INFORMATION, AND OTHER RESOURCES "AS IS" AND WITH ALL FAULTS, AND DISCLAIMS ALL WARRANTIES, EXPRESS AND IMPLIED, INCLUDING WITHOUT LIMITATION ANY IMPLIED WARRANTIES OF MERCHANTABILITY, FITNESS FOR A PARTICULAR PURPOSE OR NON-INFRINGEMENT OF THIRD PARTY INTELLECTUAL PROPERTY RIGHTS.

These resources are intended for skilled developers designing with TI products. You are solely responsible for (1) selecting the appropriate TI products for your application, (2) designing, validating and testing your application, and (3) ensuring your application meets applicable standards, and any other safety, security, or other requirements. These resources are subject to change without notice. TI grants you permission to use these resources only for development of an application that uses the TI products described in the resource. Other reproduction and display of these resources is prohibited. No license is granted to any other TI intellectual property right or to any third party intellectual property right. TI disclaims responsibility for, and you will fully indemnify TI and its representatives against, any claims, damages, costs, losses, and liabilities arising out of your use of these resources.

TI's products are provided subject to TI's Terms of Sale (www.ti.com/legal/termsofsale.html) or other applicable terms available either on ti.com or provided in conjunction with such TI products. TI's provision of these resources does not expand or otherwise alter TI's applicable warranties or warranty disclaimers for TI products.

Mailing Address: Texas Instruments, Post Office Box 655303, Dallas, Texas 75265
Copyright © 2020, Texas Instruments Incorporated