

DS90UB933-Q1EVM User's Guide

The Texas Instruments DS90UB933-Q1EVM Evaluation Module (EVM) provides an easy way to evaluate the operation and performance of the DS90UB933-Q1 FPD-Link III Serializer.

Trademarks

All trademarks are the property of their respective owners.

1 Overview

Other components required: Power supply (12 V), 50-Ω coaxial cable, and a compatible deserializer board such as DS90UB934. ^{(1) (2)}

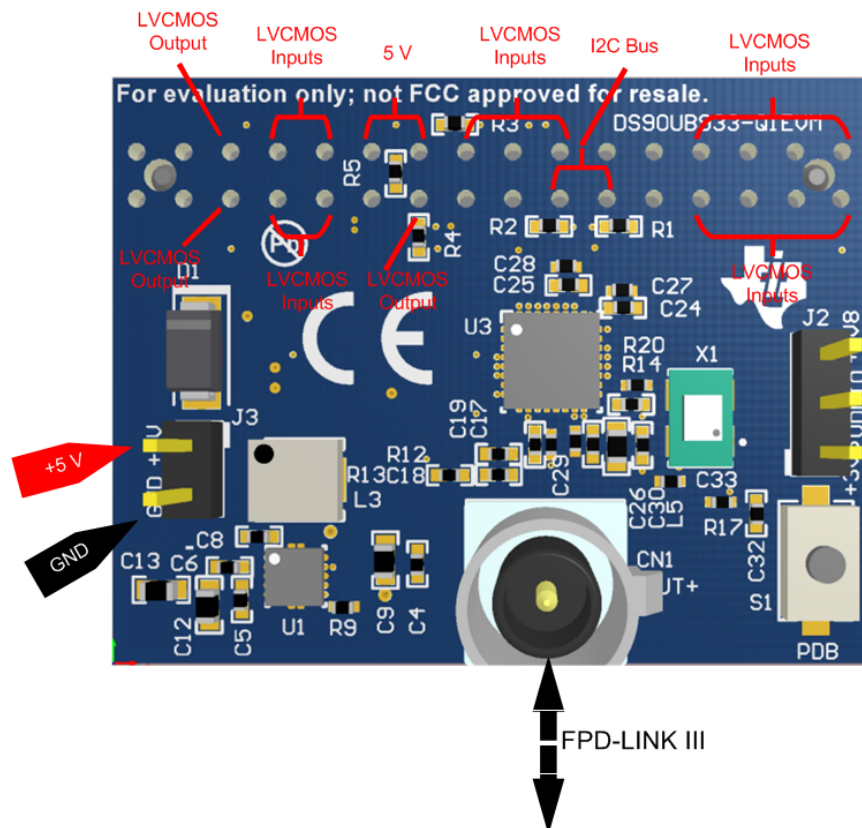


Figure 1. DS90UB933-Q1EVM

Specification for orderable coax cable: ⁽³⁾

Water Blue, FAKRA Jack to FAKRA Jack Cable, 60-inch length, using RG174 Coax cable. EVM boards have SMB connector mounted as shown in [Figure 1](#).

- ⁽¹⁾ Coax cable is not provided with the EVM.
- ⁽²⁾ Boards are configured to transmit power over coax cable, hence connect power to Deserializer board only.
- ⁽³⁾ Not a specific recommendation, for evaluation purpose only.

2 Operation with Deserializer

Make sure jumper is placed between positions 2 and 3 (VDDIO and +1V8) on J2.

1. Connect the DS90UB933-Q1 and Deserializer board using a coax cable.
2. Ensure Power over Coax is configured with $5V \leq V_{PoC} \leq 9V$.
3. Connect the 12-V power supply to Deserializer board (recommended current limit is 500 mA) and apply power.
4. Look for the LED D2 to light up on the Deserializer board (if applicable).
 - If the LED is lit and stable, then the Deserializer is LOCKED to the FPD-Link III serial stream... CONGRATULATIONS, you are up and running!
 - If not, continue to the next section.

3 Troubleshooting the EVM Setup

1. Check power supply polarity.

WARNING
Reverse supply polarity can damage the board.

2. Check power over Coax configuration on deserializer board. Make sure correct voltage is applied ($5V \leq V_{PoC} \leq 9V$). (Refer to Deserializer's user guide for jumper setup)
3. Check to make sure there is sufficient current (500 mA) by checking that the voltage (12 V) is correctly applied to deserializer using DMM.
4. Check to make sure there is a FPD-Link III signal by probing on both C17 AND C19.
5. Monitor the LOCK signal using oscilloscope on DES board. Do not rely on visual inspection of Lock LED present on deserializer board.
6. With no PCLK input applied on SER board, PCLK output frequency on DES board should be 50MHz for the default settings.

Table 1. PCLK Output (on DES) without Applying PCLK Input (on SER)

Mode Selected	PCLK Output Expected
10 bit mode (default mode)	50 MHz
12 bit high frequency mode	37.5 MHz

7. Go back to to double check factory settings.

4 Board Setup Details

This section describes the connectors and jumpers on the board as well as how to properly connect, set up and use the DS90UB933-Q1EVM in detail.

4.1 Power Connections

1. Connect an external 12 V to the Deserializer board. (Refer to Deserializer's user guide for specific pins)
2. Connect ground to Deserializer board. (Refer to Deserializer's user guide for specific pins)
3. Since boards are configured to transmit power over coax cable (PoC), it is not required to connect external power to Serializer, unless PoC is not used.

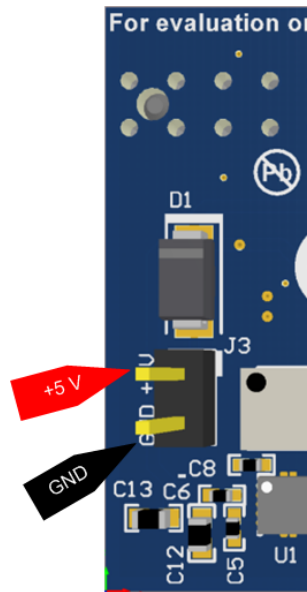


Figure 2. Powering DS90UB933-Q1EVM

4.2 FPD-Link III Connection

The FPD-Link III serial stream comes out of CN1 on Serializer board as a single ended signal. Connect it to J1 on the Deserializer board. DOUT- on serializer and RIN1- on deserializer are terminated to ground through 47-nF capacitor in series with 50Ω resistance.

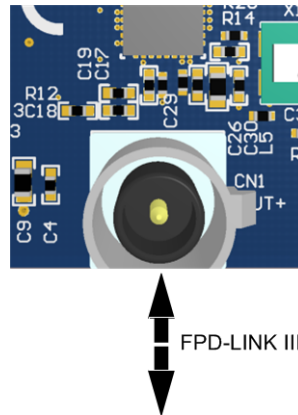


Figure 3. Serial Link Connection Using a Single 50-Ω Coaxial Cable

4.3 LVCMOS Input Connector Description (on DS90UB933-Q1 Board)

J1 – GPO0, GPO1, CLK OUT, CLK IN, DIN[11:0], HSYNC, VSYNC, PCLK IN are the input pins for the LVCMOS interface on Serializer board. Refer to Figure 4 below.

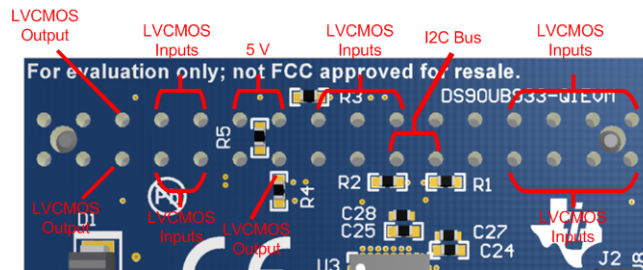


Figure 4. Parallel Input Connector on Serializer Board

4.4 Factory Set Switch Settings and Jumpers Default Configuration

4.4.1 Serializer Board Default Configuration

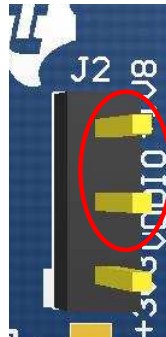


Figure 5. Switch S2: Default Settings on Serializer Board

1. Mode Select Resistor R19 is default set to 4.7k Ω for external oscillator mode. Replace R19 with 100k Ω for PCLK from imager mode.
2. On J2, a 3-pin header is factory placed as shown in. This selects power from U2 for 1.8V VDDIO and **does not have the 3.3V VDDIO option internally.**

5 Using I²C

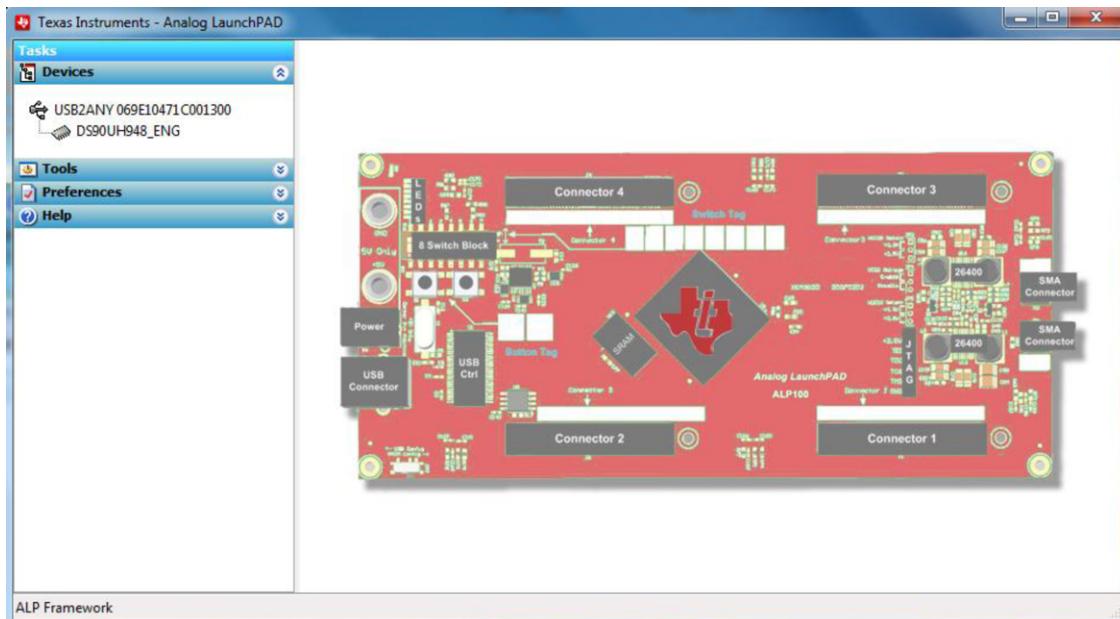
5.1 Default Addresses

The default 7-bit I²C address of DS90UB933-Q1 is set to 0x58 (101 1000) using suitable resistor divider on ID[x] pin. Change resistor R15 and R16 to change the address of this device, refer device datasheet for more information.

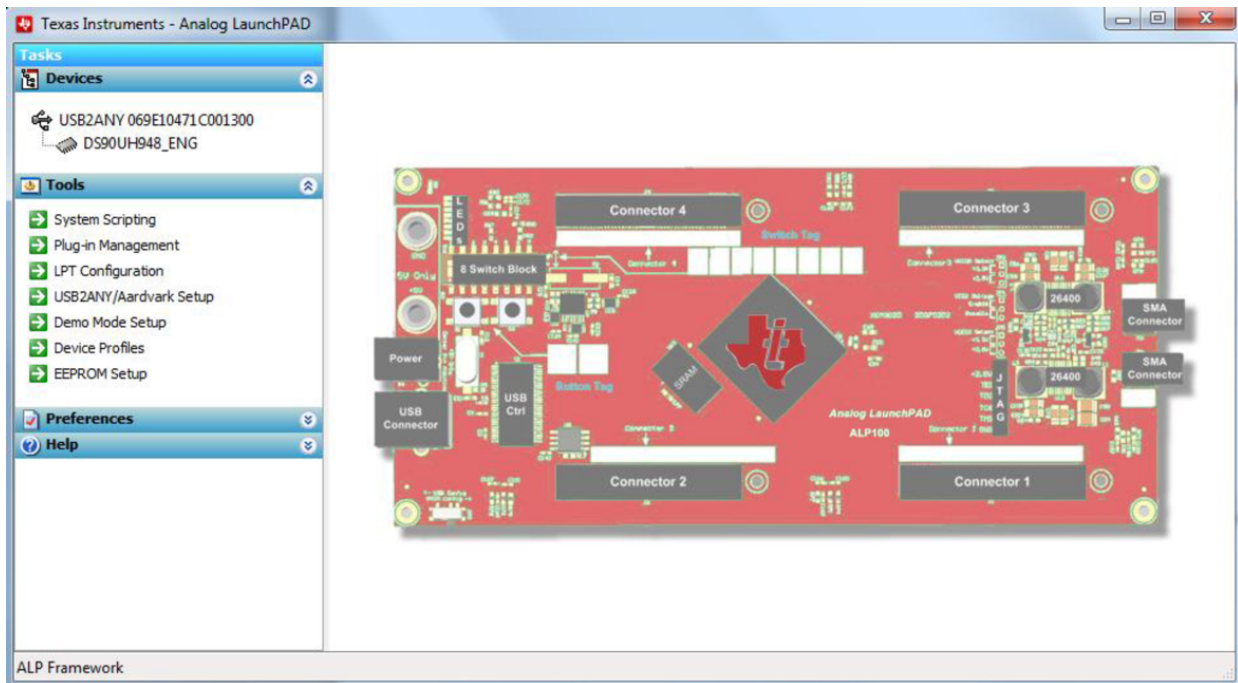
5.2 Analog Launch Pad (ALP)

A USB2ANY is required to use interactive GUI over I²C such as ALP. Download and install ALP from: <http://www.ti.com/tool/ALP>. This is what ALP should look like when launched while connected to a USB2ANY. The part number on the left may be different, or there may not be one, but the key is that it will say USB2ANY...' under Devices.

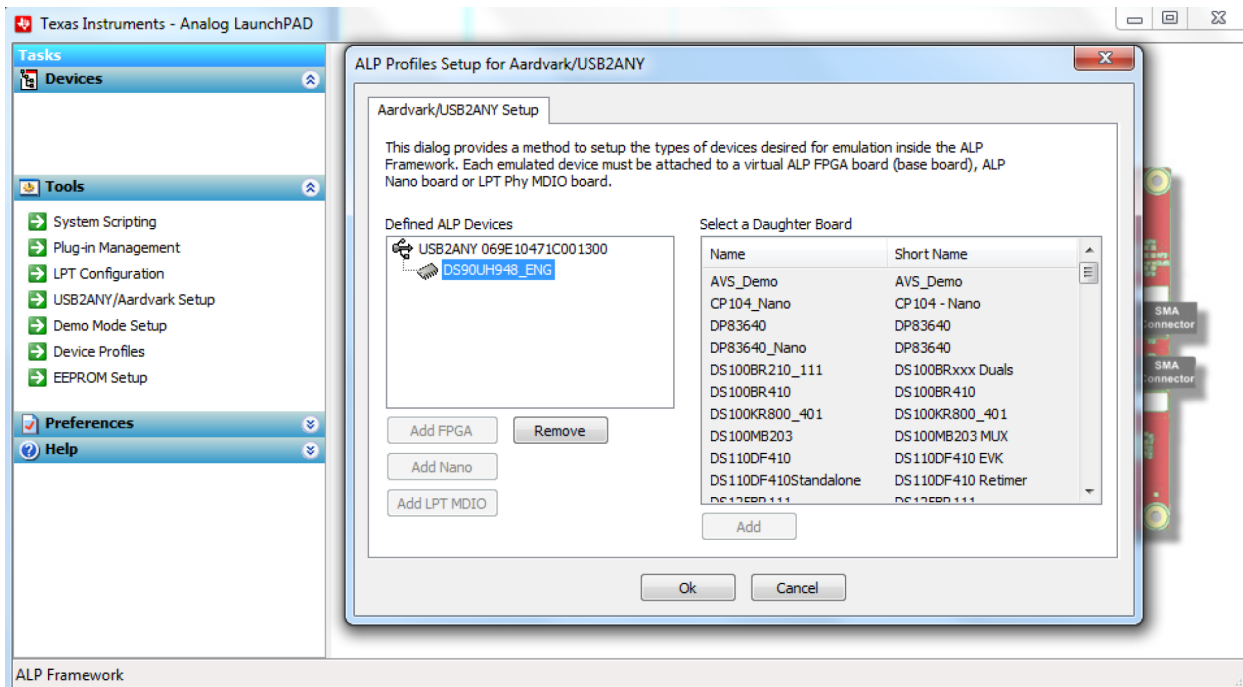
In practice the DS90UB933-Q1EVM is programmed by the deserializer such as the DS90UB934 EVM. The deserializers typically have the USB2ANY's I²C programming functionality integrated into the EVM. The DS90UB933-Q1EVM does not contain a USB2ANY in its kit.



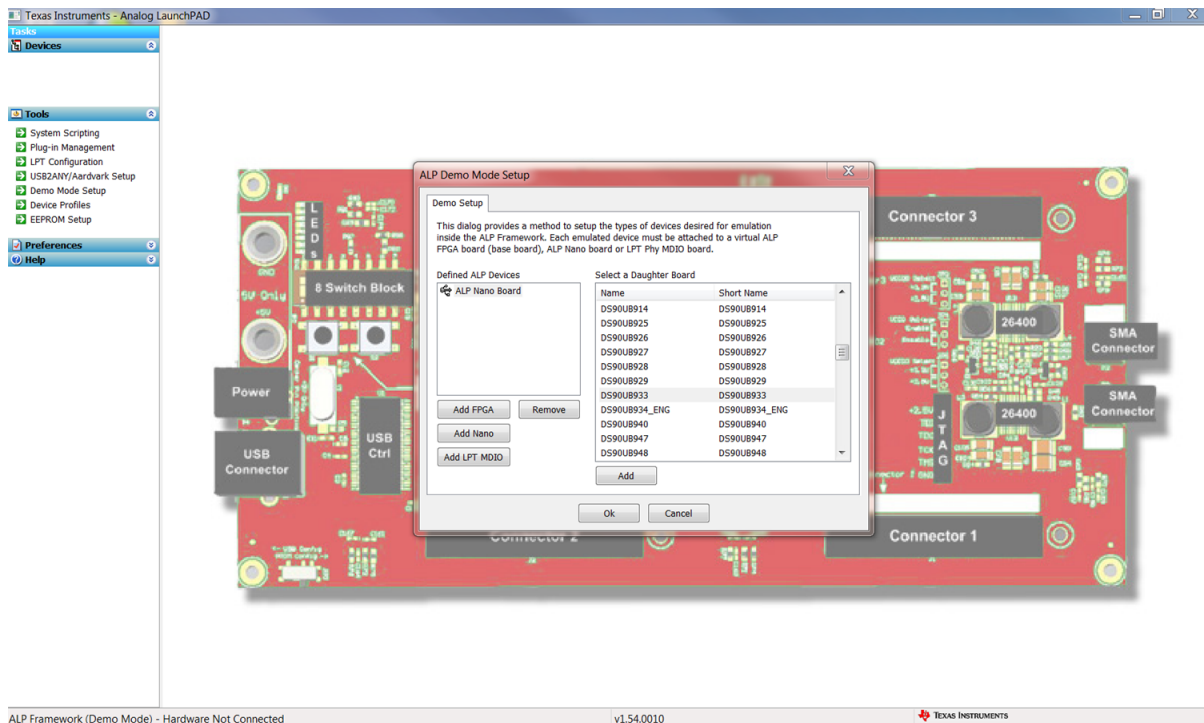
Expand the Tools panel and select USB2ANY/Aardvark Setup.



If there is already a device listed in the menu, then select it and click *Remove*

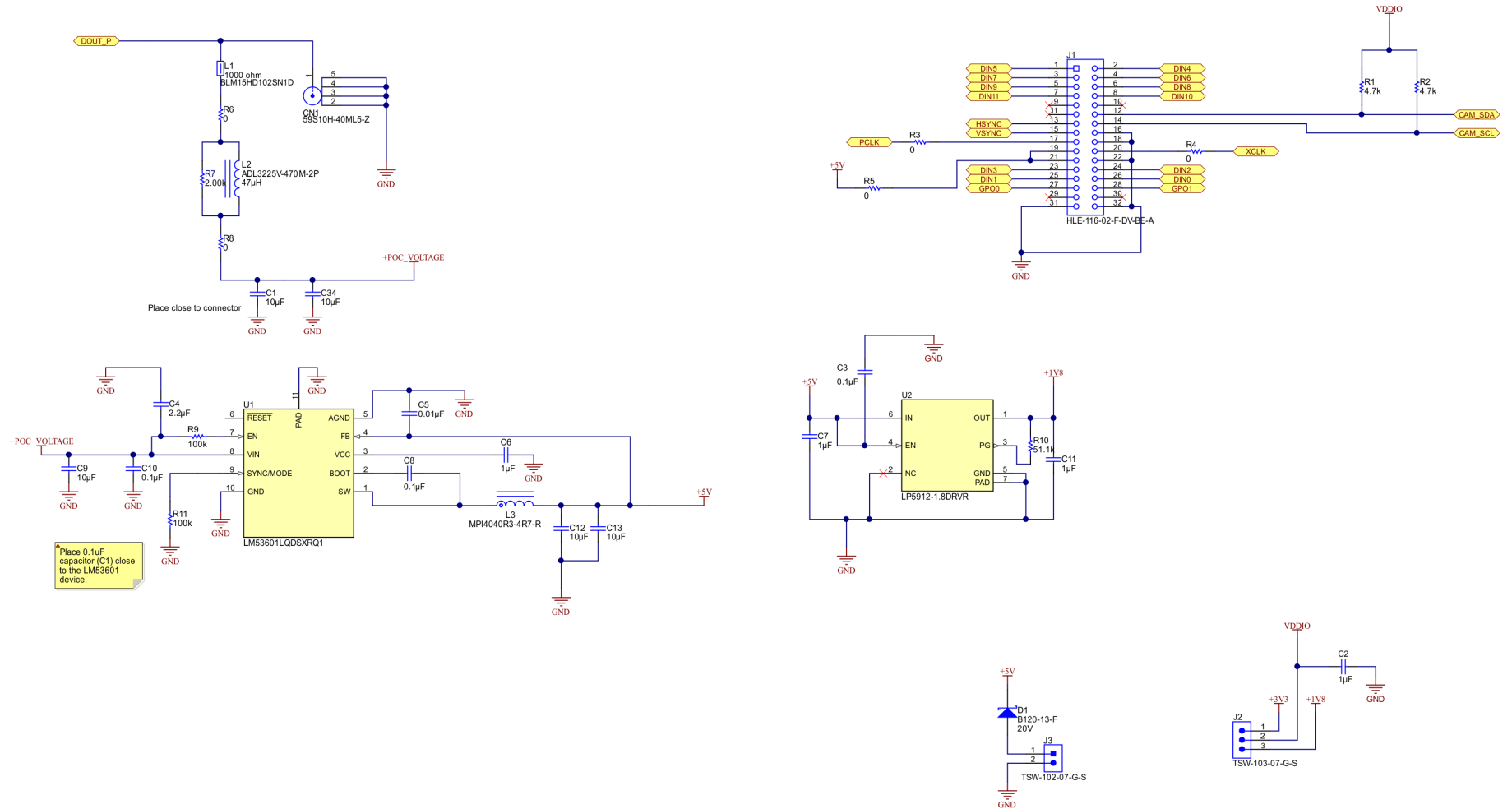


Once it has been removed (or if there wasn't one to begin with), select the EVM name from the list on the right and click *Add*. If you plan on using a deserializer to program the DS90UB933-Q1EVM, select the deserializer name if you have it connected instead.



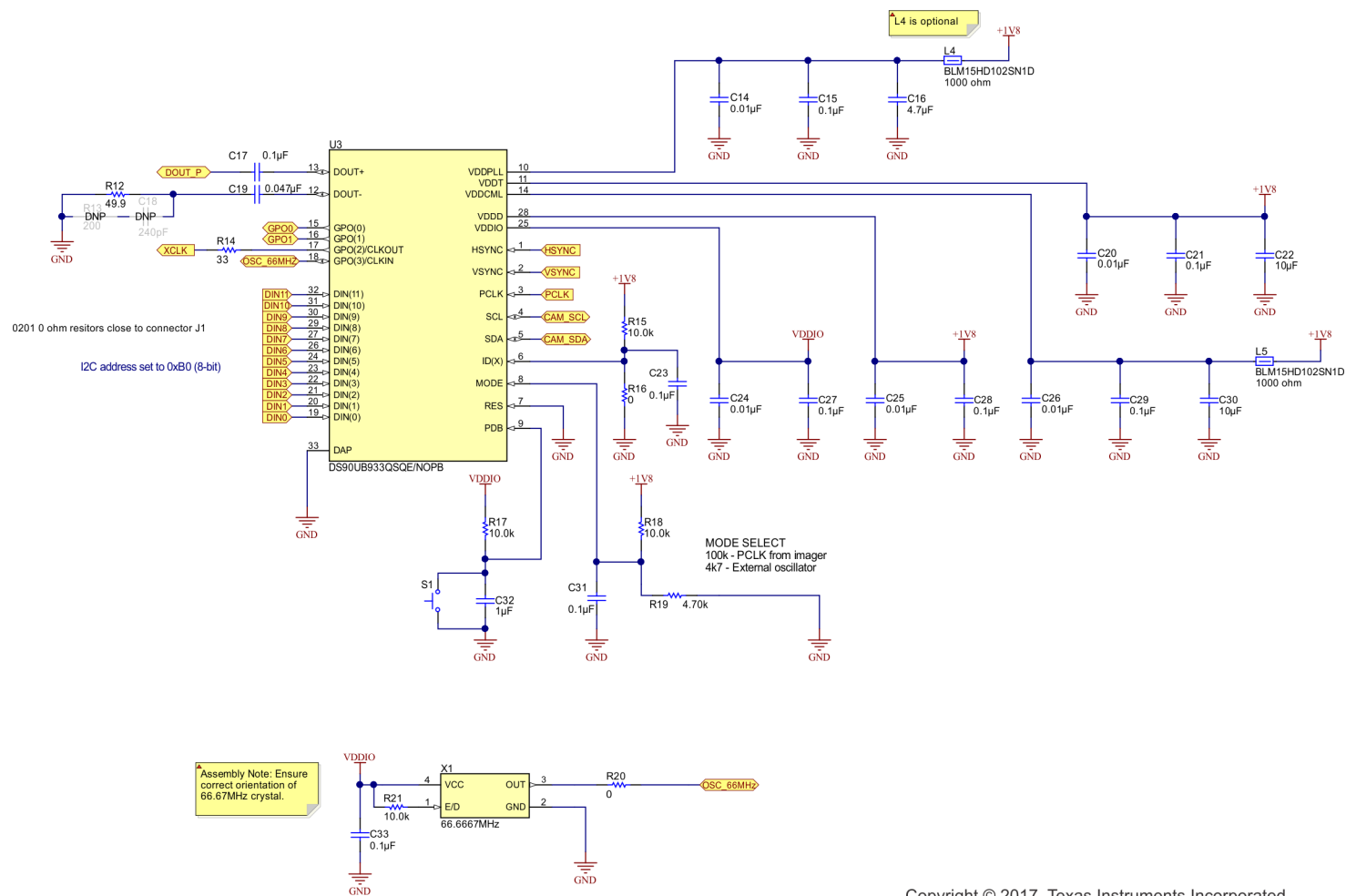
6 Schematics

Figure 6. DS90UB933-Q1 Serializer



Copyright © 2017, Texas Instruments Incorporated

Figure 7. Power to Serializer Board and Header

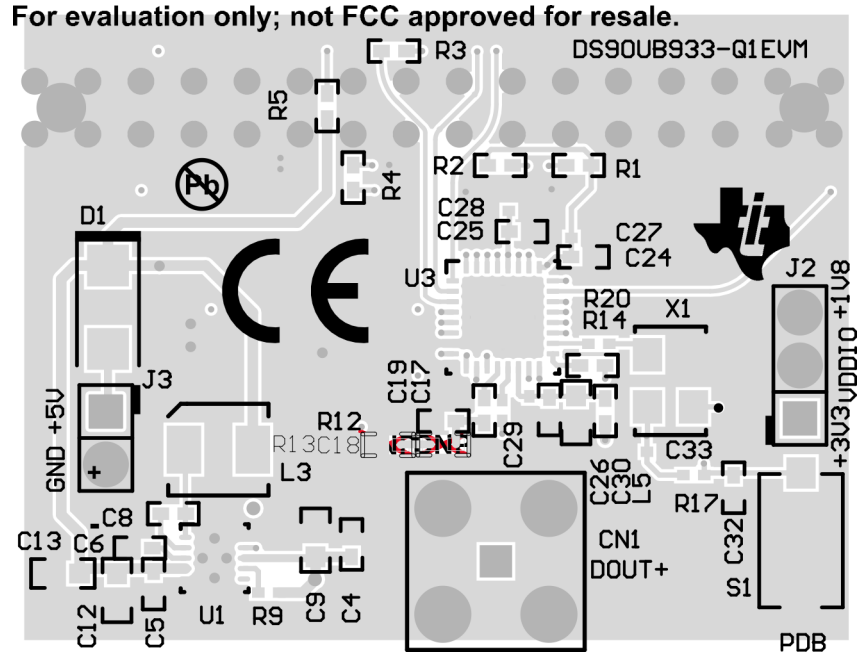


Copyright © 2017, Texas Instruments Incorporated

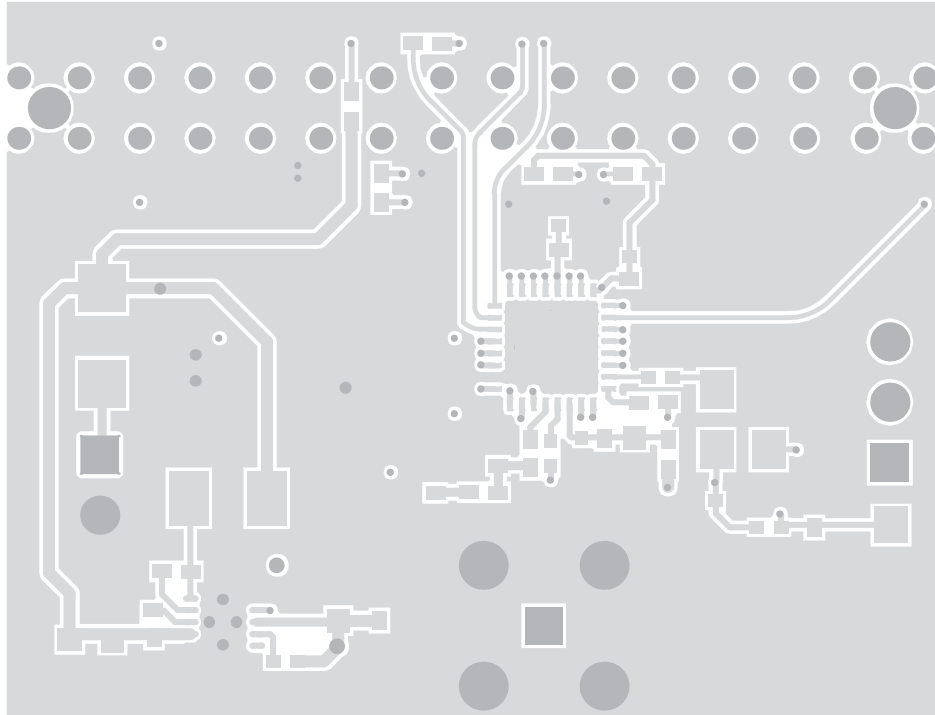
7 PCB Layout

7.1 DS90UB933-Q1EVM Serializer Board Layout

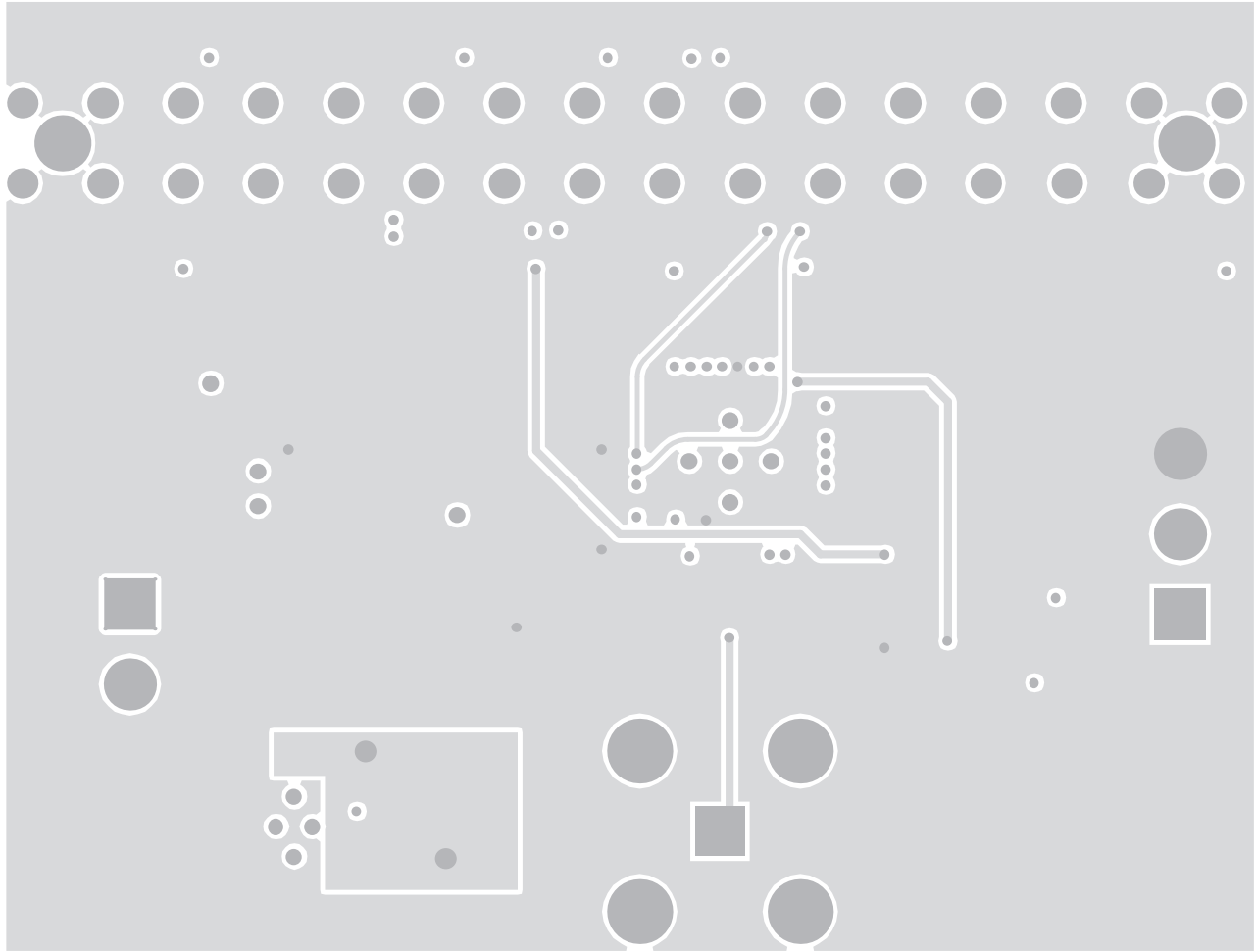
1. DS90UB933-Q1EVM



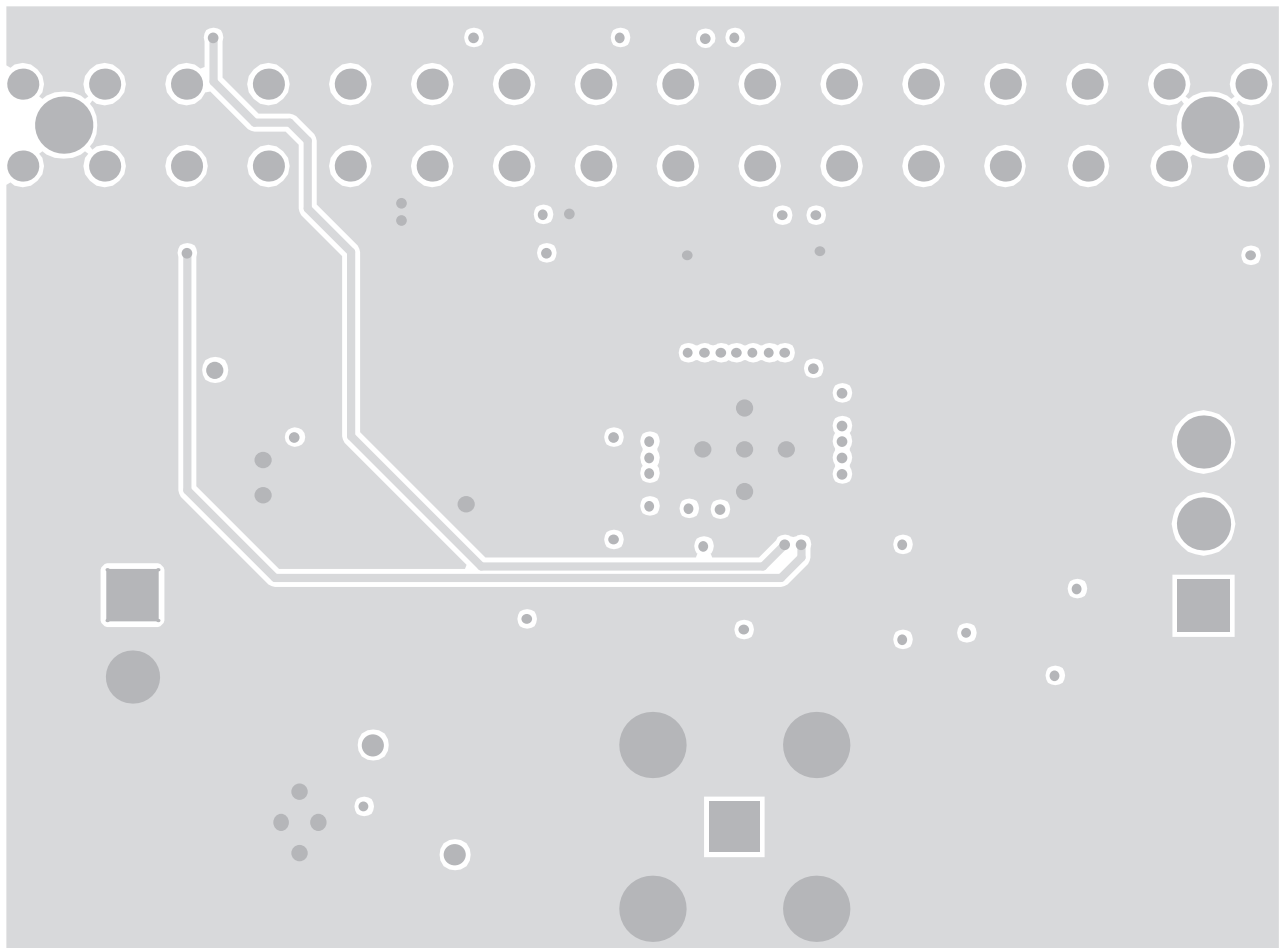
2. TOP Layer



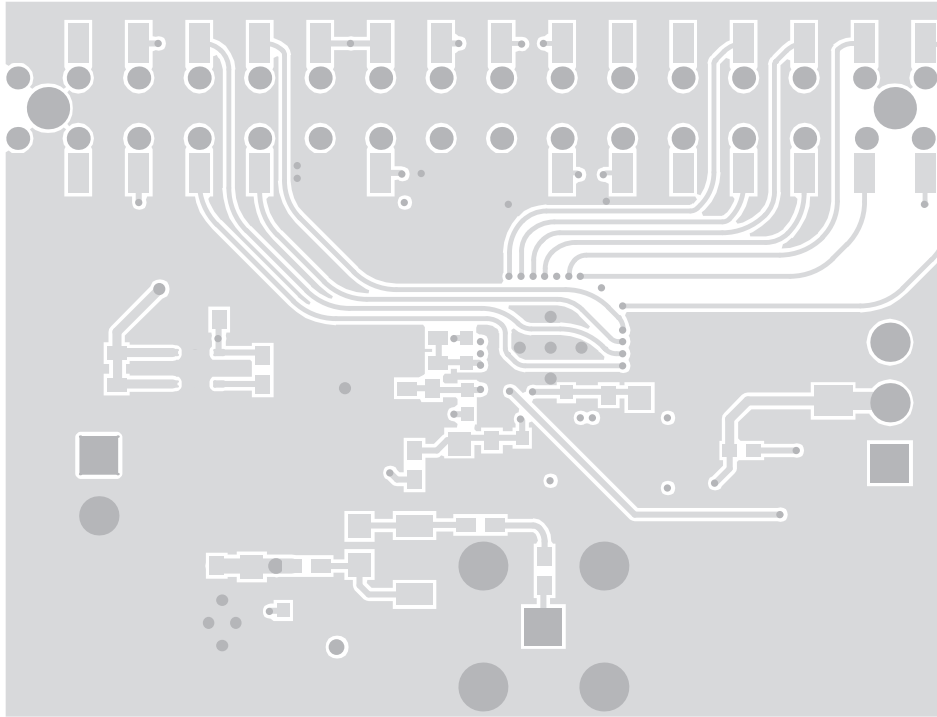
3. Signal 1



4. Signal 2



5. Bottom



8 DS90UB933-Q1EVM Serializer Board Bill of Materials

Table 2. DS90UB933-Q1EVM BOM

QTY	REFERENCE	PART	PCB FOOTPRINT	MFR and PART#
6	C3, C8, C10, C17, C23, C31	0.1 μ F	0402	TDK C1005X7R1H104K050BB
6	C1, C9, C12, C13, C22, C30	10 μ F	0603	MuRata GRM188R61E106MA73D
6	C5, C14, C20, C24, C25, C26	0.01 μ F	0402	MuRata GCM155R71H103KA55D
4	R3, R4, R5, R16	0 Ω	0402	Panasonic ERJ-2GE0R00X
3	C6, C11, C32	1 μ F	0402	TDK C1005X5R1E105K050BC
3	C27, C28, C33	0.1 μ F	0805	MuRata GRM155R71C104KA88D
3	C15, C21, C29	0.1 μ F	0402	MuRata GRM155R71C104KA88D
1	C16	4.7 μ F	0603	MuRata GRM188R61E475KE11D
1	C4	2.2 μ F	0402	MuRata GRM155R61E225KE11D
3	L1, L4, L5	1000 Ω @ 100MHz	0402	MuRata BLM15HD102SN1D
3	R6, R8, R20	0 Ω	0402	Vishay-Dale CRCW04020000Z0ED
3	R15, R17, R21	10k Ω	0402	Vishay-Dale CRCW040210K0FKED
2	R1, R2	4.7k Ω	0402	Vishay-Dale CRCW04024K70JNED
2	R9, R11	100k Ω	0402	Vishay-Dale CRCW0402100KFKED
1	R18	10k Ω	0402	MuRata CRCW040210K0FKED
1	C2	1 μ F	0805	AVX 08055C105KAT2A
1	C7	1 μ F	0402	MuRata GRM155R61A105KE15D
1	C19	0.047 μ F	0402	TDK C1005X7R1H473K050BB
1	CN1	Connector	-	Rosenberger 59S10H-40ML5-Z
1	D1	Schottky		Diodes Inc. B120-13-F
1	J1	Receptacle	2.54mm 16x2	Samtec HLE-116-02-F-DV-BE-A
1	J2	Header	3x1	Samtec TSW-103-07-G-S
1	J3	Header	2x1	Samtec TSW-102-07-G-S
1	L2	47 μ H	SMD	TDK ADL3225V-470M-2P
1	L3	4.7 μ H	SMD	Coiltronics MPI4040R3-4R7-R
1	R7	2k Ω	0603	Vishay-Dale CRCW040257R6FKED
1	R10	51.1k Ω	0402	Panasonic ERJ-2RKF5112X
1	R12	49.9 Ω	0402	Vishay-Dale CRCW040249R9FKED
1	R14	33 Ω	0402	Vishay-Dale CRCW040233R0JNED
1	R19	4.7k Ω	0402	Panasonic ERJ-2RKF4701X
1	S1		S	C and K Components
1	U1	Buck Regulator	WSON (10)	Texas Instruments LM53601LQDSXRQ1
1	U2	LDO	WSON (6)	Texas Instruments LP5912-1.8DRVR
1	U3	SER		Texas Instruments DS90UB933QSQE/NOPB
1	X1	OSC	SMD	Kyocera KC5032K66.6667C1GE00
0	C18	240pF	0402	MuRata GRM1555C1H241JA01D
0	R13	200 Ω	0402	Vishay-Dale CRCW0402200RJNED

Revision History

NOTE: Page numbers for previous revisions may differ from page numbers in the current version.

Changes from A Revision (October 2016) to B Revision	Page
• Revised power supply voltage and current requirement to be compatible with DS90UB934	1
• Revised compatible deserializer board to DS90UB934.	1
• Revised schematic images to include DNP components, R18, C15,C16,C21,C29.	10
• Revised Top layer silkscreen to show CE mark.	11
• Revised BOM to include DNP components, R18,C15,C16,C21,C29.	17
• Changed layout to new format	17

Changes from Original (July 2016) to A Revision	Page
• Revised schematic images to include DNP components. Also revised dummy termination network on DOUT- to be terminated with 49.9Ω resistor instead of 57.6Ω.	10
• Revised BOM to include DNP components and also changed 57.6Ω termination resistor on negative (-) DOUT terminal to 49.9Ω.	17

Changes from Original (July 2016) to A Revision	Page
• Revised schematic images to include DNP components. Also revised dummy termination network on DOUT- to be terminated with 49.9Ω resistor instead of 57.6Ω.	10
• Revised BOM to include DNP components and also changed 57.6Ω termination resistor on negative (-) DOUT terminal to 49.9Ω.	17

Changes from A Revision (October 2016) to B Revision	Page
• Revised power supply voltage and current requirement to be compatible with DS90UB934	1
• Revised compatible deserializer board to DS90UB934.	1
• Revised schematic images to include DNP components, R18, C15,C16,C21,C29.	10
• Revised Top layer silkscreen to show CE mark.	11
• Revised BOM to include DNP components, R18,C15,C16,C21,C29.	17
• Changed layout to new format	17

IMPORTANT NOTICE FOR TI DESIGN INFORMATION AND RESOURCES

Texas Instruments Incorporated ("TI") technical, application or other design advice, services or information, including, but not limited to, reference designs and materials relating to evaluation modules, (collectively, "TI Resources") are intended to assist designers who are developing applications that incorporate TI products; by downloading, accessing or using any particular TI Resource in any way, you (individually or, if you are acting on behalf of a company, your company) agree to use it solely for this purpose and subject to the terms of this Notice.

TI's provision of TI Resources does not expand or otherwise alter TI's applicable published warranties or warranty disclaimers for TI products, and no additional obligations or liabilities arise from TI providing such TI Resources. TI reserves the right to make corrections, enhancements, improvements and other changes to its TI Resources.

You understand and agree that you remain responsible for using your independent analysis, evaluation and judgment in designing your applications and that you have full and exclusive responsibility to assure the safety of your applications and compliance of your applications (and of all TI products used in or for your applications) with all applicable regulations, laws and other applicable requirements. You represent that, with respect to your applications, you have all the necessary expertise to create and implement safeguards that (1) anticipate dangerous consequences of failures, (2) monitor failures and their consequences, and (3) lessen the likelihood of failures that might cause harm and take appropriate actions. You agree that prior to using or distributing any applications that include TI products, you will thoroughly test such applications and the functionality of such TI products as used in such applications. TI has not conducted any testing other than that specifically described in the published documentation for a particular TI Resource.

You are authorized to use, copy and modify any individual TI Resource only in connection with the development of applications that include the TI product(s) identified in such TI Resource. NO OTHER LICENSE, EXPRESS OR IMPLIED, BY ESTOPPEL OR OTHERWISE TO ANY OTHER TI INTELLECTUAL PROPERTY RIGHT, AND NO LICENSE TO ANY TECHNOLOGY OR INTELLECTUAL PROPERTY RIGHT OF TI OR ANY THIRD PARTY IS GRANTED HEREIN, including but not limited to any patent right, copyright, mask work right, or other intellectual property right relating to any combination, machine, or process in which TI products or services are used. Information regarding or referencing third-party products or services does not constitute a license to use such products or services, or a warranty or endorsement thereof. Use of TI Resources may require a license from a third party under the patents or other intellectual property of the third party, or a license from TI under the patents or other intellectual property of TI.

TI RESOURCES ARE PROVIDED "AS IS" AND WITH ALL FAULTS. TI DISCLAIMS ALL OTHER WARRANTIES OR REPRESENTATIONS, EXPRESS OR IMPLIED, REGARDING TI RESOURCES OR USE THEREOF, INCLUDING BUT NOT LIMITED TO ACCURACY OR COMPLETENESS, TITLE, ANY EPIDEMIC FAILURE WARRANTY AND ANY IMPLIED WARRANTIES OF MERCHANTABILITY, FITNESS FOR A PARTICULAR PURPOSE, AND NON-INFRINGEMENT OF ANY THIRD PARTY INTELLECTUAL PROPERTY RIGHTS.

TI SHALL NOT BE LIABLE FOR AND SHALL NOT DEFEND OR INDEMNIFY YOU AGAINST ANY CLAIM, INCLUDING BUT NOT LIMITED TO ANY INFRINGEMENT CLAIM THAT RELATES TO OR IS BASED ON ANY COMBINATION OF PRODUCTS EVEN IF DESCRIBED IN TI RESOURCES OR OTHERWISE. IN NO EVENT SHALL TI BE LIABLE FOR ANY ACTUAL, DIRECT, SPECIAL, COLLATERAL, INDIRECT, PUNITIVE, INCIDENTAL, CONSEQUENTIAL OR EXEMPLARY DAMAGES IN CONNECTION WITH OR ARISING OUT OF TI RESOURCES OR USE THEREOF, AND REGARDLESS OF WHETHER TI HAS BEEN ADVISED OF THE POSSIBILITY OF SUCH DAMAGES.

You agree to fully indemnify TI and its representatives against any damages, costs, losses, and/or liabilities arising out of your non-compliance with the terms and provisions of this Notice.

This Notice applies to TI Resources. Additional terms apply to the use and purchase of certain types of materials, TI products and services. These include; without limitation, TI's standard terms for semiconductor products (<http://www.ti.com/sc/docs/stdterms.htm>), [evaluation modules](#), and [samples](http://www.ti.com/sc/docs/sampterm.htm) (<http://www.ti.com/sc/docs/sampterm.htm>).

Mailing Address: Texas Instruments, Post Office Box 655303, Dallas, Texas 75265
Copyright © 2017, Texas Instruments Incorporated