

Inverting amplifier with T-network feedback circuit



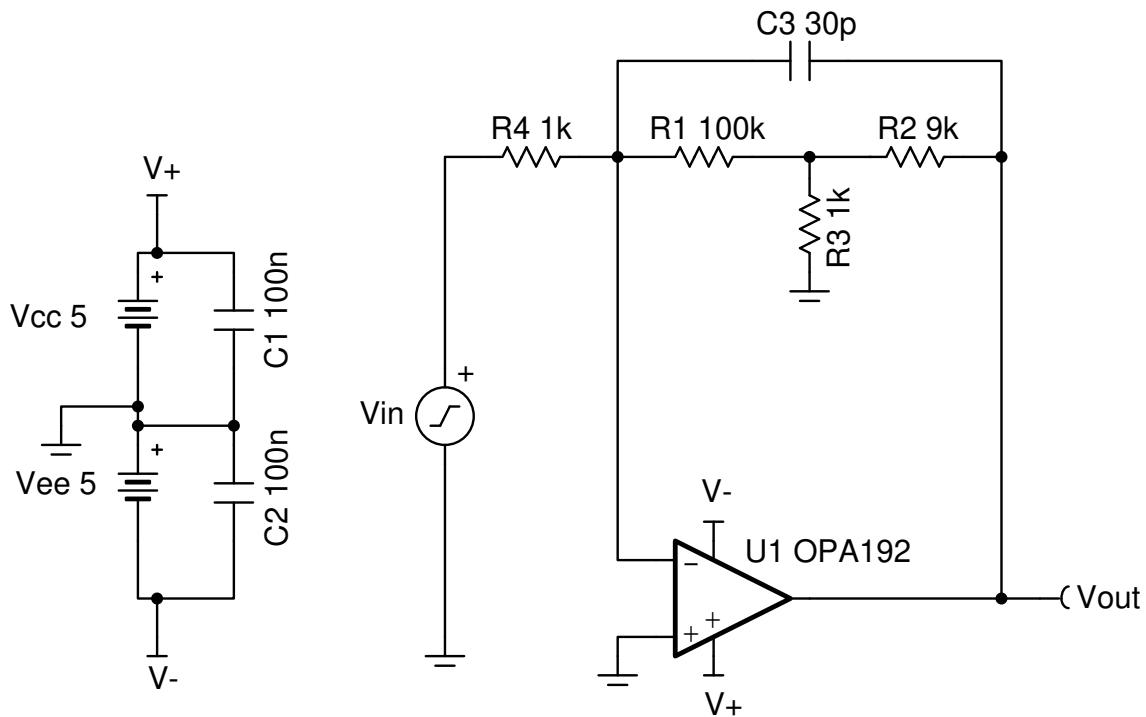
Amplifiers

Design Goals

Input		Output		BW	Supply	
V_{iMin}	V_{iMax}	V_{oMin}	V_{oMax}	f_p	V_{cc}	V_{ee}
-2.5mV	2.5mV	-2.5V	2.5V	5kHz	5V	-5V

Design Description

This design inverts the input signal, V_{in} , and applies a signal gain of 1000V/V or 60dB. The inverting amplifier with T-feedback network can be used to obtain a high gain without a small value for R_4 or very large values for the feedback resistors.



Design Notes

1. C_3 and the equivalent resistance of feedback resistors set the cutoff frequency, f_p .
2. The common-mode voltage in this circuit does not vary with input voltage.
3. Using high-value resistors can degrade the phase margin and increase noise.
4. Avoid placing capacitive loads directly on the output of the amplifier to minimize stability issues.
5. Due to the high gain of the circuit, be sure to use an op amp with sufficient gain bandwidth product. Remember to use the noise gain when calculating bandwidth. Use precision, or low offset, devices due to the high gain of the circuit.
6. For more information on op amp linear operating region, stability, slew-induced distortion, capacitive load drive, driving ADCs, and bandwidth see the [Design References](#) section.

Design Steps

1. Calculate required gain.

$$\text{Gain} = \frac{V_{o\text{Max}} - V_{o\text{Min}}}{V_{i\text{Max}} - V_{i\text{Min}}} = \frac{2.5\text{V} - (-2.5\text{V})}{2.5\text{mV} - (-2.5\text{mV})} = 1000 \frac{\text{V}}{\text{V}} = 60\text{dB}$$

2. Calculate resistor values to set the required gain.

$$\text{Gain} = \left(\frac{R_2 \times R_1}{R_3} + R_1 + R_2 \right) \frac{1}{R_4}$$

Choose the input resistor R_4 to be $1\text{k}\Omega$. To obtain a gain of 1000V/V , normally a $1\text{-M}\Omega$ resistor would be required. A T-network allows us to use smaller resistor values in the feedback loop. Selecting R_1 to be $100\text{k}\Omega$ and R_2 to be $9\text{k}\Omega$ allows calculation of the value for R_3 . R_2 is in the $10\text{k}\Omega$ range so the op amp can easily drive the feedback network.

$$R_3 = \left(\frac{R_2 \times R_1}{(\text{Gain} \times R_4) - R_1 - R_2} \right) = \left(\frac{9\text{k}\Omega \times 100\text{k}\Omega}{(1000 \times 1\text{k}\Omega) - 100\text{k}\Omega - 9\text{k}\Omega} \right) = 1\text{k}\Omega$$

3. Calculate C_3 using the equivalent resistance of the feedback resistors, R_{eq} , to set the location of f_p .

$$R_{\text{eq}} = \left(\frac{R_2 \times R_1}{R_3} + R_1 + R_2 \right) = \left(\frac{9\text{ k}\Omega \times 100\text{ k}\Omega}{1\text{ k}\Omega} + 100\text{ k}\Omega + 9\text{ k}\Omega \right) = 1.009\text{M}\Omega$$

$$f_p = \frac{1}{2\pi \times R_{\text{eq}} \times C_3} = 5\text{ kHz}$$

$$C_3 = \frac{1}{2\pi \times R_{\text{eq}} \times f_p} = \frac{1}{2\pi \times 1.009\text{M}\Omega \times 5\text{kHz}} = 31.55\text{pF} \approx 30\text{pF (Standard Value)}$$

4. Calculate the small signal circuit bandwidth to ensure it meets the 5 kHz requirement. Be sure to use the noise gain, NG, or non-inverting gain of the circuit.

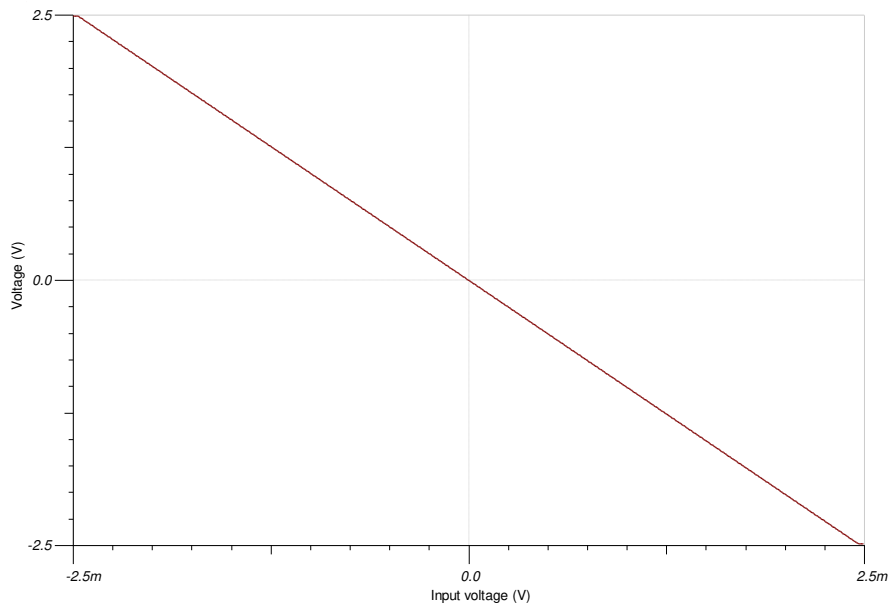
$$\text{NG} = 1 + \frac{R_{\text{eq}}}{R_4} = 1 + 1000 = 1001 \frac{\text{V}}{\text{V}}$$

$$\text{BW} = \frac{\text{GBP}}{\text{NG}} = \frac{10\text{MHz}}{1001\text{ V/V}} = 9.9\text{kHz}$$

- $\text{BW}_{\text{OPA192}} = 10\text{MHz}$; therefore this requirement is met.

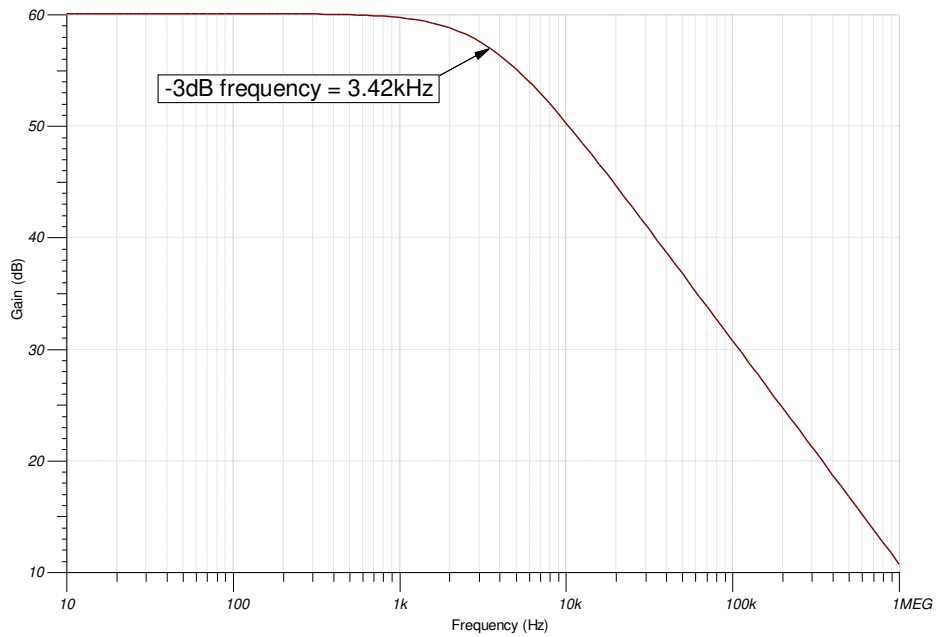
Design Simulations

DC Simulation Results

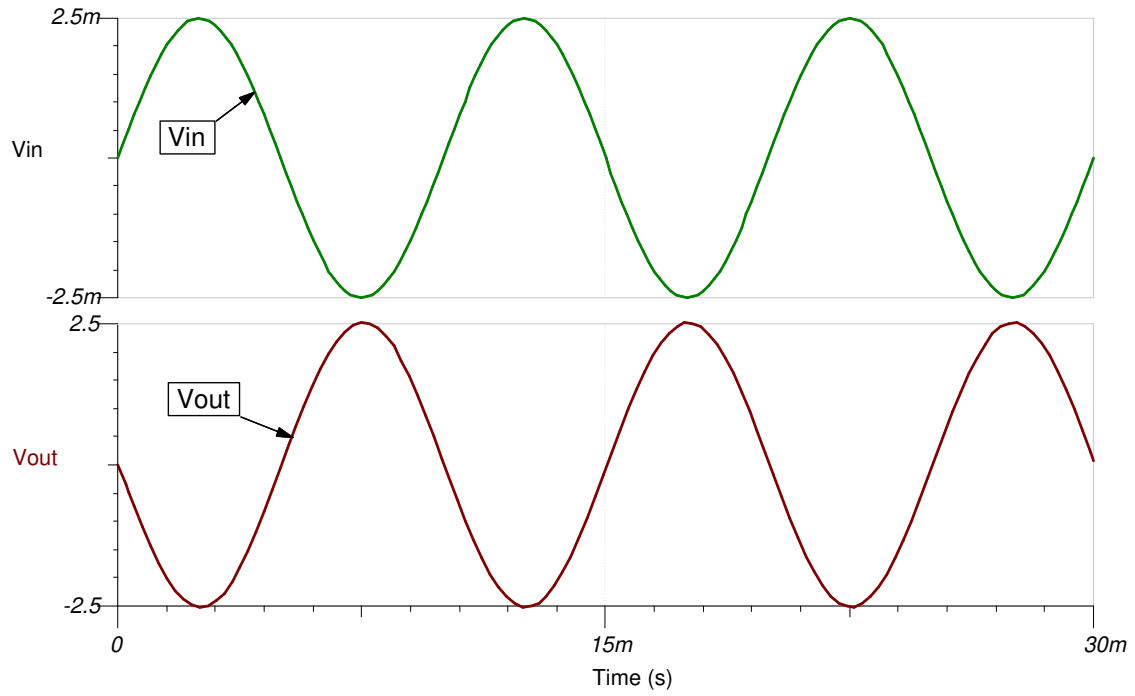


AC Simulation Results

The simulation is very close to the calculation.



Transient Simulation Results



Design References

1. See [Analog Engineer's Circuit Cookbooks](#) for the comprehensive TI circuit library.
2. [TI Precision Labs](#)
3. See the [1 MHz, Single-Supply, Photodiode Amplifier Reference Design](#).

Design Featured Op Amp

OPA192	
V_{SS}	$\pm 2.25V$ to $\pm 18V$
V_{inCM}	Rail-to-Rail
V_{out}	Rail-to-Rail
V_{os}	5 μ V
I_q	1mA
I_b	5pA
UGBW	10MHz
SR	20V/ μ s
#Channels	1, 2, 4
www.ti.com/product/OPA192	

Design Alternate Op Amp

TLV9062	
V_{SS}	1.8V to 5.5V
V_{inCM}	Rail-to-Rail
V_{out}	Rail-to-Rail
V_{os}	0.3mV
I_q	538 μ A
I_b	0.5pA
UGBW	10MHz
SR	6.5V/ μ s
#Channels	1,2,4
www.ti.com/product/TLV9062	

IMPORTANT NOTICE AND DISCLAIMER

TI PROVIDES TECHNICAL AND RELIABILITY DATA (INCLUDING DATASHEETS), DESIGN RESOURCES (INCLUDING REFERENCE DESIGNS), APPLICATION OR OTHER DESIGN ADVICE, WEB TOOLS, SAFETY INFORMATION, AND OTHER RESOURCES "AS IS" AND WITH ALL FAULTS, AND DISCLAIMS ALL WARRANTIES, EXPRESS AND IMPLIED, INCLUDING WITHOUT LIMITATION ANY IMPLIED WARRANTIES OF MERCHANTABILITY, FITNESS FOR A PARTICULAR PURPOSE OR NON-INFRINGEMENT OF THIRD PARTY INTELLECTUAL PROPERTY RIGHTS.

These resources are intended for skilled developers designing with TI products. You are solely responsible for (1) selecting the appropriate TI products for your application, (2) designing, validating and testing your application, and (3) ensuring your application meets applicable standards, and any other safety, security, or other requirements. These resources are subject to change without notice. TI grants you permission to use these resources only for development of an application that uses the TI products described in the resource. Other reproduction and display of these resources is prohibited. No license is granted to any other TI intellectual property right or to any third party intellectual property right. TI disclaims responsibility for, and you will fully indemnify TI and its representatives against, any claims, damages, costs, losses, and liabilities arising out of your use of these resources.

TI's products are provided subject to TI's Terms of Sale (<https://www.ti.com/legal/termsofsale.html>) or other applicable terms available either on [ti.com](https://www.ti.com) or provided in conjunction with such TI products. TI's provision of these resources does not expand or otherwise alter TI's applicable warranties or warranty disclaimers for TI products.

Mailing Address: Texas Instruments, Post Office Box 655303, Dallas, Texas 75265
Copyright © 2021, Texas Instruments Incorporated