

AC-coupled transimpedance amplifier circuit



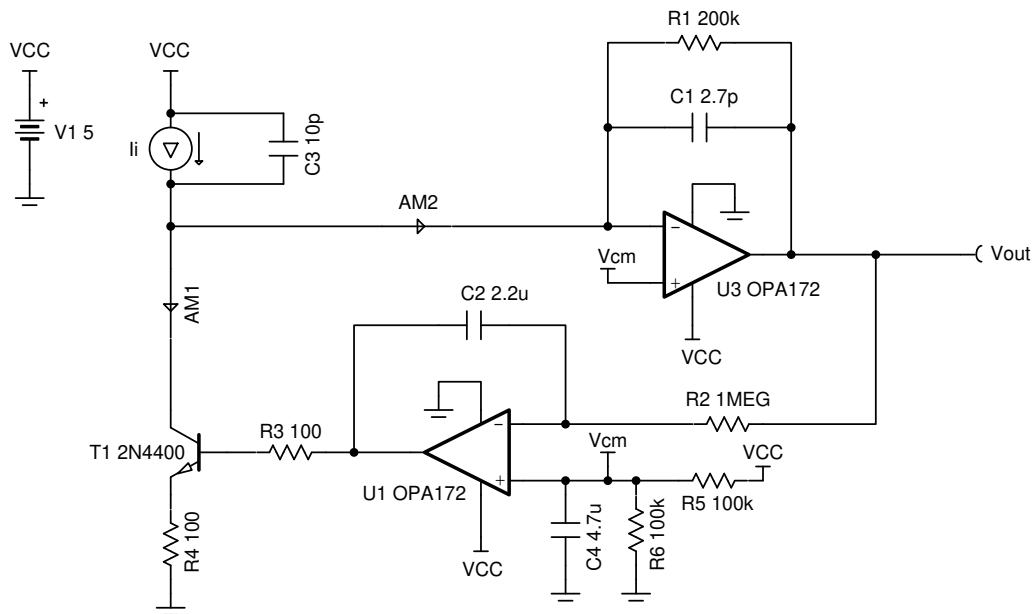
Amplifiers

Design Goals

Input Current		Ambient light current	Output voltage		Target Bandwidth	Supply	
I_{iMin}	I_{iMax}		V_{oMin}	V_{oMax}		V_{cc}	V_{ee}
-10 μ A	10 μ A	100 μ A	0.5V	4.5V	300kHz	5V	0V

Design Description

This circuit uses an op amp configured as a transimpedance amplifier to amplify the AC signal of a photodiode (modeled by I_i and C_3). The circuit rejects DC signals using a transistor to sink DC current out of the photodiode through the use of an integrator in a servo loop. The bias voltage applied to the non-inverting input prevents the output from saturating to the negative supply rail in the absence of input current.



Design Notes

1. Use a JFET or CMOS input op amp with low-bias current to reduce DC errors.
2. A capacitor placed in parallel with the feedback resistor will limit bandwidth, improve stability and help reduce noise.
3. The junction capacitance of photodiode changes with reverse bias voltage which will influence the stability of the circuit.
4. Reverse-biasing the photodiode can reduce the effects of dark current.
5. A resistor, R_3 , may be needed on the output of the integrator amplifier.
6. An emitter degeneration resistor, R_4 , should be used to help stabilize the BJT.
7. Use the op amp in a linear operating region. Linear output swing is usually specified under the A_{OL} test conditions.

Design Steps

The transfer function of the circuit is:

$$V_{\text{out}} = -I_i \times R_1$$

1. Calculate the value of the feedback resistor, R_1 , to produce the desired output swing.

$$R_1 = \frac{V_{\text{oMax}} - V_{\text{oMin}}}{I_{\text{iMax}} - I_{\text{iMin}}} = \frac{4.5\text{V} - 0.5\text{V}}{10\mu\text{A} - (-10\mu\text{A})} = 200\text{k}\Omega$$

2. Calculate the feedback capacitor to limit the signal bandwidth.

$$C_1 = \frac{1}{2\pi \times R_1 \times f_p} = \frac{1}{2\pi \times 200\text{k}\Omega \times 300\text{kHz}} = 2.65\text{pF} \approx 2.7\text{pF} \text{ (Standard Value)}$$

3. Calculate the gain bandwidth of the amplifier needed for the circuit to be stable.

$$\text{GBW} = \frac{C_i + C_1}{2\pi \times R_1 \times C_1^2} = \frac{23\text{pF} + 2.7\text{pF}}{2\pi \times 200\text{k}\Omega \times (2.7\text{pF})^2} = 2.97\text{MHz}$$

Where:

$$C_i = C_{\text{pd}} + C_b + C_d + C_{\text{cm}} = 10\text{pF} + 5\text{pF} + 4\text{pF} + 4\text{pF} = 23\text{pF}$$

Given:

- C_{pd} : Junction capacitance of photodiode
 - C_b : Output capacitance of BJT
 - C_d : Differential input capacitance of the amplifier
 - C_{cm} : Common-mode input capacitance of the inverting input
4. Set the cutoff frequency of the integrator circuit, f_1 , to 0.1Hz to only allow signals near DC to be subtracted from the photodiode output current. The cutoff frequency is set by R_2 and C_2 . Select R_2 as 1M Ω .

$$C_2 = \frac{1}{2\pi \times R_2 \times f_1} = \frac{1}{2\pi \times 1\text{M}\Omega \times 0.1\text{Hz}} = 1.59\mu\text{F} \approx 2.2\mu\text{F} \text{ (Standard Value)}$$

5. Select R_3 as 100 Ω to isolate the capacitance of the BJT from op amp and stabilize the amplifier. For more information on stability analysis, see the [Design References](#) section [2].
6. Bias the output of the circuit by setting the input common mode voltage of the integrator circuit to mid-supply. Select R_5 and R_6 as 100k Ω .

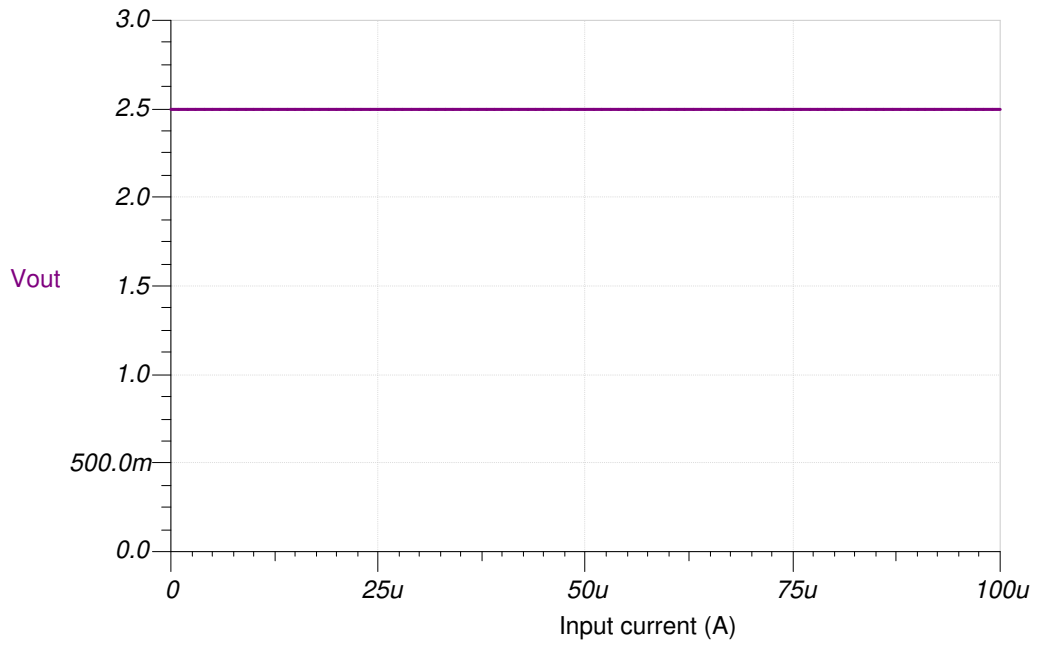
$$V_{\text{cm}} = \frac{R_6}{R_5 + R_6} \times V_{\text{CC}} = \frac{100\text{k}\Omega}{100\text{k}\Omega + 100\text{k}\Omega} \times 5\text{V} = 2.5\text{V}$$

7. Calculate capacitor C_2 to filter the power supply and resistor noise. Set the cutoff frequency to 1Hz.

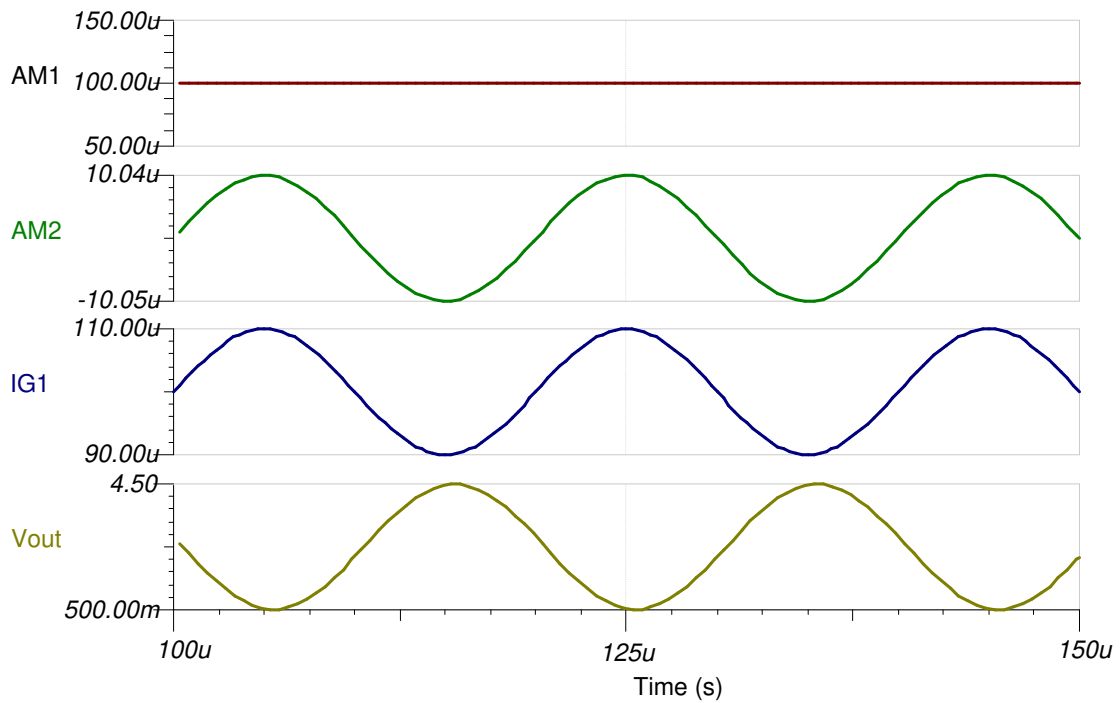
$$C_2 = \frac{1}{2\pi \times (R_2 || R_3) \times 1\text{Hz}} = \frac{1}{2\pi \times (100\text{k}\Omega || 100\text{k}\Omega) \times 1\text{Hz}} = 3.183\mu\text{F} \approx 4.7\mu\text{F}$$

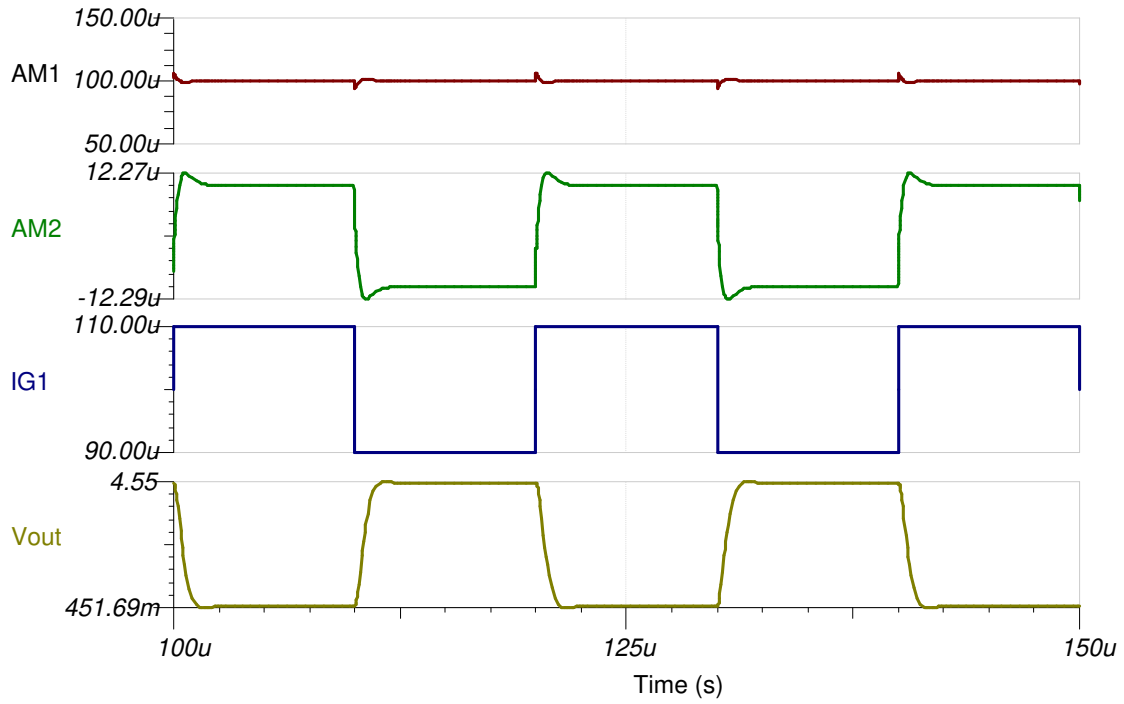
Design Simulations

DC Simulation Results

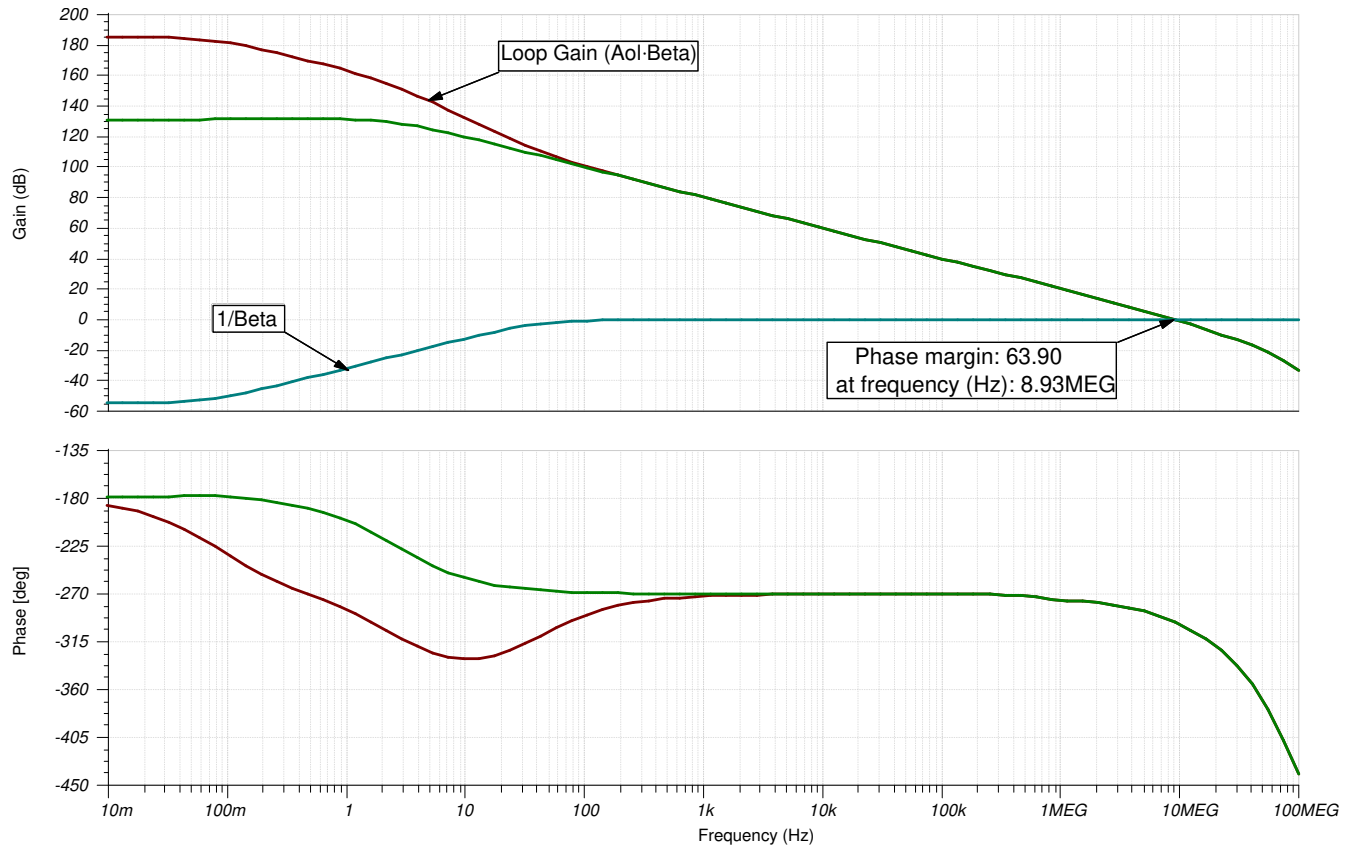


Transient Simulation Results

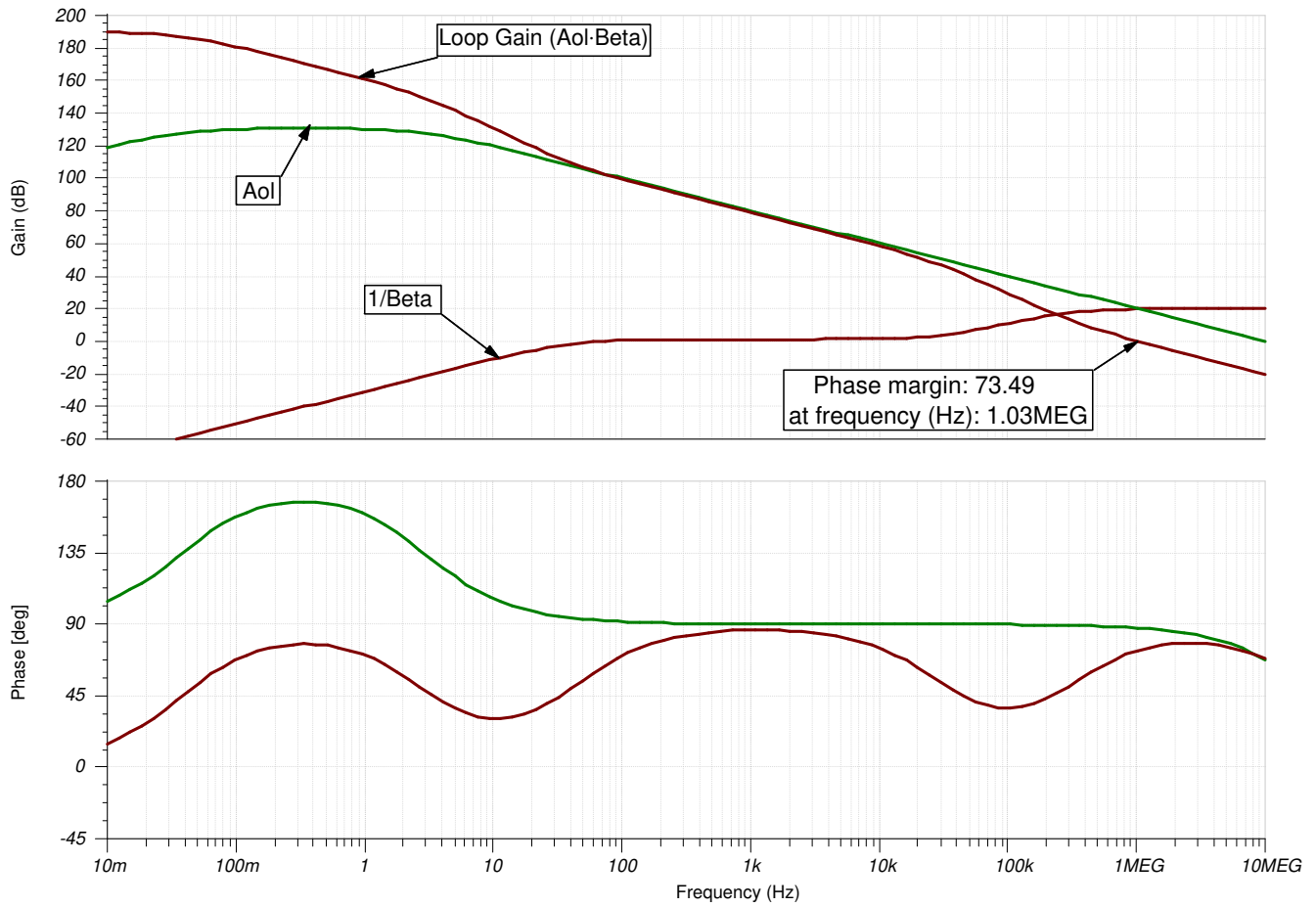




Integrator Open Loop Stability



TIA Stability Results



Design References

1. See [Analog Engineer's Circuit Cookbooks](#) for TI's comprehensive circuit library.
2. [TI Precision Labs](#)

Design Featured Op Amp

OPA172	
V_{CC}	$\pm 2.25V$ to $\pm 18V$, 4.5V to 36V
V_{inCM}	$(V-) - 0.1V$ to $(V+) - 2V$
V_{out}	Rail-to-rail
V_{os}	0.2mV
I_q	1.6mA
I_b	8pA
UGBW	10MHz
SR	10V/ μs
#Channels	1,2,4
www.ti.com/product/OPA172	

Design Alternate Op Amps

	OPA2991	TLV9042
V_{SS}	$\pm 1.35V$ to $\pm 20V$, 2.7V to 40V	$\pm 0.6V$ to $\pm 2.75V$, 1.2V to 5.5V
V_{inCM}	Rail-to-rail	Rail-to-rail
V_{out}	Rail-to-rail	Rail-to-rail
V_{os}	125 μV	0.6mV
I_q	560 μV	10uA
I_b	1pA	1pA
UGBW	4.5MHz	350kHz
SR	20V/ μs	0.2V/us
#Channels	1, 2, 4	1, 2, 4
	www.ti.com/product/OPA2991	www.ti.com/product/TLV9042

IMPORTANT NOTICE AND DISCLAIMER

TI PROVIDES TECHNICAL AND RELIABILITY DATA (INCLUDING DATA SHEETS), DESIGN RESOURCES (INCLUDING REFERENCE DESIGNS), APPLICATION OR OTHER DESIGN ADVICE, WEB TOOLS, SAFETY INFORMATION, AND OTHER RESOURCES "AS IS" AND WITH ALL FAULTS, AND DISCLAIMS ALL WARRANTIES, EXPRESS AND IMPLIED, INCLUDING WITHOUT LIMITATION ANY IMPLIED WARRANTIES OF MERCHANTABILITY, FITNESS FOR A PARTICULAR PURPOSE OR NON-INFRINGEMENT OF THIRD PARTY INTELLECTUAL PROPERTY RIGHTS.

These resources are intended for skilled developers designing with TI products. You are solely responsible for (1) selecting the appropriate TI products for your application, (2) designing, validating and testing your application, and (3) ensuring your application meets applicable standards, and any other safety, security, regulatory or other requirements.

These resources are subject to change without notice. TI grants you permission to use these resources only for development of an application that uses the TI products described in the resource. Other reproduction and display of these resources is prohibited. No license is granted to any other TI intellectual property right or to any third party intellectual property right. TI disclaims responsibility for, and you will fully indemnify TI and its representatives against, any claims, damages, costs, losses, and liabilities arising out of your use of these resources.

TI's products are provided subject to [TI's Terms of Sale](#) or other applicable terms available either on ti.com or provided in conjunction with such TI products. TI's provision of these resources does not expand or otherwise alter TI's applicable warranties or warranty disclaimers for TI products.

TI objects to and rejects any additional or different terms you may have proposed.

Mailing Address: Texas Instruments, Post Office Box 655303, Dallas, Texas 75265
Copyright © 2021, Texas Instruments Incorporated