

Monitoring Load Current With the TPS2549 and TPS254900 CS Pin

Benjamin Zhao, Yongqiang Sun

ABSTRACT

In many automotive applications, the host controller must monitor load current in real time and take appropriate measures to protect the system when the load current surpasses a safe threshold. This application note presents how to use the TPS2549 and TPS254900 CS pin to monitor load current.

Contents

1	Introduction	2
2	Device Overview	3
	2.1 Using the CS Pin to Monitor Load Current	3
3	Device Description	4
	3.1 Example of Monitoring Load Current	4
4	Conclusion	4
5	References	5

List of Figures

1	TPS2549 and TPS254900 Typical Application Circuit	2
2	Cable Compensation Block Diagram	2
3	Current-Sensing Scheme With CS Pin	3
4	Current Sensing Example	4

List of Tables

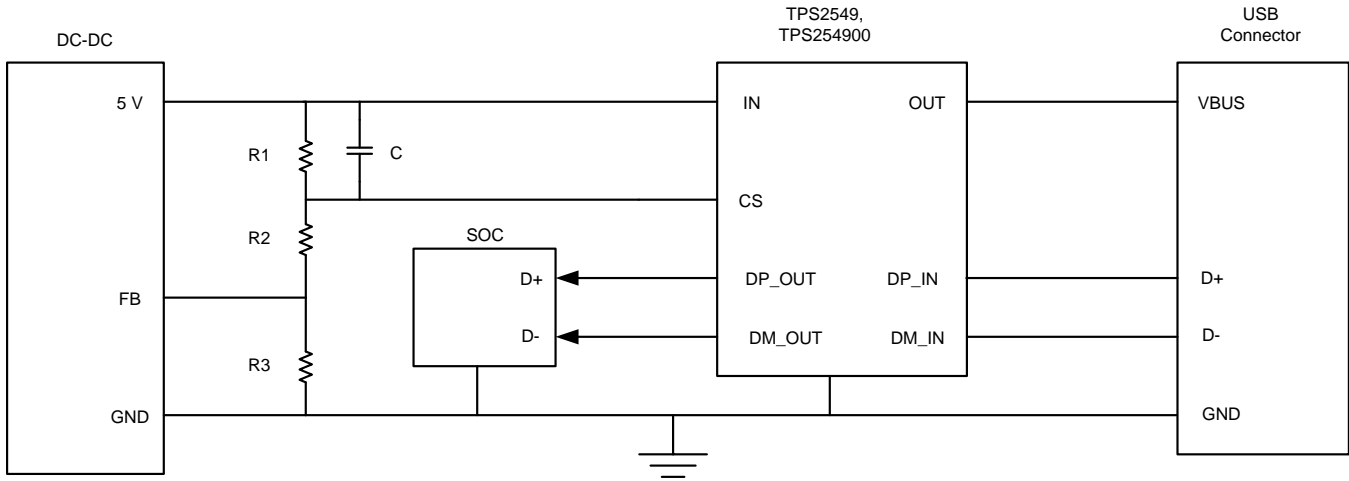
1	Current Sense Test Results	4
---	----------------------------------	---

Trademarks

All trademarks are the property of their respective owners.

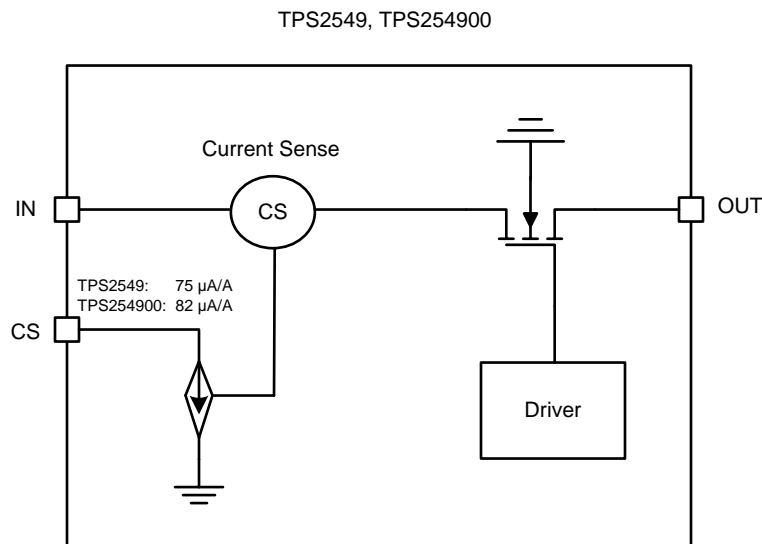
1 Introduction

The TPS2549 and TPS254900 devices are USB host-charging controllers with a supply voltage range from 4.5 V to 6.5 V. The TPS2549 and TPS254900 are widely used in automotive applications. [Figure 1](#) shows the typical application circuit. Typically, the CS pin is used to compensate the voltage drop due to the long cable between the USB connector and end-user devices. The TPS2549 and TPS254900 devices sense the load current and generate a proportional sink current through the CS pin, that can be used to adjust the output voltage of the upstream DC-DC regulator. [Figure 2](#) shows the cable compensation block diagram.



Copyright © 2017, Texas Instruments Incorporated

Figure 1. TPS2549 and TPS254900 Typical Application Circuit



Copyright © 2017, Texas Instruments Incorporated

Figure 2. Cable Compensation Block Diagram

2 Device Overview

2.1 Using the CS Pin to Monitor Load Current

The CS pin provides a current sink. By connecting a sample resistor in the cable compensation path, we can use the CS pin to monitor load current, which can avoid any impact by connecting a sense resistor in series with the load, to achieve higher efficiency. Figure 3 shows the scheme for monitoring load current with the CS pin. The current sense amplifier converts the current which flows through R_s to proportional voltage, and this voltage can be sampled by an analog-to-digital converter (ADC).

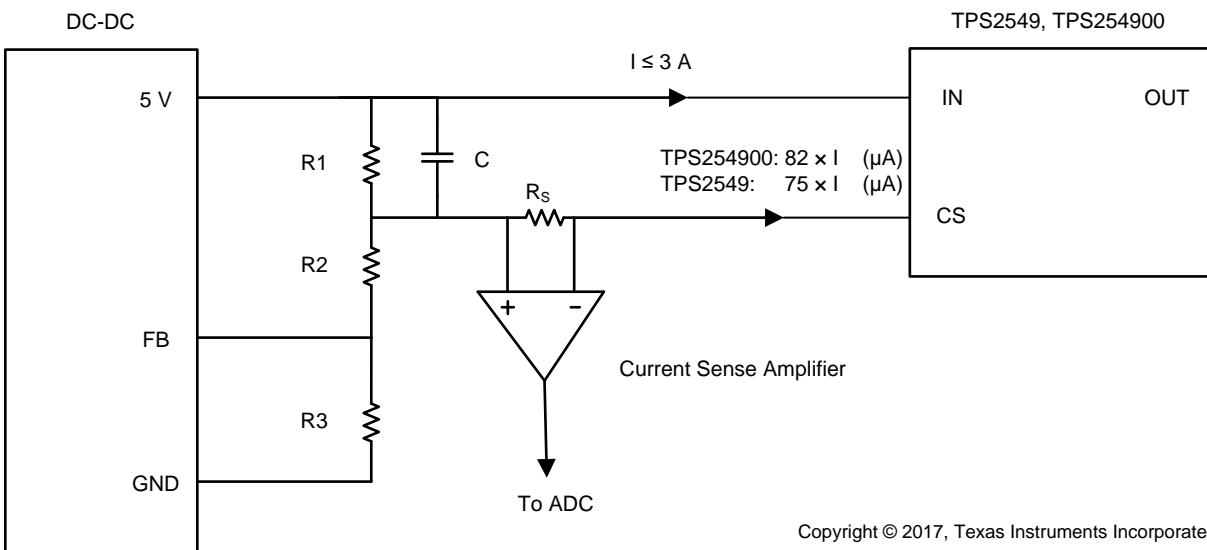


Figure 3. Current-Sensing Scheme With CS Pin

To ensure the cable compensation of the TPS2549 and TPS254900 works normally, TI requires that the voltage at the CS pin is larger than 2.5 V.

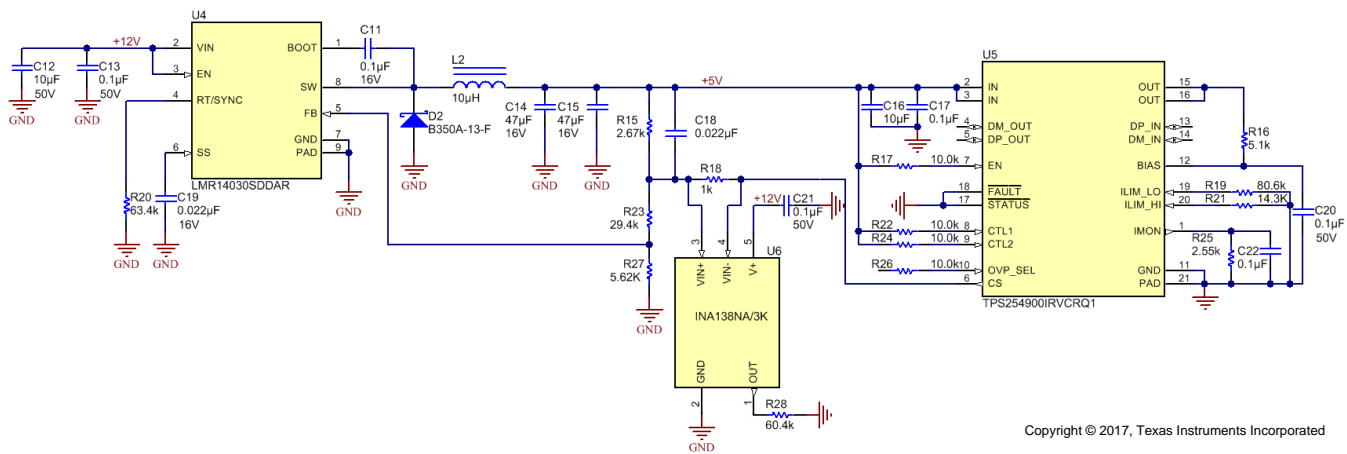
3 Device Description

3.1 Example of Monitoring Load Current

Figure 4 shows an example of monitoring the output current of the TPS254900. Using a 1-kΩ sample resistor and an amplifier with a gain of 12.08, the output voltage of the amplifier is described in Equation 1.

$$V = 0.991 \times I \tag{1}$$

Table 1 lists the test results.



Copyright © 2017, Texas Instruments Incorporated

Figure 4. Current Sensing Example

Table 1. Current Sense Test Results

Current (A)	Voltage (V)	Gain
0.5	0.526	1.052
0.8	0.822	1.028
1	1.019	1.019
1.2	1.217	1.014
1.5	1.512	1.008
1.8	1.808	1.004
2	2.005	1.003
2.2	2.202	1.001
2.5	2.498	0.999
2.8	2.795	0.998
3	2.994	0.998

4 Conclusion

The guidelines in this application report provide a workable solution for current sensing in USB-charging-based devices. Sensing up to 3-A current is achieved by using proper sample resistors and amplifiers.

5 References

- Texas Instruments, [TPS2549 USB Charging Port Controller and Power Switch With Cable Compensation](#), data sheet
- Texas Instruments, [TPS254900-Q1 Automotive USB Host Charger With Short-to-VBATT Protection](#), data sheet
- Texas Instruments, [TPS254900Q1EVM-817](#), user's guide
- Texas Instruments, [TPS2549Q1EVM-729](#), user's guide

IMPORTANT NOTICE FOR TI DESIGN INFORMATION AND RESOURCES

Texas Instruments Incorporated ("TI") technical, application or other design advice, services or information, including, but not limited to, reference designs and materials relating to evaluation modules, (collectively, "TI Resources") are intended to assist designers who are developing applications that incorporate TI products; by downloading, accessing or using any particular TI Resource in any way, you (individually or, if you are acting on behalf of a company, your company) agree to use it solely for this purpose and subject to the terms of this Notice.

TI's provision of TI Resources does not expand or otherwise alter TI's applicable published warranties or warranty disclaimers for TI products, and no additional obligations or liabilities arise from TI providing such TI Resources. TI reserves the right to make corrections, enhancements, improvements and other changes to its TI Resources.

You understand and agree that you remain responsible for using your independent analysis, evaluation and judgment in designing your applications and that you have full and exclusive responsibility to assure the safety of your applications and compliance of your applications (and of all TI products used in or for your applications) with all applicable regulations, laws and other applicable requirements. You represent that, with respect to your applications, you have all the necessary expertise to create and implement safeguards that (1) anticipate dangerous consequences of failures, (2) monitor failures and their consequences, and (3) lessen the likelihood of failures that might cause harm and take appropriate actions. You agree that prior to using or distributing any applications that include TI products, you will thoroughly test such applications and the functionality of such TI products as used in such applications. TI has not conducted any testing other than that specifically described in the published documentation for a particular TI Resource.

You are authorized to use, copy and modify any individual TI Resource only in connection with the development of applications that include the TI product(s) identified in such TI Resource. NO OTHER LICENSE, EXPRESS OR IMPLIED, BY ESTOPPEL OR OTHERWISE TO ANY OTHER TI INTELLECTUAL PROPERTY RIGHT, AND NO LICENSE TO ANY TECHNOLOGY OR INTELLECTUAL PROPERTY RIGHT OF TI OR ANY THIRD PARTY IS GRANTED HEREIN, including but not limited to any patent right, copyright, mask work right, or other intellectual property right relating to any combination, machine, or process in which TI products or services are used. Information regarding or referencing third-party products or services does not constitute a license to use such products or services, or a warranty or endorsement thereof. Use of TI Resources may require a license from a third party under the patents or other intellectual property of the third party, or a license from TI under the patents or other intellectual property of TI.

TI RESOURCES ARE PROVIDED "AS IS" AND WITH ALL FAULTS. TI DISCLAIMS ALL OTHER WARRANTIES OR REPRESENTATIONS, EXPRESS OR IMPLIED, REGARDING TI RESOURCES OR USE THEREOF, INCLUDING BUT NOT LIMITED TO ACCURACY OR COMPLETENESS, TITLE, ANY EPIDEMIC FAILURE WARRANTY AND ANY IMPLIED WARRANTIES OF MERCHANTABILITY, FITNESS FOR A PARTICULAR PURPOSE, AND NON-INFRINGEMENT OF ANY THIRD PARTY INTELLECTUAL PROPERTY RIGHTS.

TI SHALL NOT BE LIABLE FOR AND SHALL NOT DEFEND OR INDEMNIFY YOU AGAINST ANY CLAIM, INCLUDING BUT NOT LIMITED TO ANY INFRINGEMENT CLAIM THAT RELATES TO OR IS BASED ON ANY COMBINATION OF PRODUCTS EVEN IF DESCRIBED IN TI RESOURCES OR OTHERWISE. IN NO EVENT SHALL TI BE LIABLE FOR ANY ACTUAL, DIRECT, SPECIAL, COLLATERAL, INDIRECT, PUNITIVE, INCIDENTAL, CONSEQUENTIAL OR EXEMPLARY DAMAGES IN CONNECTION WITH OR ARISING OUT OF TI RESOURCES OR USE THEREOF, AND REGARDLESS OF WHETHER TI HAS BEEN ADVISED OF THE POSSIBILITY OF SUCH DAMAGES.

You agree to fully indemnify TI and its representatives against any damages, costs, losses, and/or liabilities arising out of your non-compliance with the terms and provisions of this Notice.

This Notice applies to TI Resources. Additional terms apply to the use and purchase of certain types of materials, TI products and services. These include; without limitation, TI's standard terms for semiconductor products (<http://www.ti.com/sc/docs/stdterms.htm>), [evaluation modules](#), and [samples](http://www.ti.com/sc/docs/sampterm.htm) (<http://www.ti.com/sc/docs/sampterm.htm>).

Mailing Address: Texas Instruments, Post Office Box 655303, Dallas, Texas 75265
Copyright © 2017, Texas Instruments Incorporated