

AN-1221 LM2623 General Purpose, Boost Converter Circuit

ABSTRACT

This application report shows the generic application circuit for LM2623 boost converters.

Contents

1	Overview	1
---	----------------	---

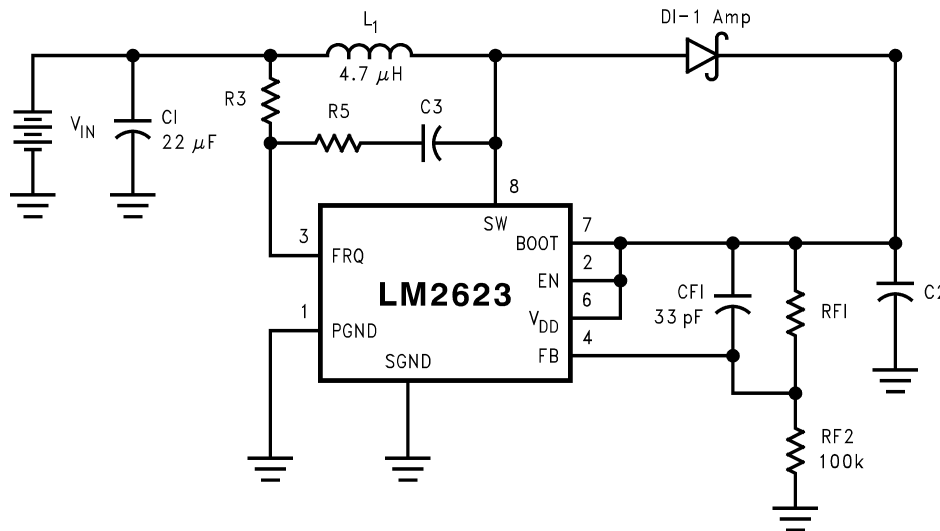
List of Figures

1	LM2623 Boost Converter Circuit Typical Applications Digital Cameras	2
---	---	---

1 Overview

The LM2623 boost converter circuits are very conventional, except for the ratio adaptive circuitry that is used to change the duty cycle. These components adjust the duty cycle to match it to the input/output voltage ratio requirements. R3 provides the drive current for the oscillator (frequency increases with lower resistance values. C3 and R5 provide the duty cycle adjustment. The default duty cycle when C3 and R5 are left out is about 17%. The value of C3 generally determines the total amount of charge transfer and resulting duty cycle adjustment. Smaller R3 values require larger C3 values (more charge transfer) to achieve the same duty cycle adjustment percentage. When more than 17% is necessary and it is not necessary to adjust the duty cycle dynamically (as the input to output voltage ratio changes), R5 can be omitted. Adding R5 allows the duty cycle to change as the input to output voltage ratio changes due to the battery discharging in portable applications. In applications where the fresh or fully charged battery voltage is close to the output voltage (2 cells generating 3.3 V), the optimum duty cycle changes dramatically as the battery discharges. Use of the correct R5 in these situations will optimize the duty cycle for the voltage ratio and minimize the ripple due to overshoot caused by stored energy in the coil.

The table of values show in [Table 1](#) should produce good performance for the application requirements stated. Recommended inductor values are based on input voltage, load current and operating frequency. 4.7 μH works well in most LM2623 two cell applications. 6.8 μH works well in most LM2623 Lilon or three cell applications. RF1 and RF2 set the output voltage by dividing the output voltage for comparison to the reference at the pin 4 FB pin. CF1 couples the AC ripple from the output directly into the comparator at pin 4. When in regulation, this triggers the regulation limit each switching cycle. Triggering this limit allows the comparator to make the voltage comparison from the same direction (above the limit) each switching cycle. This minimizes the hysteretic component of ripple. A 68 μF or larger output capacitor is recommended to minimize ripple resulting from overshoot due to stored energy in the coil. The rectifier diode should be selected as a function of peak currents and efficiency requirements.


Figure 1. LM2623 Boost Converter Circuit Typical Applications Digital Cameras
Table 1. Application Requirements

V_{IN}	Load Type	V_{OUT}	R1	R3	R5	C3	C2
2 Cells	Analog/Digital	3.6 V	182k	90k	35k	3.3 pF	100 μ F Tant + 4.7 μ F Cer
2 Cells	Motor Drive	5 V	300k	90k	22k	4.7 pF	68 μ F Tant
3 Cells or Li I	Motor Drive	5 V	300k	150k	35k	4.7 pF	68 μ F Tant

IMPORTANT NOTICE

Texas Instruments Incorporated and its subsidiaries (TI) reserve the right to make corrections, enhancements, improvements and other changes to its semiconductor products and services per JESD46, latest issue, and to discontinue any product or service per JESD48, latest issue. Buyers should obtain the latest relevant information before placing orders and should verify that such information is current and complete. All semiconductor products (also referred to herein as "components") are sold subject to TI's terms and conditions of sale supplied at the time of order acknowledgment.

TI warrants performance of its components to the specifications applicable at the time of sale, in accordance with the warranty in TI's terms and conditions of sale of semiconductor products. Testing and other quality control techniques are used to the extent TI deems necessary to support this warranty. Except where mandated by applicable law, testing of all parameters of each component is not necessarily performed.

TI assumes no liability for applications assistance or the design of Buyers' products. Buyers are responsible for their products and applications using TI components. To minimize the risks associated with Buyers' products and applications, Buyers should provide adequate design and operating safeguards.

TI does not warrant or represent that any license, either express or implied, is granted under any patent right, copyright, mask work right, or other intellectual property right relating to any combination, machine, or process in which TI components or services are used. Information published by TI regarding third-party products or services does not constitute a license to use such products or services or a warranty or endorsement thereof. Use of such information may require a license from a third party under the patents or other intellectual property of the third party, or a license from TI under the patents or other intellectual property of TI.

Reproduction of significant portions of TI information in TI data books or data sheets is permissible only if reproduction is without alteration and is accompanied by all associated warranties, conditions, limitations, and notices. TI is not responsible or liable for such altered documentation. Information of third parties may be subject to additional restrictions.

Resale of TI components or services with statements different from or beyond the parameters stated by TI for that component or service voids all express and any implied warranties for the associated TI component or service and is an unfair and deceptive business practice. TI is not responsible or liable for any such statements.

Buyer acknowledges and agrees that it is solely responsible for compliance with all legal, regulatory and safety-related requirements concerning its products, and any use of TI components in its applications, notwithstanding any applications-related information or support that may be provided by TI. Buyer represents and agrees that it has all the necessary expertise to create and implement safeguards which anticipate dangerous consequences of failures, monitor failures and their consequences, lessen the likelihood of failures that might cause harm and take appropriate remedial actions. Buyer will fully indemnify TI and its representatives against any damages arising out of the use of any TI components in safety-critical applications.

In some cases, TI components may be promoted specifically to facilitate safety-related applications. With such components, TI's goal is to help enable customers to design and create their own end-product solutions that meet applicable functional safety standards and requirements. Nonetheless, such components are subject to these terms.

No TI components are authorized for use in FDA Class III (or similar life-critical medical equipment) unless authorized officers of the parties have executed a special agreement specifically governing such use.

Only those TI components which TI has specifically designated as military grade or "enhanced plastic" are designed and intended for use in military/aerospace applications or environments. Buyer acknowledges and agrees that any military or aerospace use of TI components which have **not** been so designated is solely at the Buyer's risk, and that Buyer is solely responsible for compliance with all legal and regulatory requirements in connection with such use.

TI has specifically designated certain components as meeting ISO/TS16949 requirements, mainly for automotive use. In any case of use of non-designated products, TI will not be responsible for any failure to meet ISO/TS16949.

Products

Audio	www.ti.com/audio
Amplifiers	amplifier.ti.com
Data Converters	dataconverter.ti.com
DLP® Products	www.dlp.com
DSP	dsp.ti.com
Clocks and Timers	www.ti.com/clocks
Interface	interface.ti.com
Logic	logic.ti.com
Power Mgmt	power.ti.com
Microcontrollers	microcontroller.ti.com
RFID	www.ti-rfid.com
OMAP Applications Processors	www.ti.com/omap
Wireless Connectivity	www.ti.com/wirelessconnectivity

Applications

Automotive and Transportation	www.ti.com/automotive
Communications and Telecom	www.ti.com/communications
Computers and Peripherals	www.ti.com/computers
Consumer Electronics	www.ti.com/consumer-apps
Energy and Lighting	www.ti.com/energy
Industrial	www.ti.com/industrial
Medical	www.ti.com/medical
Security	www.ti.com/security
Space, Avionics and Defense	www.ti.com/space-avionics-defense
Video and Imaging	www.ti.com/video

TI E2E Community

e2e.ti.com