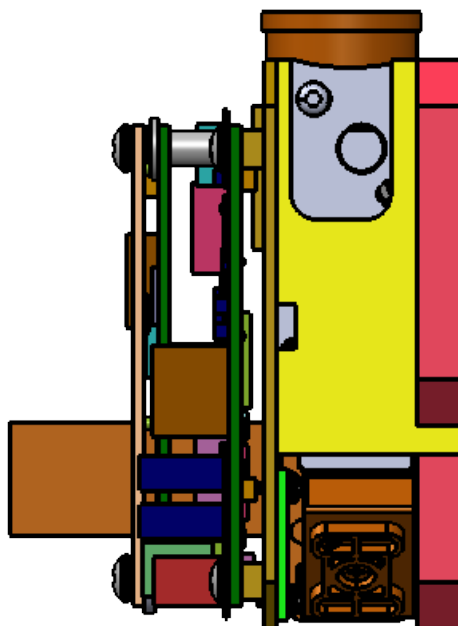
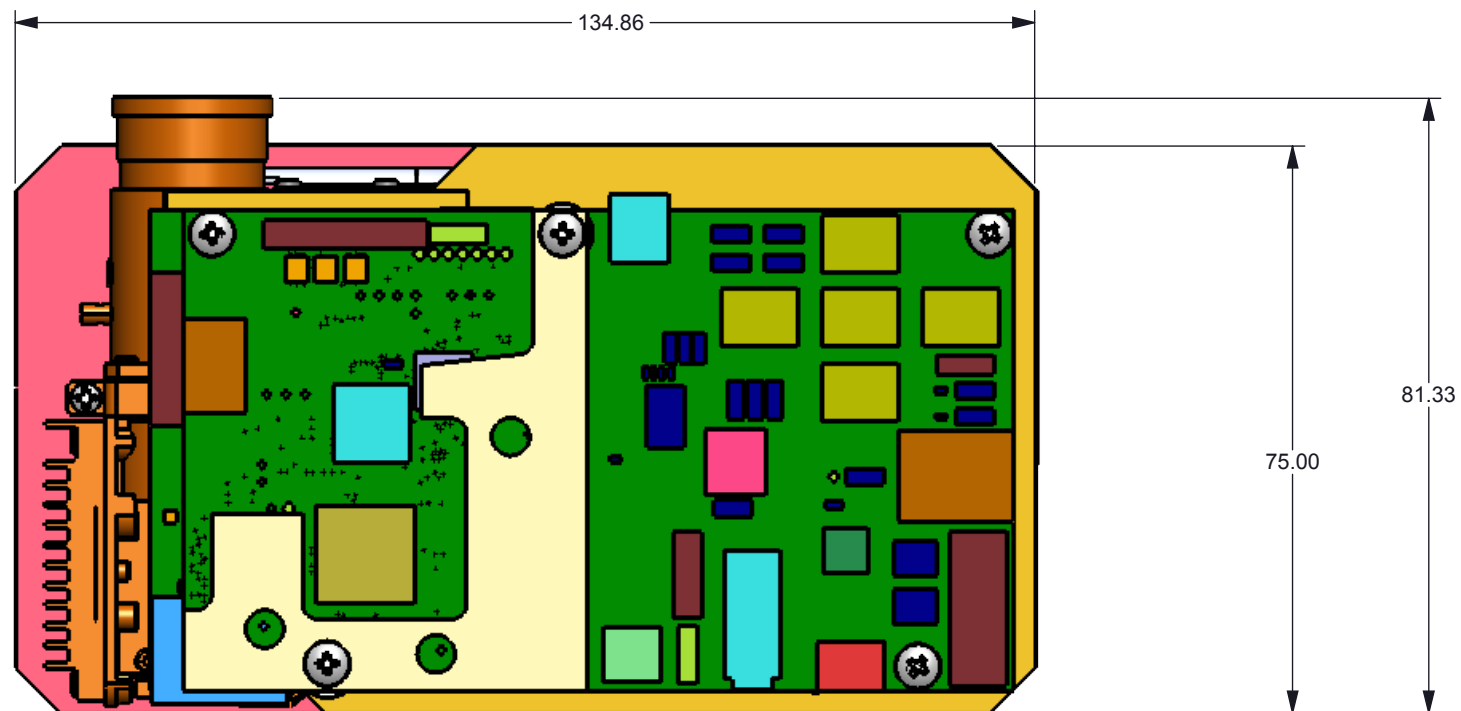


NOTES: UNLESS OTHERWISE SPECIFIED:

© COPYRIGHT 2014 TEXAS INSTRUMENTS  
UNPUBLISHED, ALL RIGHTS RESERVED

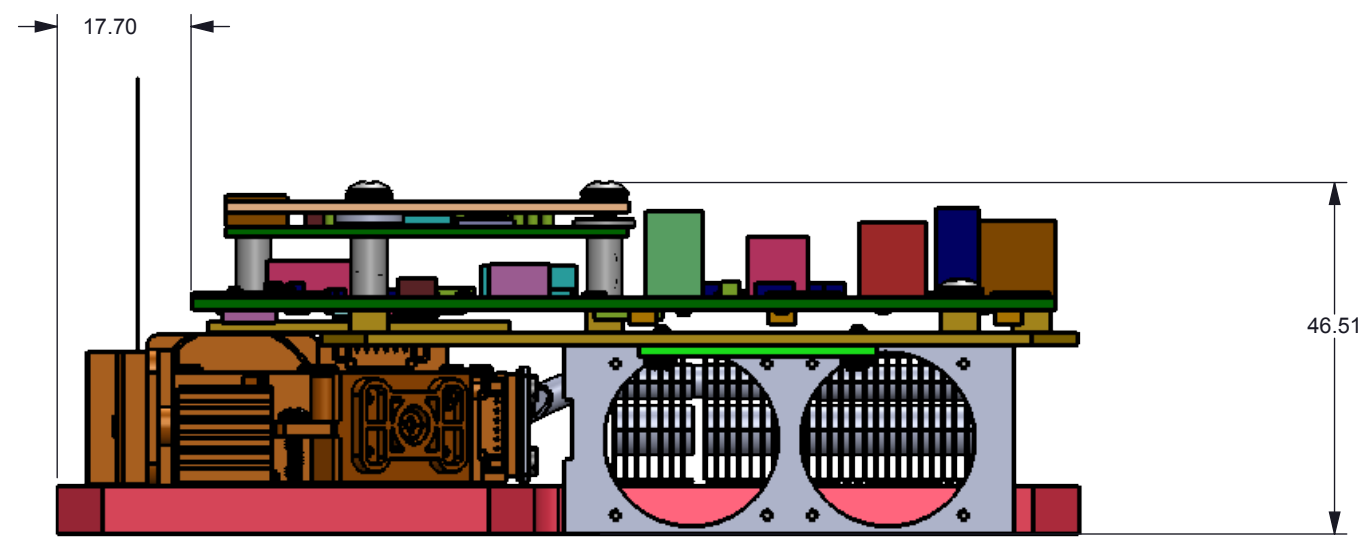
REVISIONS			
REV	DESCRIPTION	DATE	BY
---	INITIAL RELEASE	09-11-2014	SS
A	ADDED THERMAL PADS, M1.7 SCREWS, UPDATED M3 WASHER	10-28-2014	SS
B	UPDATED MAIN AND DISPLAY BOARD	2/20/2018	SS
C	ADDED ITEM 21, ITEM 18 QTY WAS 2, REMOVED ITEM 7, ITEM 12 WAS DAUGHTER-CARD-CLAMP-ASM	4/25/2018	SS
D	ITEM 9 WAS 94669A103 AND NOT ROHS COMPLIANT	5/7/2018	SS

D



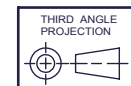
C

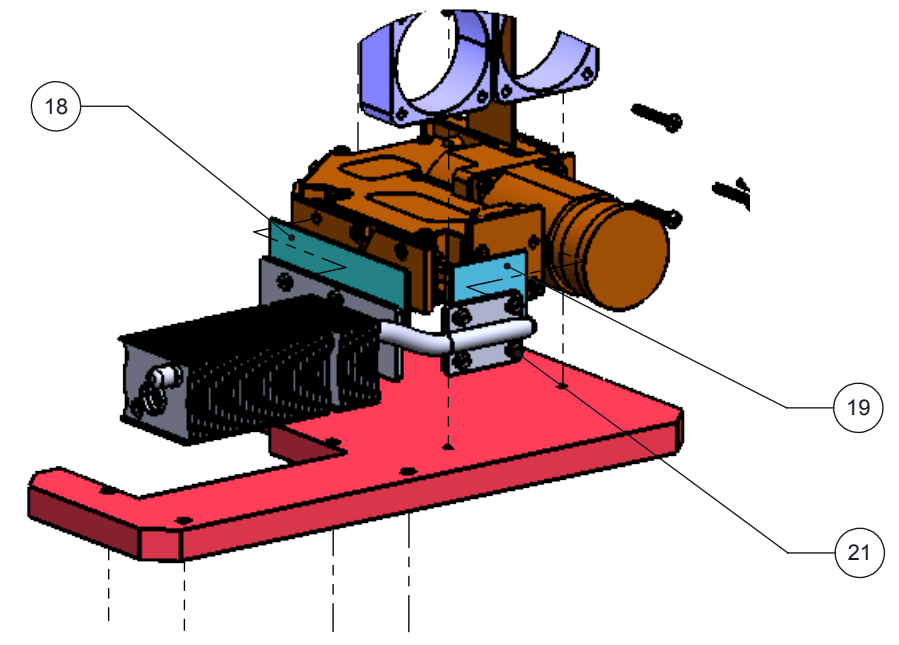
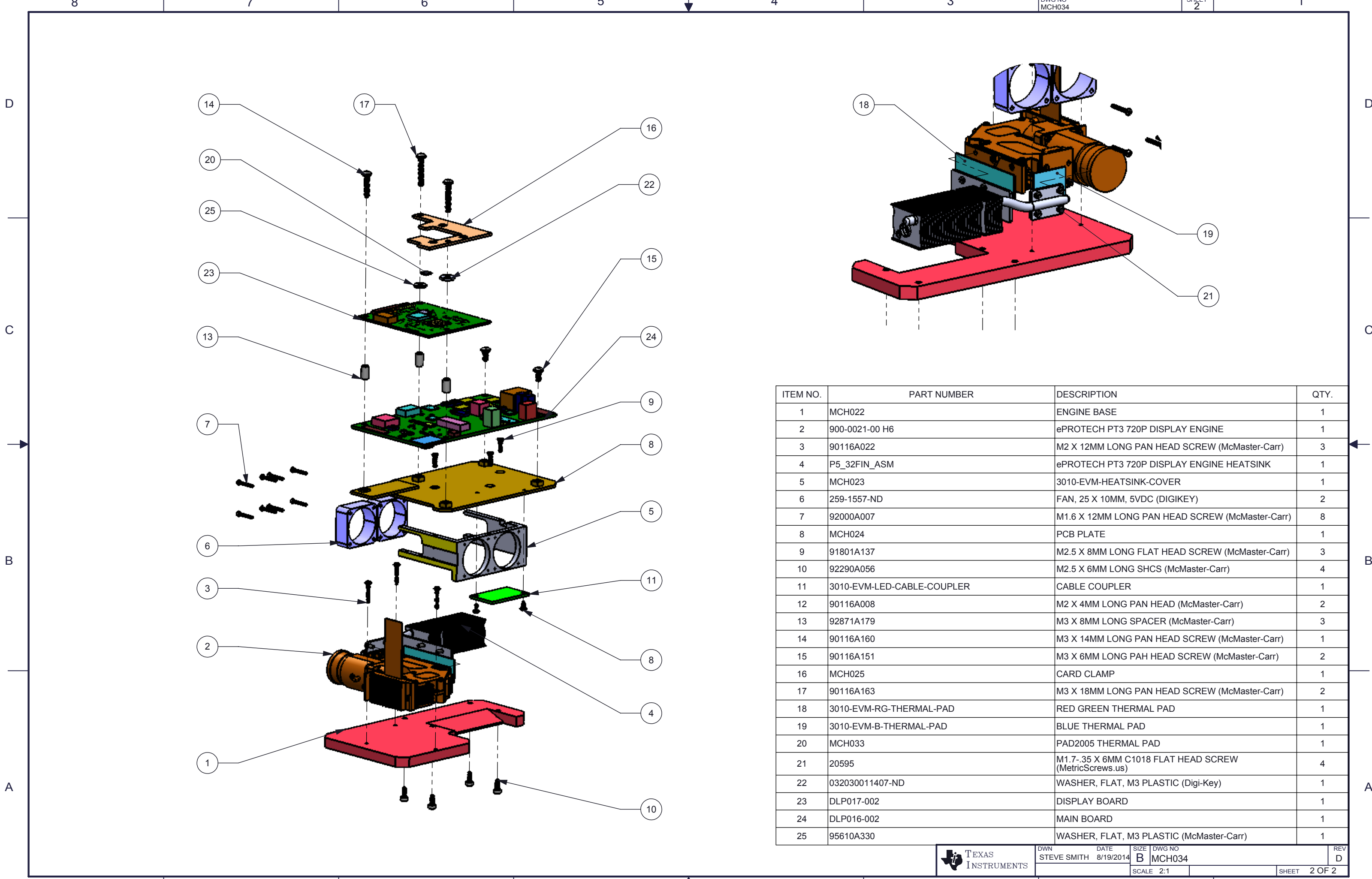
B



A

UNLESS OTHERWISE SPECIFIED		DWN STEVE SMITH	DATE 8/19/2014	 TEXAS INSTRUMENTS	DLP LIGHTCRAFTER 3010 EVM				
<ul style="list-style-type: none"> <li>DIMENSIONS ARE IN MILLIMETERS</li> <li>TOLERANCES: ANGLES ±1°</li> <li>2 PLACE DECIMALS ±0.25</li> <li>1 PLACE DECIMALS ±0.50</li> <li>DIMENSIONAL LIMITS APPLY BEFORE PROCESSES</li> <li>INTERPRET DIMENSIONS IN ACCORDANCE WITH ASME Y14.5M-1994</li> <li>REMOVE ALL BURRS AND SHARP EDGES</li> <li>PARENTHETICAL INFO FOR REF ONLY</li> </ul>		Engr STEVE SMITH	8/19/2014						
<table border="1"> <tr> <td>NEXT ASSY</td> <td>USED ON</td> </tr> <tr> <td colspan="2">APPLICATION</td> </tr> </table>		NEXT ASSY	USED ON	APPLICATION		CQE/QA	CM	SIZE B	DWG NO MCH034
NEXT ASSY	USED ON								
APPLICATION									
		Apprvd		SCALE 1:2	REV D				
				SHEET 1 OF 2					





ITEM NO.	PART NUMBER	DESCRIPTION	QTY.
1	MCH022	ENGINE BASE	1
2	900-0021-00 H6	ePROTECH PT3 720P DISPLAY ENGINE	1
3	90116A022	M2 X 12MM LONG PAN HEAD SCREW (McMaster-Carr)	3
4	P5_32FIN_ASM	ePROTECH PT3 720P DISPLAY ENGINE HEATSINK	1
5	MCH023	3010-EVM-HEATSINK-COVER	1
6	259-1557-ND	FAN, 25 X 10MM, 5VDC (DIGIKEY)	2
7	92000A007	M1.6 X 12MM LONG PAN HEAD SCREW (McMaster-Carr)	8
8	MCH024	PCB PLATE	1
9	91801A137	M2.5 X 8MM LONG FLAT HEAD SCREW (McMaster-Carr)	3
10	92290A056	M2.5 X 6MM LONG SHCS (McMaster-Carr)	4
11	3010-EVM-LED-CABLE-COUPLER	CABLE COUPLER	1
12	90116A008	M2 X 4MM LONG PAN HEAD (McMaster-Carr)	2
13	92871A179	M3 X 8MM LONG SPACER (McMaster-Carr)	3
14	90116A160	M3 X 14MM LONG PAN HEAD SCREW (McMaster-Carr)	1
15	90116A151	M3 X 6MM LONG PAH HEAD SCREW (McMaster-Carr)	2
16	MCH025	CARD CLAMP	1
17	90116A163	M3 X 18MM LONG PAN HEAD SCREW (McMaster-Carr)	2
18	3010-EVM-RG-THERMAL-PAD	RED GREEN THERMAL PAD	1
19	3010-EVM-B-THERMAL-PAD	BLUE THERMAL PAD	1
20	MCH033	PAD2005 THERMAL PAD	1
21	20595	M1.7-.35 X 6MM C1018 FLAT HEAD SCREW (MetricScrews.us)	4
22	032030011407-ND	WASHER, FLAT, M3 PLASTIC (Digi-Key)	1
23	DLP017-002	DISPLAY BOARD	1
24	DLP016-002	MAIN BOARD	1
25	95610A330	WASHER, FLAT, M3 PLASTIC (McMaster-Carr)	1

## IMPORTANT NOTICE AND DISCLAIMER

TI PROVIDES TECHNICAL AND RELIABILITY DATA (INCLUDING DATASHEETS), DESIGN RESOURCES (INCLUDING REFERENCE DESIGNS), APPLICATION OR OTHER DESIGN ADVICE, WEB TOOLS, SAFETY INFORMATION, AND OTHER RESOURCES "AS IS" AND WITH ALL FAULTS, AND DISCLAIMS ALL WARRANTIES, EXPRESS AND IMPLIED, INCLUDING WITHOUT LIMITATION ANY IMPLIED WARRANTIES OF MERCHANTABILITY, FITNESS FOR A PARTICULAR PURPOSE OR NON-INFRINGEMENT OF THIRD PARTY INTELLECTUAL PROPERTY RIGHTS.

These resources are intended for skilled developers designing with TI products. You are solely responsible for (1) selecting the appropriate TI products for your application, (2) designing, validating and testing your application, and (3) ensuring your application meets applicable standards, and any other safety, security, or other requirements. These resources are subject to change without notice. TI grants you permission to use these resources only for development of an application that uses the TI products described in the resource. Other reproduction and display of these resources is prohibited. No license is granted to any other TI intellectual property right or to any third party intellectual property right. TI disclaims responsibility for, and you will fully indemnify TI and its representatives against, any claims, damages, costs, losses, and liabilities arising out of your use of these resources.

TI's products are provided subject to TI's Terms of Sale ([www.ti.com/legal/termsofsale.html](http://www.ti.com/legal/termsofsale.html)) or other applicable terms available either on [ti.com](http://ti.com) or provided in conjunction with such TI products. TI's provision of these resources does not expand or otherwise alter TI's applicable warranties or warranty disclaimers for TI products.

Mailing Address: Texas Instruments, Post Office Box 655303, Dallas, Texas 75265  
Copyright © 2018, Texas Instruments Incorporated