

TCAN4550-Q1 Functional Safety-Manual

This document is the safety-manual for the Texas Instruments TCAN4550-Q1 device. The manual provides information to help developers integrate the TCAN4550-Q1 device into safety-related systems.

Contents

1	Introduction	2
2	Product Functional Safety-Capability.....	2
3	Product Overview	2
4	Development Process for Management of Systematic Faults.....	21

List of Figures

1	CAN Bus States.....	3
2	TCAN4550-Q1 Mixed Signal Functional Block Diagram	4
3	Digital Core Block Diagram and Clock Tree	5
4	General Purpose Application.....	6
5	Potential Failure Points	6
6	State Diagram	8
7	Fail-safe Feature State Diagram	10
8	SPI and M_CAN Test Modes.....	12
9	CAN Transceiver Test Mode	13
10	Timing for RST Pin in Normal and Standby Modes	17
11	Timing for RST Pin in Sleep Mode.....	18
12	TI New-Product Development Process.....	21

List of Tables

1	Potential Failure Points and Section	7
2	Safety-Mechanisms.....	7
3	Mode Overview	9
4	Under Voltage Lockout	11
5	Driver Function Table.....	11
6	Receiver Function Table Normal and Standby Modes	12
7	Watchdog Registers and Descriptions	16
8	Terminal Bias	16
9	Internal SPI Status Field Descriptions (Address h000C)	18
10	Interrupts Field Descriptions (Address h0820)	19
11	MCAN Interrupts Field Descriptions (Address h0824).....	20

Trademarks

All trademarks are the property of their respective owners.

1 Introduction

The system and equipment manufacturer or designer (as a user of this document) is responsible to ensure that their systems (and any TI hardware or software components incorporated in the systems) meet all applicable safety, regulatory and system-level performance requirements. All application and safety-related information in this document (including application descriptions, suggested safety-measures, suggested TI products, and other materials) is provided for reference only. Users understand and agree that their use of TI components in safety-critical applications is entirely at their risk, and that user (as a buyer) agrees to defend, indemnify, and hold harmless TI from any and all damages, claims, suits, or expense resulting from such use.

This document is a safety-manual for the Texas Instruments TCAN4550-Q1 aCAN FD controller with integrated transceiver for safety-critical applications. The safety-manual provides information to help system developers create safety-related systems using a supported TCAN4550-Q1. This document contains:

- An overview of the product architecture
- An overview of the development process used to reduce systematic failures
- An overview of the safety architecture for management of random failures
- The details of architecture partitions, implemented safety mechanisms, and recommended usage

The Safety Analysis Report documents the following information, which is not covered in this document:

- Failure rates estimation
- Qualitative failure analysis (design FMEA and pin-FMEA)
- Quantitative failure analysis (quantitative FMEDA)
- Safety metrics calculated per targeted standards per system example implementation

TI expects that the user of this document has a general familiarity with the TCAN4550-Q1 device. This document is intended to be used in conjunction with the pertinent data sheets and other documentation. This partition of technical content is intended to simplify development, reduce duplication of content, and avoid confusion as compared to the definition of safety-manual as seen in IEC 61508:2010.

2 Product Functional Safety-Capability

The TCAN4550-Q1 safety-capability is QM, Quality Managed, per ISO 26262:2018. The TCAN4550-Q1 was developed with Quality Managed product development process and qualified according to AEC Q100 Grade 1.

3 Product Overview

The TCAN4550-Q1 is a CAN FD controller with an integrated CAN FD transceiver supporting data rates up to 8 Mbps. The CAN FD controller meets the specifications of the ISO 11898-1:2015 high speed Controller Area Network (CAN) data link layer and meets the physical layer requirements of the ISO 11898-2:2016 High Speed Controller Area Network (CAN) specification providing an interface between the CAN bus and the host system supporting both classical CAN and CAN FD up to 8 megabits per second (Mbps). The TCAN4550-Q1 provides CAN FD transceiver functionality: differential transmit capability to the bus and differential receive capability from the bus. The device includes many protection features providing device and CAN bus robustness. The device can also wake up via remote wake up using the CAN bus implementing the ISO 11898-2:2016 Wake Up Pattern (WUP). Input/Output support for 3.3 V and 5 V microprocessors using the V_{IO} pin for a seamless interface. The TCAN4550-Q1 has a Serial Peripheral Interface (SPI) that connects to a local microprocessor for the device configuration, transmission and reception of CAN frames. The SPI interface supports clock rates up to 18 MHz.

The CAN bus has two logical states during operation: recessive and dominant. See [Figure 1](#)

In the recessive bus state, the bus is biased to a common mode of about 2.5 V via the high resistance internal input resistors of the receiver of each node. Recessive is equivalent to logic high and is typically a differential voltage on the bus of almost 0 V. The recessive state is also the idle state.

In the dominant bus state, the bus is driven differentially by one or more drivers. Current flows through the termination resistors and generates a differential voltage on the bus. Dominant is equivalent to logic low and is a differential voltage on the bus greater than the minimum threshold for a CAN dominant. A dominant state overwrites the recessive state.

During arbitration, multiple CAN nodes may transmit a dominant bit at the same time. In this case the differential voltage of the bus may be greater than the differential voltage of a single driver.

Transceivers with low power Standby Mode have a third bus state where the bus terminals are weakly biased to ground via the high resistance internal resistors of the receiver. See [Figure 1](#) and [Figure 2](#).

Many of the pins can be configured for multiple purposes. Much of the parametric data is based on internal links like the TXD/RXD_INT which represent the TXD and RXD of a standalone CAN transceiver. The TCAN4550-Q1 has a test mode that maps these signals to an external pin in order to perform compliance testing on the transceiver (TXD/RXD_INT_PHY) and CAN controller (TXD/RXD_INT_CAN) independently.

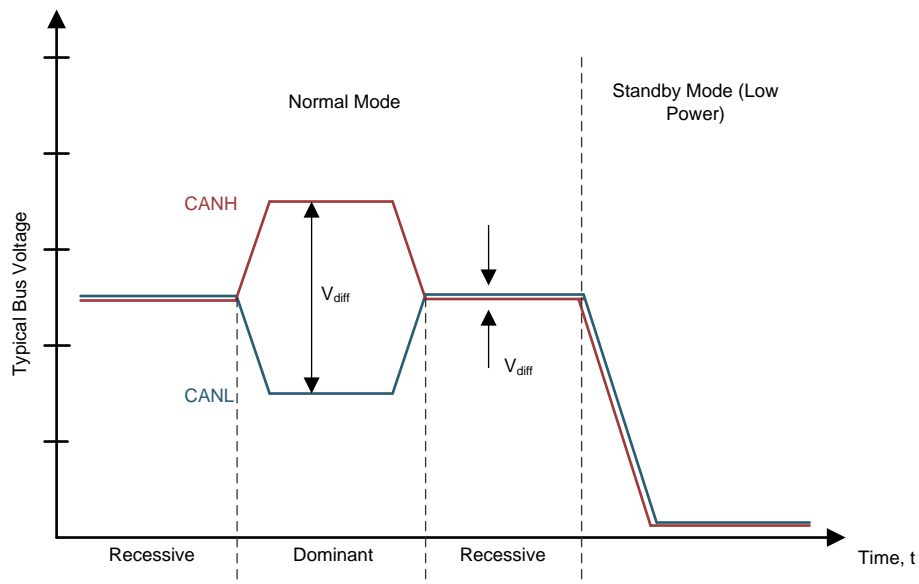


Figure 1. CAN Bus States

3.1 Block Diagram

The TCAN4550-Q1 is a mixed signal device containing both analog and digital cores. The device integrates the Bosch M_CAN revision 3.2.1.1 controller which is not covered in this document. Figure 2 and Figure 3 are the high level mixed signal and digital core functional block diagrams. CCLK is internally connected to the crystal/CLKIN.

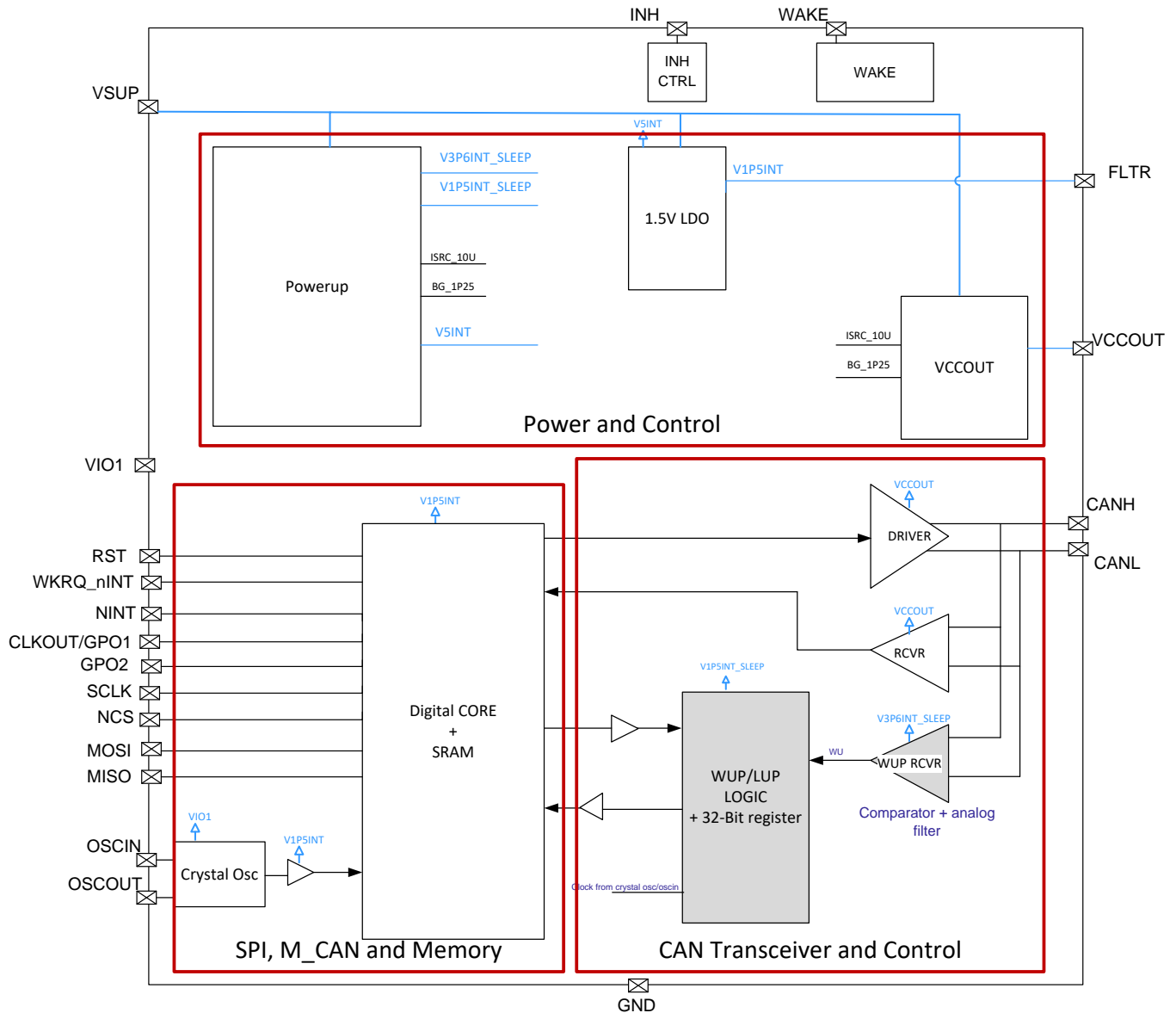


Figure 2. TCAN4550-Q1 Mixed Signal Functional Block Diagram

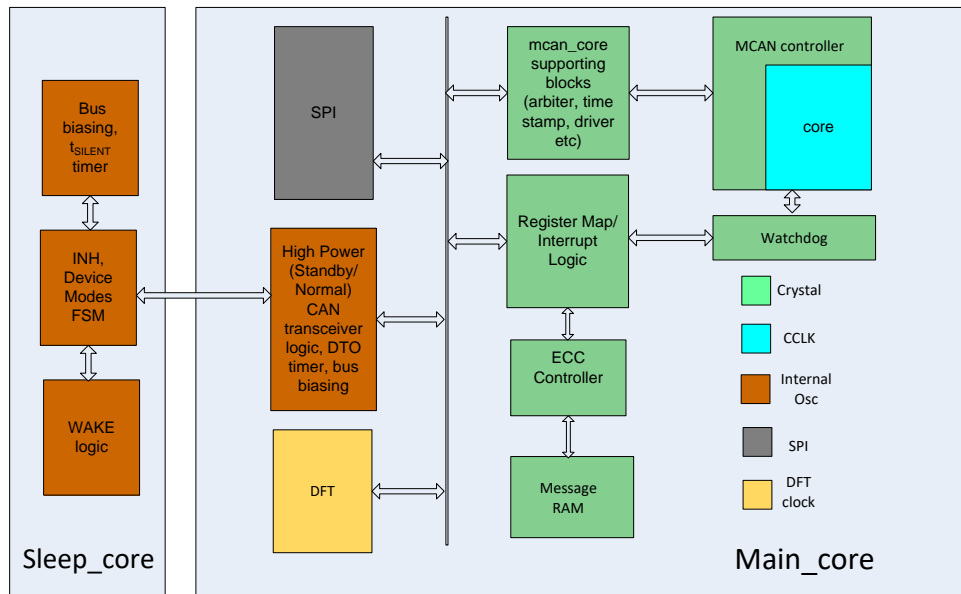


Figure 3. Digital Core Block Diagram and Clock Tree

3.2 Target Applications

The TCAN4550-Q1 is targeted at general-purpose automotive applications.

Examples of these types of applications include but are not limited to the applications that follow:

- General purpose applications where processor does not support CAN FD. See [Figure 4](#)
- CAN FD port expander

[Figure 5](#) provides potential failure points that have diagnostic or test ability mechanisms. See [Table 1](#) for each potential failure point and subsection discussing this failure point.

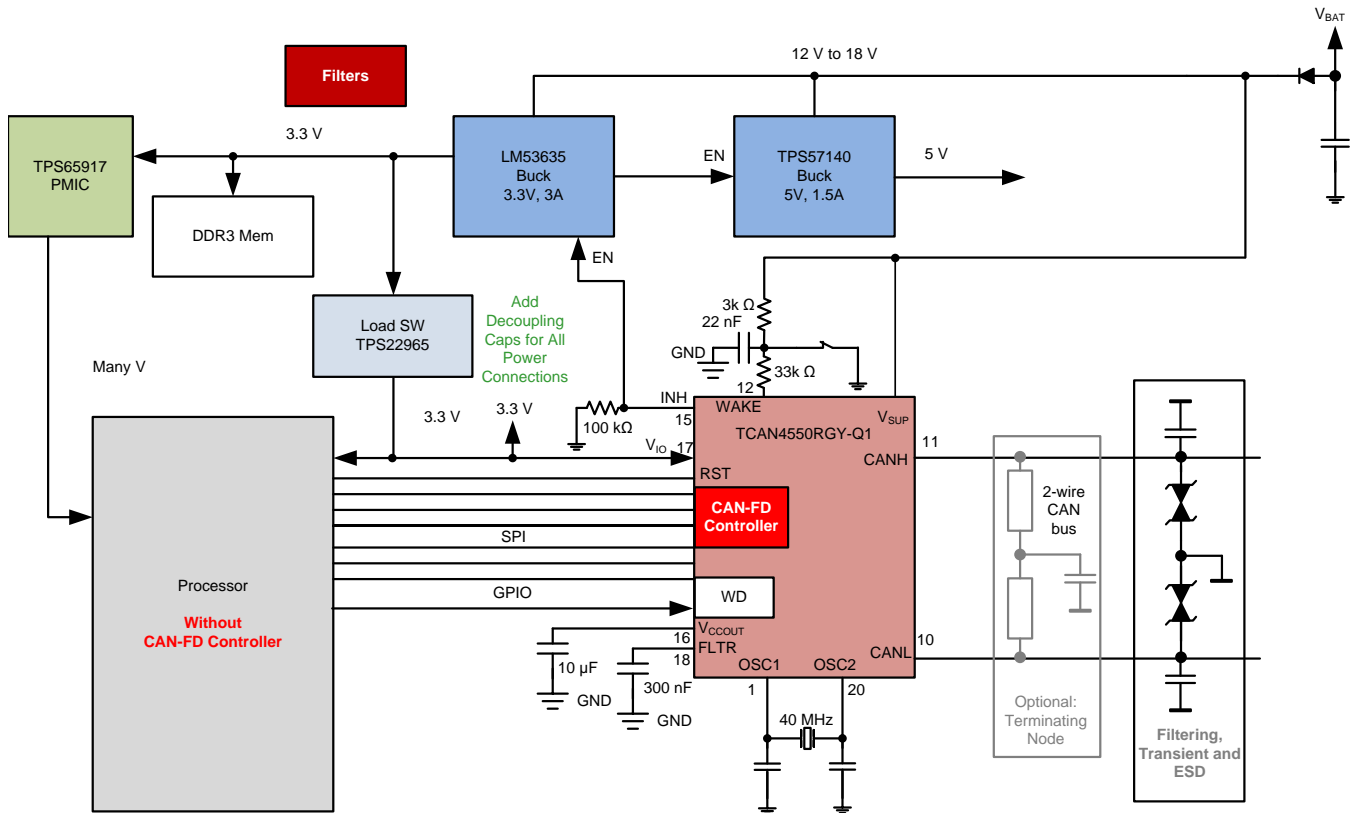


Figure 4. General Purpose Application

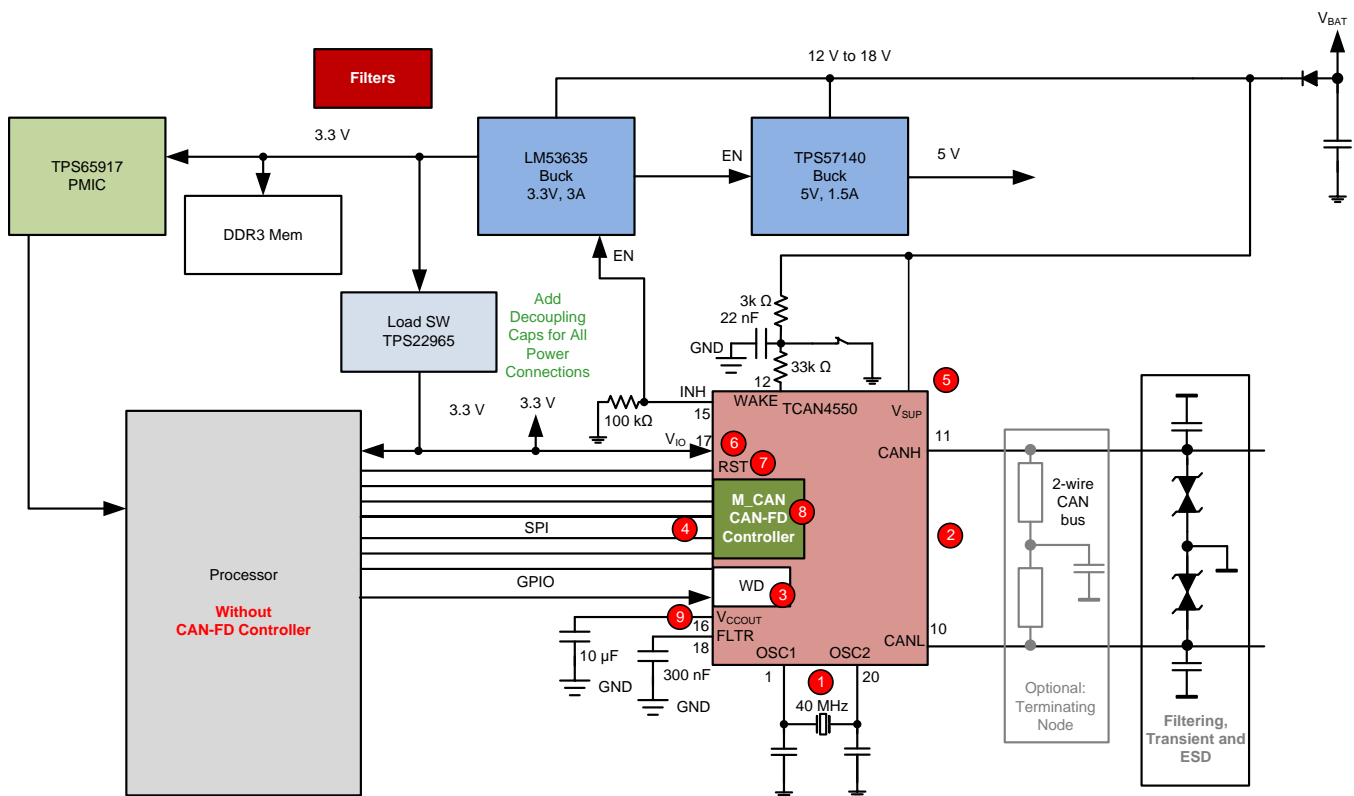


Figure 5. Potential Failure Points

Table 1. Potential Failure Points and Section Figure 5

Potential Failure Point from Figure 5	Potential Failure Point Description	Section
1	Loss of clock input	See Section 3.2.1.2 and Section 3.2.1.3
2	CAN bus	See Section 3.2.1.3 , Section 3.2.1.4 , Section 3.2.1.5 and Section 3.2.1.6.5
3	Watchdog	See Section 3.2.1.6.2
4	SPI/Processor communication	See Section 3.2.1.6.1 , Section 3.2.1.2 , Section 3.2.1.3 , Section 3.2.1.6.2 , Section 3.2.1.6.3 and Section 3.2.1.6.5
5	Loss of V_{SUP}	See Section 3.2.1.2 , Section 3.2.1.3 and Section 3.2.1.6.5
6	Loss of V_{IO}	See Section 3.2.1.2 , Section 3.2.1.3 and Section 3.2.1.6.5
7	RST pin failure	See Section 3.2.1.6.3 and Section 3.2.1.6.4
8	M_CAN Controller	See Section 3.2.1.5 and Section 3.2.1.6.5
9	Loss of V_{CCOUT}	See Section 3.2.1.3 , Section 3.2.1.4 and Section 3.2.1.6.5

Table 2. Safety-Mechanisms

Safety-Mechanism #	Name	Description	Safety-Manual Section
SM-01	Sleep Wake Error Timer (SWE) $t_{INACTIVE}$	Timer used for inactivity of expected functions. Puts the device into Sleep mode	3.2.1.2
SM-02	UV_{SUP}	V_{SUP} undervoltage detection and Interrupt 16'h0820[22]	3.2.1.3
SM-03	UV_{IO}	V_{IO} undervoltage detection and Interrupt 16'h820[21]	3.2.1.3
SM-04	UV_{CCOUT}	V_{CCOUT} undervoltage detection and Interrupt 16'h0820[22]	3.2.1.3
SM-05	TSD	Thermal Shutdown and Interrupt 16'h0820[19]	3.2.1.4
SM-06	IOS	CAN bus short circuit current limiter	3.2.1.5
SM-07	SPI & M_CAN Test Mode	Test Mode	3.2.1.5
SM-08	SPI & M_CAN Loop Back Test Mode 1	Test Mode	3.2.1.5
SM-09	SPI & M_CAN Loop Back Test Mode 2	Test Mode	3.2.1.5
SM-10	CAN Transceiver Test Mode	Test Mode	3.2.1.5
SM-11	PED interrupt	Protocol Error in Data Phase; 16'h1050[28] points to 16'h1044[10:8] DLEC[2:0]; Data Phase Last Error Code	3.2.1.5 .1
SM-12	PEA interrupt	Protocol Error in Arbitration Phase; 16'h1050[27] points to 16'h1044[2:0] LEC[2:0]; Last Error Code	3.2.1.5 .1
SM-13	BEU interrupt	Bit Error Uncorrected; 16'h1050[21] Message RAM bit error detected, uncorrected	3.2.1.5 .1
SM-14	Scratchpad write/read		3.2.1.6.1.1
SM-15	SPIERR flag	SPI error detection and Interrupt 16'h0820[3]	3.2.1.6.1.2
SM-16	M_CAN forced dominant and recessive		3.2.1.6.1.3
SM-17	SPI and FIFO	TX and RX event FIFO	3.2.1.6.1.4
SM-18	ECC for Memory	ECCERR detection and Interrupt 16'h0820[16]	3.2.1.6.1.5
SM-19	Timeout Watchdog	WDTO detection and Interrupt 16'h0820[18]	3.2.1.6.2
SM-20	SCLK internal pull-up	Floating pins	3.2.1.6.3
SM-21	SDI internal pull-up	Floating pins	3.2.1.6.3

Table 2. Safety-Mechanisms (continued)

Safety-Mechanism #	Name	Description	Safety-Manual Section
SM-22	nCS internal pull-up	Floating pins	3.2.1.6.3
SM-23	nWKRQ internal pull-up	Floating pins	3.2.1.6.3
SM-24	RST internal pull-down	Floating pins	3.2.1.6.3
SM-25	RST Pin	System POR reset	3.2.1.6.4

3.2.1 Diagnostic Features

The TCAN4550-Q1 device has several features that determines specific fault conditions in a system and indicate this back to the processor or place the device into a protected state that may include Sleep mode. Figure 5 is used to indicate these fault conditions. Figure 6 provides the devices state diagram and shows two protected modes and Sleep mode.

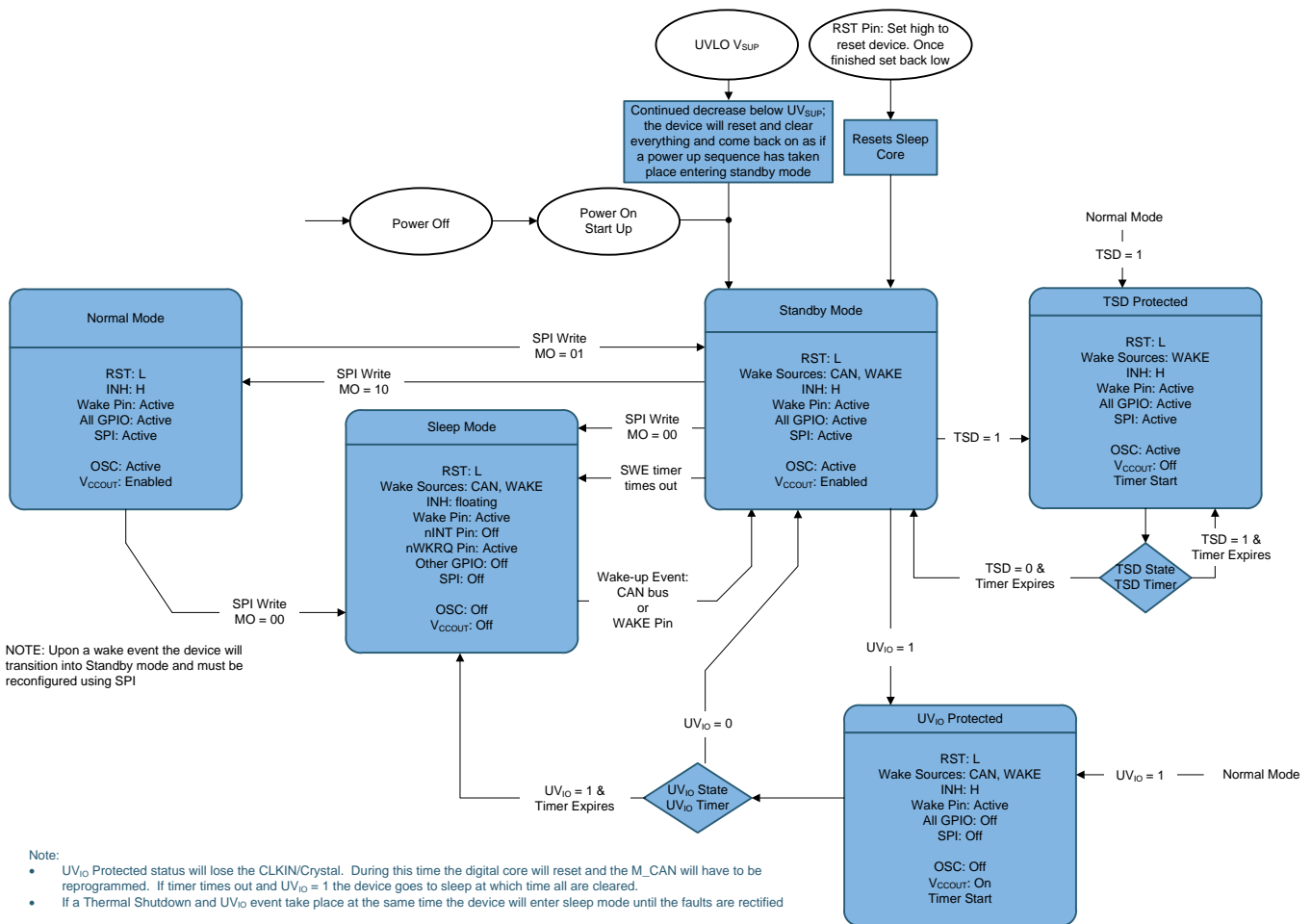


Figure 6. State Diagram

3.2.1.1 Mode Overview

The TCAN4550-Q1 has several operating modes: Normal, Standby and Sleep modes, as well as two protected modes. The first three mode selections are made by the writing to SPI register. The two protected modes are modified Standby modes used to protect the device or bus and are entered from a fault condition only. The TCAN4550-Q1 automatically goes from Sleep to Standby mode when receiving a WUP or LWU event. See [Table 3](#) for the various modes and what parts of the device are active during the each mode.

The TCAN4550-Q1 state diagram figure, see [Figure 6](#), shows the biasing of the CAN bus in each of the modes of operation.

Table 3. Mode Overview

Mode	RST Pin	nINT	nWKRQ	INH	GPO2	Low Power CAN RX	WAKE Pin	WD	SPI	GPIO1	OSC	CAN TX/ RX	V _{CCOUT}	Memory & Configuration
Normal	L	On	On	On	On	Off	Off	On	On	On	On	On	On	Saved
Standby	L	On	On	On	On	On	On	On	On	On	On	Off	On	Saved
TSD Protected	L	On	On	On	On	On	On	On	On	On	On	Off	Off	Saved
UV _{IO} Protected	L	Off	On	Off	Off	On	On	Off	Off	Off	Off	Mode Dependent	On	Saved
Sleep	L	Off	On	Off	Off	On	On	Off	Off	Off	Off	Off	Off	Partially Saved

3.2.1.2 Sleep Wake Error Timer (SWE)

The sleep wake error (SWE) timer is a four minute timer that is used to place the device into Sleep mode due to certain faults. The SWE timer is used to help mitigate certain faults shown by items 1, 4, 5 and 6 in [Figure 5](#) and is considered safety mechanism SM-01.

The TCAN4550-Q1 fail-safe feature is used in order to reduce node power consumption in case of a system issue. Fail-safe is the method the device uses to enter Sleep mode from various other modes when specific issues arise. This feature uses the SWE timer to determine if the node processor can communicate to the TCAN4550-Q1. The SWE timer is default enabled through the SWE_DIS; 16'h0800[1] = 0 but can be disabled by writing a one to this bit. Even when the timer is disabled, the timer automatically works for power up and power on resets. Fail-safe feature is default disabled but can be enabled by writing a one to 16'h0800[13], FAIL-SAFE_EN.

Upon power up the SWE timer, t_{INACTIVE} , starts and the processor has typically four minutes to configure the TCAN4550-Q1, clear the PWRON flag or configure the device for Normal mode; see [Figure 7](#). This feature cannot be disabled. If the device has not had the PWRON flag cleared or been placed into Normal mode, it enters Sleep mode. The device wakes up if the CAN bus provides a WUP or a local wake event takes place, thus entering Standby mode. Once in Standby mode, t_{SILENCE} and t_{INACTIVE} timers starts. If t_{INACTIVE} expires, the device re-enters Sleep mode.

The second failure mechanism that causes the device to use the fail-safe feature, if enabled, is when the device receives a CANINT, CAN bus wake (WUP) or WAKE pin (LWU), while in Sleep mode such that the device leaves Sleep mode and enters Standby mode. The processor has four minutes to clear the flags and place the device into Normal mode. If this does not happen the device enters Sleep mode.

The third failure mechanism that can trigger the failsafe feature is a silent CAN bus. If the CANSLNT flag persists for t_{INACTIVE} . Examples of events that could create this are the CLKIN or crystal stops working, the processor is no longer working and not able to exercise the SPI bus, a go-to-sleep command comes in and the processor is not able to receive it or is not able to respond. See [Figure 7](#).

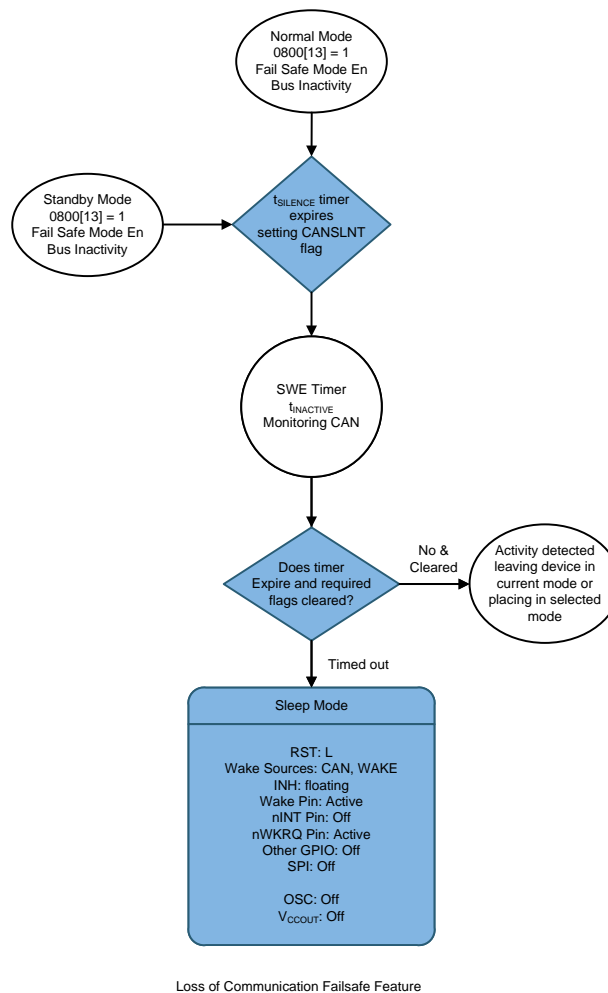
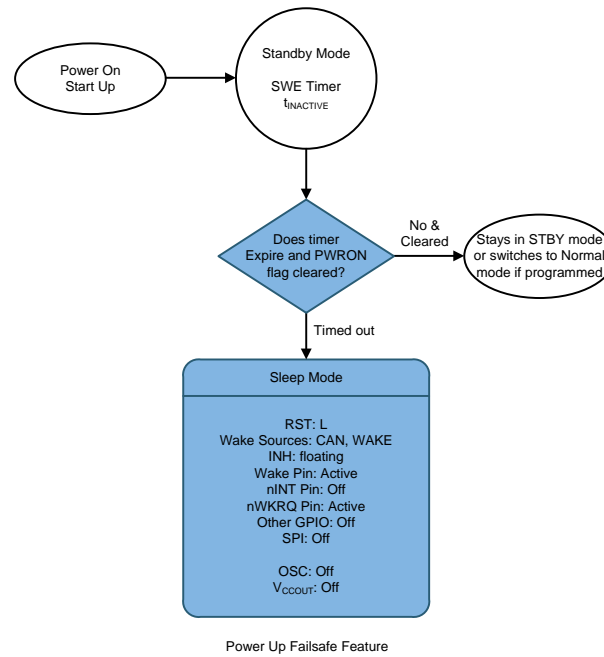


Figure 7. Fail-safe Feature State Diagram

3.2.1.3 Undervoltage

The TCAN4550-Q1 has three undervoltage events that it monitors, UV_{SUP} , UV_{IO} and UV_{CCOUT} . When the supply voltage to V_{SUP} drops below UV_{SUP} threshold the internal regulators may or may not provide the correct voltage levels. The V_{CCOUT} LDO also provides 5 V for the CAN transceiver may enter UV_{CCOUT} at this time. The device then disables the CAN transceiver and start putting the internal logic into a safe state. If V_{SUP} drops more, it eventually reaches the power on reset level. The device comes back up as if it was the first time up once V_{SUP} rises above the UV_{SUP} threshold. When V_{IO} drops below the UV_{IO} threshold the device enters a UV_{IO} protected state. The digital I/O and the Crystal/CLKIN need V_{IO} to perform properly at the correct levels. These undervoltage levels help keep incorrect information off of the bus and vice versa. These help mitigate faults shown as 1, 2, 4, 5, 6 and 9. The undervoltages are covered by safety mechanism SM-02, SM-03 and SM-04.

Table 4. Under Voltage Lockout

V_{SUP}	V_{IO}	V_{CCOUT}	DEVICE STATE	BUS	RXD_INT
$> UV_{SUP}$	$> UV_{VIO}$	$> UV_{CCOUT}$	Normal	Per TXD_INT	Mirrors Bus
$> UV_{SUP}$	$> UV_{VIO}$	$< UV_{CCOUT}$	Protected	High Impedance	High (Recessive)
$< UV_{SUP}$	$> UV_{VIO}$	NA	Protected	High Impedance	High (Recessive)
$> UV_{SUP}$	$< UV_{VIO}$	$> UV_{CCOUT}$	Protected	Recessive	High Impedance
$< UV_{SUP}$	$< UV_{VIO}$	NA	Protected	High Impedance	High Impedance

3.2.1.4 Thermal Shut Down

The TCAN4550-Q1 has a temperature monitor located by two components that can cause thermal issues; V_{CCOUT} LDO and CAN transceiver. This is a device protection mechanism. When TSD temperature is reached, the device enters the TSD protected state as shown in [Figure 6](#). In this state, the V_{CCOUT} LDO is turned off and the CAN transceiver is disabled. This helps mitigate bus communication fault, shown as 2, and V_{CCOUT} issues, shown as 9, in [Figure 5](#) and is considered safety mechanism SM-05. Undervoltage lock out prevents operation of the device and communication with the MCU and the CAN FD Bus when there is insufficient power on V_{SUP} , V_{IO} or V_{CCOUT} .

3.2.1.5 CAN Bus Communication

CAN bus communication, shown as fault 2, is a main concern in a system. This can happen due to many different mechanisms. Some have been covered in the previous sections of this document. The Bosch M_CAN core has a CRC checker that validates the CAN data so corrupted data does not get transferred to the node processor from the bus. The M_CAN core also provide two loop back test modes that allow the implementer to determine if the data transmitted and received through the core are the same; see [Figure 8](#) loop back test mode 1 and 2. These three SPI↔M_CAN test modes are safety mechanism SM-07, SM-08 and SM-09. If an error is detected there are two other test modes that can be utilized to determine if the error is in the digital core or the transceiver; see [Figure 8](#) and [Figure 9](#). Driver and receiver function test modes map the internal TXD_INT_PHY, RXD_INT_PHY and EN_INT signals to GPIO to drive and receive data to CAN bus. [Table 5](#) and [Table 6](#) provide information on CAN bus state when using transceiver test mode and is considered safety mechanism SM-10. Diagnostic tools like dominant state timeout which makes sure the bus is not stuck dominant if the TXD_INT_PHY signal is stuck low. The M_CAN signals TXD_INT_CAN and RXD_INT_CAN can be mapped to GPIO as an aid in diagnostic to determine if the expected data is transmitted from SPI through M_CAN core and vice versa. [Table 5](#) and [Table 6](#) provide information on CAN bus state when using transceiver test mode.

The TCAN4550-Q1 provides CAN bus short circuit current limiting and is considered safety mechanism SM-06. These also mitigate potential faults 4 and 8.

Table 5. Driver Function Table

DEVICE MODE	TXD_INT INPUT	BUS OUTPUTS		DRIVEN BUS STATE
		CANH	CANL	
Normal	L	H	L	Dominant
	H or Open	Z	Z	Biased Recessive

Table 5. Driver Function Table (continued)

DEVICE MODE	TXD_INT INPUT	BUS OUTPUTS		DRIVEN BUS STATE
		CANH	CANL	
Standby	X	Z	Z	Weak Pull to GND
Sleep	X	Z	Z	Weak Pull to GND

Table 6. Receiver Function Table Normal and Standby Modes

DEVICE MODE	CAN DIFFERENTIAL INPUTS $V_{ID} = V_{CANH} - V_{CANL}$	BUS STATE	RXD_INT TERMINAL
Normal	$V_{ID} \geq 0.9\text{ V}$	Dominant	L
	$0.5\text{ V} < V_{ID} < 0.9\text{ V}$	Undefined	Undefined
	$V_{ID} \leq 0.5\text{ V}$	Recessive	H
Standby/Sleep	$V_{ID} \geq 1.15\text{ V}$	Dominant	See TCAN4550-Q1 data sheet figure 24 for more detail
	$0.4\text{ V} < V_{ID} < 1.15\text{ V}$	Undefined	
	$V_{ID} \leq 0.4\text{ V}$	Recessive	
Any	Open ($V_{ID} \approx 0\text{ V}$)	Open	H

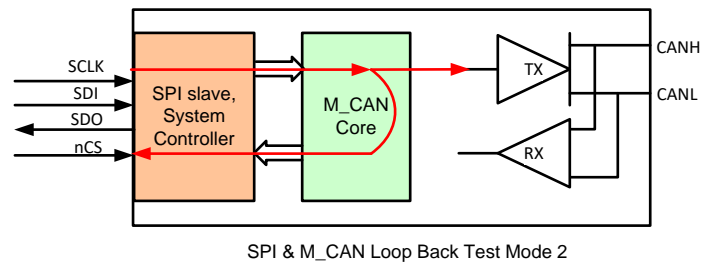
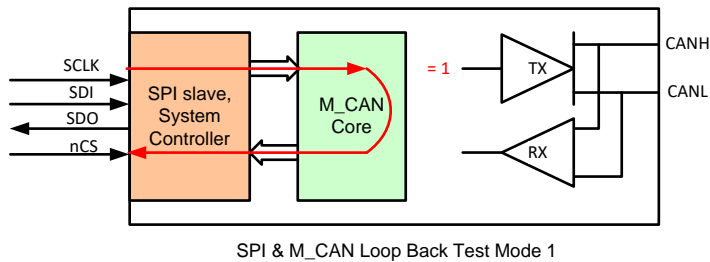
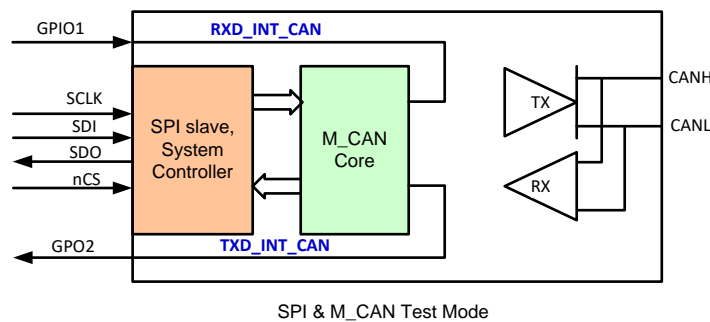


Figure 8. SPI and M_CAN Test Modes

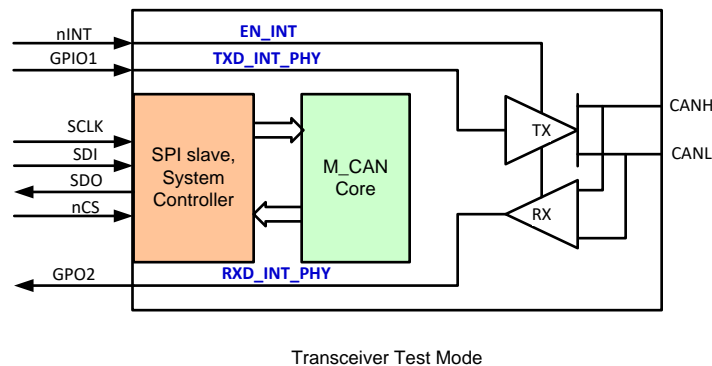


Figure 9. CAN Transceiver Test Mode

3.2.1.5.1 M_CAN

The M-CAN core which is an industry standard core supporting CAN FD and Classical CAN has three interrupts that also lend themselves to confirmation the CAN bus information is accurate. These interrupts are in register 16'h1050 and are as follows:

- 16'h1050[28] is an interrupt bit for Protocol Error in Data Phase (PED). If this bit shows up as a one register 16'h1044[10:8] - DLEC (Data Phase Last Error Code) need to be reviewed to determine the cause of the error. This is safety mechanism SM-11.
- 16'h1050[27] is an interrupt bit for Protocol Error in Arbitration Phase (PEA). If this bit shows up as a one register 16'h1044[2:0] - LEC (Last Error Code) need to be reviewed to determine the cause of the error. This is safety mechanism SM-12.
- 16'h1050[21] is an interrupt for Bit Error Uncorrected (BEU). This is an ECC between the M_CAN core and message RAM. This is safety mechanism SM-13. This is not the same ECC error described in processor communication section.

PED and PEA share the same code when the interrupt is set. These are three bit codes.

- 0 – No Error: No error occurred since LEC has been reset by successful reception or transmission
- 1 – Stuff Error: More than 5 equal bits in a sequence have occurred in a part of a received message where this is not allowed
- 2 – Form Error: A fixed format part of a received frame has the wrong format
- 3 – AckError: The message transmitted by the M_CAN was not acknowledged by another node
- 4 – Bit1Error: During the transmission of a message (with the exception of the arbitration field), the device wanted to send a recessive level (bit of logical value '1'), but the monitored bus value was dominant
- 5 – Bit0Error: During the transmission of a message (or acknowledge bit, or active error flag, or overload flag), the device wanted to send a dominant level (data or identifier bit logical value '0'), but the monitored bus value was recessive. During Bus_Off recovery this status is set each time a sequence of 11 recessive bits has been monitored. This enables the CPU to monitor the proceeding of the Bus_Off recovery sequence (indicating the bus is not stuck at dominant or continuously disturbed)
- 6 – CRCError: The CRC check sum of a received message was incorrect. The CRC of an incoming message does not match with the CRC calculated from the received data
- 7 – NoChange: Any read access to the Protocol Status Register re-initializes the LEC to '7'. When the LEC shows the value '7', no CAN bus event was detected since the last CPU read access to the Protocol Status Register

3.2.1.6 Processor Communication

Communication between the node processor and the TCAN4550-Q1 contain several features that can help determine if there is an issue and have a method for recovery. Several of the previous features like the SWE timer and UV_{IO} help with determining if communication with the processor is possible. Other diagnostic tools that are available are timeout watchdog, floating terminals, device reset and several fault interrupts available through SPI. Signal fail-safe in case of open (floating terminals) allows default state of pin signals in case of an open terminal, see [Table 8](#)

3.2.1.6.1 SPI Integrity

The TCAN4550-Q1 does not support CRC for SPI communication. There are several ways to periodically determine the SPI bus integrity is valid. These cover potential fault 4.

For the most robust and mostly continuous method is double transmit and reads and double reads to determine if the data is the same. This method though robust reduces the bandwidth capabilities of the device so performing several periodic test can be beneficial.

The periodic test that can be performed are as follows:

- Scratchpad write/read, safety mechanism SM-14
- SPIERR flag, safety mechanism SM-15
- M_CAN forced dominant and recessive testing, safety mechanism SM-16
- SPI and FIFO, safety mechanism SM-17
- ECC for memory, safety mechanism SM-18

3.2.1.6.1.1 SPI Scratchpad

Using the TCAN4550-Q1 scratchpad by the processor makes it possible to write and read back data for verification of accuracy. This verifies SPI interface to register space. It can also be accomplished without interfering with CAN bus.

3.2.1.6.1.2 SPIERR

The TCAN4550-Q1 SPI controller checks all SPI transactions for transaction end on a byte boundary and the length of the transaction is what was specified. The SPIERR flag sets if anything is incorrect, see [Table 9](#) for the various issues that sets the SPIERR interrupt.

3.2.1.6.1.3 M_CAN Forced Dominant and Recessive

The TCAN4550-Q1 M_CAN controller is used to force a dominant and recessive output by the processor. The way to accomplish this without impacting the CAN bus is to use two of the SPI & M_CAN test modes at the same time. [Figure 8](#) shows the three SPI & M_CAN test modes. The top two are the ones to utilize for this test. When used together the output goes to the GPO2 pin. This allows the processor to verify the output is what is expected without needing to understand the CAN FD protocol. This is accomplished by using register 16'h0800[21]; TEST_MODE_EN and 16'h0800[0]; TEST_MODE_CONFIG followed by setting test register 16'1010 for M_CAN core. This shows SPI through M_CAN working.

3.2.1.6.1.4 SPI and FIFO

Another method for processor communication is accomplished by it using the Event FIFO for transmitting and receiving. This is initiated by the processor and the TCAN4550-Q1 provides interrupts as described as follows.

For transmitting, enabling the Tx Event FIFO option in the M_CAN requires SPI writes to the Tx Event FIFO acknowledge register to manage the fill level. If these updates are not made, the Tx Event FIFO eventually gives a Tx Event FIFO full (interrupt) and then the Tx Event FIFO Element Lost (interrupt).

For receiving, if the Rx messages are stored in Rx FIFO, then SPI writes are required to the Rx FIFO Acknowledge register to manage the fill level. If this SPI access is not working, the Rx FIFO fills and gives a Rx FIFO 0/1 Full (interrupt) and then Rx FIFO 0/1 Message Lost (interrupt).

These are runtime checks that indirectly ensure the SPI interface is working properly.

3.2.1.6.1.5 ECC for Memory

The TCAN4550-Q1 provides single bit error correct when writing to and reading from MRAM with the integrated ECC function.

For transmitting; when a message is to be transmitted, the data is read from internal MRAM. If during this read (39 bits at a time for 4-bytes of data), a single bit is flipped, then this bit error is automatically detected and corrected. If 2 bits are flipped, M_CAN exits and does not transmit any data. The device drops into Standby Mode. The M_CAN Bit Error Uncorrected (BEU) interrupt is set. This is an uncorrectable error case. There is no provision for 3+ bits being flipped, but statistically this is considered highly improbable. (3+ error bits could alias into pass, 1, or 2 errors)

For receiving; when a received message is being read through SPI, the data is first fetched from MRAM. If during this read (39 bits at a time), a single bit is flipped, it is corrected. If 2 bits are flipped, an ECCERR interrupt is issued to inform the micro the read is corrupt. The ECCERR should be cleared and the read tried again. There is no provision for 3+ bits flipped. This is the SPI to message RAM ECC error and not be confused with the BEU interrupt in bus communication section.

3.2.1.6.2 Timeout Watchdog

The TCAN4550-Q1 contains a watchdog (WD) timeout function. When using the WD timeout function the WD runs continuously. The WD is default enabled and can be configured with four different timer values. WD is active in Normal and Standby modes and off in Sleep mode. Once the device enters Standby or Normal mode the timer does not start until the first input trigger event. This event can be either writing a one to register 16'h0800[18] or if selected, by changing the voltage level on the GPIO1 pin either high or low when configured for watchdog input. If the first trigger is not set the watchdog is disabled. The first trigger can happen in Standby mode or Normal mode. This is system implementation specific. While the timer is running, a SPI command writing a one to 16'h0800[18] resets the WD_TIMER timer, or if configured for pin control the GPIO1 behaves as the watchdog input bit.

The TCAN4550-Q1 has two ways of setting the trigger bit: via a SPI command and, if selected, through a GPI (GPIO1 configured as GPI). When a GPI pin is used any rising or falling edge resets the timer. A watchdog event can be conveyed back to the microprocessor in two methods: interrupt on nINT pin, or if selected, the GPO2 pin can be programmed to toggle upon a WD timeout. A timeout can initiate one of three actions by the TCAN4550-Q1: interrupt, INH toggle plus putting the device into Standby mode or toggle watchdog output reset pin if enabled. The input CLKIN or crystal values needs to be entered into reg 16'h0800[27] and is either 20 MHz or 40 MHz. See [Table 7](#) for the register settings for the watchdog function. This can help mitigate potential faults shown as 3 and 4 and is safety mechanism SM-19.

NOTE:

- If the device enters UV_{IO} protected mode, the watchdog timer is held in reset. When the device returns to Standby mode, the timer resumes counting.
 - Once the command to enter Sleep mode takes place, the WD timer is turned off and does not trigger a watchdog event.
 - If the any of the watchdog registers needs to be changed, the watchdog must be disabled and the change made and then re-enabled.
-

Table 7. Watchdog Registers and Descriptions

Address	BIT(S)	Field	Type	Reset	DESCRIPTION
16'h0800	29:28	WD_TIMER	R/W	2'b00	WD_TIMER: Watchdog timer 00 = 60 ms 01 = 600 ms 10 = 3 s 11 = 6 s
	27	CLK_REF	R/W	1'b1	CLK_REF: CLKIN/Crystal frequency reference 0 = 20 MHz 1 = 40 MHz
	23:22	GPO2_CONFIG	R/W	2'b00	GPO2_CONFIG: GPO2 configuration 00 = No action 01 = M_CAN_INT 0 interrupt (active low) 10 = Watchdog output 11 = Mirrors nINT pin
	18	WD_BIT_SET	W1C	1'b0	WD_BIT_SET: write a 1 to reset timer: if times out; this bit sets and then the selected action from register 16'h0800[17:16] takes place. Note: This is a self-clearing bit. Writing a 1 resets the timer and then the bit clears.
	17:16	WD_ACTION	R/W	2'b00	WD_ACTION: Selected action when WD_TIMER times out 00 = Set interrupt flag and if a pin is configure to reflect WD output as an interrupt the pin shows a low. 01 = Pulse INH pin and place device into Standby mode – high - low - high ≈300 ms 10 = Pulse watchdog output pin if enabled – high - low - high ≈300 ms 11 = Reserved Note: Interrupt flag is always set for a WD timeout event.
	15:14	GPIO1_CONFIG	RW	2'b01	GPIO1_CONFIG: GPIO1 Pin Function Select 00 = GPO 01 = Reserved 10 = GPI – Automatically becomes a WD input trigger pin. 11 = Reserved
	3	WD_EN	RXU	1'b1	WD_EN - Watchdog Enable 0 = Disable 1 = Enabled

3.2.1.6.3 Floating Pins

In case of open (floating pins) default state of pin are provided by integrated pull-up or pull-down resistors incase of an open pin. See [Table 8](#) for details on pin bias conditions. These known states help keep device pins at a defined level thus helping mitigate faults 4 and 7

Table 8. Terminal Bias

Safety-Mechanism #	Pin	Pull-up or Pull-down	COMMENT
SM-20	SCLK	Pull up	Weakly biases input
SM-21	SDI	Pull up	Weakly biases input
SM-22	nCS	Pull up	Weakly biases input so the device is not selected
SM-23	nWKRQ	Pull up	Weakly biases output when using internal voltage rail. When using open drain configuration an external pull up is needed.
SM-24	RST	Pull down	Weakly biases RST pin towards Normal operation mode

NOTE: The internal bias should not be relied upon as only termination, especially in noisy environments but should be considered a fail-safe protection. Special care needs to be taken when the device is used with MCUs utilizing open drain outputs.

3.2.1.6.4 RST Pin

The RST pin is a device reset pin. It has a weak internal pull down resistor for normal operation. If communication has stopped with the TCAN4550-Q1 the RST pin can be pulsed high and then back low for greater than t_{PULSE_WIDTH} to perform a power on reset to the device. This resets the device to the default settings and puts the device into Standby mode. If the device was in Normal or Standby mode, the INH and nWKQR pins remain active (on) and does not toggle; see Figure 10. If the device is in Sleep mode and reset is toggled, the device enters Standby mode and at that time INH and nWKQR turns on; see Figure 11. This is considered SM-25.

After a RST has taken place a wait time of $\geq 700 \mu s$ should be used before reading or writing to the TCAN4550-Q1

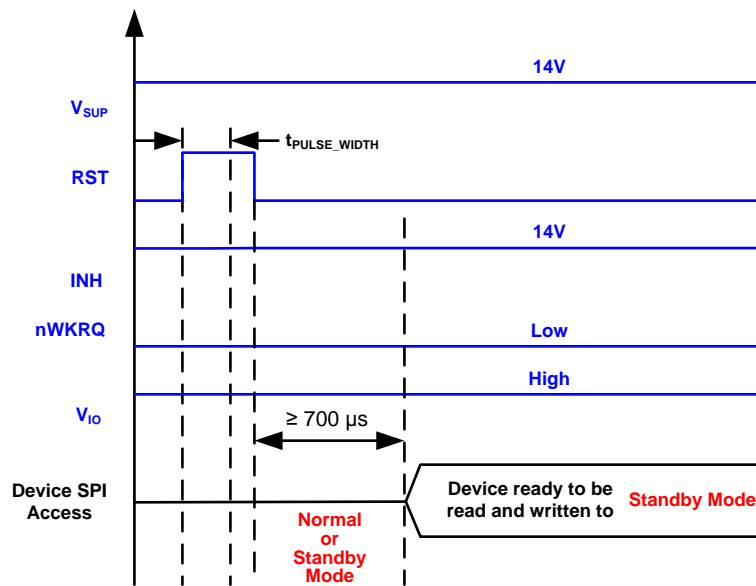


Figure 10. Timing for RST Pin in Normal and Standby Modes

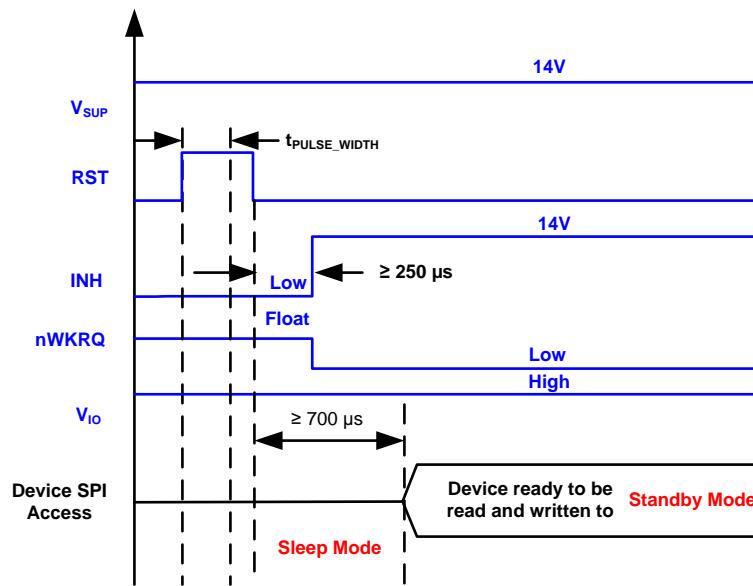


Figure 11. Timing for RST Pin in Sleep Mode

3.2.1.6.5 Interrupt and Internal Fault Detection

The TCAN4550-Q1 provides error detection and status notification register and interrupts to notify the host MCU of errors on internal transactions and SPI transactions, see Table 9. It also contains internal RAM (FIFO Buffer) ECC protection. The internal RAM is protected by ECC for single bit correction due to transient faults impacting RAM content during the read operation. See Table 10 and Table 11 for device interrupts and M_CAN specific interrupts. The Bosch M_CAN core has many other interrupt and fault tools that are provided in the data sheet.

NOTE: Though these interrupts show certain failures the ones associated to safety mechanism have been included in the document above.

Table 9. Internal SPI Status Field Descriptions (Address h000C)

Bit	Field	Type	Reset	Description
31:30	RSVD	RO	1'b0	Reserved
29	Internal_read_error	W1C	1'b0	Internal read received an error response
28	Internal_write_error	W1C	1'b0	Internal write received an error response
27	Internal_error_log_write	W1C	1'b0	Entry written to the Internal error log
26	Read_fifo_underflow	W1C	1'b0	Read FIFO underflow after 1 or more read data words returned
25	Read_fifo_empty	W1C	1'b0	Read FIFO empty for first read data word to return
24	Write_fifo_overflow	W1C	1'b0	Write/command FIFO overflow
23:22	RSVD	RO	1'b0	Reserved
21	SPI_end_error	W1C	1'b0	SPI transfer did not end on a byte boundary
20	Invalid_command	W1C	1'b0	Invalid SPI command received
19	Write_overflow	W1C	1'b0	SPI write sequence had continue requests after the data transfer was completed
18	write_underflow	W1C	1'b0	SPI write sequence ended with less data transferred then requested
17	Read_overflow	W1C	1'b0	SPI read sequence had continue requests after the data transfer was completed
16	read_underflow	W1C	1'b0	SPI read sequence ended with less data transferred then requested

Table 9. Internal SPI Status Field Descriptions (Address h000C) (continued)

Bit	Field	Type	Reset	Description
15:8	RSVD	RO	8'h00	Reserved
7:6	RSVD	RO	1'b0	Reserved
5	Write_fifo_available	RO	1'b0	write fifo empty entries is greater than or equal to the write_fifo_threshold
4	Read_fifo_available	RO	1'b0	Read fifo entries is greater than or equal to the read_fifo_threshold
3	Internal_access_active	RO	U	Internal Multiple transfer mode access in progress
2	Internal_error_interrupt	RO	1'b0	Unmasked Internal error set
1	SPI_error_interrupt	RO	1'b0	Unmasked SPI error set
0	Interrupt	RO	U	Value of interrupt input level (active high)

Table 10. Interrupts Field Descriptions (Address h0820)

Bit	Field	Type	Reset	Description
31	CANBUSNOM	RU	1'b0	CAN Bus normal (Flag and Not Interrupt) Changes to 1 when in Normal mode after first Dom to Rec transition
30:24	RSVD	R	7b'0000000	Reserved
23	SMS	R/WC	1'b0	Sleep Mode Status (Flag & Not an interrupt) Only sets when Sleep mode is entered by a WKERR, UVIO timeout, or UVIO+TSD fault
22	UVSUP	R/WC	1'b0	Under Voltage V_{SUP} and UV_{CCOUT}
21	UVIO	R/WC	1'b0	Under Voltage V_{IO}
20	PWRON	R/WC/U	1'b1	Power ON
19	TSD	R/WC	1'b0	Thermal Shutdown
18	WDTO	RU/WC	1'b0	Watchdog Time Out
17	RSVD	R	1'b0	Reserved
16	ECCERR	R/WC	1'b0	Uncorrectable ECC error detected
15	CANINT	R/WC	1'b0	Can Bus Wake Up Interrupt
14	LWU	R/WC	1'b0	Local Wake Up
13	WKERR	R/WC	1'b0	Wake Error
12	RSVD	R	1'b0	Reserved
11	RSVD	R	1'b0	Reserved
10	CANSLNT	R/WC	1'b0	CAN Silent
9	RSVD	R	1'b0	Reserved
8	CANDOM	R/WC	1'b0	CAN Stuck Dominant
7	GLOBALERR	R	1'b0	Global Error (Any Fault)
6	WKRQ	R	1'b0	Wake Request
5	CANERR	R	1'b0	CAN Error
4	RSVD	R	1'b0	RSVD
3	SPIERR	R	1'b0	SPI Error
2	RSVD	R	1'b0	Reserved
1	M_CAN_INT	R	1'b0	M_CAN global INT
0	VTWD	R	1'b0	Global Voltage, Temp or WDTO

GLOBALERR: Logical OR of all faults in registers 0x0820-0824.

WKRQ: Logical OR of CANINT, LWU and WKERR.

CANBUSNOM is not an interrupt but a flag. In Normal mode after the first dominant-recessive transition, it is set. It resets to 0 when entering Standby or Sleep modes or when a bus fault condition takes place in Normal mode.

CANERR: Logical OR of CANSLNT and CANDOM faults.

SPIERR: is set if any of the SPI status register 16'h000C[30:16] is set.

- In the event of a SPI underflow, the error is not detected/alerted until the start of the next SPI transaction.
- 16'h0010[30:16] are the mask for these errors

VTWD: Logical or of UV_{CCOUT}, UVSUP, UVVIO, TSD, WDTO (Watchdog time out) and ECCERR.

CANINT: Indicates a WUP has occurred; Once a CANINT flag is set, LWU events are ignored. Flag can be cleared by changing to Normal or Sleep modes.

LWU: Indicates a local wake event, from toggling the WAKE pin, has occurred. Once a LWU flag is set, CANINT events is ignored. Flag can be cleared by changing to Normal or Sleep modes.

WKERR: If the device receives a wake up request WUP and does not transition to Normal mode or clear the PWRON or Wake flag before $t_{INACTIVE}$, the device transitions to Sleep Mode. After the wake event, a Wake Error (WKERR) is reported and the SMS flag is set to 1.

NOTE: PWRON Flag is cleared by either writing a 1 or by going to Sleep mode or Normal mode from Standby mode.

Table 11. MCAN Interrupts Field Descriptions (Address h0824)

Bit	Field	Type	Reset	Description
31:30	RSVD	R	1'b0	Reserved
29	ARA	R	1'b0	ARA: Access to Reserved Address
28	PED	R	1'b0	PED: Protocol Error in Data Phase (Data Bit Time is used)
27	PEA	R	1'b0	PEA: Protocol Error in Arbitration Phase (Nominal Bit Time is used)
26	WDI	R	1'b0	WDI: Watchdog Interrupt
25	BO	R	1'b0	BO: Bus_Off Status
24	EW	R	1'b0	EW: Warning Status
23	EP	R	1'b0	EP: Error Passive
22	ELO	R	1'b0	ELO: Error Logging Overflow
21	BEU	R	1'b0	BEU: Bit Error Uncorrected
20	BEC	R	1'b0	BEC: Bit Error Corrected
19	DRX	R	1'b0	DRX: Message stored to Dedicated Rx Buffer
18	TOO	R	1'b0	TOO: Timeout Occurred
17	MRAF	R	1'b0	MRAF: Message RAM Access Failure
16	TSW	R	1'b0	TSW: Timestamp Wraparound
15	TEFL	R	1'b0	TEFL: Tx Event FIFO Element Lost
14	TEFF	R	1'b0	TEFF: Tx Event FIFO Full
13	TEFW	R	1'b0	TEFW: Tx Event FIFO Watermark Reached
12	TEFN	R	1'b0	TEFN: Tx Event FIFO New Entry
11	TFE	R	1'b0	TFE: Tx FIFO Empty
10	TCF	R	1'b0	TCF: Transmission Cancellation Finished
9	TC	R	1'b0	TC: Transmission Completed
8	HPM	R	1'b0	HPM: High Priority Message
7	RF1L	R	1'b0	RF1L: Rx FIFO 1 Message Lost
6	RF1F	R	1'b0	RF1F: Rx FIFO 1 Full
5	RF1W	R	1'b0	RF1W: Rx FIFO 1 Watermark Reached
4	RF1N	R	1'b0	RF1N: Rx FIFO 1 New Message
3	RF0L	R	1'b0	RF0L: Rx FIFO 0 Message Lost
2	RF0F	R	1'b0	RF0F: Rx FIFO 0 Full

Table 11. MCAN Interrupts Field Descriptions (Address h0824) (continued)

Bit	Field	Type	Reset	Description
1	RF0W	R	1'b0	RF0W: Rx FIFO 0 Watermark Reached
0	RF0N	R	1'b0	RF0N: Rx FIFO 0 New Message

4 Development Process for Management of Systematic Faults

4.1 TI New-Product Development Process

Texas Instruments has been developing mixed-signal automotive ICs for functional safety-critical and nonsafety critical automotive applications for over fifteen years. Automotive markets have strong requirements regarding quality management and product reliability. Though not explicitly developed for compliance to a functional safety standard, the TI new-product development process already featured many elements necessary to manage systematic faults.

The device was developed using TI’s new product development process which has been certified as compliant to ISO 9001 / IATF 16949 as assessed by Det Norske Veritas Certification, Inc.

The standard development process breaks development into phases:

- Assess
- Plan
- Create
- Validate

Figure 12 shows the standard process.

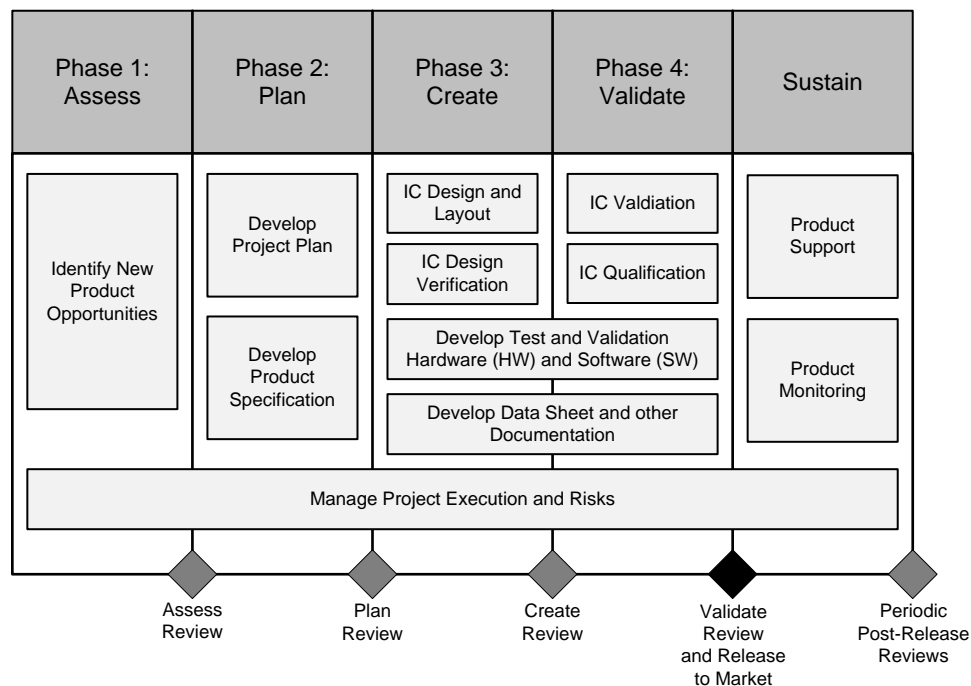


Figure 12. TI New-Product Development Process

IMPORTANT NOTICE AND DISCLAIMER

TI PROVIDES TECHNICAL AND RELIABILITY DATA (INCLUDING DATASHEETS), DESIGN RESOURCES (INCLUDING REFERENCE DESIGNS), APPLICATION OR OTHER DESIGN ADVICE, WEB TOOLS, SAFETY INFORMATION, AND OTHER RESOURCES "AS IS" AND WITH ALL FAULTS, AND DISCLAIMS ALL WARRANTIES, EXPRESS AND IMPLIED, INCLUDING WITHOUT LIMITATION ANY IMPLIED WARRANTIES OF MERCHANTABILITY, FITNESS FOR A PARTICULAR PURPOSE OR NON-INFRINGEMENT OF THIRD PARTY INTELLECTUAL PROPERTY RIGHTS.

These resources are intended for skilled developers designing with TI products. You are solely responsible for (1) selecting the appropriate TI products for your application, (2) designing, validating and testing your application, and (3) ensuring your application meets applicable standards, and any other safety, security, or other requirements. These resources are subject to change without notice. TI grants you permission to use these resources only for development of an application that uses the TI products described in the resource. Other reproduction and display of these resources is prohibited. No license is granted to any other TI intellectual property right or to any third party intellectual property right. TI disclaims responsibility for, and you will fully indemnify TI and its representatives against, any claims, damages, costs, losses, and liabilities arising out of your use of these resources.

TI's products are provided subject to TI's Terms of Sale (www.ti.com/legal/termsofsale.html) or other applicable terms available either on ti.com or provided in conjunction with such TI products. TI's provision of these resources does not expand or otherwise alter TI's applicable warranties or warranty disclaimers for TI products.

Mailing Address: Texas Instruments, Post Office Box 655303, Dallas, Texas 75265
Copyright © 2020, Texas Instruments Incorporated