

# TMUX1072 過電圧検出および保護機能付きの2チャンネル、2:1アナログ・マルチプレクサ

## 1 特長

- 2.3V~5.5V の電源電圧範囲
- 電源オフ保護：  
 $V_{CC} = 0V$  のとき、I/O ピンは Hi-Z
- フォルト表示ピンによる 6V 過電圧および過熱検出
- COMピンで 18V の過電圧保護 (OVP)
- $V_{CC}$  を超えて最高 5.5V までの信号に対応
- 低い  $R_{ON}$  : 6 $\Omega$
- BW : 1.2GHz (標準値)
- $C_{ON}$  : 4.5pF (標準値)
- 低消費電力のディセーブル・モード
- 1.8V 互換のロジック入力
- JESD 22 を超える ESD 保護
  - 人体モデル (HBM) 2000V
- 2.00mm x 1.70mm の小型 QFN パッケージで供給

## 2 アプリケーション

- [データ・アキュイジション \(DAQ\)](#)
- [現場用計測機器](#)
- [ビデオ監視](#)
- [HVAC システム](#)
- [リア・カメラ](#)

## 3 概要

TMUX1072は高速、2チャンネル、2:1のアナログ・スイッチで、過電圧検出と電源オフ保護が内蔵されています。このデバイスは双方向で、2:1または1:2のスイッチとして使用でき、 $V_{CC}$ を超えて最高5.5Vまでの信号に対応できます。

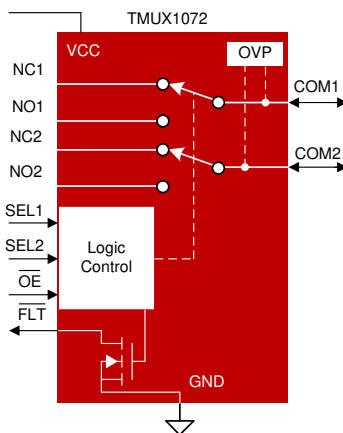
TMUX1072のI/Oピン上の保護機能は最高18Vまで耐えられ、自動シャットオフ回路により、スイッチより後にあるシステムの部品を損傷から保護できます。この保護機能は電源シーケンスに使用されます。システム内の一部の基板は、他の基板で信号の受信準備が整う前に電源オンにすることができます。このデバイスは過電圧および過熱イベントを検出し、 $\overline{FLT}$  ピン経由でオープン・ドレイン信号を出力します。

### 製品情報<sup>(1)</sup>

型番	パッケージ	本体サイズ(公称)
TMUX1072	UQFN (12)	2.00mmx1.70mm
	VSSOP (10)	3.00mmx5.00mm

(1) 提供されているすべてのパッケージについては、巻末の注文情報を参照してください。

### 概略回路図



## 目次

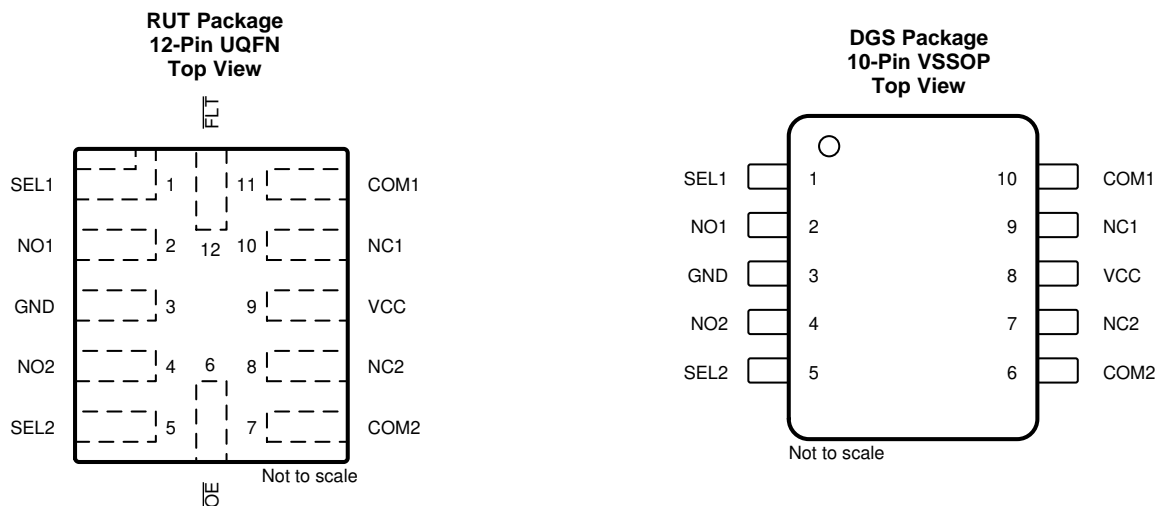
<b>1</b>	<b>特長</b> .....	<b>1</b>	8.3	Feature Description .....	<b>15</b>
<b>2</b>	<b>アプリケーション</b> .....	<b>1</b>	8.4	Device Functional Modes .....	<b>16</b>
<b>3</b>	<b>概要</b> .....	<b>1</b>	<b>9</b>	<b>Application and Implementation</b> .....	<b>17</b>
<b>4</b>	<b>改訂履歴</b> .....	<b>2</b>	9.1	Application Information .....	<b>17</b>
<b>5</b>	<b>Pin Configuration and Functions</b> .....	<b>3</b>	9.2	Typical Application .....	<b>17</b>
<b>6</b>	<b>Specifications</b> .....	<b>4</b>	<b>10</b>	<b>Power Supply Recommendations</b> .....	<b>18</b>
6.1	Absolute Maximum Ratings .....	<b>4</b>	<b>11</b>	<b>Layout</b> .....	<b>18</b>
6.2	ESD Ratings .....	<b>4</b>	11.1	Layout Guidelines .....	<b>18</b>
6.3	Recommended Operating Conditions .....	<b>4</b>	11.2	Layout Example .....	<b>19</b>
6.4	Thermal Information .....	<b>5</b>	<b>12</b>	<b>デバイスおよびドキュメントのサポート</b> .....	<b>20</b>
6.5	Electrical Characteristics .....	<b>5</b>	12.1	ドキュメントのサポート .....	<b>20</b>
6.6	Dynamic Characteristics .....	<b>8</b>	12.2	ドキュメントの更新通知を受け取る方法 .....	<b>20</b>
6.7	Timing Requirements .....	<b>8</b>	12.3	コミュニティ・リソース .....	<b>20</b>
6.8	Typical Characteristics .....	<b>9</b>	12.4	商標 .....	<b>20</b>
<b>7</b>	<b>Parameter Measurement Information</b> .....	<b>10</b>	12.5	静電気放電に関する注意事項 .....	<b>20</b>
<b>8</b>	<b>Detailed Description</b> .....	<b>14</b>	12.6	Glossary .....	<b>20</b>
8.1	Overview .....	<b>14</b>	<b>13</b>	<b>メカニカル、パッケージ、および注文情報</b> .....	<b>20</b>
8.2	Functional Block Diagram .....	<b>14</b>			

## 4 改訂履歴

資料番号末尾の英字は改訂を表しています。その改訂履歴は英語版に準じています。

<b>Revision B (June 2019) から Revision C に変更</b>		<b>Page</b>
•	追加 Typical Characteristics curves for AC parameters .....	<b>9</b>
•	Added the <i>Application Curves</i> section .....	<b>18</b>
<b>Revision A (August 2018) から Revision B に変更</b>		<b>Page</b>
•	「特長」を「COMピンで 0V~18V の過電圧保護 (OVP)」から「COMピンで 0V~6V の過電圧保護 (OVP)」に変更 .....	<b>1</b>
<b>2018年4月発行のものから更新</b>		<b>Page</b>
•	デバイスのステータスを「事前情報」から「量産データ」に変更 .....	<b>1</b>

## 5 Pin Configuration and Functions



### Pin Functions

NAME	PIN		I/O	DESCRIPTION
	RUT	DGS		
SEL1	1	1	I	Switch select 1
NO1	2	2	I/O	Signal path NO1
GND	3	3	GND	Ground
NO2	4	4	I/O	Signal path NO2
SEL2	5	5	I	Switch select 2
$\overline{\text{OE}}$	6	-	I	Output enable (Active low)
COM2	7	6	I/O	Common signal path 2
NC2	8	7	I/O	Signal path NC2
VCC	9	8	PWR	Supply Voltage
NC1	10	9	I/O	Signal path NC1
COM1	11	10	I/O	Common signal path 1
$\overline{\text{FLT}}$	12	-	O	Fault indicator output pin (Active low) - open drain. If feature is unused, pin may be left floating or connected to ground

## 6 Specifications

### 6.1 Absolute Maximum Ratings

 over operating free-air temperature range (unless otherwise noted)<sup>(1) (2)</sup>

		MIN	MAX	UNIT
V <sub>CC</sub>	Supply voltage <sup>(3)</sup>	-0.5	6	V
V <sub>I/O</sub>	Input/Output DC voltage (COM1, COM2) <sup>(3)</sup>	-0.5	20	V
	Input/Output DC voltage (NC1, NO1, NC2, NO2) <sup>(3)</sup>	-0.5	6	V
V <sub>I</sub>	Digital input voltage (SEL1, SEL2, $\overline{OE}$ )	-0.5	6	V
V <sub>O</sub>	Digital output voltage ( $\overline{FLT}$ )	-0.5	6	V
I <sub>K</sub>	Input-output port diode current (COM1, COM2, NC1, NO1, NC2, NO2)	V <sub>IN</sub> < 0	-50	mA
I <sub>IK</sub>	Digital logic input clamp current (SEL1, SEL2, $\overline{OE}$ ) <sup>(3)</sup>	V <sub>I</sub> < 0	-50	mA
I <sub>CC</sub>	Continuous current through VCC		100	mA
I <sub>GND</sub>	Continuous current through GND	-100		mA
T <sub>stg</sub>	Storage temperature	-65	150	°C
T <sub>J</sub>	Operating Junction Temperature	-65	150	°C

- (1) Stresses beyond those listed under *Absolute Maximum Ratings* may cause permanent damage to the device. These are stress ratings only, which do not imply functional operation of the device at these or any other conditions beyond those indicated under *Recommended Operating Conditions*. Exposure to absolute-maximum-rated conditions for extended periods may affect device reliability.
- (2) The algebraic convention, whereby the most negative value is a minimum and the most positive value is a maximum.
- (3) All voltages are with respect to ground, unless otherwise specified.

### 6.2 ESD Ratings

		VALUE	UNIT
V <sub>(ESD)</sub>	Electrostatic discharge	Human body model (HBM), per ANSI/ESDA/JEDEC JS-001 <sup>(1)</sup>	±2000
		Charged-device model (CDM), per JEDEC specification JESD22-C101 <sup>(2)</sup>	±1000

- (1) JEDEC document JEP155 states that 500-V HBM allows safe manufacturing with a standard ESD control process.
- (2) JEDEC document JEP157 states that 250-V CDM allows safe manufacturing with a standard ESD control process.

### 6.3 Recommended Operating Conditions

		MIN	MAX	UNIT
V <sub>CC</sub>	Supply voltage	2.3	5.5	V
V <sub>I/O</sub>	Analog input/output	COM1, COM2	0	18
V <sub>I/O</sub>		(NC1, NO1, NC2, NO2)	0	5.5
I <sub>I/O</sub>		COM1, COM2	-50	50
I <sub>I/O</sub>		(NC1, NO1, NC2, NO2)	-50	50
V <sub>I</sub>	Digital input voltage	SEL1, SEL2, $\overline{OE}$	0	5.5
V <sub>O</sub>	Digital output voltage	$\overline{FLT}$	0	5.5
I <sub>I/O</sub>	Analog input/output port continuous current	(COM1, COM2, NC1, NO1, NC2, NO2)	-50	50
I <sub>OL</sub>	Digital output current		3	mA
T <sub>A</sub>	Operating free-air temperature	-40	125	°C
T <sub>J</sub>	Junction temperature	-40	125	°C

## 6.4 Thermal Information

THERMAL METRIC <sup>(1)</sup>		TMUX1072		UNIT
		RUT (UQFN)	DGS (VSSOP)	
		12 PINS	10 PINS	
$R_{\theta JA}$	Junction-to-ambient thermal resistance	127	175	°C/W
$R_{\theta JC(top)}$	Junction-to-case (top) thermal resistance	55.5	61.2	°C/W
$R_{\theta JB}$	Junction-to-board thermal resistance	67.7	96.9	°C/W
$\Psi_{JT}$	Junction-to-top characterization parameter	1.6	8.2	°C/W
$\Psi_{JB}$	Junction-to-board characterization parameter	67.3	95.1	°C/W

(1) For more information about traditional and new thermal metrics, see the [Semiconductor and IC Package Thermal Metrics](#) application report.

## 6.5 Electrical Characteristics

$T_A = -40^{\circ}\text{C}$  to  $+125^{\circ}\text{C}$ ,  $V_{CC} = 2.3\text{ V}$  to  $5.5\text{ V}$ ,  $\text{GND} = 0\text{V}$ , Typical values are at  $V_{CC} = 3.3\text{ V}$ ,  $T_A = 25^{\circ}\text{C}$ , (unless otherwise noted)

PARAMETER		TEST CONDITIONS	MIN	TYP	MAX	UNIT
<b>SUPPLY</b>						
$V_{CC}$	Power supply voltage		2.3		5.5	V
$I_{CC}$	Active supply current	$\overline{\text{OE}} = 0\text{ V}$ SEL1, SEL2 = 0 V, 1.8 V or $V_{CC}$ $0\text{ V} < V_{I/O} < 3.6\text{ V}$		75	110	$\mu\text{A}$
	Supply current during OVP condition	$\overline{\text{OE}} = 0\text{ V}$ SEL1, SEL2 = 0 V, 1.8 V or $V_{CC}$ $V_{I/O} > V_{\text{POS\_THLD}}$		65	98	$\mu\text{A}$
$I_{CC\_PD}^{(1)}$	Standby powered down supply current	$\overline{\text{OE}} = 1.8\text{ V}$ or $V_{CC}$ SEL1 = 0 V, 1.8 V, or $V_{CC}$ SEL2 = 0 V, 1.8 V, or $V_{CC}$		3	10	$\mu\text{A}$
UVLO	Under Voltage Lock Out	$V_{CC} = \text{rising and falling}$	1.65			V
<b>DC Characteristics</b>						
$R_{ON}$	ON-state resistance	$V_{I/O} = 0\text{ V}$ to $V_{CC}$ $I_{\text{SINK}} = 8\text{ mA}$ Refer to <a href="#">ON-State Resistance Figure</a>		6	18	$\Omega$
$\Delta R_{ON}$	ON-state resistance match between channels	$V_{I/O} = 0\text{ V}$ to $V_{CC}$ $I_{\text{SINK}} = 8\text{ mA}$ Refer to <a href="#">ON-State Resistance Figure</a>		0.07	0.5	$\Omega$
$R_{ON (FLAT)}$	ON-state resistance flatness	$V_{I/O} = 0\text{ V}$ to $V_{CC}$ $I_{\text{SINK}} = 8\text{ mA}$ Refer to <a href="#">ON-State Resistance Figure</a>		2.5	7	$\Omega$

(1) Not tested for DGS package due to absence of FLT and OE pin.

**Electrical Characteristics (continued)**

$T_A = -40^{\circ}\text{C}$  to  $+125^{\circ}\text{C}$ ,  $V_{CC} = 2.3\text{ V}$  to  $5.5\text{ V}$ ,  $GND = 0\text{V}$ , Typical values are at  $V_{CC} = 3.3\text{ V}$ ,  $T_A = 25^{\circ}\text{C}$ , (unless otherwise noted)

PARAMETER		TEST CONDITIONS	MIN	TYP	MAX	UNIT	
$I_{OFF}$	I/O pin OFF leakage current	$V_{COM1/2} = 0\text{ V}$ to $5.5\text{ V}$ <sup>(2)</sup> $V_{CC} = 2.3\text{ V}$ to $5.5\text{ V}$ $V_{NC1/2}$ or $V_{NO1/2} = 5.5\text{ V}$ or $0\text{ V}$ Refer to <a href="#">Off Leakage Figure</a>		3.6	10	$\mu\text{A}$	
		$V_{COM1/2} = 5.5\text{ V}$ <sup>(2)</sup> $V_{CC} = 5.5\text{ V}$ $V_{NC1/2}$ or $V_{NO1/2} = 5.5\text{ V}$ Refer to <a href="#">Off Leakage Figure</a>			3	$\mu\text{A}$	
		$V_{COM1/2} = 3.6\text{ V}$ <sup>(2)</sup> $V_{CC} = 3.3\text{ V}$ $V_{NC1/2}$ or $V_{NO1/2} = 3.6\text{ V}$ Refer to <a href="#">Off Leakage Figure</a>				2	$\mu\text{A}$
		$V_{COM1/2} = 5.5\text{ V}$ $V_{CC} = 0\text{ V}$ $V_{NC1/2}$ or $V_{NO1/2} = 5.5\text{ V}$ Refer to <a href="#">Off Leakage Figure</a>				15	$\mu\text{A}$
		$V_{COM1/2} = 3.6\text{ V}$ $V_{CC} = 0\text{ V}$ $V_{NC1/2}$ or $V_{NO1/2} = 3.6\text{ V}$ Refer to <a href="#">Off Leakage Figure</a>				10	$\mu\text{A}$
		$V_{COM1/2} = 1\text{ V}$ $V_{CC} = 0\text{ V}$ $V_{NC1/2}$ or $V_{NO1/2} = 1\text{ V}$ Refer to <a href="#">Off Leakage Figure</a>				2	$\mu\text{A}$
		$V_{COM1/2} = 18\text{ V}$ $V_{CC} = 0\text{ V}, 5.5\text{ V}$ $V_{NC1/2}$ or $V_{NO1/2} = 0\text{ V}$ Refer to <a href="#">Off Leakage Figure</a>			165	185	$\mu\text{A}$
$I_{ON}$	ON leakage current	$V_{COM1/2} = 5.5\text{ V}$ $V_{CC} = 5.5\text{ V}$ $V_{NC1/2}$ and $V_{NO1/2} = \text{high-Z}$ Refer to <a href="#">On Leakage Figure</a>		1.2	3.5	$\mu\text{A}$	
		$V_{COM1/2} = 0\text{ V}$ to $5.5\text{ V}$ $V_{CC} = 2.3\text{-}5.5\text{ V}$ $V_{NC1/2}$ and $V_{NO1/2} = \text{high-Z}$ Refer to <a href="#">On Leakage Figure</a>				11.5	$\mu\text{A}$
<b>Digital Characteristics</b>							
$V_{IH}$	Input logic high	SEL1, SEL2, $\overline{OE}$	1.45			V	
$V_{IL}$	Input logic low	SEL1, SEL2, $\overline{OE}$			0.5	V	
$V_{OL}$	Output logic low	$\overline{FLT}$ $I_{OL} = 3\text{ mA}$			0.3	V	
$I_{IH}$	Input high leakage current	SEL1, SEL2, $\overline{OE} = 1.8\text{ V}$ , $V_{CC}$	-1	2	5	$\mu\text{A}$	
$I_{IL}$	Input low leakage current	SEL1, SEL2, $\overline{OE} = 0\text{ V}$	-1	$\pm 0.2$	1	$\mu\text{A}$	
$R_{PD}$	Internal pull-down resistor on digital input pins	SEL1, SEL2		6	12	$\text{M}\Omega$	
		$\overline{OE}$		3	6	$\text{M}\Omega$	
$C_I$ <sup>(3)</sup>	Digital input capacitance	SEL1, SEL2 = $0\text{ V}$ , $1.8\text{ V}$ or $V_{CC}$ $f = 1\text{ MHz}$		8		pF	
<b>Protection and Detection</b>							
$V_{OVP\_TH}$	OVP positive threshold		5.55	5.8	6.0	V	
$V_{OVP\_HYST}$ <sup>(3)</sup>	OVP threshold hysteresis		40	100	300	mV	

(2) Not tested on COM1/2 pins for DGS package due to the absence of OE pin

(3) Specified by design, not tested in production.

**Electrical Characteristics (continued)**

$T_A = -40^{\circ}\text{C}$  to  $+125^{\circ}\text{C}$ ,  $V_{CC} = 2.3\text{ V}$  to  $5.5\text{ V}$ ,  $\text{GND} = 0\text{V}$ , Typical values are at  $V_{CC} = 3.3\text{ V}$ ,  $T_A = 25^{\circ}\text{C}$ , (unless otherwise noted)

PARAMETER		TEST CONDITIONS	MIN	TYP	MAX	UNIT
$T_{SD\_HYST}^{(3)}$	Thermal Shutdown Hysteresis		3		8	$^{\circ}\text{C}$
$T_{OTD\_TH}^{(3)}$	Overtemperature detection threshold		135		165	$^{\circ}\text{C}$
$V_{CLAMP\_V}^{(3)}$	Maximum voltage to appear on NC1/2 and NO1/2 pins during OVP scenario	$V_{COM1/2} = 0$ to $18\text{ V}$ $t_{RISE}$ and $t_{FALL}(10\% \text{ to } 90\%) = 100\text{ ns}$ $R_L = \text{Open}$ Switch on or off $\overline{OE} = 0\text{ V}$	0		9.6	V
		$V_{COM1/2} = 0$ to $18\text{ V}$ $t_{RISE}$ and $t_{FALL}(10\% \text{ to } 90\%) = 100\text{ ns}$ $R_L = 50\Omega$ Switch on or off $\overline{OE} = 0\text{ V}$	0		9.0	V
$t_{EN\_OVP}^{(3)}$	OVP enable time	$R_{PU} = 10\text{ k}\Omega$ to $V_{CC} (\overline{FLT})$ $C_L = 35\text{ pF}$ Refer to <a href="#">OVP Timing Diagram Figure</a>		0.6	3	$\mu\text{s}$
$t_{REC\_OVP}^{(3)}$	OVP recovery time	$R_{PU} = 10\text{ k}\Omega$ to $V_{CC} (\overline{FLT})$ $C_L = 35\text{ pF}$ Refer to <a href="#">OVP Timing Diagram Figure</a>		1.5	5	$\mu\text{s}$

## 6.6 Dynamic Characteristics

$T_A = -40^\circ\text{C}$  to  $+125^\circ\text{C}$ ,  $V_{CC} = 2.3\text{ V}$  to  $5.5\text{ V}$ ,  $\text{GND} = 0\text{ V}$ , Typical values are at  $V_{CC} = 3.3\text{ V}$ ,  $T_A = 25^\circ\text{C}$ , (unless otherwise noted)

PARAMETER <sup>(1)</sup>		TEST CONDITIONS	MIN	TYP	MAX	UNIT	
$C_{\text{OFF}}$	COM1, COM2 off capacitance	$V_{\text{COM}1/2} = 0$ or $3.3\text{ V}$ , $\text{OE} = V_{\text{CC}}$ $f = 240\text{ MHz}$	Switch OFF	1.2	4.0	6.2	pF
	NC1, NO1, NC2, NO2 off capacitance	$V_{\text{COM}1/2} = 0$ or $3.3\text{ V}$ , $\text{OE} = V_{\text{CC}}$ or $\text{OE} = 0\text{ V}$ with SEL1, SEL2 (switch not selected) $f = 240\text{ MHz}$	Switch OFF or not selected	1.2	4.0	6.2	pF
$C_{\text{ON}}$	COM1, COM2, NC1, NO1, NC2, NO2 on capacitance	$V_{\text{COM}1/2} = 0$ or $3.3\text{ V}$ , $f = 240\text{ MHz}$	Switch ON	1.4	4.0	6.2	pF
$O_{\text{ISO}}$	Differential off isolation	$R_L = 50\ \Omega$ $C_L = 5\text{ pF}$ $f = 100\text{ kHz}$ Refer to <a href="#">Off Isolation Figure</a>	Switch OFF		-80		dB
		$R_L = 50\ \Omega$ $C_L = 5\text{ pF}$ $f = 240\text{ MHz}$ Refer to <a href="#">Off Isolation Figure</a>	Switch OFF		-22		dB
$X_{\text{TALK}}$	Channel to Channel crosstalk	$R_L = 50\ \Omega$ $C_L = 5\text{ pF}$ $f = 100\text{ kHz}$ Refer to <a href="#">Crosstalk Figure</a>	Switch ON		-90		dB
BW	Bandwidth	$R_L = 50\ \Omega$ ; Refer to <a href="#">BW and Insertion Loss Figure</a>	Switch ON		1.2		GHz
$I_{\text{LOSS}}$	Insertion loss	$R_L = 50\ \Omega$ $f = \text{TBD MHz}$ ; Refer to <a href="#">BW and Insertion Loss Figure</a>	Switch ON		-0.8		dB

(1) Specified by design, not tested in production.

## 6.7 Timing Requirements

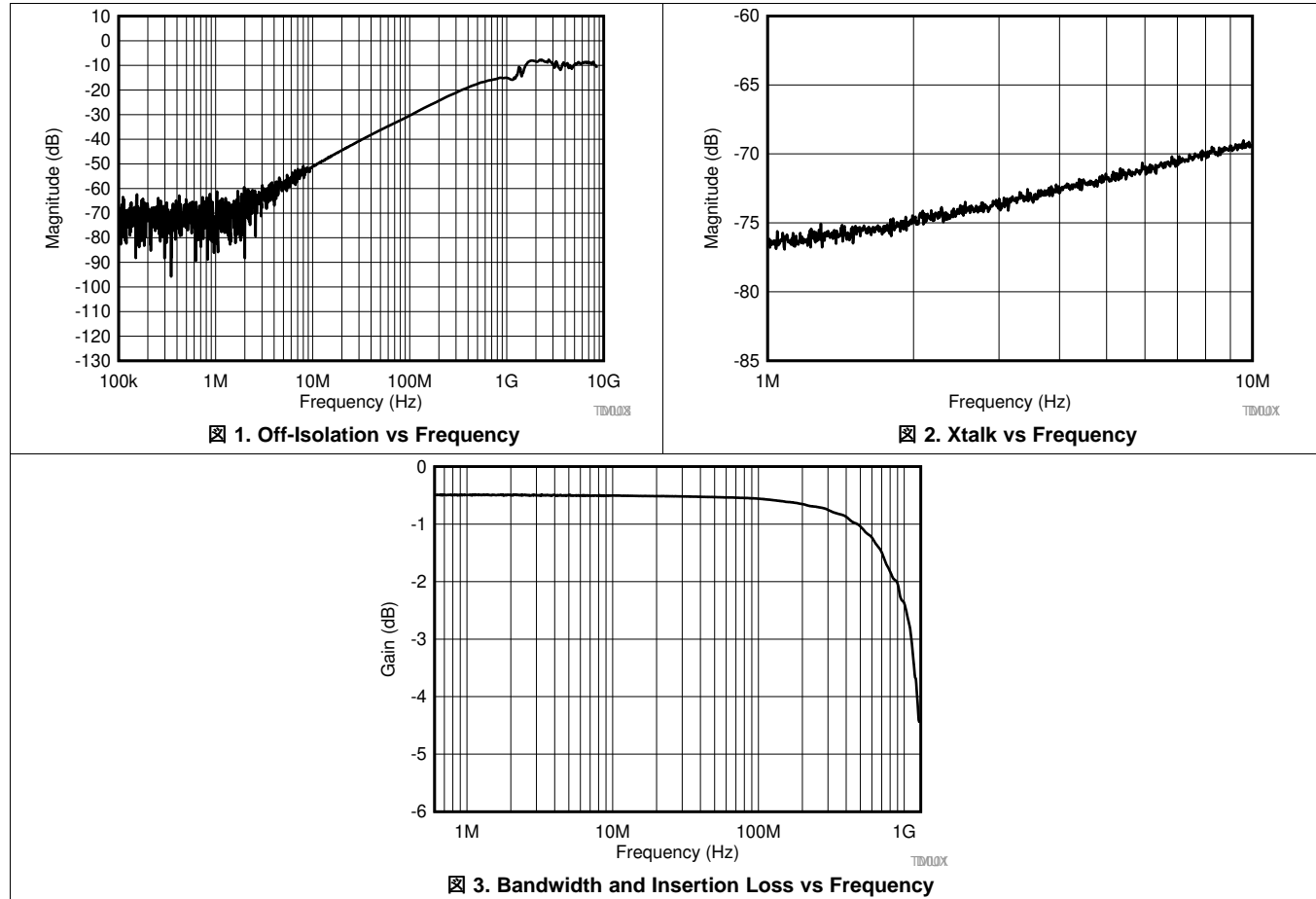
$T_A = -40^\circ\text{C}$  to  $+125^\circ\text{C}$ ,  $V_{CC} = 2.3\text{ V}$  to  $5.5\text{ V}$ ,  $\text{GND} = 0\text{ V}$ , Typical values are at  $V_{CC} = 3.3\text{ V}$ ,  $T_A = 25^\circ\text{C}$ , (unless otherwise noted)

PARAMETER <sup>(1)</sup>		TEST CONDITIONS	MIN	NOM	MAX	UNIT
$t_{\text{switch}}$	Switching time between channels (SEL1, SEL2 to output)	$V_{\text{NC}} = 0.8\text{ V}$ Refer to <a href="#">Tswitch Timing Figure</a>		0.9	1	$\mu\text{s}$
$t_{\text{on}}$	Device turn on time ( $\overline{\text{OE}}$ to output)	$V_{\text{NC}} = 0.8\text{ V}$ Refer to <a href="#">Ton and Toff Figure</a>		200	250	$\mu\text{s}$
$t_{\text{off}}$	Device turn off time ( $\overline{\text{OE}}$ to output)	$V_{\text{NC}} = 0.8\text{ V}$ Refer to <a href="#">Ton and Toff Figure</a>	$R_L = 50\ \Omega$ , $C_L = 5\text{ pF}$ , $V_{\text{CC}} = 2.3\text{ V}$ to $5.5\text{ V}$	1	10	$\mu\text{s}$
$t_{\text{off\_Vcc}}$	Device turn off time $V_{\text{CC}}$ to Switch off	$V_{\text{NC}} = 0.8\text{ V}$ Refer to <a href="#">Ton and Toff Figure</a> Ramp rate $V_{\text{CC}} = 2.3\text{ V}$ to $0\text{ V}$ $250\ \mu\text{s}$			250	$\mu\text{s}$
$t_{\text{SK(P)}}$	Skew of opposite transitions of same output (between COM1 and COM2) <sup>(1)</sup>	$V_{\text{COM}1/2} = V_{\text{CC}}$ Refer to <a href="#">Tsk Figure</a>	$R_L = 50\ \Omega$ , $C_L = 1\text{ pF}$ , $V_{\text{CC}} = 2.3\text{ V}$ to $5.5\text{ V}$	9	50	ps
$t_{\text{pd}}$	Propagation delay <sup>(1)</sup>	$V_{\text{COM}1/2} = V_{\text{CC}}$ Refer to <a href="#">Tpd Figure</a>	$R_L = 50\ \Omega$ , $C_L = 5\text{ pF}$ , $V_{\text{CC}} = 2.3\text{ V}$ to $5.5\text{ V}$	130	200	ps

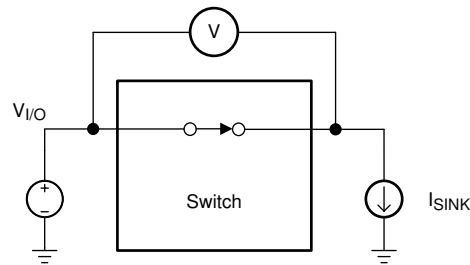
(1) Specified by design, not tested in production.



## 6.8 Typical Characteristics

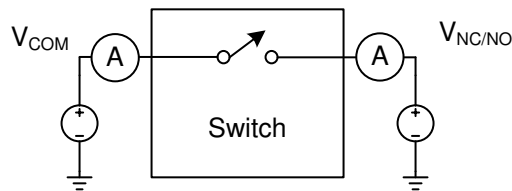


## 7 Parameter Measurement Information

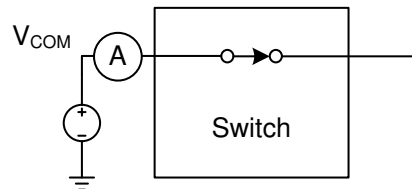


Channel ON,  $R_{ON} = V/I_{SINK}$

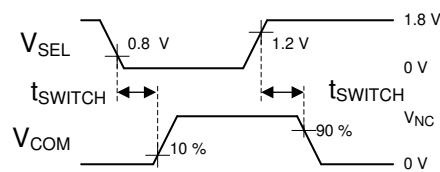
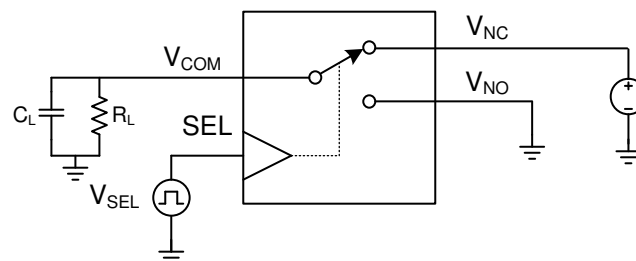
⊗ 4. ON-State Resistance ( $R_{ON}$ )



⊗ 5. Off Leakage



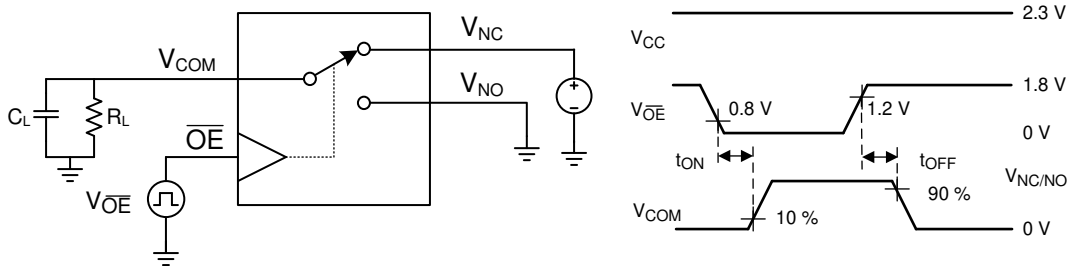
⊗ 6. On Leakage



- (1) All input pulses are supplied by generators having the following characteristics:  $PRR \leq 10$  MHz,  $Z_O = 50 \Omega$ ,  $t_r < 500$  ps,  $t_f < 500$  ps.
- (2)  $C_L$  includes probe and jig capacitance.

⊗ 7.  $t_{SWITCH}$  Timing

Parameter Measurement Information (continued)



- (1) All input pulses are supplied by generators having the following characteristics:  $PRR \leq 10 \text{ MHz}$ ,  $Z_O = 50 \Omega$ ,  $t_r < 500 \text{ ps}$ ,  $t_f < 500 \text{ ps}$ .
- (2)  $C_L$  includes probe and jig capacitance.

图 8.  $t_{ON}$ ,  $t_{OFF}$  for  $\overline{OE}$

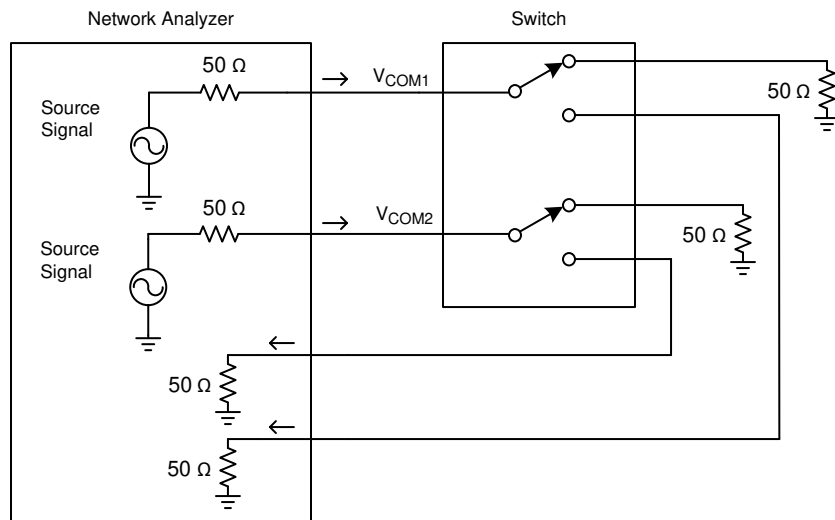


图 9. Off Isolation

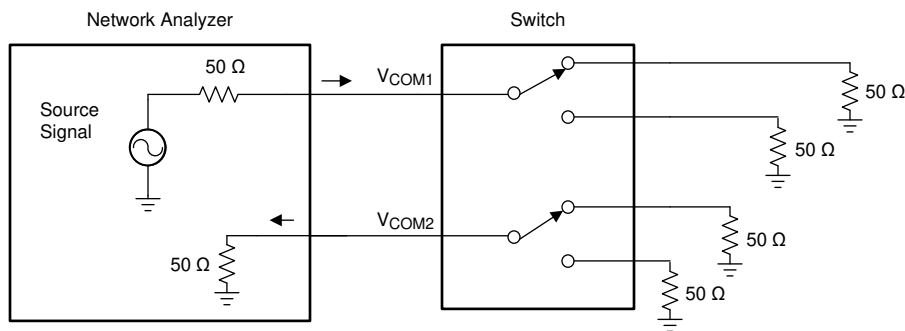
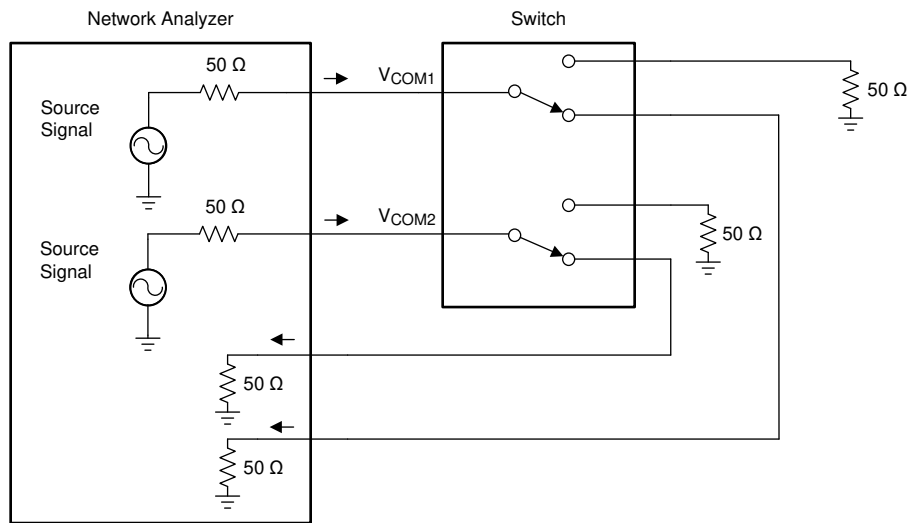
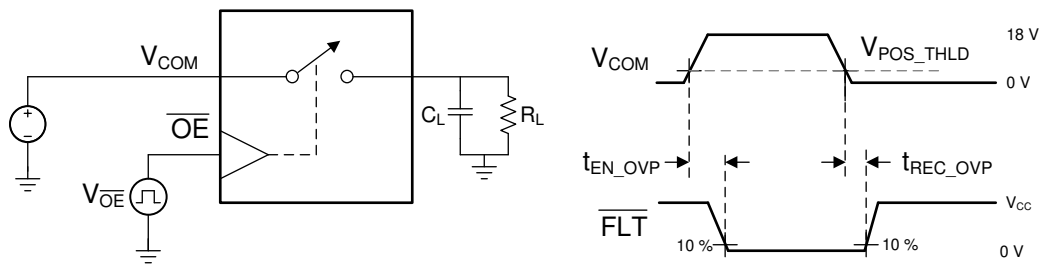


图 10. Cross Talk

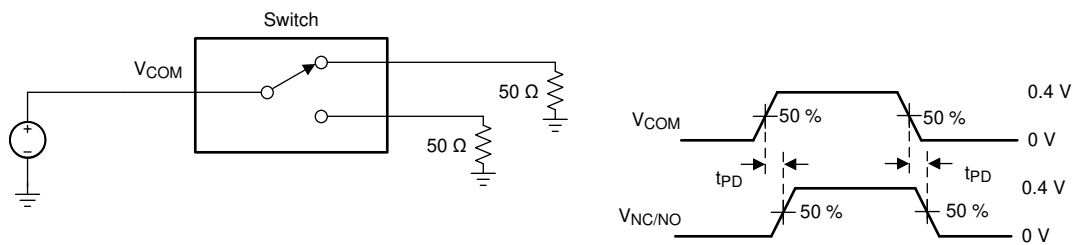
**Parameter Measurement Information (continued)**



**图 11. BW and Insertion Loss**



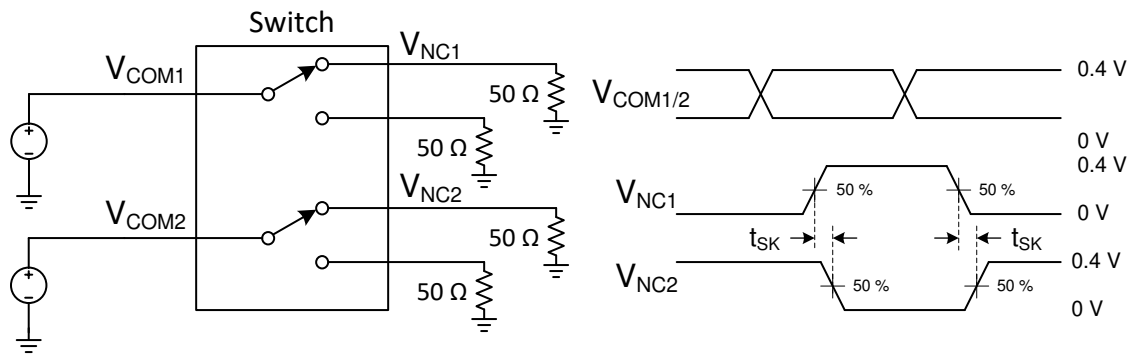
**图 12.  $t_{EN\_OVP}$  and  $t_{DIS\_OVP}$  Timing Diagram**



- (1) All input pulses are supplied by generators having the following characteristics:  $PRR \leq 10 \text{ MHz}$ ,  $Z_O = 50 \Omega$ ,  $t_r < 500 \text{ ps}$ ,  $t_f < 500 \text{ ps}$ .
- (2)  $C_L$  includes probe and jig capacitance.

**图 13.  $t_{PD}$**

**Parameter Measurement Information (continued)**



- (1) All input pulses are supplied by generators having the following characteristics: PRR  $\leq$  10 MHz,  $Z_O = 50 \Omega$ ,  $t_r < 500$  ps,  $t_f < 500$  ps.
- (2)  $C_L$  includes probe and jig capacitance.

**图 14.  $t_{SK}$**

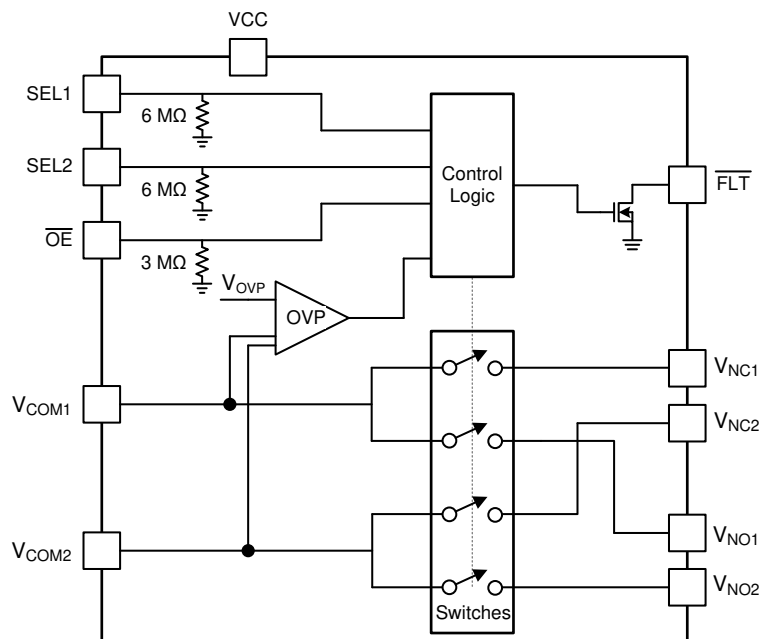
## 8 Detailed Description

### 8.1 Overview

The TMUX1072 is a high speed, 2-channel 2:1 analog switch with overvoltage protection. The device is bidirectional and can be used as a dual 2:1 or 1:2 switch, but OVP only applies to the COM pins. The device also contains a fault indicator pin which can signal to the system of either an over voltage or over temperature event.

The device maintains excellent signal integrity through the optimization of both  $R_{ON}$  and BW while protecting the system with up to 18 V OVP protection. The OVP implementation is designed to protect sensitive system components behind the switch that cannot survive fault conditions.

### 8.2 Functional Block Diagram



### 8.3 Feature Description

#### 8.3.1 Powered-off Protection

When the TMUX1072 is powered off the I/Os of the device remain in a high-Z state. The crosstalk, off-isolation, and leakage remain within the [Electrical Specifications](#)

This prevents errant voltages from reaching the rest of the system and maintains isolation when the system is powering up.

#### 8.3.2 Overvoltage Detection

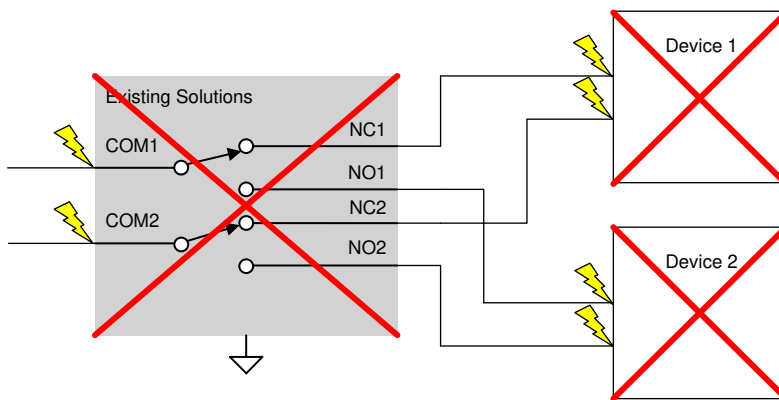
When a voltage on the COM pin exceeds the  $V_{OVP\_TH}$ , the open drain output  $\overline{FLT}$  pin pulls the pin low to indicate an overvoltage event has been detected. The open drain output will release the  $\overline{FLT}$  pin when the voltage on the COM pin returns below the  $V_{OVP\_TH}$ .

#### 8.3.3 Overtemperature Detection

When the junction temperature of the device exceeds the overtemperature detection threshold  $T_{OTD\_TH}$ , the open drain output  $\overline{FLT}$  pin pulls the pin low to indicate an overtemperature event has been detected. The open drain output releases the  $\overline{FLT}$  pin when the junction temperature returns below the  $T_{OTD\_TH}$ .

#### 8.3.4 Overvoltage Protection

The OVP of the TMUX1072 is designed to protect the system from overvoltage conditions up to 18 V on the COM1 and COM2 pins. This protection is valid even if  $V_{CC} = 0V$ . [Figure 15](#) depicts an event where up to 18 V could appear on COM1 and COM2 that could pass through the device and damage components behind the device.



**Figure 15. Existing Solution Being Damaged by a Short, 18 V**

The TMUX1072 opens the switches and protect the rest of the system by blocking the 18 V as depicted in [Figure 16](#).

### Feature Description (continued)

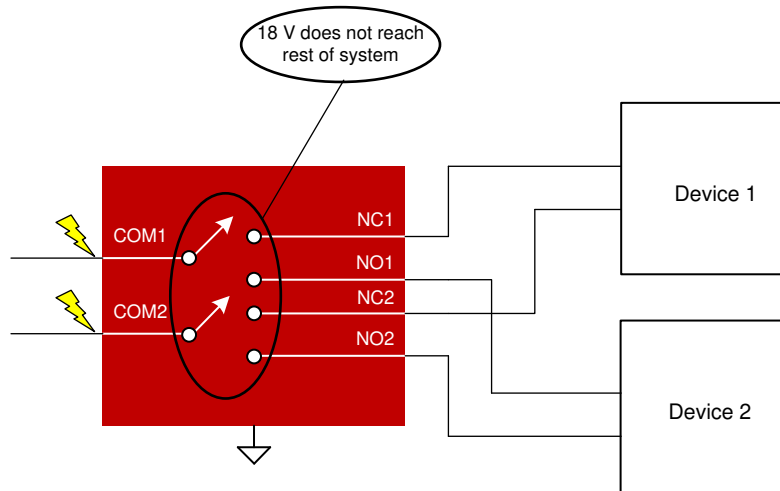


图 16. Protecting During a 18-V Short

图 17 is a waveform showing the voltage on the pins during an overvoltage scenario.

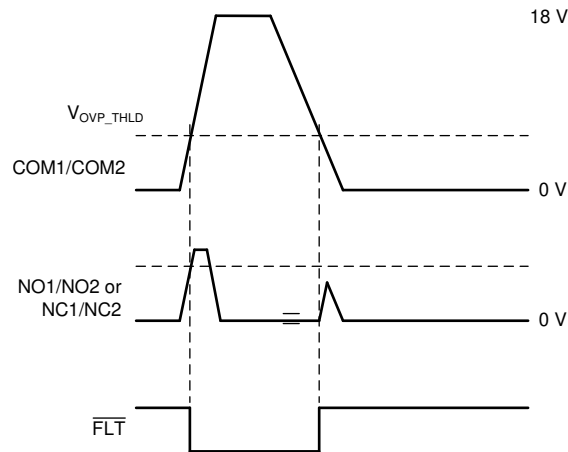


图 17. Overvoltage Protection Waveform, 18 V

## 8.4 Device Functional Modes

### 8.4.1 Pin Functions

表 1. Function Table

$\overline{OE}$	SEL1	SEL2	COM1 Connection	COM2 Connection
H	X	X	High-Z	High-Z
L	L	L	COM1 to NC1	COM2 to NC2
L	L	H	COM1 to NC1	COM2 to NO2
L	H	L	COM1 to NO1	COM2 to NC2
L	H	H	COM1 to NO1	COM2 to NO2



## 9 Application and Implementation

### 注

Information in the following applications sections is not part of the TI component specification, and TI does not warrant its accuracy or completeness. TI's customers are responsible for determining suitability of components for their purposes. Customers should validate and test their design implementation to confirm system functionality.

### 9.1 Application Information

There are many applications in which processors and microcontrollers have a limited number of I/Os. This IC can effectively expand the limited number of I/Os by switching between multiple signal paths in order to interface them to a single processor or microcontroller. The device can also be used to connect a single microcontroller to two signal paths. With independent control of the two switches using SEL1 and SEL2, TMUX1072 can be used to cross switch single ended signals.

### 9.2 Typical Application

The TMUX1072 is used to switch signals between the high speed signal paths that may be exposed to a connector or near a bus which could experience an overvoltage condition. The TMUX1072 has internal pull-down resistors on SEL1, SEL2, and OE. The pull-down on SEL1 and SEL2 pins ensure the NC1/NC2 channel is selected by default. The pull-down on OE enables the switch when power is applied.

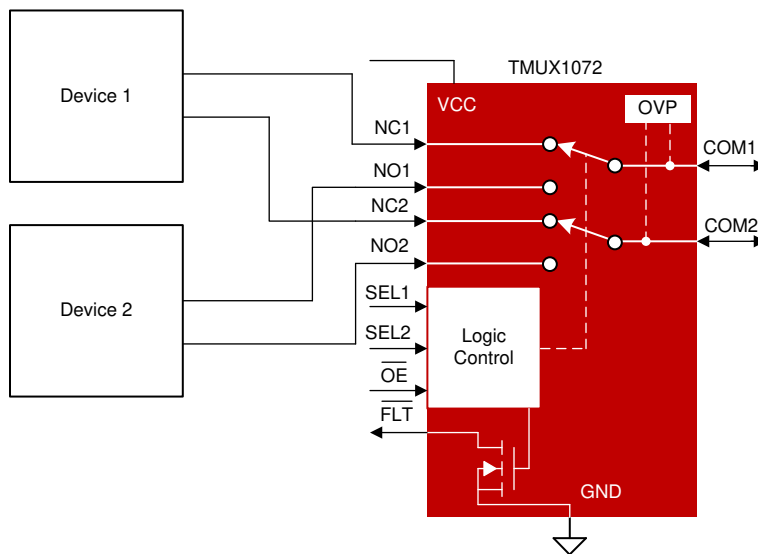


图 18. Typical TMUX1072 Application

#### 9.2.1 Design Requirements

The TMUX1072 has internal pull-down resistors on SEL1, SEL2, and OE, so no external resistors are required on the logic pins. The internal pull-down resistor on SEL1 and SEL2 pins ensures the NC1 and NC2 channels are selected by default. The internal pull-down resistor on OE enables the switch when power is applied to VCC.

The FLT indicator output pin is an open drain output that will require an external pull-up resistor for the overvoltage and overtemperature condition to be detected. If feature is unused, FLT pin may be left floating or connected to ground.

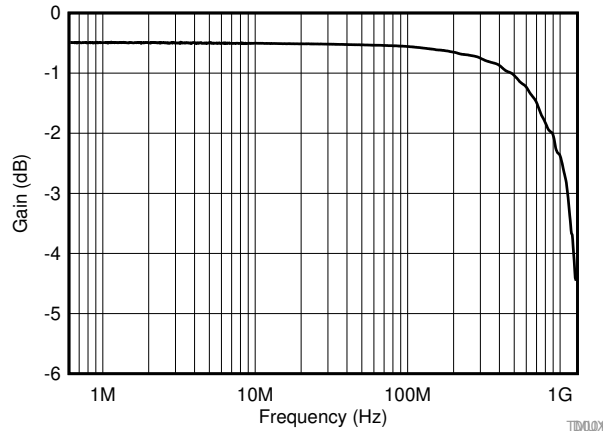
#### 9.2.2 Detailed Design Procedure

The TMUX1072 can be properly operated without any external components. However, TI recommends that unused signal pins must be connected to ground through a 50-Ω resistor to prevent signal reflections back into the device. TI does recommend a 100-nF bypass capacitor placed close to TMUX1072 VCC pin.

## Typical Application (continued)

### 9.2.3 Application Curves

Bandwidth is defined as the range of frequencies that are attenuated by less than 3 dB when the input is applied to the source pin of an on-channel, and the output is measured at the drain pin of the TMUX1072. [Figure 19](#) shows the bandwidth of TMUX1072.



**Figure 19. Bandwidth and Insertion Loss vs Frequency**

## 10 Power Supply Recommendations

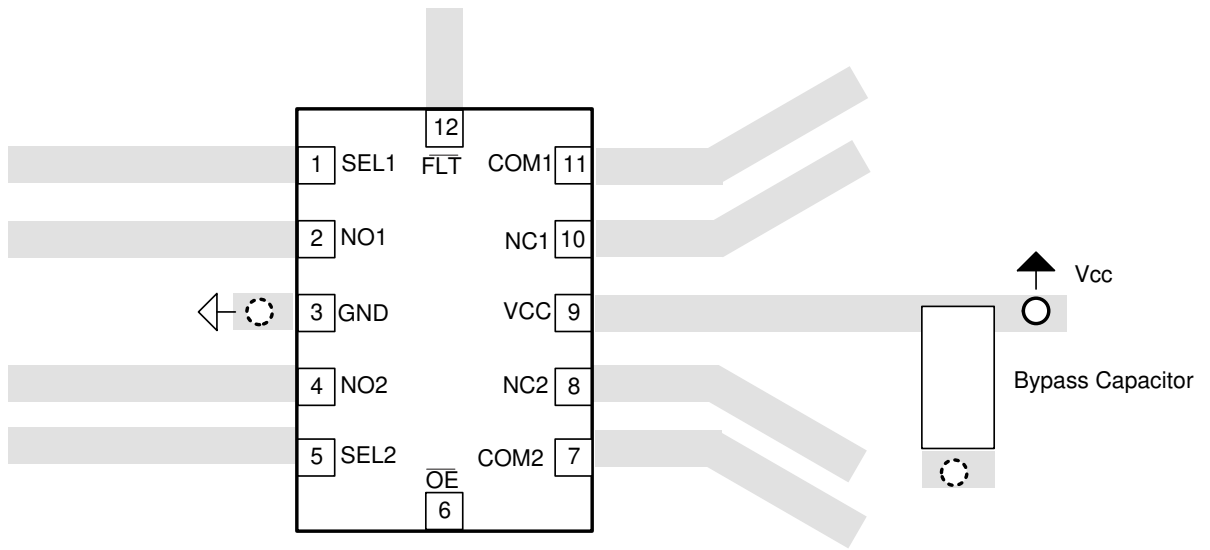
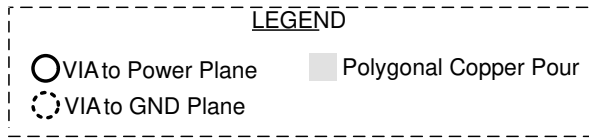
Power to the device is supplied through the VCC pin. TI recommends placing a 100-nF bypass capacitor as close to the supply pin VCC as possible to help smooth out lower frequency noise to provide better load regulation across the frequency spectrum.

## 11 Layout

### 11.1 Layout Guidelines

- Place supply bypass capacitors as close to VCC pin as possible and avoid placing the bypass caps near the signal traces.
- The high-speed traces should always be of equal length and must be no more than 4 inches; otherwise, the eye diagram performance may be degraded.
- Route the high-speed signals using a minimum of vias and corners which will reduce signal reflections and impedance changes. When a via must be used, increase the clearance size around it to minimize its capacitance. Each via introduces discontinuities in the transmission line of the signal and increases the chance of picking up interference from the other layers of the board. Be careful when designing test points on twisted pair lines; through-hole pins are not recommended.
- When it becomes necessary to turn 90°, use two 45° turns or an arc instead of making a single 90° turn. This reduces reflections on the signal traces by minimizing impedance discontinuities.
- Do not route signal traces under or near crystals, oscillators, clock signal generators, switching regulators, mounting holes, magnetic devices, or IC's that use or duplicate clock signals.
- Avoid stubs on the high-speed signals because they cause signal reflections.
- Route all high-speed signal traces over continuous planes (VCC or GND), with no interruptions.
- Avoid crossing over anti-etch, commonly found with plane splits.
- For high frequency systems, a printed circuit board with at least four layers is recommended: two signal layers separated by a ground layer and a power layer. The majority of signal traces should run on a single layer, preferably Signal 1. Immediately next to this layer should be the GND plane, which is solid with no cuts. Avoid running signal traces across a split in the ground or power plane. When running across split planes is unavoidable, sufficient decoupling must be used. Minimizing the number of signal vias reduces EMI by reducing inductance at high frequencies. For more information on layout guidelines, see High Speed Layout Guidelines (SCAA082)

## 11.2 Layout Example



Not to scale

图 20. Layout Example

## 12 デバイスおよびドキュメントのサポート

### 12.1 ドキュメントのサポート

#### 12.1.1 関連資料

関連資料については、以下を参照してください。

- 『[高速レイアウト・ガイドライン](#)』アプリケーション・レポート
- 『[高速インターフェイスのレイアウト・ガイドライン](#)』

### 12.2 ドキュメントの更新通知を受け取る方法

ドキュメントの更新についての通知を受け取るには、[ti.com](http://ti.com)のデバイス製品フォルダを開いてください。右上の「アラートを受け取る」をクリックして登録すると、変更されたすべての製品情報に関するダイジェストを毎週受け取れます。変更の詳細については、修正されたドキュメントに含まれている改訂履歴をご覧ください。

### 12.3 コミュニティ・リソース

The following links connect to TI community resources. Linked contents are provided "AS IS" by the respective contributors. They do not constitute TI specifications and do not necessarily reflect TI's views; see TI's [Terms of Use](#).

**TI E2E™ Online Community** *TI's Engineer-to-Engineer (E2E) Community*. Created to foster collaboration among engineers. At [e2e.ti.com](http://e2e.ti.com), you can ask questions, share knowledge, explore ideas and help solve problems with fellow engineers.

**Design Support** *TI's Design Support* Quickly find helpful E2E forums along with design support tools and contact information for technical support.

### 12.4 商標

E2E is a trademark of Texas Instruments.

### 12.5 静電気放電に関する注意事項



すべての集積回路は、適切なESD保護方法を用いて、取扱いと保存を行うようにして下さい。

静電気放電はわずかな性能の低下から完全なデバイスの故障に至るまで、様々な損傷を与えます。高精度の集積回路は、損傷に対して敏感であり、極めてわずかなパラメータの変化により、デバイスに規定された仕様に適合しなくなる場合があります。

### 12.6 Glossary

**SLYZ022** — *TI Glossary*.

This glossary lists and explains terms, acronyms, and definitions.

## 13 メカニカル、パッケージ、および注文情報

以降のページには、メカニカル、パッケージ、および注文に関する情報が記載されています。この情報は、そのデバイスについて利用可能な最新のデータです。このデータは予告なく変更されることがあり、ドキュメントが改訂される場合もあります。本データシートのブラウザ版を使用されている場合は、画面左側の説明をご覧ください。

**PACKAGING INFORMATION**

Orderable Device	Status (1)	Package Type	Package Drawing	Pins	Package Qty	Eco Plan (2)	Lead finish/ Ball material (6)	MSL Peak Temp (3)	Op Temp (°C)	Device Marking (4/5)	Samples
TMUX1072DGSR	ACTIVE	VSSOP	DGS	10	2500	RoHS & Green	NIPDAUAG   SN	Level-1-260C-UNLIM	-40 to 125	1A9	Samples
TMUX1072RUTR	ACTIVE	UQFN	RUT	12	3000	RoHS & Green	NIPDAUAG	Level-1-260C-UNLIM	-40 to 125	1BU	Samples

(1) The marketing status values are defined as follows:

**ACTIVE:** Product device recommended for new designs.

**LIFEBUY:** TI has announced that the device will be discontinued, and a lifetime-buy period is in effect.

**NRND:** Not recommended for new designs. Device is in production to support existing customers, but TI does not recommend using this part in a new design.

**PREVIEW:** Device has been announced but is not in production. Samples may or may not be available.

**OBSOLETE:** TI has discontinued the production of the device.

(2) **RoHS:** TI defines "RoHS" to mean semiconductor products that are compliant with the current EU RoHS requirements for all 10 RoHS substances, including the requirement that RoHS substance do not exceed 0.1% by weight in homogeneous materials. Where designed to be soldered at high temperatures, "RoHS" products are suitable for use in specified lead-free processes. TI may reference these types of products as "Pb-Free".

**RoHS Exempt:** TI defines "RoHS Exempt" to mean products that contain lead but are compliant with EU RoHS pursuant to a specific EU RoHS exemption.

**Green:** TI defines "Green" to mean the content of Chlorine (Cl) and Bromine (Br) based flame retardants meet JS709B low halogen requirements of <=1000ppm threshold. Antimony trioxide based flame retardants must also meet the <=1000ppm threshold requirement.

(3) MSL, Peak Temp. - The Moisture Sensitivity Level rating according to the JEDEC industry standard classifications, and peak solder temperature.

(4) There may be additional marking, which relates to the logo, the lot trace code information, or the environmental category on the device.

(5) Multiple Device Markings will be inside parentheses. Only one Device Marking contained in parentheses and separated by a "~" will appear on a device. If a line is indented then it is a continuation of the previous line and the two combined represent the entire Device Marking for that device.

(6) Lead finish/Ball material - Orderable Devices may have multiple material finish options. Finish options are separated by a vertical ruled line. Lead finish/Ball material values may wrap to two lines if the finish value exceeds the maximum column width.

**Important Information and Disclaimer:**The information provided on this page represents TI's knowledge and belief as of the date that it is provided. TI bases its knowledge and belief on information provided by third parties, and makes no representation or warranty as to the accuracy of such information. Efforts are underway to better integrate information from third parties. TI has taken and continues to take reasonable steps to provide representative and accurate information but may not have conducted destructive testing or chemical analysis on incoming materials and chemicals. TI and TI suppliers consider certain information to be proprietary, and thus CAS numbers and other limited information may not be available for release.

In no event shall TI's liability arising out of such information exceed the total purchase price of the TI part(s) at issue in this document sold by TI to Customer on an annual basis.



**TAPE AND REEL INFORMATION**

**QUADRANT ASSIGNMENTS FOR PIN 1 ORIENTATION IN TAPE**


\*All dimensions are nominal

Device	Package Type	Package Drawing	Pins	SPQ	Reel Diameter (mm)	Reel Width W1 (mm)	A0 (mm)	B0 (mm)	K0 (mm)	P1 (mm)	W (mm)	Pin1 Quadrant
TMUX1072DGSR	VSSOP	DGS	10	2500	330.0	12.4	5.3	3.4	1.4	8.0	12.0	Q1
TMUX1072RUTR	UQFN	RUT	12	3000	180.0	9.5	1.9	2.2	0.7	4.0	8.0	Q1

## TAPE AND REEL BOX DIMENSIONS

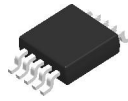


\*All dimensions are nominal

Device	Package Type	Package Drawing	Pins	SPQ	Length (mm)	Width (mm)	Height (mm)
TMUX1072DGSR	VSSOP	DGS	10	2500	366.0	364.0	50.0
TMUX1072RUTR	UQFN	RUT	12	3000	189.0	185.0	36.0



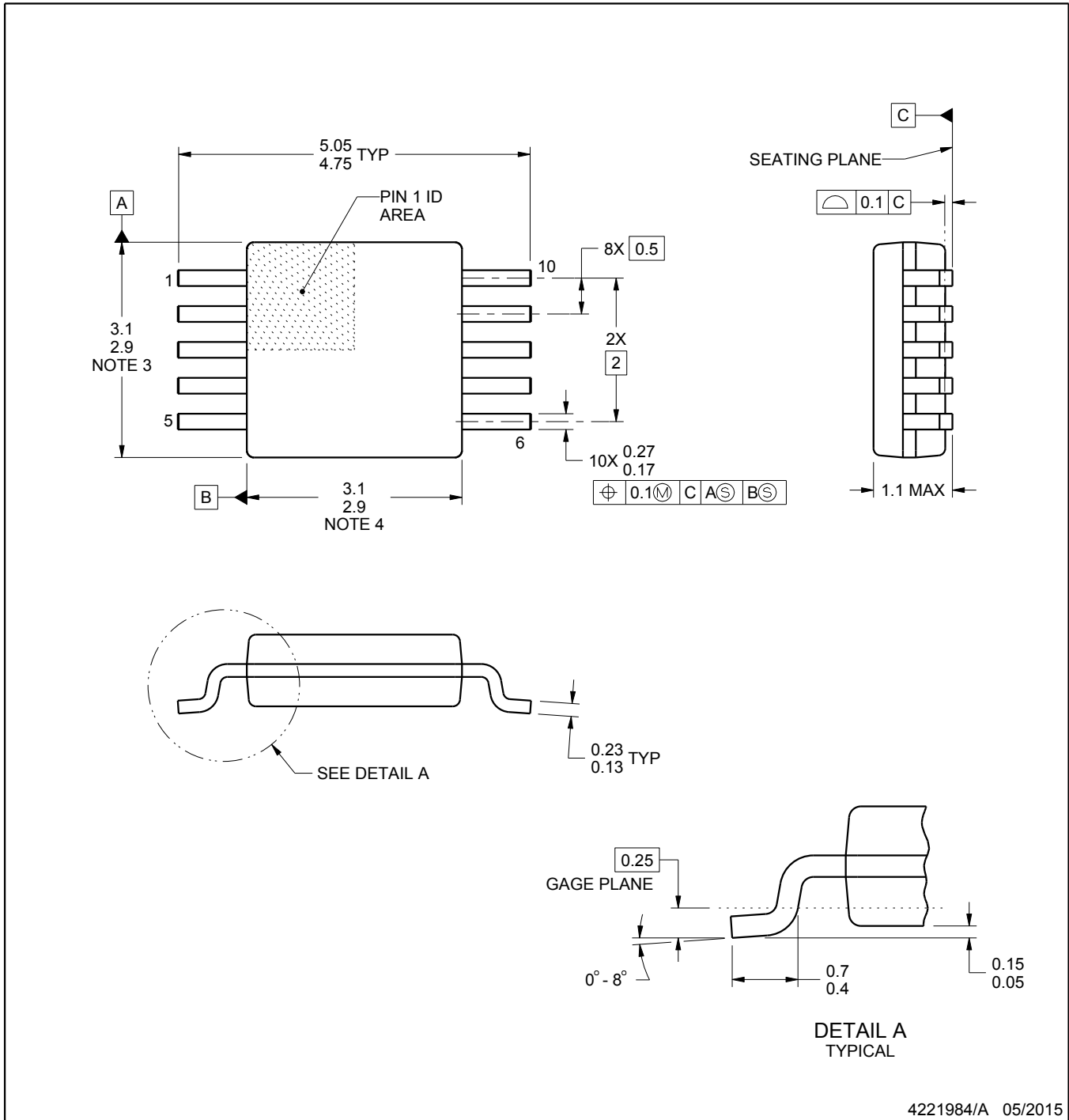
# DGS0010A



# PACKAGE OUTLINE

## VSSOP - 1.1 mm max height

SMALL OUTLINE PACKAGE



4221984/A 05/2015

### NOTES:

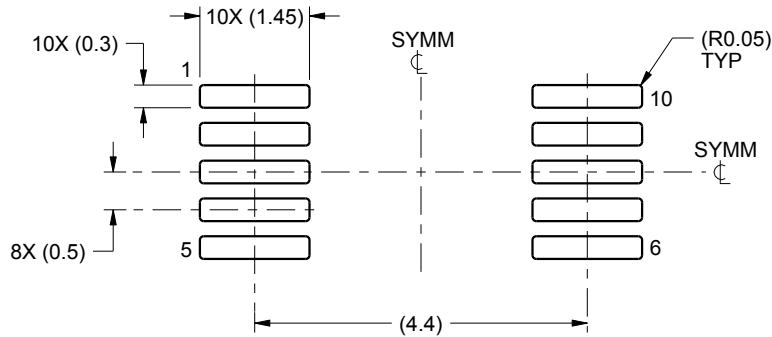
1. All linear dimensions are in millimeters. Any dimensions in parenthesis are for reference only. Dimensioning and tolerancing per ASME Y14.5M.
2. This drawing is subject to change without notice.
3. This dimension does not include mold flash, protrusions, or gate burrs. Mold flash, protrusions, or gate burrs shall not exceed 0.15 mm per side.
4. This dimension does not include interlead flash. Interlead flash shall not exceed 0.25 mm per side.
5. Reference JEDEC registration MO-187, variation BA.

# EXAMPLE BOARD LAYOUT

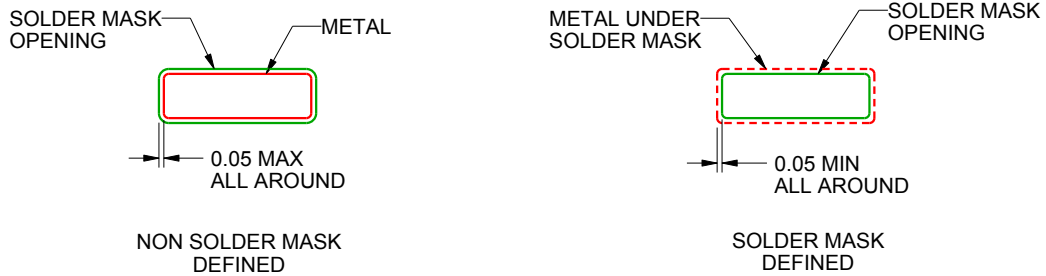
DGS0010A

VSSOP - 1.1 mm max height

SMALL OUTLINE PACKAGE



LAND PATTERN EXAMPLE  
SCALE:10X



SOLDER MASK DETAILS  
NOT TO SCALE

4221984/A 05/2015

NOTES: (continued)

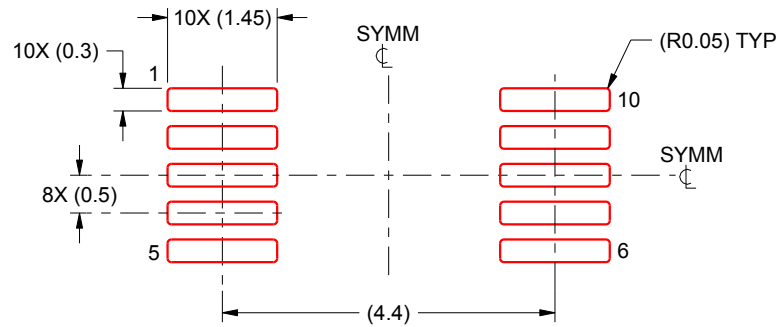
- 6. Publication IPC-7351 may have alternate designs.
- 7. Solder mask tolerances between and around signal pads can vary based on board fabrication site.

# EXAMPLE STENCIL DESIGN

DGS0010A

VSSOP - 1.1 mm max height

SMALL OUTLINE PACKAGE

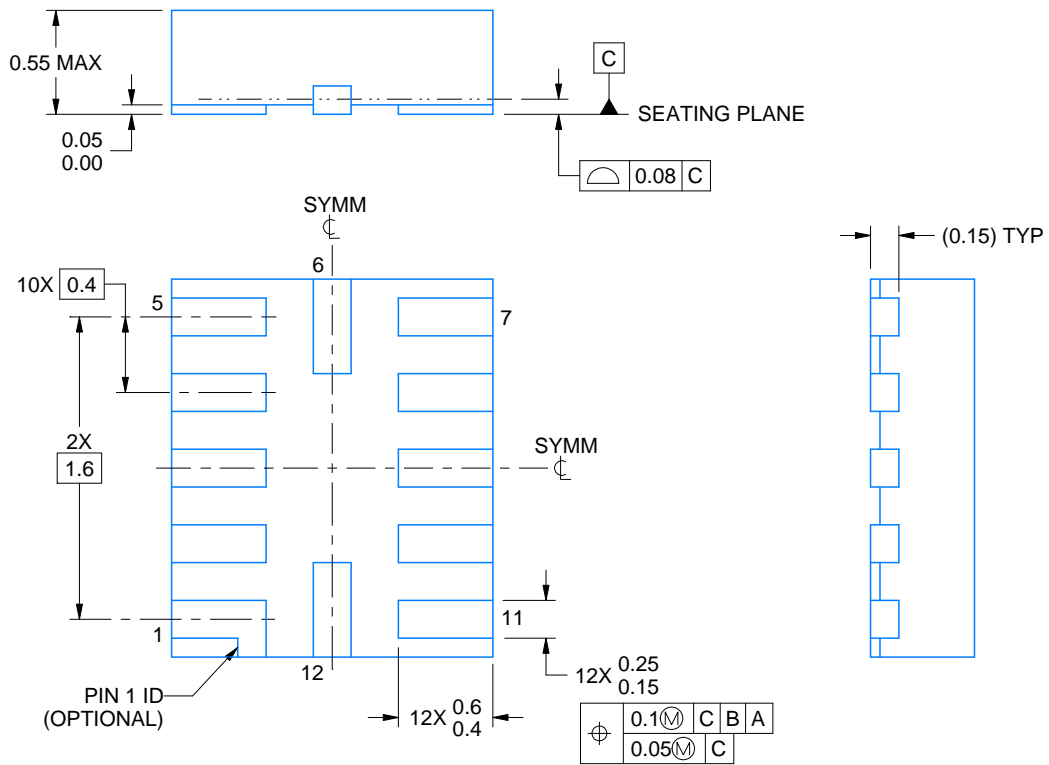
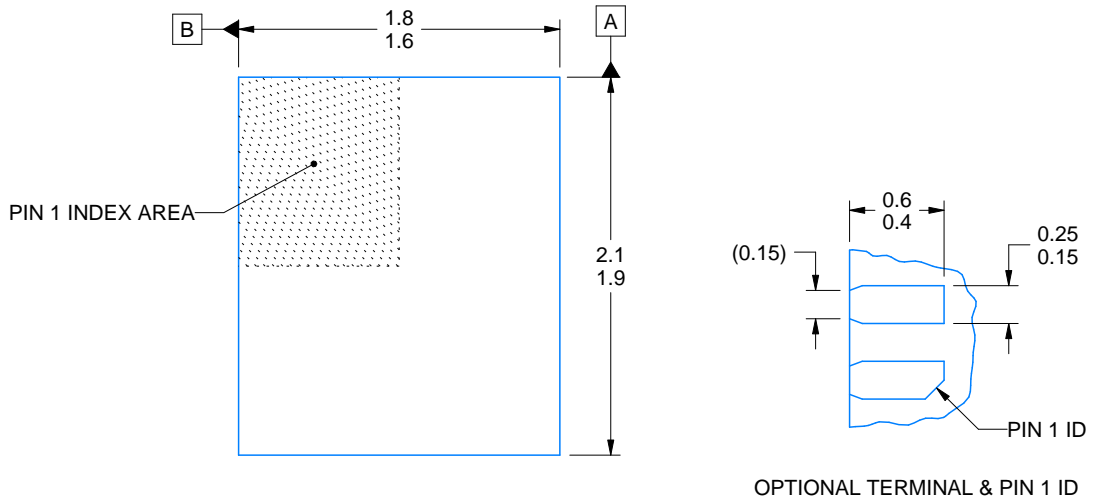


SOLDER PASTE EXAMPLE  
BASED ON 0.125 mm THICK STENCIL  
SCALE:10X

4221984/A 05/2015

NOTES: (continued)

8. Laser cutting apertures with trapezoidal walls and rounded corners may offer better paste release. IPC-7525 may have alternate design recommendations.
9. Board assembly site may have different recommendations for stencil design.



4220310/A 11/2016

NOTES:

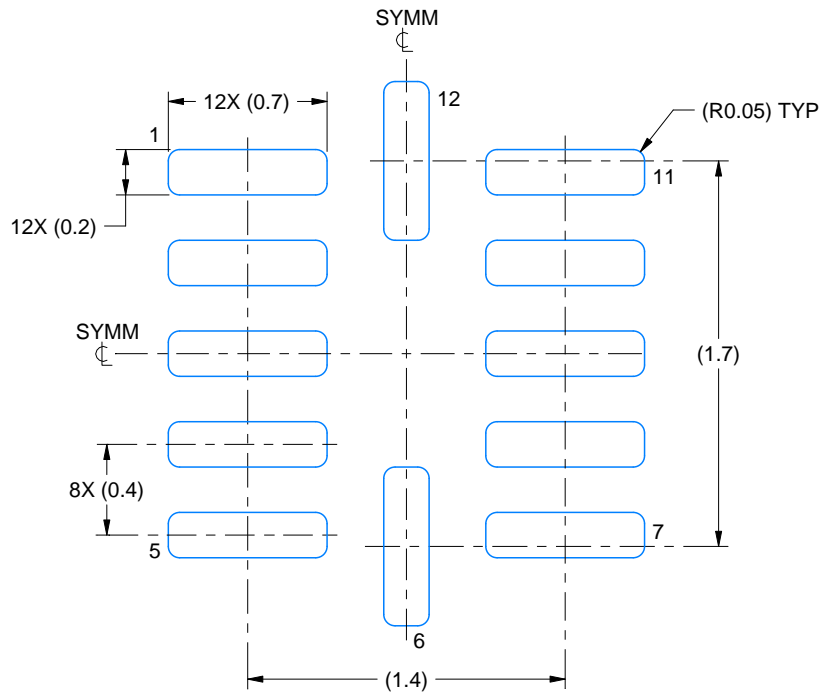
1. All linear dimensions are in millimeters. Any dimensions in parenthesis are for reference only. Dimensioning and tolerancing per ASME Y14.5M.
2. This drawing is subject to change without notice.

# EXAMPLE BOARD LAYOUT

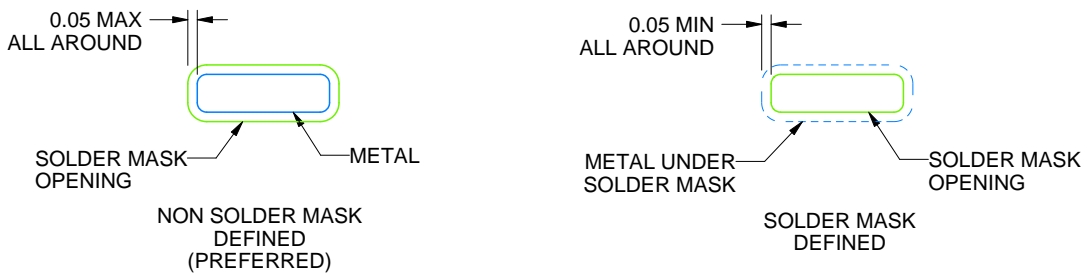
RUT0012A

UQFN - 0.55 mm max height

PLASTIC QUAD FLATPACK - NO LEAD



LAND PATTERN EXAMPLE  
SCALE:30X



SOLDER MASK DETAILS

4220310/A 11/2016

NOTES: (continued)

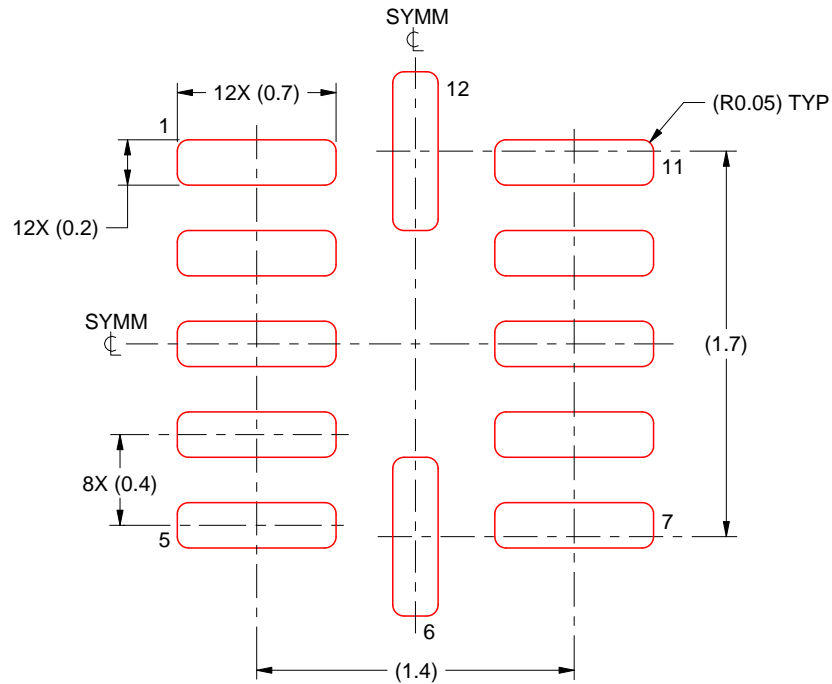
3. For more information, see Texas Instruments literature number SLUA271 ([www.ti.com/lit/sluea271](http://www.ti.com/lit/sluea271)).

# EXAMPLE STENCIL DESIGN

RUT0012A

UQFN - 0.55 mm max height

PLASTIC QUAD FLATPACK - NO LEAD



SOLDER PASTE EXAMPLE  
BASED ON 0.1 mm THICK STENCIL  
SCALE: 30X

4220310/A 11/2016

NOTES: (continued)

4. Laser cutting apertures with trapezoidal walls and rounded corners may offer better paste release. IPC-7525 may have alternate design recommendations.

## 重要なお知らせと免責事項

TI は、技術データと信頼性データ (データシートを含みます)、設計リソース (リファレンス・デザインを含みます)、アプリケーションや設計に関する各種アドバイス、Web ツール、安全性情報、その他のリソースを、欠陥が存在する可能性のある「現状のまま」提供しており、商品性および特定目的に対する適合性の黙示保証、第三者の知的財産権の非侵害保証を含むいかなる保証も、明示的または黙示的にかかわらず拒否します。

これらのリソースは、TI 製品を使用する設計の経験を積んだ開発者への提供を意図したものです。(1) お客様のアプリケーションに適した TI 製品の選定、(2) お客様のアプリケーションの設計、検証、試験、(3) お客様のアプリケーションに該当する各種規格や、その他のあらゆる安全性、セキュリティ、規制、または他の要件への確実な適合に関する責任を、お客様のみが単独で負うものとし、

上記の各種リソースは、予告なく変更される可能性があります。これらのリソースは、リソースで説明されている TI 製品を使用するアプリケーションの開発の目的でのみ、TI はその使用をお客様に許諾します。これらのリソースに関して、他の目的で複製することや掲載することは禁止されています。TI や第三者の知的財産権のライセンスが付与されている訳ではありません。お客様は、これらのリソースを自身で使用した結果発生するあらゆる申し立て、損害、費用、損失、責任について、TI およびその代理人を完全に補償するものとし、TI は一切の責任を拒否します。

TI の製品は、[TI の販売条件](#)、または [ti.com](https://www.ti.com) やかかる TI 製品の関連資料などのいずれかを通じて提供する適用可能な条項の下で提供されています。TI がこれらのリソースを提供することは、適用される TI の保証または他の保証の放棄の拡大や変更を意味するものではありません。

お客様がいかなる追加条項または代替条項を提案した場合でも、TI はそれらに異議を唱え、拒否します。

郵送先住所 : Texas Instruments, Post Office Box 655303, Dallas, Texas 75265  
Copyright © 2023, Texas Instruments Incorporated