

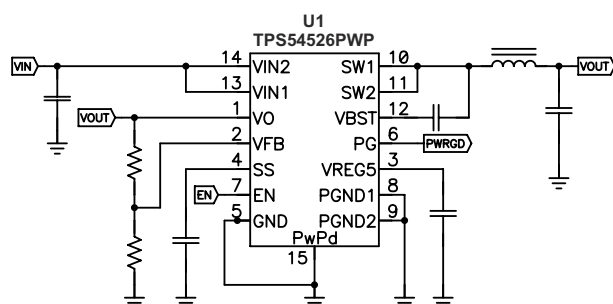
TPS54526 Eco-mode™ 搭載、4.5V~18V 入力、5.5A、同期整流式降圧コンバータ

1 特長

- 高速過渡応答を可能にする D-CAP2™ モード
- 低出力リップルで、出力セラミック・コンデンサが使用可能
- 広い V_{IN} 入力電圧範囲: 4.5V~18V
- 出力電圧範囲: 0.76V~5.5V
- 低デューティ・サイクルのアプリケーションに対して最適化された高効率の内蔵 FET – 63Ω (ハイサイド) および 33mΩ (ローサイド)
- 高効率、シャットダウン時 10μA 未満
- 高い初期バンドギャップ・リファレンス精度
- 調整可能なソフト・スタート
- プリバイアス印加のソフト・スタート
- スイッチング周波数 (f_{sw}): 650kHz
- サイクル単位の過電流制限
- パワー・グッド出力
- 自動スキップ Eco-mode™ による軽負荷時の高い効率

2 アプリケーション

- 幅広い範囲の低電圧システム用アプリケーション
 - デジタル・テレビ用電源
 - 高精細 Blu-ray Disc™ プレーヤ
 - ネットワーク・ホーム・ターミナル
 - デジタル・セットトップ・ボックス (STB)



3 概要

TPS54526 は、適応型オン時間、D-CAP2™ モードの同期整流式降圧コンバータです。このデバイスを採用することで、各種機器の電源バス・レギュレータに対して、コスト効果が高く、部品数の少ない、低スタンバイ電流のソリューションを実現できます。本デバイスの主制御ループは、外部補償部品なしで非常に高速な過渡応答が得られる D-CAP2™ モード制御を使用しています。適応型オン時間制御により、重負荷時には PWM モード動作、軽負荷時には Eco-mode™ 動作へシームレスに移行できます。Eco-mode™ により、このデバイスは軽負荷条件時に高い効率を維持できます。また、低 ESR (等価直列抵抗) の出力コンデンサ (例: POSCAP、SP-CAP) と超低 ESR セラミック・コンデンサの両方をサポートできる独自の回路も備えています。このデバイスは、4.5V~18V の V_{IN} 入力で作動します。出力電圧は 0.76V~5.5V に設定できます。このデバイスは調整可能なソフト・スタート時間とパワー・グッド機能も備えています。TPS54526 は 14 ピンの HTSSOP パッケージと 16 ピンの QFN パッケージで供給され、-40°C~85°C で動作するように設計されています。

製品情報(1)

| 部品番号 | パッケージ | 本体サイズ (公称) |
|----------|-------------|-----------------|
| TPS54526 | HTSSOP (14) | 5.00mm × 4.40mm |
| | VQFN (16) | 4.00mm × 4.00mm |

- (1) 利用可能なすべてのパッケージについては、このデータシートの末尾にある注文情報を参照してください。

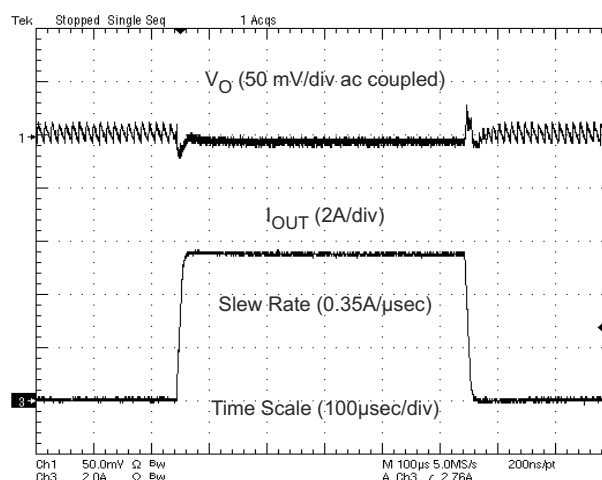


Table of Contents

| | | | |
|--|---|--|----|
| 1 特長 | 1 | 7.4 Device Functional Modes..... | 11 |
| 2 アプリケーション | 1 | 8 Application and Implementation | 12 |
| 3 概要 | 1 | 8.1 Application Information..... | 12 |
| 4 Revision History | 2 | 8.2 Typical Application..... | 12 |
| 5 Pin Configuration and Functions | 3 | 9 Power Supply Recommendations | 17 |
| 6 Specifications | 4 | 10 Layout | 18 |
| 6.1 Absolute Maximum Ratings..... | 4 | 10.1 Layout Guidelines..... | 18 |
| 6.2 Handling Ratings..... | 4 | 10.2 Layout Example..... | 19 |
| 6.3 Recommended Operating Conditions..... | 4 | 11 Device and Documentation Support | 21 |
| 6.4 Thermal Information..... | 5 | 11.1 Receiving Notification of Documentation Updates.. | 21 |
| 6.5 Electrical Characteristics..... | 5 | 11.2 サポート・リソース..... | 21 |
| 6.6 Timing Requirements..... | 6 | 11.3 Trademarks..... | 21 |
| 6.7 Typical Characteristics..... | 7 | 11.4 静電気放電に関する注意事項..... | 21 |
| 7 Detailed Description | 8 | 11.5 用語集..... | 21 |
| 7.1 Overview..... | 8 | 12 Mechanical, Packaging, and Orderable Information | 22 |
| 7.2 Functional Block Diagram..... | 8 | 12.1 Thermal Information..... | 22 |
| 7.3 Feature Description..... | 9 | | |

4 Revision History

資料番号末尾の英字は改訂を表しています。その改訂履歴は英語版に準じています。

| Changes from Revision C (June 2014) to Revision D (April 2021) | Page |
|---|-------------|
| • 文書全体にわたって表、図、相互参照の採番方法を更新..... | 1 |
| • Updated 式 3 | 13 |

| Changes from Revision B (January 2014) to Revision C (June 2014) | Page |
|---|-------------|
| • 新しい TI 標準フォーマットに合わせてデータシートを変更..... | 1 |
| • Added the Handling Ratings table..... | 4 |
| • Added the Timing Requirements table..... | 6 |
| • Added the Power Supply Recommendations section..... | 17 |

| Changes from Revision A (July 2013) to Revision B (January 2014) | Page |
|--|-------------|
| • データシートのタイトルを『4.5-V to 18-V Input, 5.5-A Synchronous Step-Down Converter with Eco-mode™』から『4.5-V to 18-V Input, 3-A Synchronous Step-Down Converter with Eco-mode™』に変更..... | 1 |

| Changes from Revision * (May 2012) to Revision A (May 2013) | Page |
|---|-------------|
| • Changed the Over/Under Voltage Protection section. From: "as the high-side MOSFET driver turns off and the low-side MOSFET turns on" To: "as both the high-side and low-side MOSFET drivers turn off" | 10 |

5 Pin Configuration and Functions

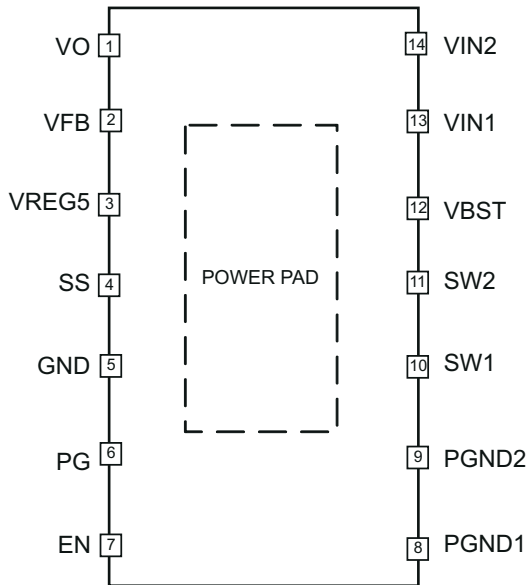


图 5-1. PWP PACKAGE (TOP VIEW)

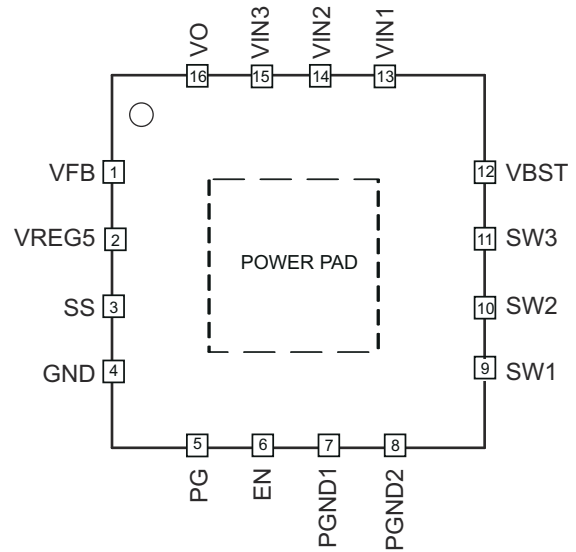


图 5-2. RSA PACKAGE (TOP VIEW)

表 5-1. Pin Functions

| NAME | PIN | | DESCRIPTION |
|---------------------------------|-----------------------|------------|--|
| | NUMBER ⁽¹⁾ | | |
| | PWP 14 | RSA 16 | |
| VO | 1 | 16 | Connect to output of converter. This pin is used for output discharge function. |
| VFB | 2 | 1 | Converter feedback input. Connect to output voltage with feedback resistor divider. |
| VREG5 | 3 | 2 | 5.5 V power supply output. A capacitor (typical 1 μ F) should be connected to GND. VREG5 is not active when EN is low. |
| SS | 4 | 3 | Soft-start control. An external capacitor should be connected to GND. |
| GND | 5 | 4 | Signal ground pin. |
| PG | 6 | 5 | Open drain power good output. |
| EN | 7 | 6 | Enable control input. EN is active high and must be pulled up to enable the device. |
| PGND1, PGND2 | 8, 9 | 7, 8 | Ground returns for low-side MOSFET. Also serve as inputs of current comparators. Connect PGND and GND strongly together near the IC. |
| SW1, SW2, SW3 ⁽¹⁾ | 10, 11 | 9, 10, 11 | Switch node connection between high-side NFET and low-side NFET. Also serve as inputs to current comparators. |
| VBST | 12 | 12 | Supply input for high-side NFET gate driver (boost terminal). Connect capacitor from this pin to respective SW1, SW2 terminals. An internal PN diode is connected between VREG5 to VBST pin. |
| VIN1, VIN2, VIN3 ⁽¹⁾ | 13, 14 | 13, 14, 15 | Power input and connected to high side NFET drain. Supply input for 5-V internal linear regulator for the control circuitry. |
| PowerPAD™ | Back side | Back side | Thermal pad of the package. Must be soldered to achieve appropriate dissipation. Should be connected to PGND. |

(1) SW3, VIN3 applies to 16 pin package only.

6 Specifications

6.1 Absolute Maximum Ratings

over operating free-air temperature range (unless otherwise noted) ⁽¹⁾

| | | MIN | MAX | UNIT |
|--|----------------------------|------|-----|------|
| Input voltage range | VIN1, VIN2, EN | -0.3 | 20 | V |
| | VBST | -0.3 | 26 | V |
| | VBST (10 ns transient) | -0.3 | 28 | V |
| | VBST (vs Sw1, SW2) | -0.3 | 6.5 | V |
| | VFB, VO, SS, PG | -0.3 | 6.5 | V |
| | SW1, SW2 | -2 | 20 | V |
| | SW1, SW2 (10 ns transient) | -3 | 22 | V |
| Output voltage range | VREG5 | -0.3 | 6.5 | V |
| | PGND1, PGND2 | -0.3 | 0.3 | V |
| Voltage from GND to PowerPAD™, V _{diff} | | -0.2 | 0.2 | V |
| Operating junction temperature, T _J | | -40 | 150 | °C |

(1) Stresses beyond those listed under *absolute maximum ratings* may cause permanent damage to the device. These are stress ratings only, and functional operation of the device at these or any other conditions beyond those indicated under *recommended operating conditions* is not implied. Exposure to absolute-maximum-rated conditions for extended periods may affect device reliability.

6.2 Handling Ratings

| | | | MIN | MAX | UNIT |
|--------------------|---------------------------|--|------|-----|------|
| T _{stg} | Storage temperature range | | -55 | 150 | °C |
| V _(ESD) | Electrostatic discharge | Human body model (HBM), per ANSI/ESDA/JEDEC JS-001, all pins ⁽¹⁾ | -2 | 2 | kV |
| | | Charged device model (CDM), per JEDEC specification JESD22-C101, all pins ⁽²⁾ | -500 | 500 | V |

(1) JEDEC document JEP155 states that 500-V HBM allows safe manufacturing with a standard ESD control process.

(2) JEDEC document JEP157 states that 250-V CDM allows safe manufacturing with a standard ESD control process.

6.3 Recommended Operating Conditions

over operating free-air temperature range (unless otherwise noted)

| | | | MIN | MAX | UNIT |
|-----------------|--------------------------------|----------------------------|------|-----|------|
| V _{IN} | Supply input voltage range | | 4.5 | 18 | V |
| V _I | Input voltage range | VBST | -0.3 | 24 | V |
| | | VBST (10 ns transient) | -0.3 | 27 | |
| | | VBST (vs Sw1, SW2) | -0.3 | 5.7 | |
| | | SS, PG | -0.3 | 5.7 | |
| | | EN | -0.3 | 18 | |
| | | VO, VFB | -0.3 | 5.5 | |
| | | SW1, SW2 | -1.8 | 18 | |
| | | SW1, SW2 (10 ns transient) | -3 | 21 | |
| | | PGND1, PGND2 | -0.3 | 0.1 | |
| V _O | Output voltage range | VREG5 | -0.3 | 5.7 | V |
| I _O | Output Current range | I _{VREG5} | 0 | 5 | mA |
| T _A | Operating free-air temperature | | -40 | 85 | °C |
| T _J | Operating junction temperature | | -40 | 150 | °C |

6.4 Thermal Information

| THERMAL METRIC | | TPS54526 | | UNITS |
|---------------------|--|---------------|---------------|-------|
| | | PWP (14) PINS | RSA (16) PINS | |
| $R_{\theta JA}$ | Junction-to-ambient thermal resistance | 43.7 | 35.2 | °C/W |
| $R_{\theta JCTop}$ | Junction-to-case (top) thermal resistance | 33.1 | 40.6 | |
| $R_{\theta JB}$ | Junction-to-board thermal resistance | 28.4 | 12.3 | |
| Ψ_{JT} | Junction-to-top characterization parameter | 1.3 | 0.8 | |
| Ψ_{JB} | Junction-to-board characterization parameter | 28.2 | 12.4 | |
| $R_{\theta JCbott}$ | Junction-to-case (bottom) thermal resistance | 4.7 | 3.6 | |

6.5 Electrical Characteristics

over operating free-air temperature range, $V_{IN} = 12V$ (unless otherwise noted)

| PARAMETER | | TEST CONDITIONS | MIN | TYP | MAX | UNIT |
|---|--|---|-----|-----|------------|------------|
| SUPPLY CURRENT | | | | | | |
| I_{VIN} | Operating - non-switching supply current | V_{IN} current, $T_A = 25^\circ C$, $EN = 5 V$, $V_{VFB} = 0.8 V$ | | 900 | 1400 | μA |
| I_{VINSDN} | Shutdown supply current | V_{IN} current, $T_A = 25^\circ C$, $EN = 0 V$ | | 3.6 | 10 | μA |
| LOGIC THRESHOLD | | | | | | |
| V_{ENH} | EN high-level input voltage | | 1.6 | | | V |
| V_{ENL} | EN low-level input voltage | | | | 0.6 | V |
| R_{EN} | EN pin resistance to GND | $V_{EN} = 12 V$ | 220 | 440 | 880 | k Ω |
| VFB VOLTAGE AND DISCHARGE RESISTANCE | | | | | | |
| V_{FBTH} | VFB threshold voltage | VFB voltage light load mode, $T_A = 25^\circ C$, $V_O = 1.05 V$, $I_O = 10mA$ | | 771 | | mV |
| | | $T_A = 25^\circ C$, $V_O = 1.05 V$, continuous mode | 757 | 765 | 773 | |
| | | $T_A = 0^\circ C$ to $85^\circ C$, $V_O = 1.05 V$, continuous mode ⁽¹⁾ | 753 | | 777 | |
| | | $T_A = -40^\circ C$ to $85^\circ C$, $V_O = 1.05 V$, continuous mode ⁽¹⁾ | 751 | | 779 | |
| I_{VFB} | VFB input current | $V_{VFB} = 0.8 V$, $T_A = 25^\circ C$ | | 0 | ± 0.15 | μA |
| R_{Dischg} | V_O discharge resistance | $V_{EN} = 0 V$, $V_O = 0.5 V$, $T_A = 25^\circ C$ | | 50 | 100 | Ω |
| VREG5 OUTPUT | | | | | | |
| V_{VREG5} | VREG5 output voltage | $T_A = 25^\circ C$, $6 V < V_{IN} < 18 V$, $0 < I_{VREG5} < 5 mA$ | 5.2 | 5.5 | 5.7 | V |
| V_{VREG5} | VREG5 Line regulation | $6.0 V < V_{IN} < 18 V$, $I_{VREG5} = 5 mA$ | | | 20 | mV |
| V_{VREG5} | VREG5 Load regulation | $0 mA < I_{VREG5} < 5 mA$ | | | 100 | mV |
| I_{VREG5} | VREG5 Output current | $V_{IN} = 6 V$, $V_{VREG5} = 4 V$, $T_A = 25^\circ C$ | | 60 | | mA |
| MOSFET | | | | | | |
| R_{dsonh} | High side switch resistance | $T_A = 25^\circ C$, $V_{BST} - V_{SW1,2} = 5.5 V$ | | 63 | | m Ω |
| R_{dsonl} | Low side switch resistance | $T_A = 25^\circ C$ | | 33 | | m Ω |

over operating free-air temperature range, $V_{IN} = 12V$ (unless otherwise noted)

| PARAMETER | | TEST CONDITIONS | MIN | TYP | MAX | UNIT |
|---|----------------------------|-------------------------------------|------|------|------|---------|
| CURRENT LIMIT | | | | | | |
| I_{ocd} | Current limit | $L_{OUT} = 1.5 \mu H^{(1)}$ | 6.1 | 6.9 | 8.4 | A |
| THERMAL SHUTDOWN | | | | | | |
| T_{SDN} | Thermal shutdown threshold | Shutdown temperature ⁽¹⁾ | 165 | | | °C |
| | | Hysteresis ⁽¹⁾ | 35 | | | |
| SOFT START | | | | | | |
| I_{SSC} | SS charge current | $V_{SS} = 1.0 V$ | 4.2 | 6.0 | 7.8 | μA |
| I_{SSD} | SS discharge current | $V_{SS} = 0.5 V$ | 0.1 | 0.2 | | mA |
| POWER GOOD | | | | | | |
| V_{THPG} | PG threshold | V_{VFB} rising (good) | 85 | 90 | 95 | % |
| | | V_{VFB} falling (fault) | 85 | | | % |
| I_{PG} | PG sink current | $V_{PG} = 0.5 V$ | 2.5 | 5 | | mA |
| OUTPUT UNDERVOLTAGE AND OVERVOLTAGE PROTECTION | | | | | | |
| V_{OVP} | Output OVP trip threshold | OVP detect | 120 | 125 | 130 | % |
| V_{UVP} | Output UVP trip threshold | UVP detect | 60 | 65 | 70 | % |
| | | Hysteresis | 10 | | | % |
| UVLO | | | | | | |
| V_{UVLO} | UVLO threshold | Wake up VREG5 voltage | 3.31 | 3.61 | 3.91 | V |
| | | Fall VREG5 voltage | 2.82 | 3.12 | 3.42 | |
| | | Hysteresis VREG5 voltage | 0.37 | 0.49 | 0.61 | |

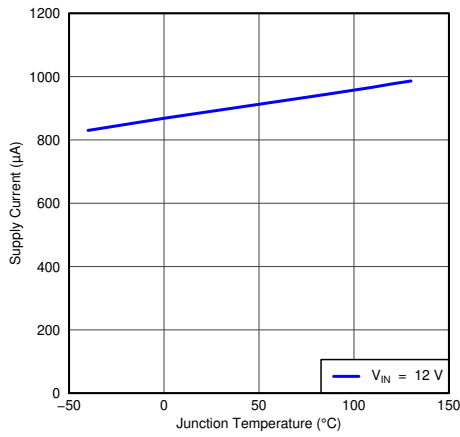
(1) Not production tested.

6.6 Timing Requirements

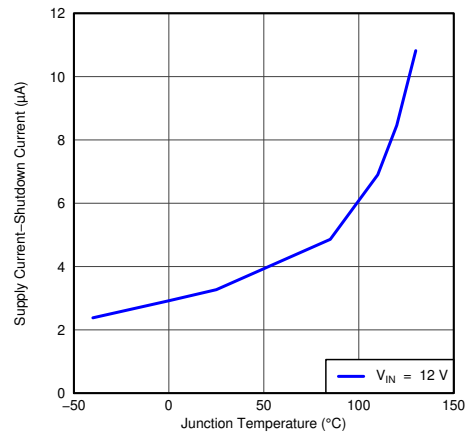
| PARAMETER | | TEST CONDITIONS | MIN | TYP | MAX | UNIT |
|---|-------------------------|------------------------------------|-----|-------|-----|---------|
| ON-TIME TIMER CONTROL | | | | | | |
| t_{ON} | On time | $V_{IN} = 12 V, V_O = 1.05 V$ | | 155 | | ns |
| $t_{OFF(MIN)}$ | Minimum off time | $T_A = 25^\circ C, V_{FB} = 0.7 V$ | | 260 | 330 | ns |
| OUTPUT UNDERVOLTAGE AND OVERVOLTAGE PROTECTION | | | | | | |
| t_{OVPDEL} | Output OVP prop delay | | | 10 | | μs |
| t_{UVPDEL} | Output UVP delay | | | 0.25 | | ms |
| t_{UVPEN} | Output UVP enable delay | Relative to soft-start time | | x 1.7 | | |

6.7 Typical Characteristics

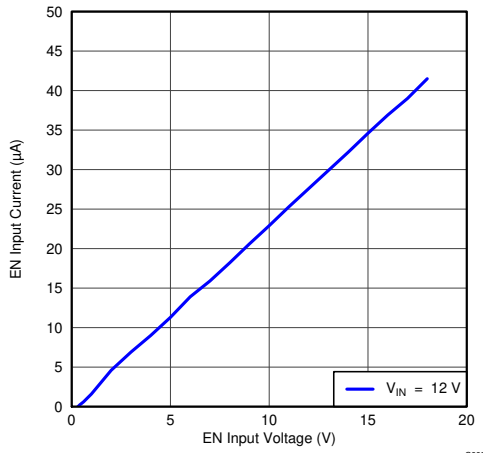
$V_{IN} = 12\text{ V}$, $T_A = 25\text{ }^\circ\text{C}$ (unless otherwise noted)



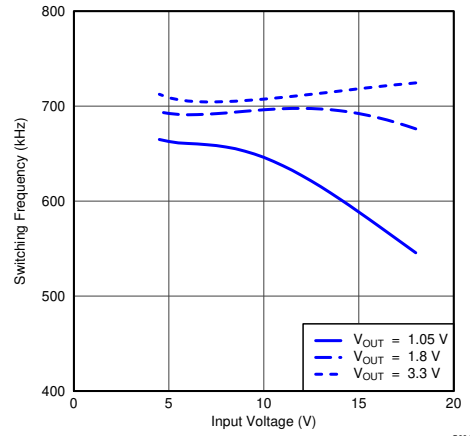
6-1. V_{IN} Current vs Junction Temperature



6-2. V_{IN} Shutdown Current vs Junction Temperature

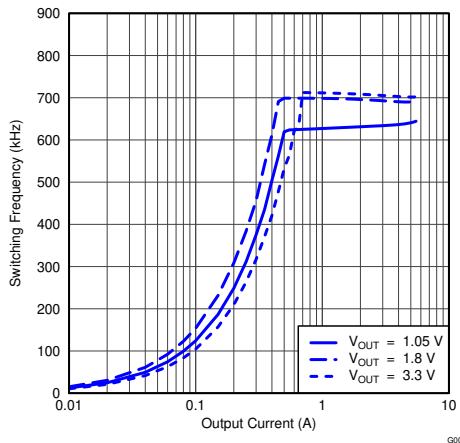


6-3. EN Current vs EN Voltage

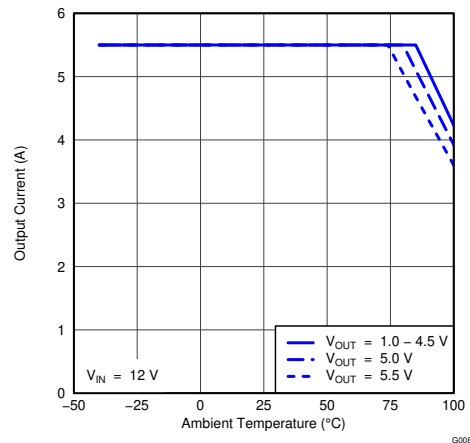


$I_O = 1\text{ A}$

6-4. Switching Frequency vs Input Voltage



6-5. Switching Frequency vs Output Current



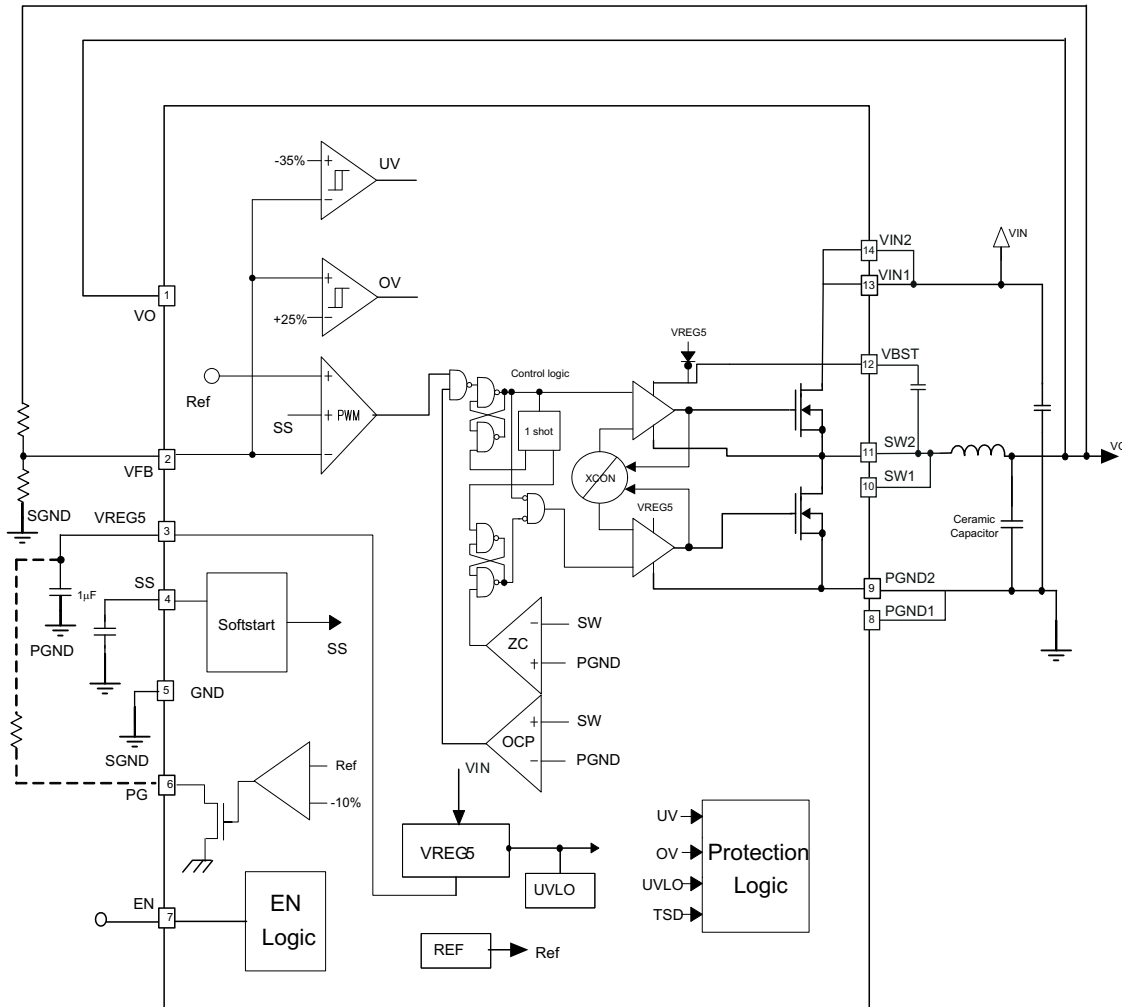
6-6. Output Current vs Ambient Temperature

7 Detailed Description

7.1 Overview

The TPS54526 is a 5.5-A synchronous step-down (buck) converter with two integrated N-channel MOSFETs and auto-skip Eco-mode™ to improve light load efficiency. It operates using D-CAP2™ mode control. The fast transient response of D-CAP2™ control reduces the output capacitance required to meet a specific level of performance. Proprietary internal circuitry allows the use of low ESR output capacitors including ceramic and special polymer types.

7.2 Functional Block Diagram



A. The block diagram shown is for the PWP 14 pin package. The QFN 16 pin package block diagram is identical except for the pin out.

7.3 Feature Description

7.3.1 PWM Operation

The main control loop of the TPS54526 is an adaptive on-time pulse width modulation (PWM) controller that supports a proprietary D-CAP2™ mode control. D-CAP2™ mode control combines constant on-time control with an internal compensation circuit for pseudo-fixed frequency and low external component count configuration with both low ESR and ceramic output capacitors. It is stable with virtually no ripple at the output.

At the beginning of each cycle, the high-side MOSFET is turned on. The MOSFET is turned off after the internal one-shot timer expires. The one-shot timer is set by the converter input voltage, VIN, and the output voltage, VO, to maintain a pseudo-fixed frequency over the input voltage range, hence it is called adaptive on-time control. The one-shot timer is reset and the high-side MOSFET is turned on again when the feedback voltage falls below the reference voltage. An internal ramp is added to reference voltage to simulate output ripple, eliminating the need for ESR induced output ripple from D-CAP2™ mode control.

7.3.2 PWM Frequency and Adaptive On-Time Control

TPS54526 uses an adaptive on-time control scheme and does not have a dedicated on board oscillator. The TPS54526 runs with a pseudo-constant frequency of 650 kHz by using the input voltage and output voltage to set the on-time one-shot timer. The on-time is inversely proportional to the input voltage and proportional to the output voltage, therefore, when the duty ratio is VOUT/VIN, the frequency is constant.

7.3.3 Soft Start and Pre-Biased Soft Start

The soft start function is adjustable. When the EN pin becomes high, 6 μA current begins charging the capacitor which is connected from the SS pin to GND. Smooth control of the output voltage is maintained during start up. The equation for the slow start time is shown in 式 1. VFB voltage is 0.765 V and SS pin source current is 6 μA.

$$t_{SS(\text{ms})} = \frac{C_{SS}(\text{nF}) \times V_{\text{REF}} \times 1.1}{I_{SS}(\mu\text{A})} = \frac{C_{SS}(\text{nF}) \times 0.765 \times 1.1}{6} \quad (1)$$

The TPS54526 contains a unique circuit to prevent current from being pulled from the output during startup if the output is pre-biased. When the soft-start commands a voltage higher than the pre-bias level (internal soft start becomes greater than feedback voltage VFB), the controller slowly activates synchronous rectification by starting the first low side FET gate driver pulses with a narrow on-time. It then increments that on-time on a cycle-by-cycle basis until it coincides with the time dictated by (1-D), where D is the duty cycle of the converter. This scheme prevents the initial sinking of the pre-bias output, and ensure that the out voltage (VO) starts and ramps up smoothly into regulation and the control loop is given time to transition from pre-biased start-up to normal mode operation.

7.3.4 Power Good

The TPS54526 has power-good open drain output. The power good function is activated after soft start has finished. The power good function becomes active after 1.7 times soft-start time. When the output voltage is within -10% of the target value, internal comparators detect power good state and the power good signal becomes high. Rpg resistor value ,which is connected between PG and VREG5, is required from 25kΩ to 150kΩ. If the feedback voltage goes under 15% of the target value, the power good signal becomes low after a 5 μs internal delay.

7.3.5 VREG5

VREG5 is an internally generated voltage source used by the TPS54526. It is derived directly from the input voltage and is nominally regulated to 5.5 V when the input voltage is above 5.6 V. The output of the VREG5 regulator is the input to the internal UVLO function. VREG5 must be above the UVLO wake up threshold voltage (3.6 V typical) for the TPS54526 to function. Connect a 1 μF capacitor between pin 3 of the TPS54526 and power ground for proper regulation of the VREG5 output. The VREG5 output voltage is available for external use. It is recommended to use no more than 5 mA for external loads. The VREG5 output is disabled when the TPS54526 EN pin is open or pulled low.

7.3.6 Output Discharge Control

TPS54526 discharges the output when EN is low, or the controller is turned off by the protection functions (OVP, UVP, UVLO and thermal shutdown). The output is discharged by an internal 50-Ω MOSFET which is connected from VO to PGND. The internal low-side MOSFET is not turned on during the output discharge operation to avoid the possibility of causing negative voltage at the output.

7.3.7 Current Protection

The output overcurrent protection (OCP) is implemented using a cycle-by-cycle valley detect control circuit. The switch current is monitored by measuring the low-side FET switch voltage between the SW pin and GND. This voltage is proportional to the switch current. To improve accuracy, the voltage sensing is temperature compensated.

During the on-time of the high-side FET switch, the switch current increases at a linear rate determined by V_{IN} , V_{OUT} , the on-time, and the output inductor value. During the on-time of the low-side FET switch, this current decreases linearly. The average value of the switch current is the load current I_{OUT} . If the measured voltage is above the voltage proportional to the current limit. Then, the device constantly monitors the low-side FET switch voltage, which is proportional to the switch current, during the low-side on-time.

The converter maintains the low-side switch on until the measured voltage is below the voltage corresponding to the current limit at which time the switching cycle is terminated and a new switching cycle begins. In subsequent switching cycles, the on-time is set to a fixed value and the current is monitored in the same manner.

There are some important considerations for this type of overcurrent protection. The load current one half of the peak-to-peak inductor current higher than the overcurrent threshold. Also when the current is being limited, the output voltage tends to fall as the demanded load current may be higher than the current available from the converter. This may cause the output under-voltage protection circuit to be activated. When the overcurrent condition is removed, the output voltage will return to the regulated value. This protection is non-latching.

7.3.8 Over/Under Voltage Protection

TPS54526 monitors a resistor divided feedback voltage to detect over and under voltage. When the feedback voltage becomes higher than 125% of the target voltage, the OVP comparator output goes high and the circuit latches as both the high-side and low-side MOSFET drivers turns off. When the feedback voltage becomes lower than 65% of the target voltage, the UVP comparator output goes high and an internal UVP delay counter begins. After 250 μs, the device latches off both internal top and bottom MOSFET. This function is enabled approximately 1.7 x softstart time.

7.3.9 UVLO Protection

Undervoltage lock out protection (UVLO) monitors the voltage of the V_{REG5} pin. When the V_{REG5} voltage is lower than UVLO threshold voltage, the TPS54526 is shut off. This is protection is non-latching.

7.3.10 Thermal Shutdown

TPS54526 monitors the temperature of itself. If the temperature exceeds the threshold value (typically 165°C), the device is shut off. This is non-latch protection.

7.4 Device Functional Modes

7.4.1 Auto-Skip Eco-Mode™ Control

The TPS54526 is designed with Auto-Skip Eco-mode™ to increase light load efficiency. As the output current decreases from heavy load condition, the inductor current is also reduced and eventually comes to point that its rippled valley touches zero level, which is the boundary between continuous conduction and discontinuous conduction modes. The rectifying MOSFET is turned off when its zero inductor current is detected. As the load current further decreases the converter run into discontinuous conduction mode. The on-time is kept almost the same as it was in the continuous conduction mode so that it takes longer time to discharge the output capacitor with smaller load current to the level of the reference voltage. The transition point to the light load operation $I_{OUT(LL)}$ current can be calculated in 式 2.

$$I_{OUT(LL)} = \frac{1}{2 \times L \times f_{SW}} \times \frac{(V_{IN} - V_{OUT}) \times V_{OUT}}{V_{IN}} \quad (2)$$

8 Application and Implementation

Note

Information in the following applications sections is not part of the TI component specification, and TI does not warrant its accuracy or completeness. TI's customers are responsible for determining suitability of components for their purposes, as well as validating and testing their design implementation to confirm system functionality.

8.1 Application Information

8.2 Typical Application

The TPS54526 is an adaptive on-time D-CAP2™ mode synchronous buck converter. Idea applications are: Digital TV Power Supply, High Definition Blu-ray Disc™ Player, Networking Home Terminal and Digital Set Top Box.

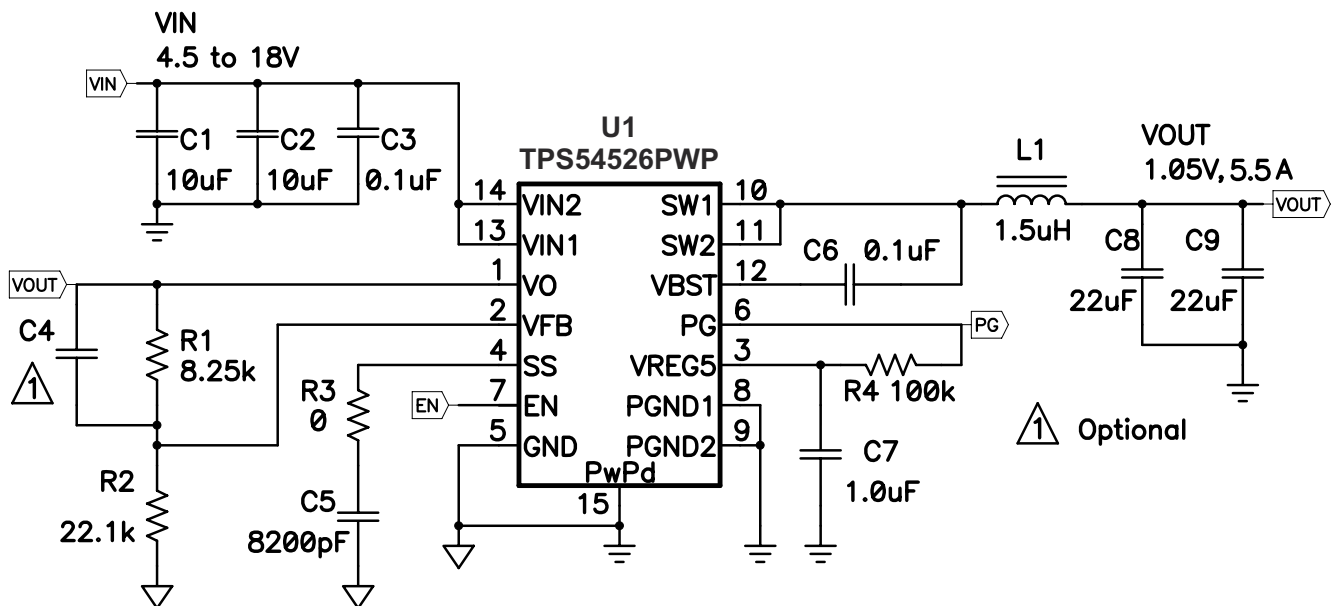


图 8-1. Schematic Diagram for This Design Example

8.2.1 Design Requirements

For this design example, use the following input parameters.

表 8-1. Design Parameters

| DESIGN PARAMETERS | VALUES |
|-----------------------|---|
| Input voltage range | 4.5V – 18 V |
| Output voltage | 1.05 V |
| Output current rating | 0 – 5.5 A |
| Output voltage ripple | 7 mV _{PP} (12 V _{IN} / 5.5 A) |

8.2.2 Detailed Design Procedure

8.2.2.1 Step By Step Design Procedure

To begin the design process, the designer must know a the following application parameters:

- Input voltage range
- Output voltage
- Output current

- Output voltage ripple
- Input voltage ripple

8.2.2.2 Output Voltage Resistors Selection

The output voltage is set with a resistor divider from the output node to the VFB pin. It is recommended to use 1% tolerance or better divider resistors. Start by using 式 3 to calculate V_{OUT}

To improve efficiency at very light loads consider using larger value resistors, too high of resistance will be more susceptible to noise and voltage errors from the VFB input current will be more noticeable

$$V_{OUT} = (0.7651 - 0.0011 \times V_{OUT_SET}) \times \left(1 + \frac{R1}{R2}\right)$$

where V_{OUT_SET} is target V_{OUT} voltage (3)

8.2.2.3 Output Filter Selection

The output filter used with the TPS54526 is an LC circuit. This LC filter has double pole at:

$$F_P = \frac{1}{2\pi \sqrt{L_{OUT} \times C_{OUT}}} \quad (4)$$

At low frequencies, the overall loop gain is set by the output set-point resistor divider network and the internal gain of the TPS54526. The low frequency phase is 180 degrees. At the output filter pole frequency, the gain rolls off at a -40 dB per decade rate and the phase drops rapidly. D-CAP2™ introduces a high frequency zero that reduces the gain roll off to -20 dB per decade and increases the phase to 90 degrees one decade above the zero frequency. The inductor and capacitor selected for the output filter must be selected so that the double pole of 式 4 is located below the high frequency zero but close enough that the phase boost provided by the high frequency zero provides adequate phase margin for a stable circuit. To meet this requirement use the values recommended in 表 8-2

表 8-2. Recommended Component Values

| Output Voltage (V) | R1 (kΩ) | R2 (kΩ) | C4 (pF) ⁽¹⁾ | L1 (μH) | C8 + C9 (μF) |
|--------------------|---------|---------|------------------------|-----------|--------------|
| 1 | 6.81 | 22.1 | | 1.0 - 1.5 | 22 - 68 |
| 1.05 | 8.25 | 22.1 | | 1.0 - 1.5 | 22 - 68 |
| 1.2 | 12.7 | 22.1 | | 1.0 - 1.5 | 22 - 68 |
| 1.5 | 21.5 | 22.1 | | 1.5 | 22 - 68 |
| 1.8 | 30.1 | 22.1 | 5 - 22 | 1.5 | 22 - 68 |
| 2.5 | 49.9 | 22.1 | 5 - 22 | 2.2 | 22 - 68 |
| 3.3 | 73.2 | 22.1 | 5 - 22 | 2.2 | 22 - 68 |
| 5 | 124 | 22.1 | 5 - 22 | 3.3 | 22 - 68 |

(1) Optional

For higher output voltages at or above 1.8 V, additional phase boost can be achieved by adding a feed forward capacitor (C4) in parallel with R1.

Since the DC gain is dependent on the output voltage, the required inductor value increases as the output voltage increases. For higher output voltages above 1.8 V, additional phase boost can be achieved by adding a feed forward capacitor (C4) in parallel with R1

The inductor peak-to-peak ripple current, peak current and RMS current are calculated using 式 5, 式 6 and 式 7. The inductor saturation current rating must be greater than the calculated peak current and the RMS or heating current rating must be greater than the calculated RMS current. Use 650 kHz for f_{SW} .

$$I_{lp-p} = \frac{V_{OUT}}{V_{IN(max)}} \cdot \frac{V_{IN(max)} - V_{OUT}}{L_O \cdot f_{SW}} \quad (5)$$

$$I_{lpeak} = I_O + \frac{I_{lp-p}}{2} \quad (6)$$

$$I_{Lo(RMS)} = \sqrt{I_O^2 + \frac{1}{12} I_{lp-p}^2} \quad (7)$$

For this design example, the calculated peak current is 6.01 A and the calculated RMS current is 5.5 A. The inductor used is a TDK SPM6530-1R5M100 with a peak current rating of 11.5 A and an RMS current rating of 11 A.

The capacitor value and ESR determines the amount of output voltage ripple. The TPS54526 is intended for use with ceramic or other low ESR capacitors. Recommended values range from 22µF to 68µF. Use [式 8](#) to determine the required RMS current rating for the output capacitor

$$I_{CO(RMS)} = \frac{V_{OUT} \cdot (V_{IN} - V_{OUT})}{\sqrt{12} \cdot V_{IN} \cdot L_O \cdot f_{SW}} \quad (8)$$

For this design two TDK C3216X5R0J226M 22µF output capacitors are used. The typical ESR is 2 mΩ each. The calculated RMS current is .284 A and each output capacitor is rated for 4 A.

8.2.2.4 Input Capacitor Selection

The TPS54526 requires an input decoupling capacitor and a bulk capacitor is needed depending on the application. A ceramic capacitor over 10 µF. is recommended for the decoupling capacitor. An additional 0.1 µF capacitor from pin 14 to ground is recommended to improve the stability of the over-current limit function. The capacitor voltage rating needs to be greater than the maximum input voltage.

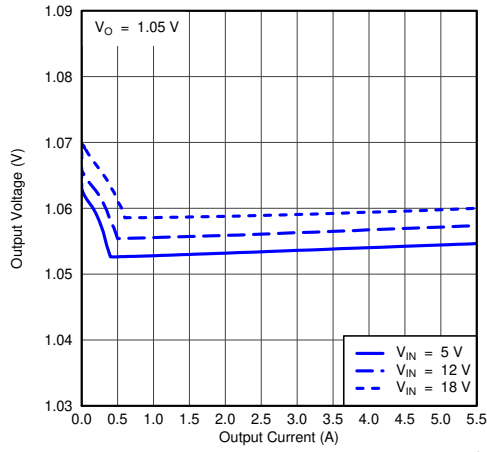
8.2.2.5 Bootstrap Capacitor Selection

A 0.1 µF ceramic capacitor must be connected between the VBST to SW pin for proper operation. It is recommended to use a ceramic capacitor.

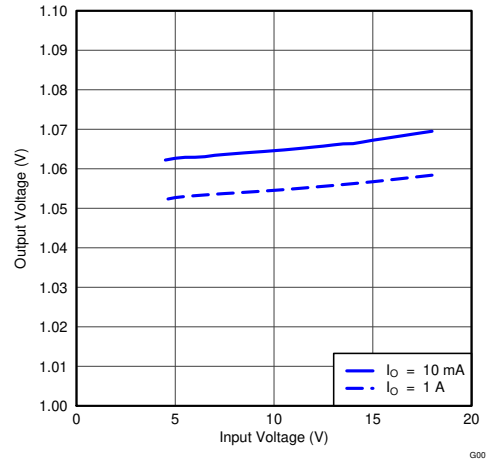
8.2.2.6 VREG5 Capacitor Selection

A 1.0 µF ceramic capacitor must be connected between the VREG5 to GND pin for proper operation. It is recommended to use a ceramic capacitor.

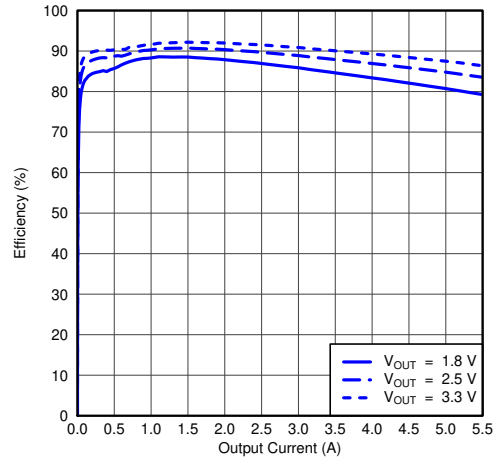
8.2.3 Application Curve



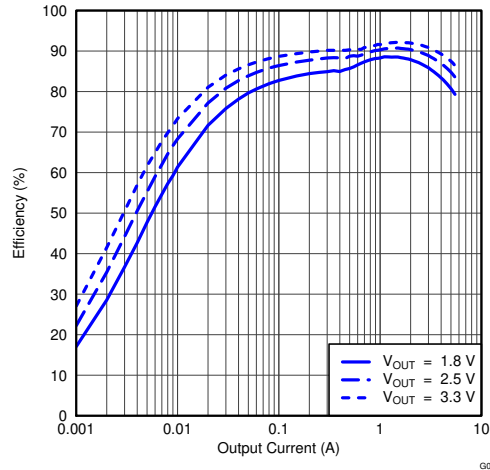
8-2. 1.05V Output Voltage vs Output Current



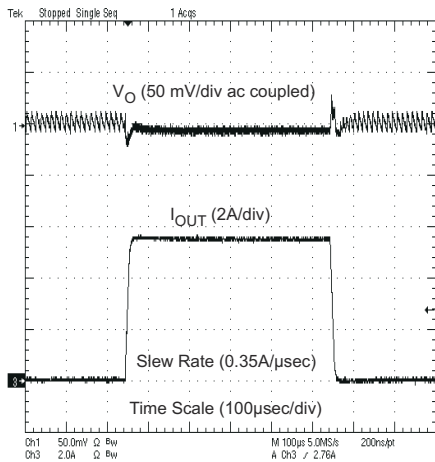
8-3. 1.05V Output Voltage vs Input Voltage



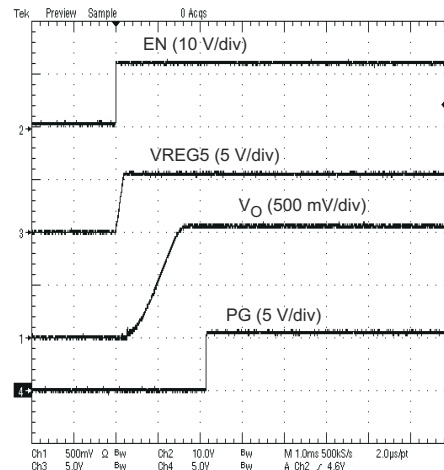
8-4. Efficiency vs Output Current



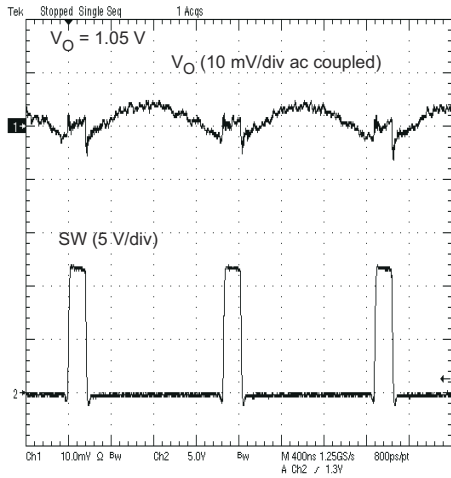
8-5. Light Load Efficiency vs Output Current



8-6. Load Transient Response

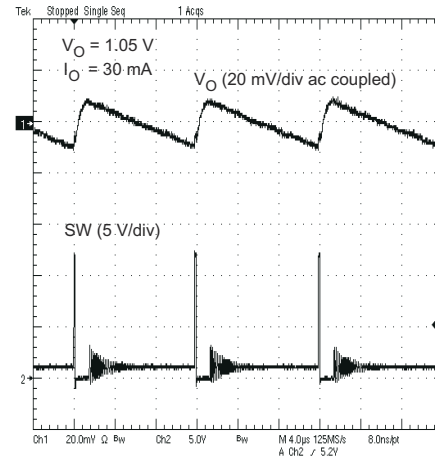


8-7. Startup Waveform



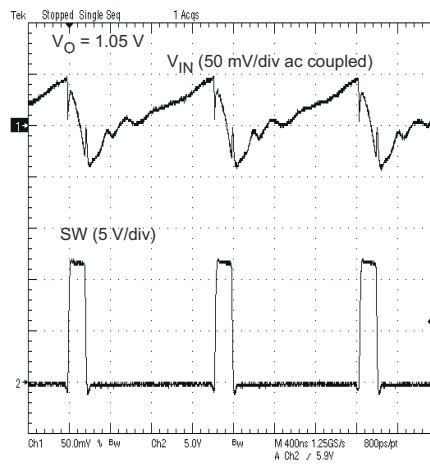
$I_O = 5.5\text{ A}$

8-8. Voltage Ripple at Output



$I_O = 30\text{ mA}$

8-9. Eco-mode Voltage Ripple at Output



$I_O = 5.5\text{ A}$

8-10. Voltage Ripple at Input

9 Power Supply Recommendations

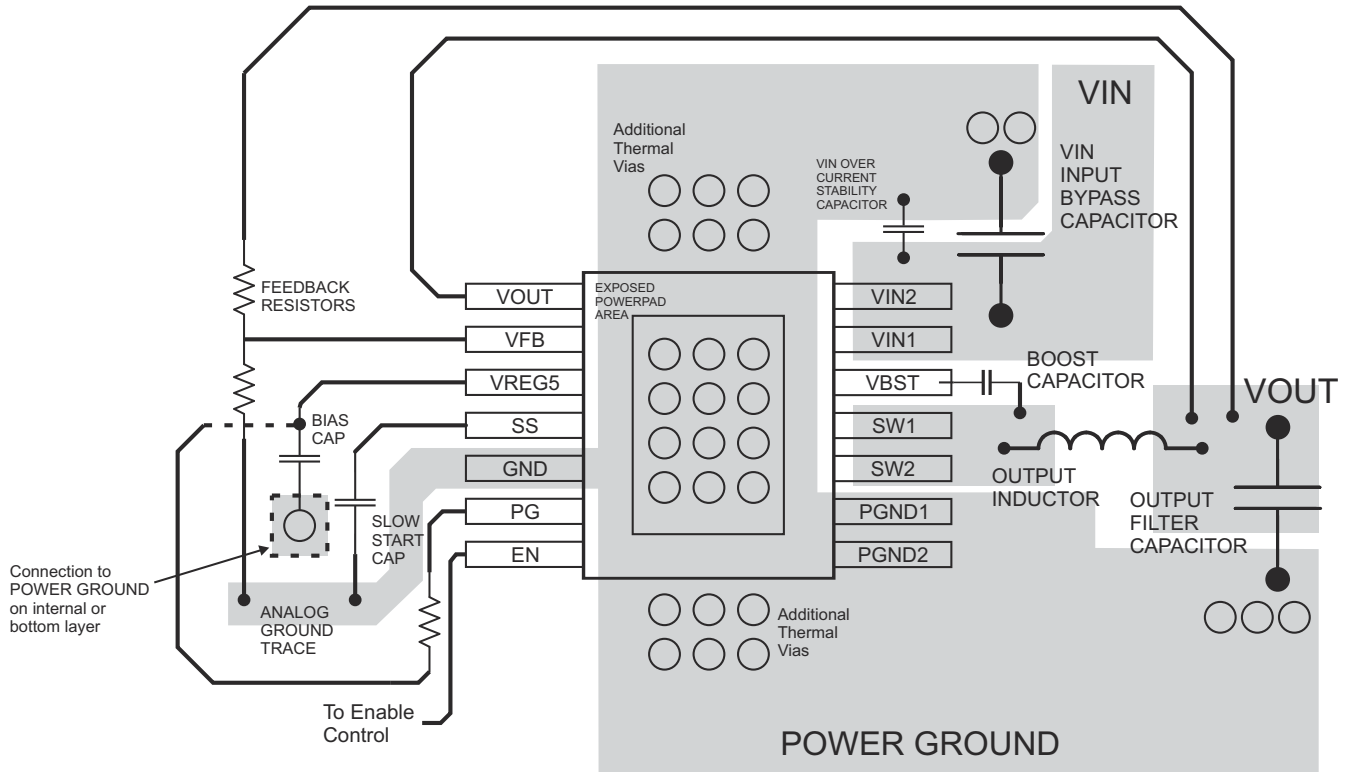
The device is designed to operate from an input voltage supply range between 4.5 V and 18 V. This input supply should be well regulated. If the input supply is located more than a few inches from the TPS54526 converter additional bulk capacitance may be required in addition to the ceramic bypass capacitors. An electrolytic capacitor with a value of 100 μ F is a typical choice.

10 Layout

10.1 Layout Guidelines

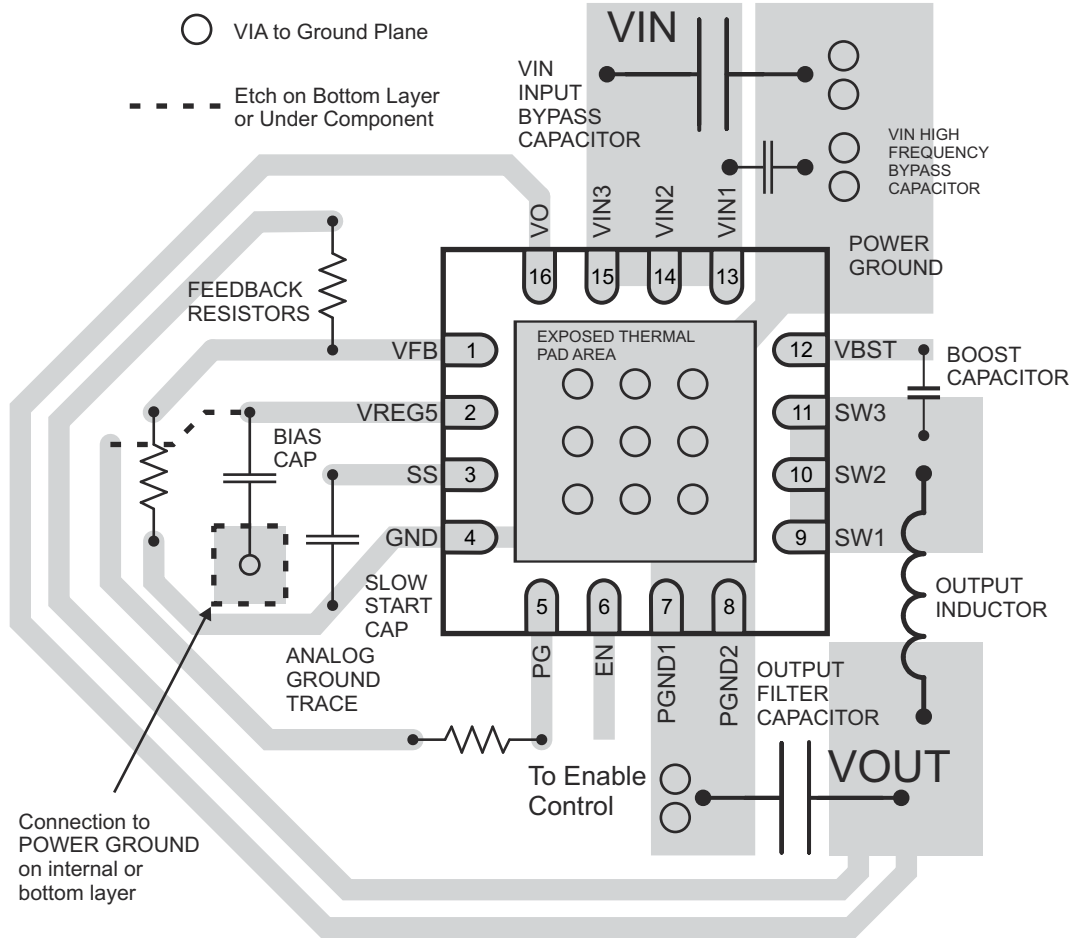
- Keep the input switching current loop as small as possible.
- Keep the SW node as physically small and short as possible to minimize parasitic capacitance and inductance and to minimize radiated emissions. Kelvin connections should be brought from the output to the feedback pin of the device.
- Keep analog and non-switching components away from switching components.
- Make a single point connection from the signal ground to power ground.
- Do not allow switching current to flow under the device.
- VREG5 capacitor should be placed near the device, and connected PGND.
- Output capacitor should be connected to a broad pattern of the PGND.
- Voltage feedback loop should be as short as possible, and preferably with ground shield.
- Lower resistor of the voltage divider which is connected to the VFB pin should be tied to AGND.
- Providing sufficient via is preferable for VIN, SW and PGND connection.
- PCB pattern for VIN and SW should be as broad as possible.
- VIN Capacitor should be placed as near as possible to the device.
- The top side power ground (PGND) copper fill area near the IC should be as large as possible. This will aid in thermal dissipation as well lower conduction losses in the ground return
- Exposed pad of device must be connected to PGND with solder. The PGND area under the IC should be as large as possible and completely cover the exposed thermal pad. The bottom side of the board should contain a large copper area under the device that is directly connected to the exposed area with small diameter vias. Small diameter vias will prevent solder from being drawn away from the exposed thermal pad. Any additional internal layers should also contain copper ground areas under the device and be connected to the thermal vias.

10.2 Layout Example



- VIA to Ground Plane
- - - - Etch on Bottom Layer or Under Component

10-1. PCB Layout for PWP Package



10-2. PCB Layout for RSA Package

11 Device and Documentation Support

11.1 Receiving Notification of Documentation Updates

To receive notification of documentation updates, navigate to the device product folder on ti.com. Click on *Subscribe to updates* to register and receive a weekly digest of any product information that has changed. For change details, review the revision history included in any revised document.

11.2 サポート・リソース

[TI E2E™ サポート・フォーラム](#)は、エンジニアが検証済みの回答と設計に関するヒントをエキスパートから迅速かつ直接得ることができる場所です。既存の回答を検索したり、独自の質問をしたりすることで、設計に必要な支援を迅速に得ることができます。

リンクされているコンテンツは、該当する貢献者により、現状のまま提供されるものです。これらは TI の仕様を構成するものではなく、必ずしも TI の見解を反映したものではありません。TI の [使用条件](#)を参照してください。

11.3 Trademarks

D-CAP2™, Eco-mode™, TI E2E™ are trademarks of Texas Instruments.

Blu-ray Disc™ is a trademark of Blu-ray Disc Association.

is a trademark of TI.

すべての商標は、それぞれの所有者に帰属します。

11.4 静電気放電に関する注意事項



この IC は、ESD によって破損する可能性があります。テキサス・インスツルメンツは、IC を取り扱う際には常に適切な注意を払うことを推奨します。正しい ESD 対策をとらないと、デバイスを破損するおそれがあります。

ESD による破損は、わずかな性能低下からデバイスの完全な故障まで多岐にわたります。精密な IC の場合、パラメータがわずかに変化するだけで公表されている仕様から外れる可能性があるため、破損が発生しやすくなっています。

11.5 用語集

[TI 用語集](#) この用語集には、用語や略語の一覧および定義が記載されています。

12 Mechanical, Packaging, and Orderable Information

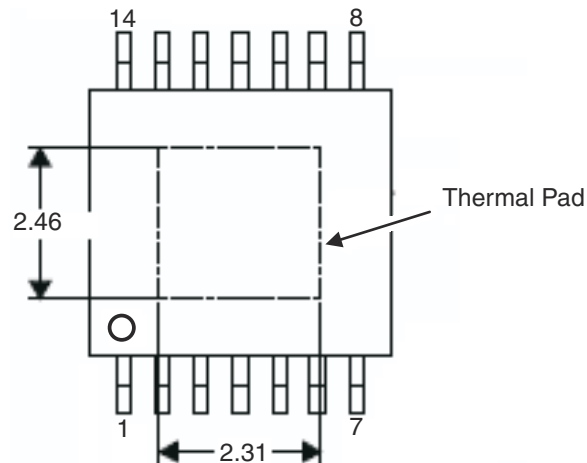
The following pages include mechanical, packaging, and orderable information. This information is the most current data available for the designated devices. This data is subject to change without notice and revision of this document. For browser-based versions of this data sheet, refer to the left-hand navigation.

12.1 Thermal Information

This PowerPad™ package incorporates an exposed thermal pad that is designed to be directly to an external heatsink. The thermal pad must be soldered directly to the printed board (PCB). After soldering, the PCB can be used as a heatsink. In addition, through the use of thermal vias, the thermal pad can be attached directly to the appropriate copper plane shown in the electrical schematic for the device, or alternatively, can be attached to a special heatsink structure designed into the PCB. This design optimizes the heat transfer from the integrated circuit (IC).

For additional information on the PowerPAD™ package and how to use the advantage of its heat dissipating abilities, refer to Technical Brief, PowerPAD™ Thermally Enhanced Package, Texas Instruments Literature No. [SLMA002](#) and Application Brief, PowerPAD™ Made Easy, Texas Instruments Literature No. [SLMA004](#).

The exposed thermal pad dimensions for this package are shown in the following illustration.



✎ 12-1. Thermal Pad Dimensions

PACKAGING INFORMATION

| Orderable Device | Status (1) | Package Type | Package Drawing | Pins | Package Qty | Eco Plan (2) | Lead finish/ Ball material (6) | MSL Peak Temp (3) | Op Temp (°C) | Device Marking (4/5) | Samples |
|------------------|---------------|--------------|-----------------|------|-------------|-----------------|--------------------------------------|----------------------|--------------|-------------------------|-------------------------|
| TPS54526PWP | ACTIVE | HTSSOP | PWP | 14 | 90 | RoHS & Green | NIPDAU | Level-2-260C-1 YEAR | -40 to 85 | PS54526 | Samples |
| TPS54526PWPR | ACTIVE | HTSSOP | PWP | 14 | 2000 | RoHS & Green | NIPDAU | Level-2-260C-1 YEAR | -40 to 85 | PS54526 | Samples |
| TPS54526RSAR | ACTIVE | QFN | RSA | 16 | 3000 | RoHS & Green | NIPDAU | Level-1-260C-UNLIM | -40 to 85 | TPS 54526 | Samples |
| TPS54526RSAT | ACTIVE | QFN | RSA | 16 | 250 | RoHS & Green | NIPDAU | Level-1-260C-UNLIM | -40 to 85 | TPS 54526 | Samples |

(1) The marketing status values are defined as follows:

ACTIVE: Product device recommended for new designs.

LIFEBUY: TI has announced that the device will be discontinued, and a lifetime-buy period is in effect.

NRND: Not recommended for new designs. Device is in production to support existing customers, but TI does not recommend using this part in a new design.

PREVIEW: Device has been announced but is not in production. Samples may or may not be available.

OBSELETE: TI has discontinued the production of the device.

(2) **RoHS:** TI defines "RoHS" to mean semiconductor products that are compliant with the current EU RoHS requirements for all 10 RoHS substances, including the requirement that RoHS substance do not exceed 0.1% by weight in homogeneous materials. Where designed to be soldered at high temperatures, "RoHS" products are suitable for use in specified lead-free processes. TI may reference these types of products as "Pb-Free".

RoHS Exempt: TI defines "RoHS Exempt" to mean products that contain lead but are compliant with EU RoHS pursuant to a specific EU RoHS exemption.

Green: TI defines "Green" to mean the content of Chlorine (Cl) and Bromine (Br) based flame retardants meet JS709B low halogen requirements of <=1000ppm threshold. Antimony trioxide based flame retardants must also meet the <=1000ppm threshold requirement.

(3) MSL, Peak Temp. - The Moisture Sensitivity Level rating according to the JEDEC industry standard classifications, and peak solder temperature.

(4) There may be additional marking, which relates to the logo, the lot trace code information, or the environmental category on the device.

(5) Multiple Device Markings will be inside parentheses. Only one Device Marking contained in parentheses and separated by a "~" will appear on a device. If a line is indented then it is a continuation of the previous line and the two combined represent the entire Device Marking for that device.

(6) Lead finish/Ball material - Orderable Devices may have multiple material finish options. Finish options are separated by a vertical ruled line. Lead finish/Ball material values may wrap to two lines if the finish value exceeds the maximum column width.

Important Information and Disclaimer:The information provided on this page represents TI's knowledge and belief as of the date that it is provided. TI bases its knowledge and belief on information provided by third parties, and makes no representation or warranty as to the accuracy of such information. Efforts are underway to better integrate information from third parties. TI has taken and

continues to take reasonable steps to provide representative and accurate information but may not have conducted destructive testing or chemical analysis on incoming materials and chemicals. TI and TI suppliers consider certain information to be proprietary, and thus CAS numbers and other limited information may not be available for release.

In no event shall TI's liability arising out of such information exceed the total purchase price of the TI part(s) at issue in this document sold by TI to Customer on an annual basis.

TAPE AND REEL INFORMATION

QUADRANT ASSIGNMENTS FOR PIN 1 ORIENTATION IN TAPE


*All dimensions are nominal

| Device | Package Type | Package Drawing | Pins | SPQ | Reel Diameter (mm) | Reel Width W1 (mm) | A0 (mm) | B0 (mm) | K0 (mm) | P1 (mm) | W (mm) | Pin1 Quadrant |
|--------------|--------------|-----------------|------|------|--------------------|--------------------|---------|---------|---------|---------|--------|---------------|
| TPS54526PWPR | HTSSOP | PWP | 14 | 2000 | 330.0 | 12.4 | 6.9 | 5.6 | 1.6 | 8.0 | 12.0 | Q1 |
| TPS54526RSAR | QFN | RSA | 16 | 3000 | 330.0 | 12.4 | 4.25 | 4.25 | 1.15 | 8.0 | 12.0 | Q2 |
| TPS54526RSAT | QFN | RSA | 16 | 250 | 180.0 | 12.4 | 4.25 | 4.25 | 1.15 | 8.0 | 12.0 | Q2 |

TAPE AND REEL BOX DIMENSIONS


*All dimensions are nominal

| Device | Package Type | Package Drawing | Pins | SPQ | Length (mm) | Width (mm) | Height (mm) |
|--------------|--------------|-----------------|------|------|-------------|------------|-------------|
| TPS54526PWPR | HTSSOP | PWP | 14 | 2000 | 356.0 | 356.0 | 35.0 |
| TPS54526RSAR | QFN | RSA | 16 | 3000 | 346.0 | 346.0 | 33.0 |
| TPS54526RSAT | QFN | RSA | 16 | 250 | 182.0 | 182.0 | 20.0 |

TUBE


*All dimensions are nominal

| Device | Package Name | Package Type | Pins | SPQ | L (mm) | W (mm) | T (μm) | B (mm) |
|-------------|--------------|--------------|------|-----|--------|--------|--------|--------|
| TPS54526PWP | PWP | HTSSOP | 14 | 90 | 530 | 10.2 | 3600 | 3.5 |
| TPS54526PWP | PWP | HTSSOP | 14 | 90 | 530 | 10.2 | 3600 | 3.5 |

GENERIC PACKAGE VIEW

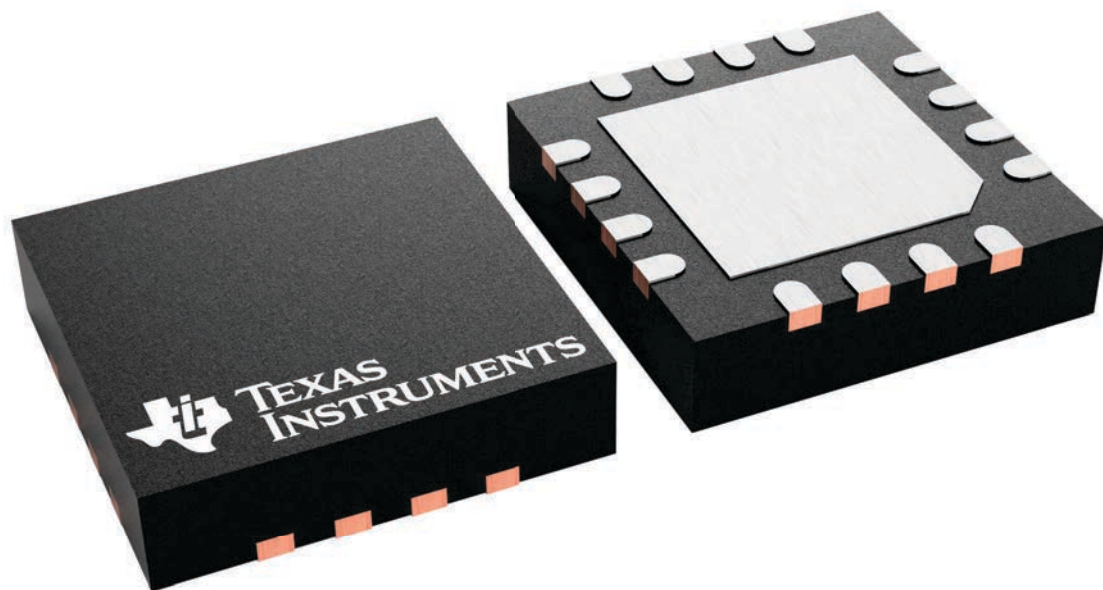
RSA 16

VQFN - 1 mm max height

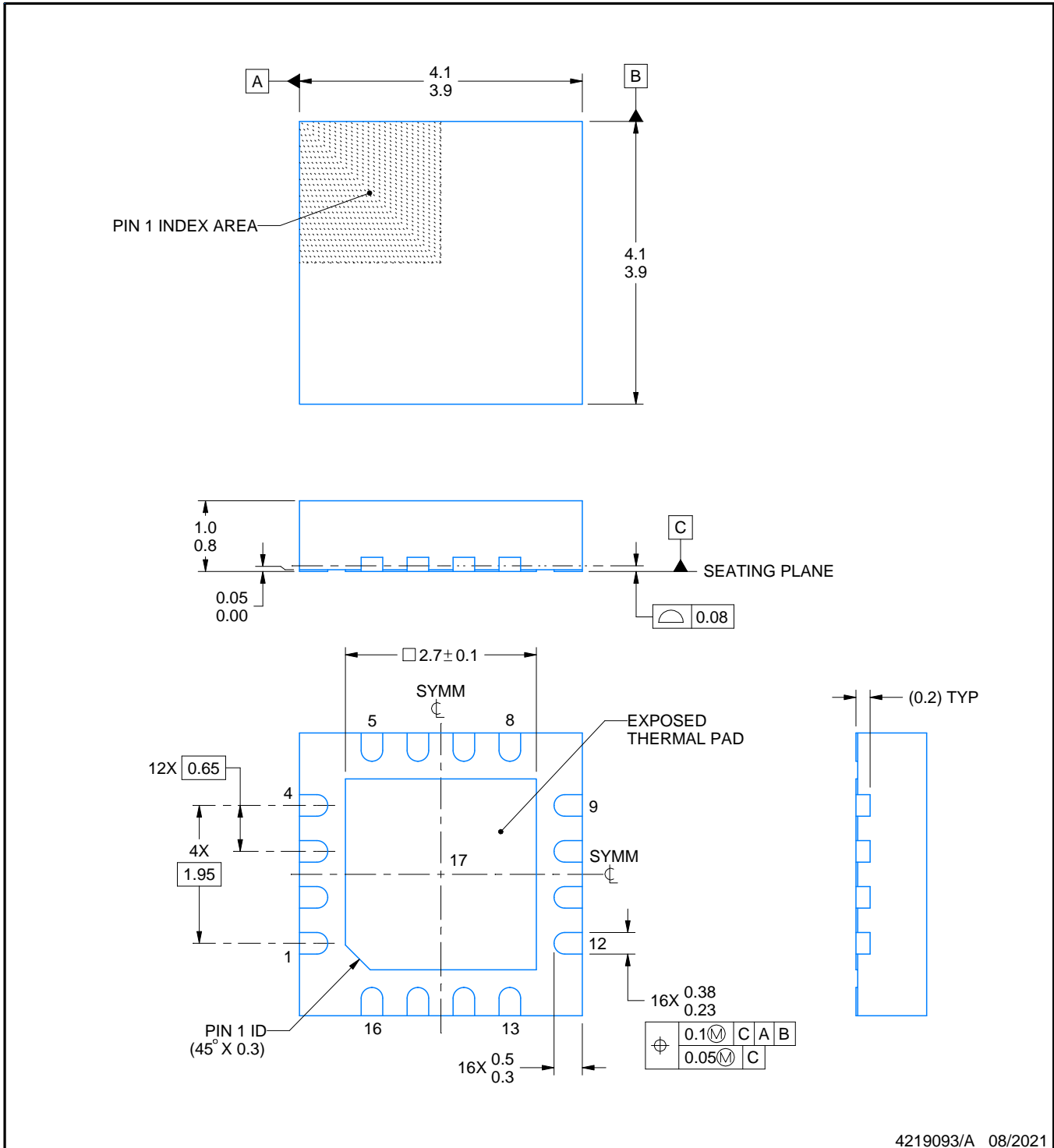
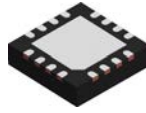
4 x 4, 0.65 mm pitch

PLASTIC QUAD FLATPACK - NO LEAD

This image is a representation of the package family, actual package may vary.
Refer to the product data sheet for package details.



4230969/A



4219093/A 08/2021

NOTES:

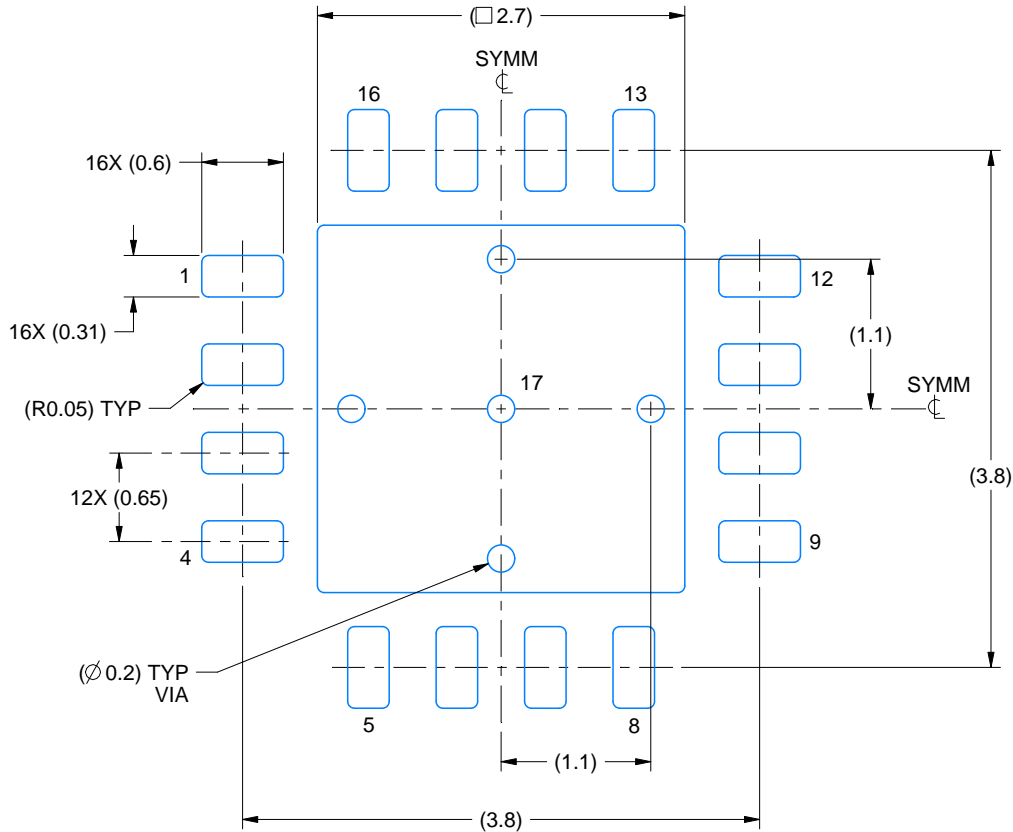
1. All linear dimensions are in millimeters. Any dimensions in parenthesis are for reference only. Dimensioning and tolerancing per ASME Y14.5M.
2. This drawing is subject to change without notice.
3. The package thermal pad must be soldered to the printed circuit board for thermal and mechanical performance.
4. Reference JEDEC registration MO-220.

EXAMPLE BOARD LAYOUT

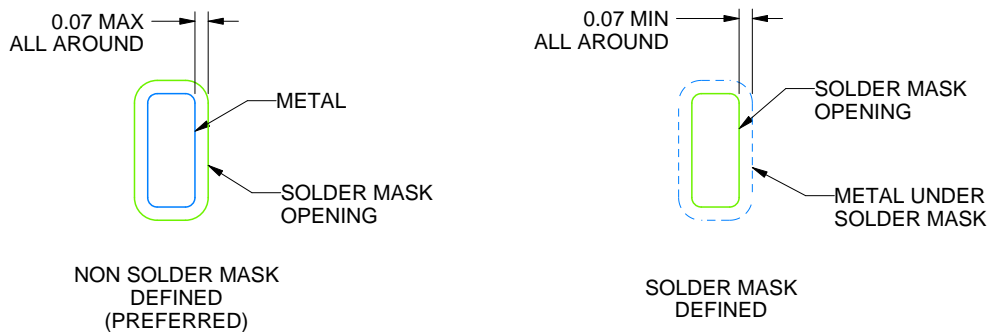
RSA0016B

VQFN - 1 mm max height

PLASTIC QUAD FLATPACK - NO LEAD



LAND PATTERN EXAMPLE
EXPOSED METAL SHOWN
SCALE: 18X



SOLDER MASK DETAILS

4219093/A 08/2021

NOTES: (continued)

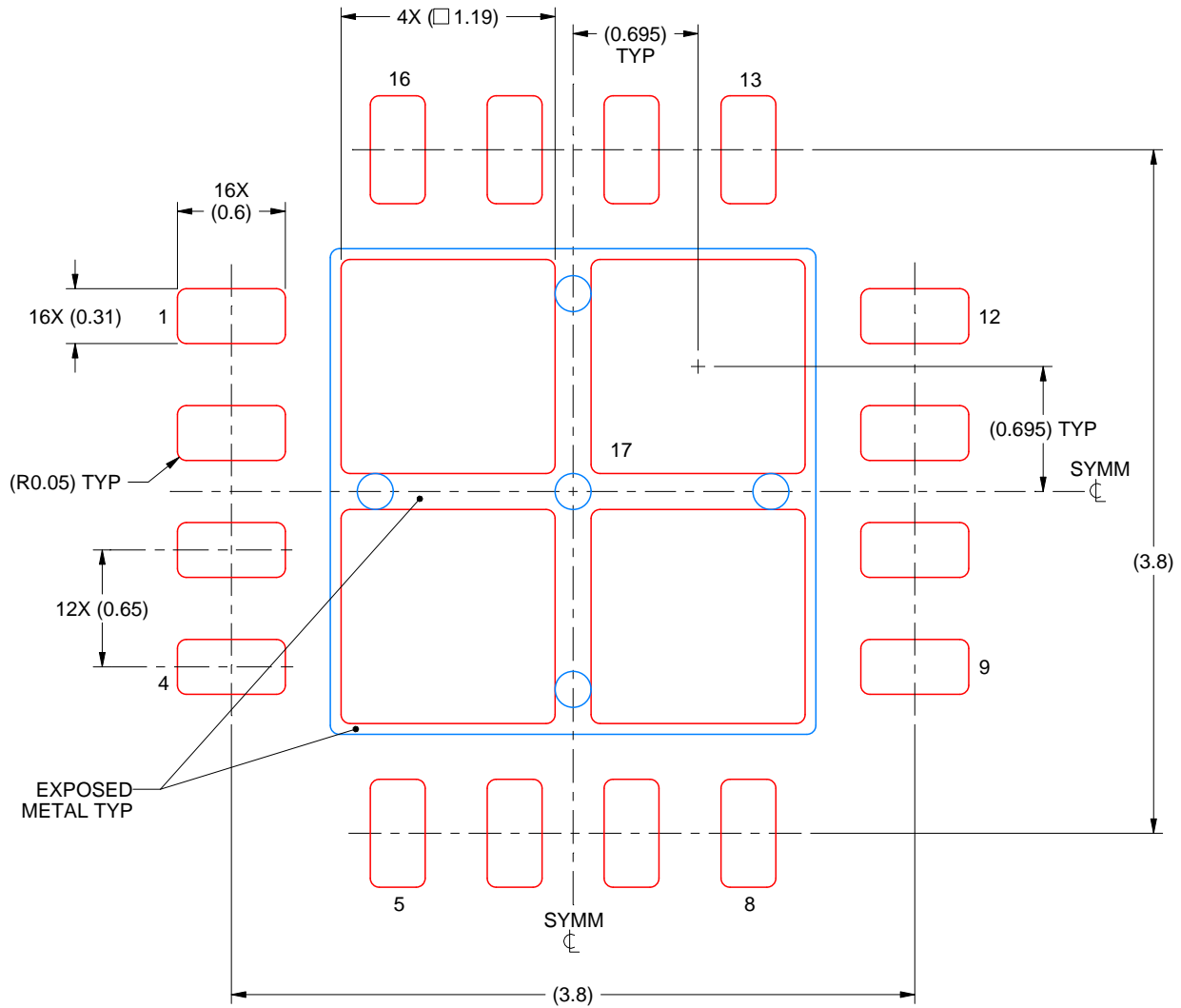
5. This package is designed to be soldered to a thermal pad on the board. For more information, see Texas Instruments literature number SLUA271 (www.ti.com/lit/sluea271).
6. Vias are optional depending on application, refer to device data sheet. If any vias are implemented, refer to their locations shown on this view. It is recommended that vias under paste be filled, plugged or tented.

EXAMPLE STENCIL DESIGN

RSA0016B

VQFN - 1 mm max height

PLASTIC QUAD FLATPACK - NO LEAD



SOLDER PASTE EXAMPLE
 BASED ON 0.125 mm THICK STENCIL

EXPOSED PAD
 77% PRINTED SOLDER COVERAGE BY AREA
 SCALE:25X

4219093/A 08/2021

NOTES: (continued)

7. Laser cutting apertures with trapezoidal walls and rounded corners may offer better paste release. IPC-7525 may have alternate design recommendations.

GENERIC PACKAGE VIEW

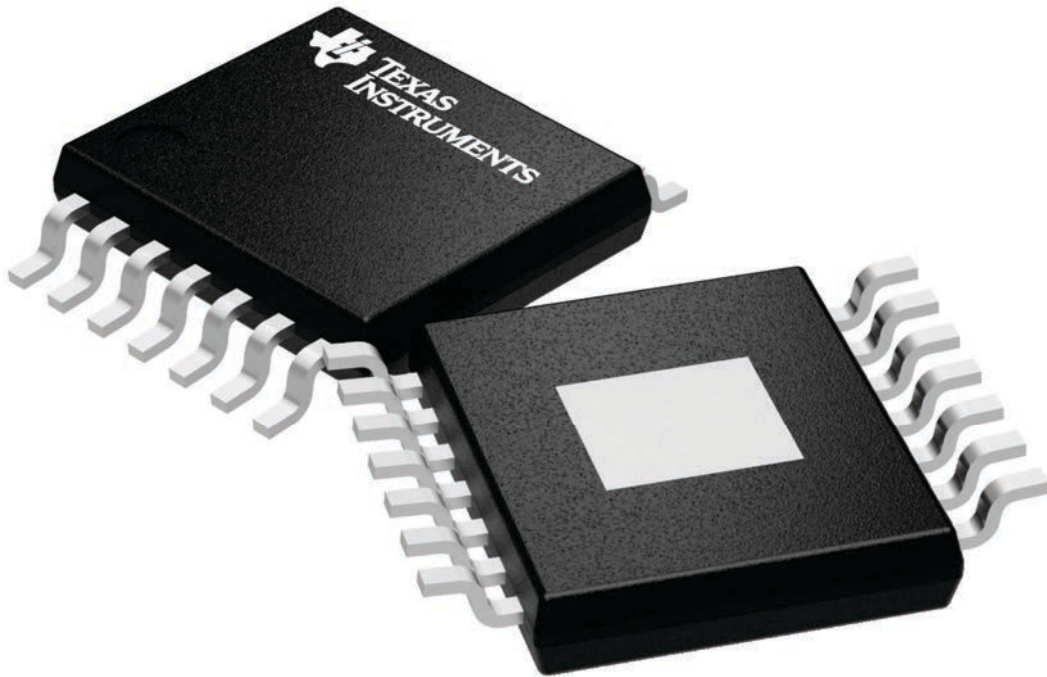
PWP 14

PowerPAD TSSOP - 1.2 mm max height

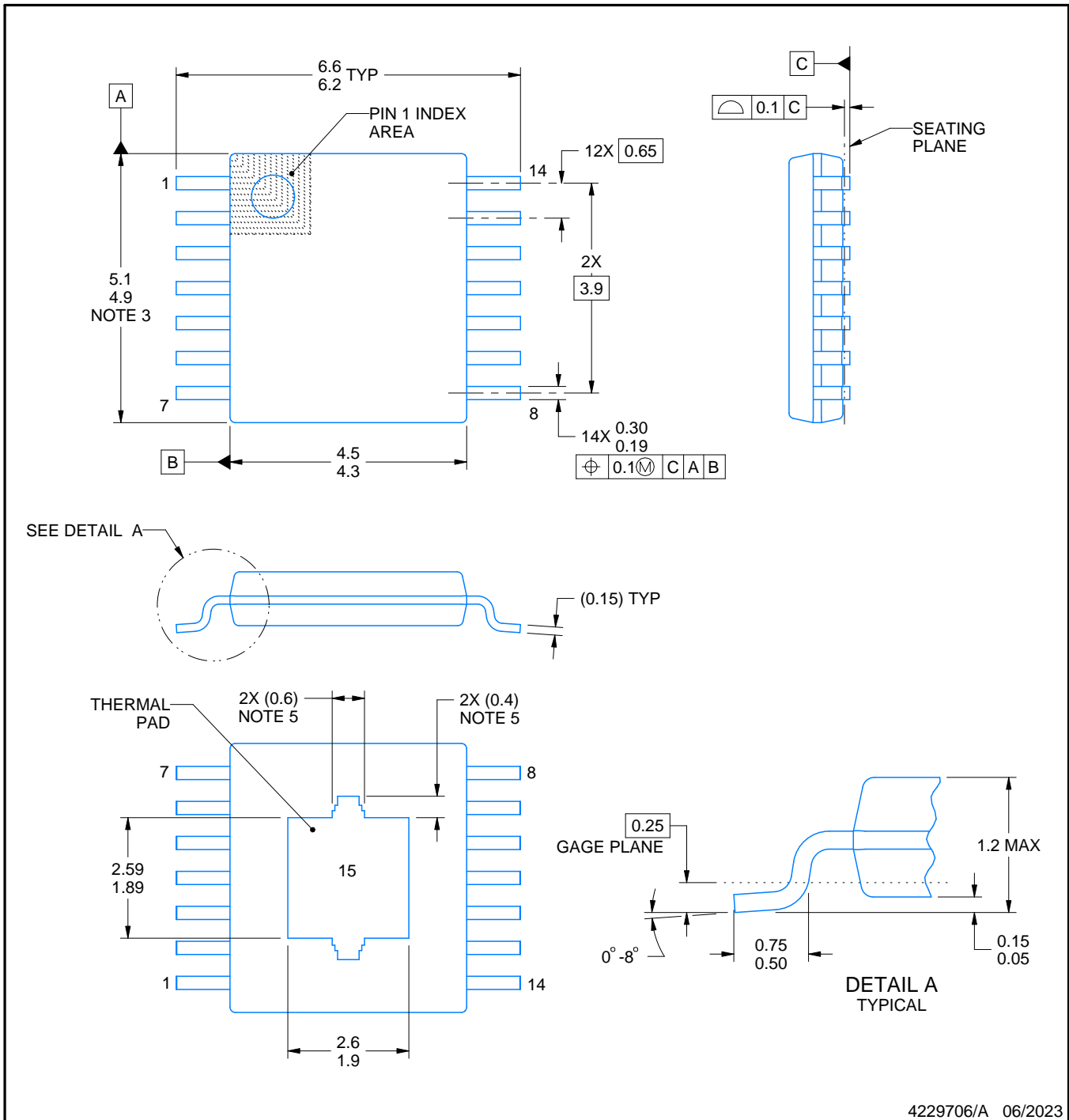
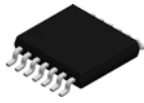
4.4 x 5.0, 0.65 mm pitch

PLASTIC SMALL OUTLINE

This image is a representation of the package family, actual package may vary.
Refer to the product data sheet for package details.



4224995/A



4229706/A 06/2023

NOTES:

PowerPAD is a trademark of Texas Instruments.

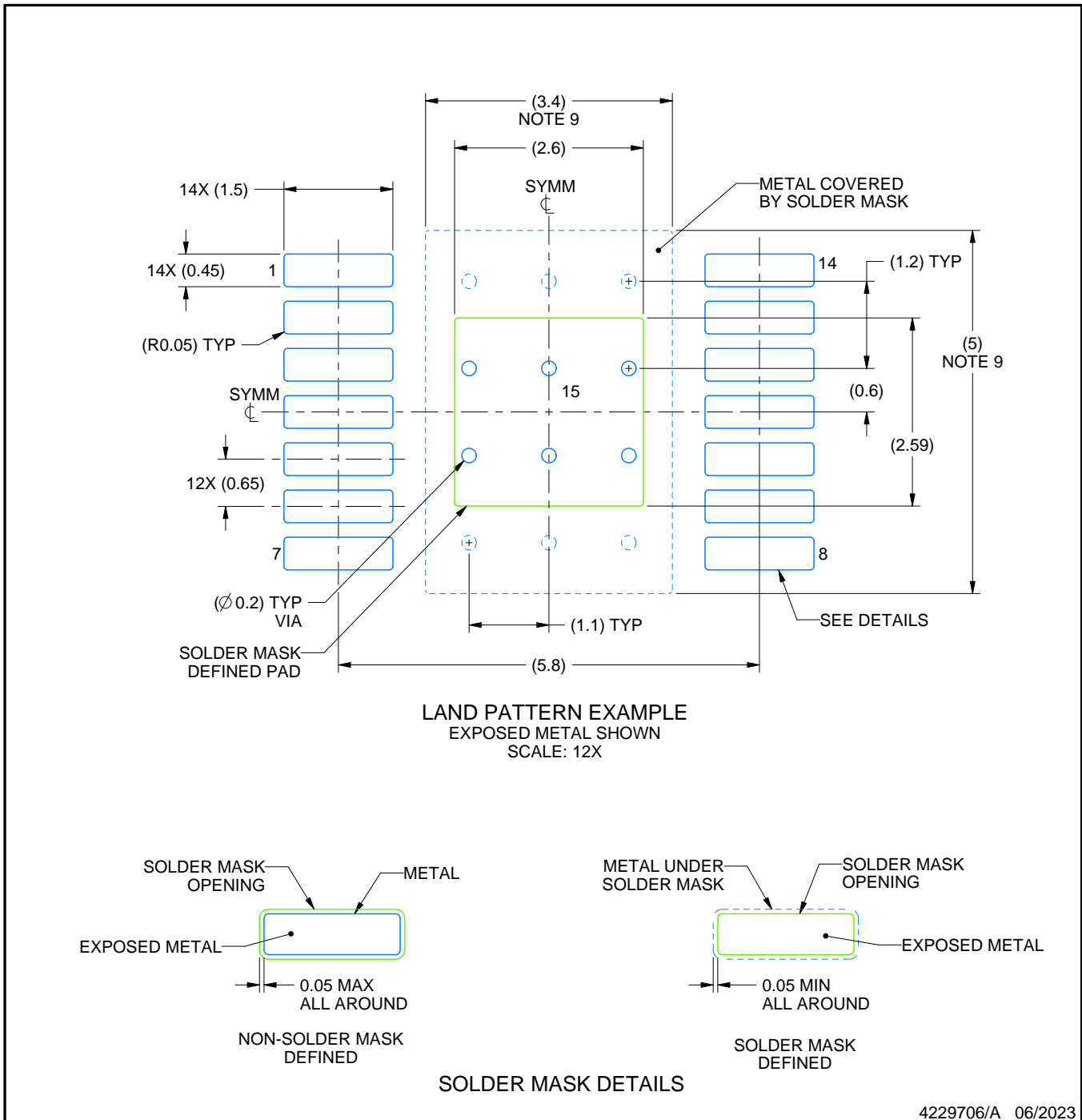
1. All linear dimensions are in millimeters. Any dimensions in parenthesis are for reference only. Dimensioning and tolerancing per ASME Y14.5M.
2. This drawing is subject to change without notice.
3. This dimension does not include mold flash, protrusions, or gate burrs. Mold flash, protrusions, or gate burrs shall not exceed 0.15 mm per side.
4. Reference JEDEC registration MO-153.
5. Features may differ or may not be present.

EXAMPLE BOARD LAYOUT

PWP0014K

PowerPAD™ TSSOP - 1.2 mm max height

SMALL OUTLINE PACKAGE



4229706/A 06/2023

NOTES: (continued)

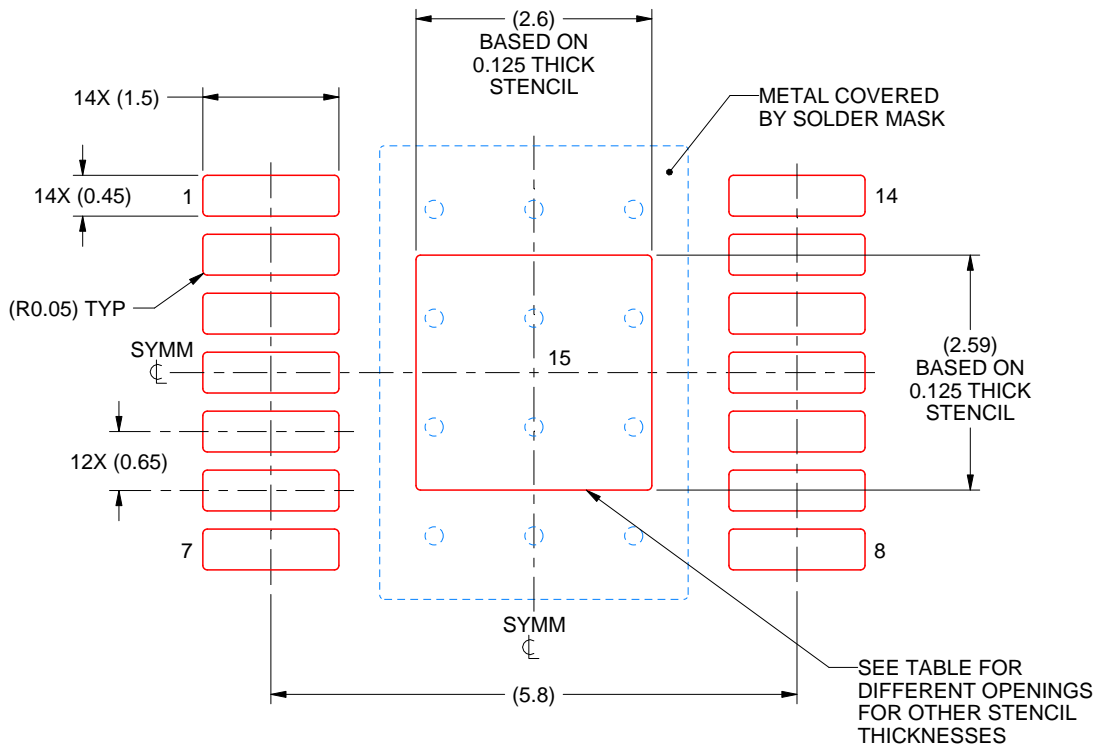
6. Publication IPC-7351 may have alternate designs.
7. Solder mask tolerances between and around signal pads can vary based on board fabrication site.
8. This package is designed to be soldered to a thermal pad on the board. For more information, see Texas Instruments literature numbers SLMA002 (www.ti.com/lit/slma002) and SLMA004 (www.ti.com/lit/slma004).
9. Size of metal pad may vary due to creepage requirement.
10. Vias are optional depending on application, refer to device data sheet. It is recommended that vias under paste be filled, plugged or tented.

EXAMPLE STENCIL DESIGN

PWP0014K

PowerPAD™ TSSOP - 1.2 mm max height

SMALL OUTLINE PACKAGE



SOLDER PASTE EXAMPLE
BASED ON 0.125 mm THICK STENCIL
SCALE: 12X

| STENCIL THICKNESS | SOLDER STENCIL OPENING |
|-------------------|------------------------|
| 0.1 | 2.91 X 2.90 |
| 0.125 | 2.60 X 2.59 (SHOWN) |
| 0.15 | 2.37 X 2.36 |
| 0.175 | 2.20 X 2.19 |

4229706/A 06/2023

NOTES: (continued)

11. Laser cutting apertures with trapezoidal walls and rounded corners may offer better paste release. IPC-7525 may have alternate design recommendations.
12. Board assembly site may have different recommendations for stencil design.

重要なお知らせと免責事項

TI は、技術データと信頼性データ(データシートを含みます)、設計リソース(リファレンス・デザインを含みます)、アプリケーションや設計に関する各種アドバイス、Web ツール、安全性情報、その他のリソースを、欠陥が存在する可能性のある「現状のまま」提供しており、商品性および特定目的に対する適合性の黙示保証、第三者の知的財産権の非侵害保証を含むいかなる保証も、明示的または黙示的にかかわらず拒否します。

これらのリソースは、TI 製品を使用する設計の経験を積んだ開発者への提供を意図したものです。(1) お客様のアプリケーションに適した TI 製品の選定、(2) お客様のアプリケーションの設計、検証、試験、(3) お客様のアプリケーションに該当する各種規格や、その他のあらゆる安全性、セキュリティ、規制、または他の要件への確実な適合に関する責任を、お客様のみが単独で負うものとし、

上記の各種リソースは、予告なく変更される可能性があります。これらのリソースは、リソースで説明されている TI 製品を使用するアプリケーションの開発の目的でのみ、TI はその使用をお客様に許諾します。これらのリソースに関して、他の目的で複製することや掲載することは禁止されています。TI や第三者の知的財産権のライセンスが付与されている訳ではありません。お客様は、これらのリソースを自身で使用した結果発生するあらゆる申し立て、損害、費用、損失、責任について、TI およびその代理人を完全に補償するものとし、TI は一切の責任を拒否します。

TI の製品は、[TI の販売条件](#)、または [ti.com](#) やかかる TI 製品の関連資料などのいずれかを通じて提供する適用可能な条項の下で提供されています。TI がこれらのリソースを提供することは、適用される TI の保証または他の保証の放棄の拡大や変更を意味するものではありません。

お客様がいかなる追加条項または代替条項を提案した場合でも、TI はそれらに異議を唱え、拒否します。

郵送先住所 : Texas Instruments, Post Office Box 655303, Dallas, Texas 75265
Copyright © 2024, Texas Instruments Incorporated