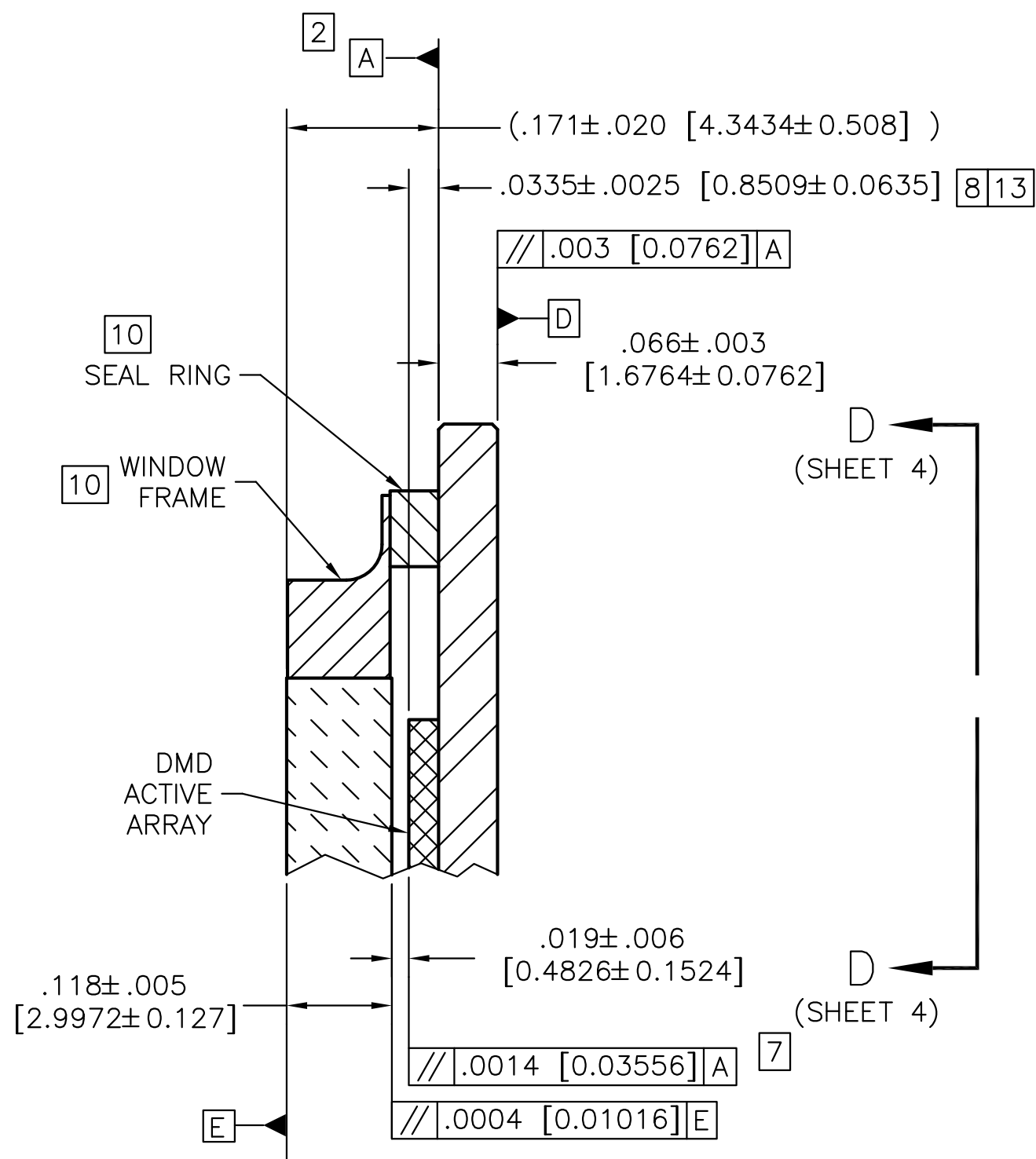
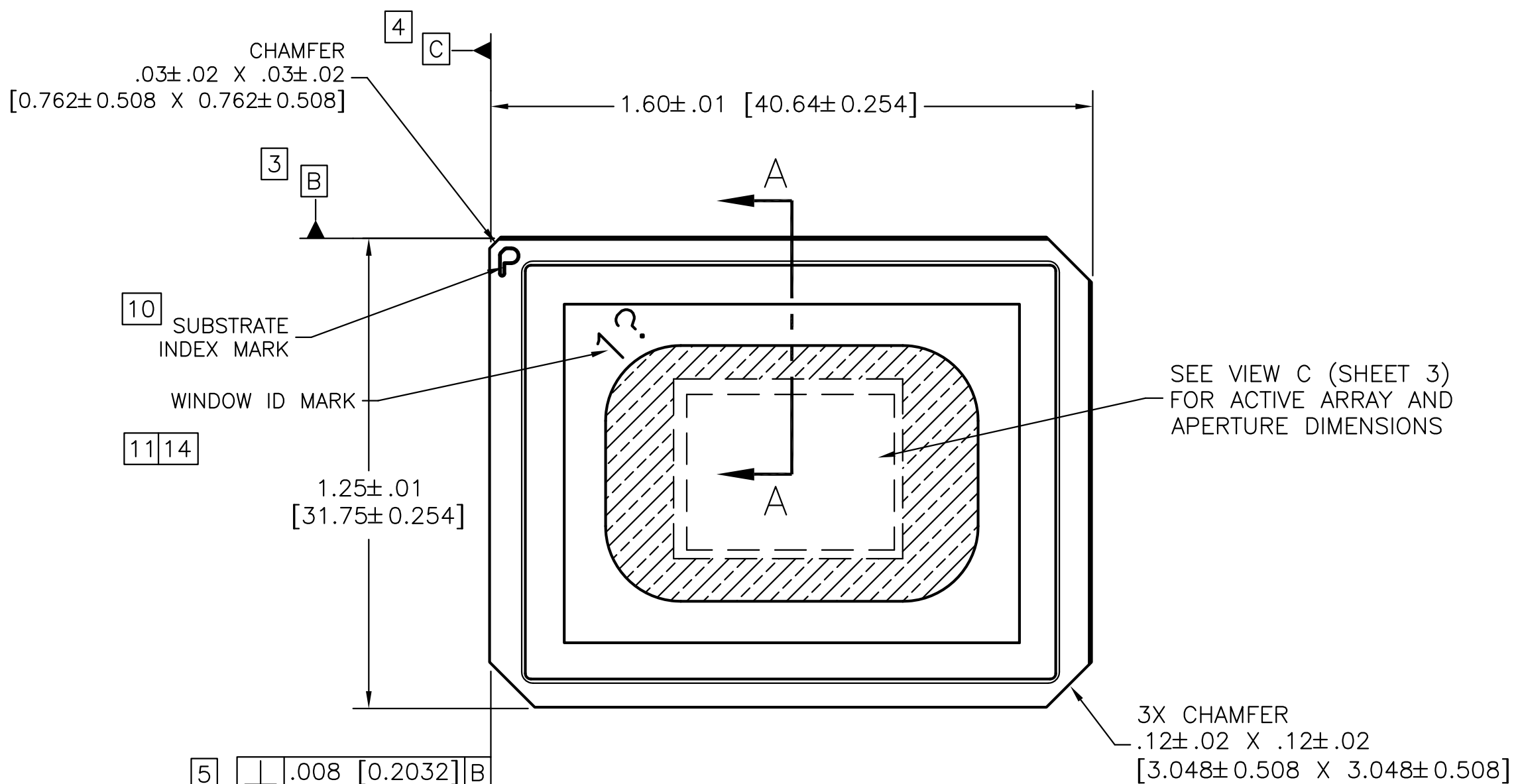


NOTES: UNLESS OTHERWISE SPECIFIED:

1. INTERPRET DIMENSIONS IN ACCORDANCE WITH ASME Y14.5M-1994.
2. DATUM A (SYSTEM INTERFACE PLANE) ESTABLISHED BY THREE DATUM AREAS SHOWN IN VIEW B (SHEET 2).
3. DATUM B ESTABLISHED BY TWO DATUM AREAS SHOWN IN VIEW B (SHEET 2).
4. DATUM C ESTABLISHED BY DATUM AREA SHOWN IN VIEW B (SHEET 2).
5. SUBSTRATE EDGE PERPENDICULARITY TOLERANCE APPLIES TO ENTIRE SURFACE.
6. LOCALIZED BACKSIDE SURFACE FLATNESS APPLIES TO ENTIRE CERAMIC SURFACE.
7. DIE PARALLELISM TOLERANCE APPLIES TO DMD ACTIVE ARRAY ONLY.
8. DIE HEIGHT TOLERANCE APPLIES TO CENTER OF DMD ACTIVE ARRAY ONLY.
9. ROTATION ANGLE OF DMD ACTIVE ARRAY IS A REFINEMENT OF THE LOCATION TOLERANCE AND IS THE MAXIMUM VALUE ALLOWED.
10. SUBSTRATE INDEX MARK, SYMBOLIZATION PAD, SEAL RING, AND WINDOW FRAME TO BE ELECTRICALLY CONNECTED TO VSS PLANE IN SUBSTRATE.
11. WINDOW SHALL BE ORIENTED SUCH THAT WINDOW ID MARK ALIGNS WITH SUBSTRATE INDEX MARK AS SHOWN.
12. (DELETED)
13. DMD ACTIVE ARRAY DIMENSIONS ARE RELATED TO DATUM A (PRIMARY), DATUM B (SECONDARY), AND DATUM C (TERTIARY).
14. ? IS A WILD CARD CHARACTER AND CAN BE ANY LETTER.
15. SUBSTRATES PLATED WITH Ni/Au SHALL HAVE THE THREE-DIGIT NUMERICAL MARKING AS SHOWN ABOVE THE SYMBOLIZATION PAD. SUBSTRATES WITH Ni/Pd/Au SHALL HAVE MARKING IN THE ALTERNATE LOCATION BELOW THE SYMBOLIZATION PAD.

© COPYRIGHT 2006 TEXAS INSTRUMENTS UNPUBLISHED, ALL RIGHTS RESERVED.

REVISIONS			
REV	DESCRIPTION	DATE	APPROVED
A	ECO 2071155, INITIAL RELEASE	07/24/06	MRW
B	ECO 2077187, CHG DESG FROM 29	02/19/07	MRW
C	ECO 2150557, ADD NOTE 15, UPDATE VIEW D-D SHEET 4.	05/12/15	MAA
D	ECO 2179942, DELETE NOTE 12	03/01/19	BMH



SECTION A-A
SCALE 6/1

QTY	ITEM NO	PART OR IDENTIFYING NUMBER	NOMENCLATURE OR DESCRIPTION	NOTES												
PARTS LIST																
			DWN M. WILLIAMS DATE 07/12/06	<p>TEXAS INSTRUMENTS Dallas, Texas</p> <p>ICD, MECHANICAL, DMD .7XGA 2xLVDS TYPE A (FLP)</p> <p>SIZE C DRAWING NO 2507867 REV D</p> <p>SCALE 3/1 SHEET 1 OF 4</p>												
			ENGR A. ARAYATA 07/12/06													
			QA													
			APVD													
		<p>UNLESS OTHERWISE SPECIFIED</p> <ul style="list-style-type: none"> DIMENSIONS ARE IN INCHES [MILLIMETERS] TOLERANCES: ANGLES ± 1° 3 PLACE DECIMALS ± .005 [0.127] 2 PLACE DECIMALS ± .01 [0.254] <ul style="list-style-type: none"> REMOVE ALL BURRS AND SHARP EDGES CONCENTRICITY-MACHINED DIAMETERS-.010 FIM DIMENSIONAL LIMITS APPLY BEFORE PROGRESSIVE PARENTHETICAL INFO FOR REF ONLY 														
		<p>HOLE TOLERANCE</p> <table border="1"> <tr> <td>.013 ± .004 THRU ± .001</td> <td>.126 ± .005 THRU ± .001</td> <td>.251 ± .008 THRU ± .001</td> </tr> <tr> <td>.125 ± .005 THRU ± .001</td> <td>.250 ± .005 THRU ± .001</td> <td>.500 ± .010 THRU ± .012</td> </tr> <tr> <td>.501 ± .008 THRU ± .001</td> <td>.751 ± .010 THRU ± .001</td> <td>1.000 ± .001 THRU ± .001</td> </tr> <tr> <td>.750 ± .001 THRU ± .001</td> <td>1.000 ± .001 THRU ± .001</td> <td>2.000 ± .001 THRU ± .001</td> </tr> </table>		.013 ± .004 THRU ± .001	.126 ± .005 THRU ± .001	.251 ± .008 THRU ± .001	.125 ± .005 THRU ± .001	.250 ± .005 THRU ± .001	.500 ± .010 THRU ± .012	.501 ± .008 THRU ± .001	.751 ± .010 THRU ± .001	1.000 ± .001 THRU ± .001	.750 ± .001 THRU ± .001	1.000 ± .001 THRU ± .001	2.000 ± .001 THRU ± .001	
.013 ± .004 THRU ± .001	.126 ± .005 THRU ± .001	.251 ± .008 THRU ± .001														
.125 ± .005 THRU ± .001	.250 ± .005 THRU ± .001	.500 ± .010 THRU ± .012														
.501 ± .008 THRU ± .001	.751 ± .010 THRU ± .001	1.000 ± .001 THRU ± .001														
.750 ± .001 THRU ± .001	1.000 ± .001 THRU ± .001	2.000 ± .001 THRU ± .001														
		<p>THIRD ANGLE PROJECTION</p> <p>NONE 0314DA</p> <p>NEXT ASSY USED ON</p> <p>APPLICATION</p>														

4

3

2

1

D

D

C

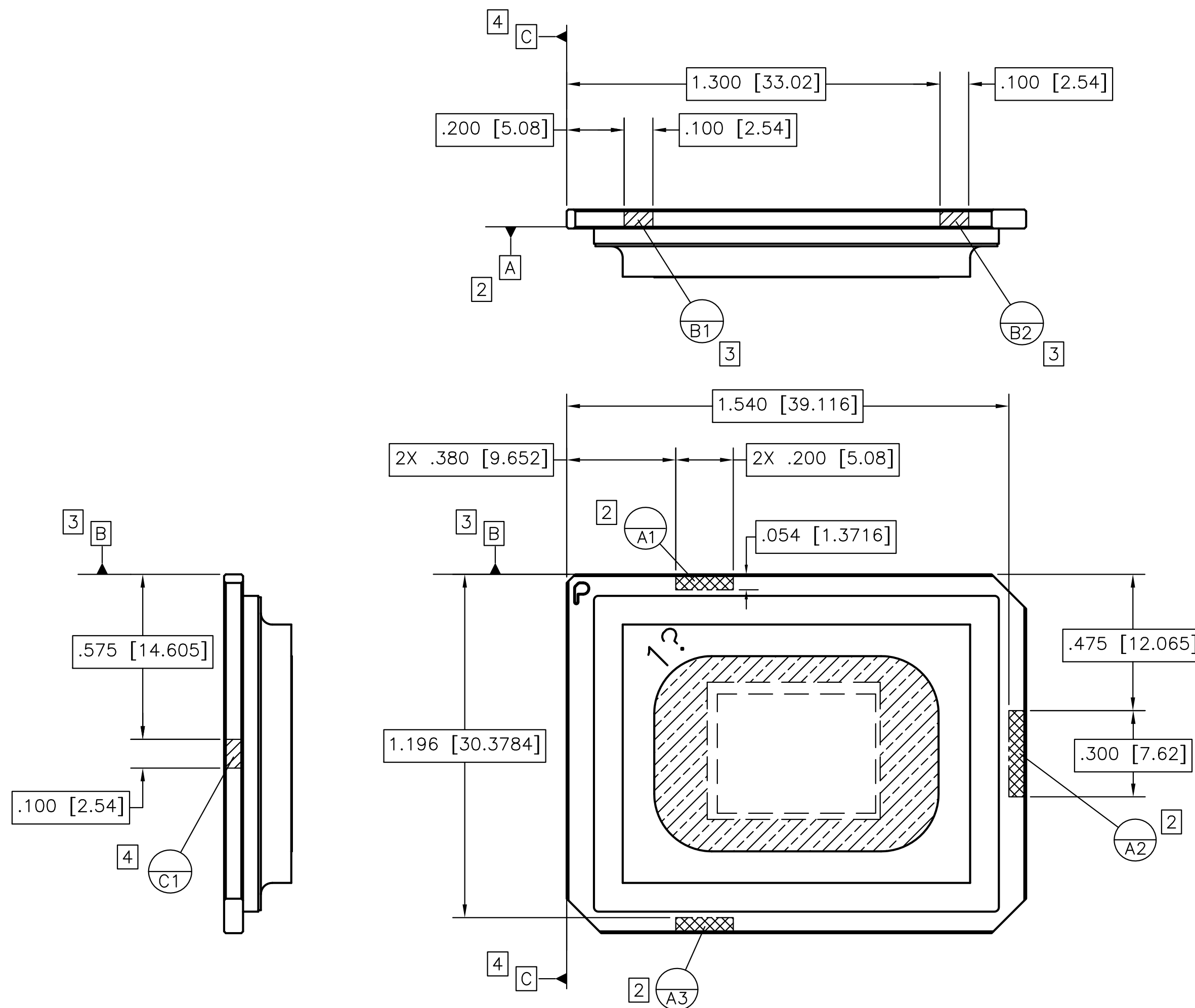
C

B

B


A

A



VIEW B (SHEET 1 NOTES)
DATUMS A, B, AND C

DWG NO 2507867 SH 2

 TEXAS INSTRUMENTS <i>Dallas, Texas</i>	DWN	DATE	SIZE	DRAWING NO	REV
	ISSUE DATE	SCALE 3/1	2507867	D	
			SHEET 2		

4

3

2

1

D

D

C

C

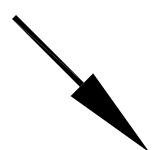
B

B

A

A

INCIDENT LIGHT



13

.5242±.006
[13.3158408±0.1524]

(.5515 [14.008])
DMD ACTIVE ARRAY

B 3

4 C

9 13

0.0°±0.8°
(ANGLE)

.4182±.006
[10.62188122±0.1524]

13

(.4136 [10.5062])
DMD ACTIVE ARRAY

.0412±.0105 [1.04552±0.2667]

.4780±.0020
[12.14008±0.0508]

WINDOW SHIELD
APERTURE


DMD
ACTIVE ARRAY

.0352±.0105 [0.89422±0.2667]

.6090±.0020 [15.4691±0.0508]

VIEW C (SHEET 1)
DMD ACTIVE ARRAY AND
WINDOW SHIELD APERTURE

DWG NO 2507867 SH 3

 TEXAS INSTRUMENTS <i>Dallas, Texas</i>	DWN	DATE	SIZE C	DRAWING NO 2507867	REV D
	ISSUE DATE		SCALE 3/1	SHEET 3	

4

3

2

1

D

D

203X $\varnothing.054 \pm .003$ [1.3716 \pm 0.0762]

\varnothing	$\varnothing.020$	[0.508]	D	B	C
	$\varnothing.010$	[0.254]	D		

29X .050 [1.27] = 1.450 [36.83]

.075 [1.905]

(.100 [2.54])

15

(.050 [1.27])

.075 [1.905]

.365 \pm .010 [9.271 \pm 0.254]

.52 \pm .01 [13.208 \pm 0.254]

(.050 [1.27])

(.100 [2.54])

22X .050 [1.27] = 1.100 [27.94]

074

074

SYMBOLIZATION PAD

10

\square .0004 [0.01016] / .05X.05 [1.27X1.27]

6

15

.72 \pm .01 [18.288 \pm 0.254]


.44 \pm .01 [11.176 \pm 0.254]

VIEW D-D (SHEET 1)
SCALE 6/1

SH 4

DWG NO 2507867

DWG NO

 TEXAS INSTRUMENTS Dallas, Texas	DWN	DATE	SIZE	DRAWING NO	REV
	ISSUE DATE	SCALE	3/1	2507867	D
			SHEET	4	

ACEC2c

4

3

2

1

A

A

IMPORTANT NOTICE AND DISCLAIMER

TI PROVIDES TECHNICAL AND RELIABILITY DATA (INCLUDING DATASHEETS), DESIGN RESOURCES (INCLUDING REFERENCE DESIGNS), APPLICATION OR OTHER DESIGN ADVICE, WEB TOOLS, SAFETY INFORMATION, AND OTHER RESOURCES "AS IS" AND WITH ALL FAULTS, AND DISCLAIMS ALL WARRANTIES, EXPRESS AND IMPLIED, INCLUDING WITHOUT LIMITATION ANY IMPLIED WARRANTIES OF MERCHANTABILITY, FITNESS FOR A PARTICULAR PURPOSE OR NON-INFRINGEMENT OF THIRD PARTY INTELLECTUAL PROPERTY RIGHTS.

These resources are intended for skilled developers designing with TI products. You are solely responsible for (1) selecting the appropriate TI products for your application, (2) designing, validating and testing your application, and (3) ensuring your application meets applicable standards, and any other safety, security, or other requirements. These resources are subject to change without notice. TI grants you permission to use these resources only for development of an application that uses the TI products described in the resource. Other reproduction and display of these resources is prohibited. No license is granted to any other TI intellectual property right or to any third party intellectual property right. TI disclaims responsibility for, and you will fully indemnify TI and its representatives against, any claims, damages, costs, losses, and liabilities arising out of your use of these resources.

TI's products are provided subject to TI's Terms of Sale (www.ti.com/legal/termsofsale.html) or other applicable terms available either on ti.com or provided in conjunction with such TI products. TI's provision of these resources does not expand or otherwise alter TI's applicable warranties or warranty disclaimers for TI products.

Mailing Address: Texas Instruments, Post Office Box 655303, Dallas, Texas 75265
Copyright © 2019, Texas Instruments Incorporated