

# MILITARY Brief



---

A NEWSLETTER FOR TEXAS INSTRUMENTS MILITARY CUSTOMERS

Volume 12

July 1998

Issue 2

SGYN133

---

## Advanced High-Speed CMOS Logic AHC / AHCT

### Description

Advanced High-Speed CMOS Logic (AHC and AHCT) provide the HCMOS user an excellent migration path to upgrade their speed performance in low power / low noise / low drive applications. AHC devices are fully compatible with CMOS switching levels while AHCT devices are TTL switching level compatible. These technologies have been fully qualified per the requirements of MIL-PRF-38535 (QML).

### Performance

- **Speed:** With typical propagation delays of 6.0ns (octals), roughly 3 times faster than HC, AHC is the quick and quiet solution for higher speed operation.
  - **Low Noise:** AHC allows designers who like the low noise characteristics of HCMOS to design at today's performance levels without the overshoot/undershoot problems typical of higher drive devices usually required to achieve AHC speed levels.
  - **Low Power:** AHC averages 40 $\mu$ A of static current, half that of HCMOS.
  - **Drive:** Output current is  $\pm 8$ mA at 5.0V Vcc and  $\pm 4$ mA at 3.3V Vcc.
  - **Technology:** EPIC™ - Enhanced-Performance Implanted CMOS process.
  - **Latch-Up Immunity:** AHC and AHCT exceed 300mA per JEDEC Standard JESD-17.
  - **Pricing:** AHC and AHCT are priced at parity with standard HC and HCT
-

## Packaging

Package	Ceramic Dual In-Line (CDIP) [J suffix]			Ceramic Leadless Chip Carrier (LCCC) [FK suffix]			Ceramic Flat Package (CFP) [W suffix]		
	Pins	Weight	$R_{\theta_{JA}}$	$R_{\theta_{JC}}$	Weight	$R_{\theta_{JA}}$	$R_{\theta_{JC}}$	Weight	$R_{\theta_{JA}}$
14	2.1	120	28	(*)	(*)	(*)	0.4	180	22
16	2.2	90	28	(*)	(*)	(*)	0.5	165	22
20	3.1	66	28	0.5	65	20	0.6	130	22

**Weight**.....Typical weight value given is in grams.

$R_{\theta_{JA}}$  Thermal resistance of a package without a path for heat dissipation. This is specified at a zero linear feet per minute air flow. Value given is in °C/W.

$R_{\theta_{JC}}$ ..... Thermal resistance of a package assuming an infinite path for heat dissipation. Value given is in °C/W.

(\*) The smallest LCCC available is a 20-pad package.

## Applications

AHC and AHCT are well suited for communications and hand-held (battery powered) equipment such as man-pack radios, hand-held FLIRs, helmet-mounted displays, smart munitions and hand-held SAMs.

## Literature Information

1997 AHC/AHCT Logic Data Book — Literature Number SCLD003A

1997 SLL CD-ROM — Literature Number SCBC001A

Individual Data Sheets — Available from the TI Product Information Center at (972) 644-5580 or via TI's internet site at

<http://www.ti.com/sc>

Visit the TI Military Semiconductors home page at

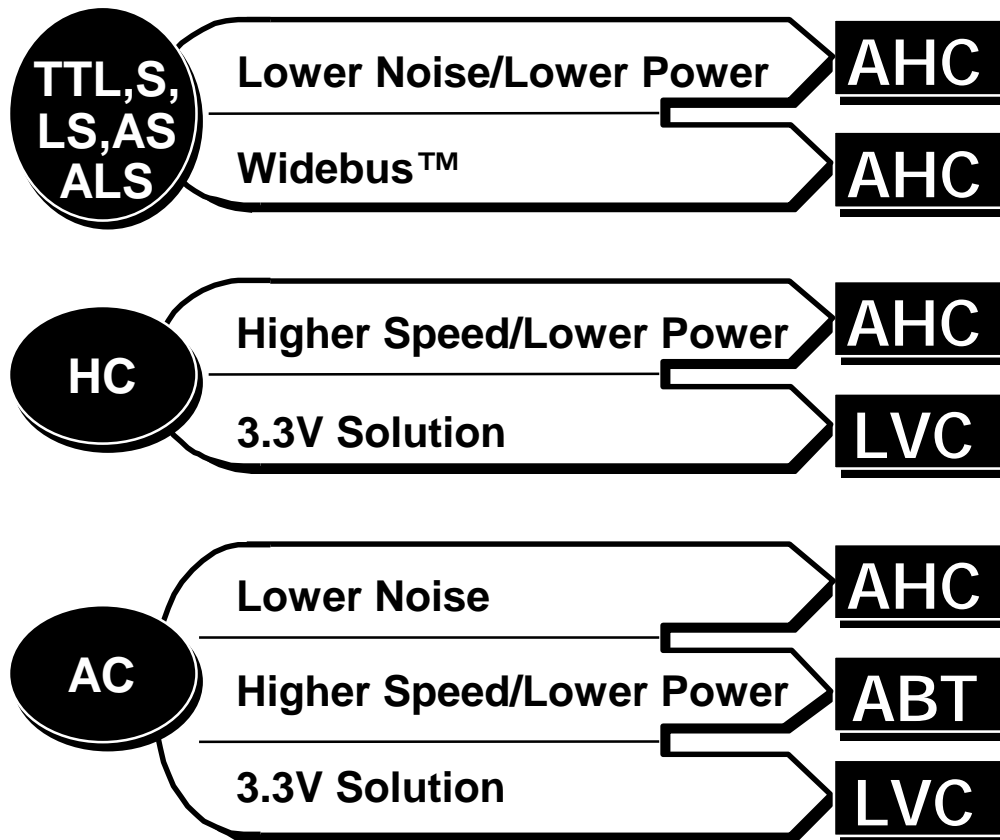
<http://www.ti.com/sc/docs/military/welcome.htm>

---

The chart below shows the various upgrade paths available to the military designer via TI's Advanced Logic solutions:

## Logic Migration Chart

---



---

## Support

For more information on this and other TI logic products, please access our worldwide web site located at [www.ti.com](http://www.ti.com) or go directly to the URL for TI Military Semiconductors located at [www.ti.com/sc/docs/military/welcome.htm](http://www.ti.com/sc/docs/military/welcome.htm).

Receive additional assistance with logic products by calling the Texas Instruments Product Information Center (PIC) during normal business hours (CST/CDT) or the European PIC.

EPIC and Widebus are trademarks of Texas Instruments Inc.

---

## Product Information Center

### North America

Telephone # - 972-644-5580 (English)

Fax # - 972-480-7800

PIC - [www.ti.com/sc/docs/pic/americas.htm](http://www.ti.com/sc/docs/pic/americas.htm)

PIC E-mail - [sc-infomaster@ti.com](mailto:sc-infomaster@ti.com)

Military Products - [www.ti.com/sc/docs/military/welcome.htm](http://www.ti.com/sc/docs/military/welcome.htm)

Distributor Listing - [www.ti.com/sc/docs/distmenu.htm](http://www.ti.com/sc/docs/distmenu.htm)

### Europe

#### Multilingual Technical Hotline

Francais: +33-(0)1-30 70 11 64

English: +44 (0)1604 66 33 99

Italiano: +33-(0)1-30 70 11 67

Deutsch: +49-(0)8161-80 33 11

E-Mail: [epic@ti.com](mailto:epic@ti.com)

24 Hours FAXLINE +33-(0)1-30 70 10 32

#### Application Support (via modem)

BBS: +33-(0)1-30 70 11 99

Internet: <http://www.ti.com>

## IMPORTANT NOTICE

Texas Instruments Incorporated and its subsidiaries (TI) reserve the right to make corrections, modifications, enhancements, improvements, and other changes to its products and services at any time and to discontinue any product or service without notice. Customers should obtain the latest relevant information before placing orders and should verify that such information is current and complete. All products are sold subject to TI's terms and conditions of sale supplied at the time of order acknowledgment.

TI warrants performance of its hardware products to the specifications applicable at the time of sale in accordance with TI's standard warranty. Testing and other quality control techniques are used to the extent TI deems necessary to support this warranty. Except where mandated by government requirements, testing of all parameters of each product is not necessarily performed.

TI assumes no liability for applications assistance or customer product design. Customers are responsible for their products and applications using TI components. To minimize the risks associated with customer products and applications, customers should provide adequate design and operating safeguards.

TI does not warrant or represent that any license, either express or implied, is granted under any TI patent right, copyright, mask work right, or other TI intellectual property right relating to any combination, machine, or process in which TI products or services are used. Information published by TI regarding third-party products or services does not constitute a license from TI to use such products or services or a warranty or endorsement thereof. Use of such information may require a license from a third party under the patents or other intellectual property of the third party, or a license from TI under the patents or other intellectual property of TI.

Reproduction of information in TI data books or data sheets is permissible only if reproduction is without alteration and is accompanied by all associated warranties, conditions, limitations, and notices. Reproduction of this information with alteration is an unfair and deceptive business practice. TI is not responsible or liable for such altered documentation.

Resale of TI products or services with statements different from or beyond the parameters stated by TI for that product or service voids all express and any implied warranties for the associated TI product or service and is an unfair and deceptive business practice. TI is not responsible or liable for any such statements.

### Mailing Address:

Texas Instruments  
Post Office Box 655303  
Dallas, Texas 75265