

What Is a Low Noise Inverting Buck Converter?



Chris Glaser

Do you need a negative voltage to power your data converter or amplifier? These types of systems usually require low noise to power such sensitive analog circuitry. While a linear regulator (LDO) is frequently used to achieve low noise, what if the switching DC/DC converter could provide low noise by itself? If you could use only a DC/DC converter, you could save significant bill of materials (BOM) costs, reduce your printed circuit board (PCB) space and remove additional power loss from your system.

How does a [low-noise inverting buck converter](#) work? [Figure 1](#) shows the basic schematic and typical waveforms from the [TPS63710](#). The C_{CP} capacitor, between the CP and SW pins, inverts the supply voltage, which is then further downregulated. The low-side (LSD) and rectifying (RECT) MOSFETs provide synchronous rectification for high efficiency. To begin a switching cycle, the high-side (HSD) and RECT MOSFETs turn on to charge C_{CP} to V_{IN} . Once charged, both the HSD and RECT MOSFETs open and the LSD MOSFET closes to deliver C_{CP} 's stored energy to the output. The duty cycle is regulated to provide a low-noise and regulated output voltage.

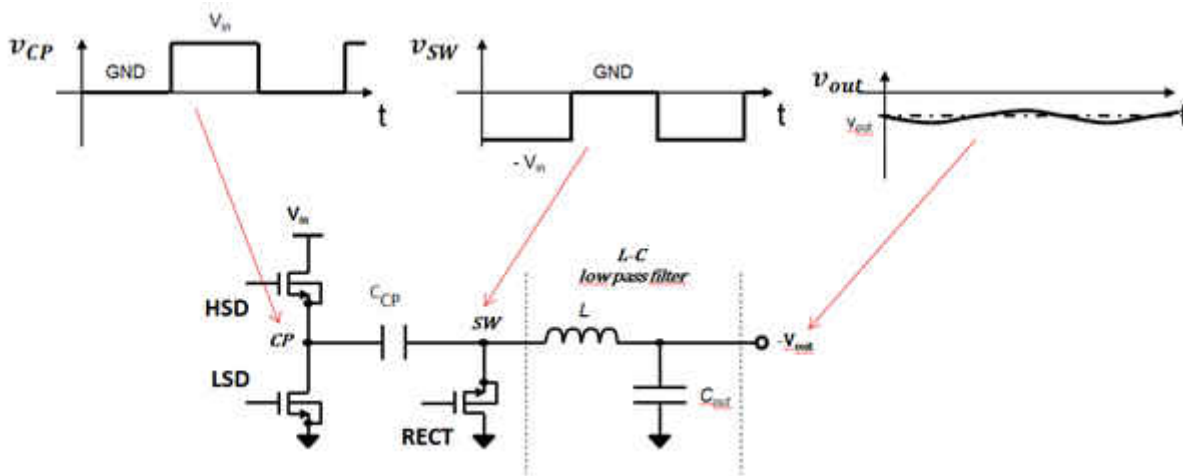


Figure 1. Simplified Schematic of a Low-noise Inverting Buck Converter, TPS63710

The low-noise inverting buck converter is a voltage inverter – it creates a negative voltage. Because it is an inverting buck converter and not an inverting buck-boost converter, the output voltage (in absolute value) must always be below the input voltage for proper regulation.

Let's see how the entire solution benefits from the combination of all of its traits. [Figure 2](#) shows the full schematic of the [TPS63710](#) low-noise inverting buck converter.

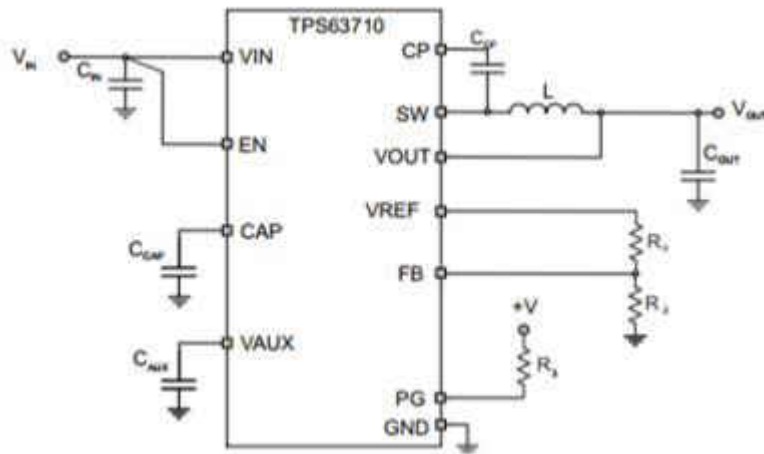


Figure 2. The Low-noise Inverting Buck Converter TPS63710

Low noise is the most important characteristic when trying to achieve critical system performance parameters such as signal resolution and noise floor. The power supply, whether a switching DC/DC converter or otherwise, should not add additional noise to the system, because this noise can show up on the measured signal and result in distortions. The topology continuous output current and the device's CAP pin enable the TPS63710 to achieve very low noise.

Continuous output current refers to the inductor being in series with the output stage and load. This is the same as in a typical step-down (buck) converter and supports a low output-voltage ripple from the switching action. Specifically, this topology keeps the output voltage free from most high-frequency noise that would otherwise be created by having a discontinuous output current across the output capacitor's equivalent series resistance (ESR) and equivalent series inductance (ESL), as found in the [traditional inverting buck-boost topology](#). While some high-frequency noise above 100MHz still couples through the inductor's windings, you can easily filter this noise with a ferrite bead. The inverting buck topology creates a lower magnitude of switching ripple at its 1.5MHz switching frequency than the inverting buck-boost topology with the same output filter.

Additionally, the CAP pin reduces the self-generated, low-frequency 1/f noise, which typically comes from the voltage reference (bandgap voltage) inside the DC/DC. The external capacitor (C_{CAP}) forms a low-pass filter with an internal resistor to achieve extremely small low-frequency noise below 100kHz, as shown in [Figure 3](#). This noise-reduction functionality is the same as what's found on a high-performance LDO's noise reduction and soft-start (NR/SS) pin, such as in the TPS7A8300, and is the biggest concern in many telecommunications systems since this noise occurs within the bandwidth of the transmission channel and is difficult to filter out. Including this 1/f-noise filter inside the DC/DC reduces the low-frequency 1/f noise to acceptable levels.

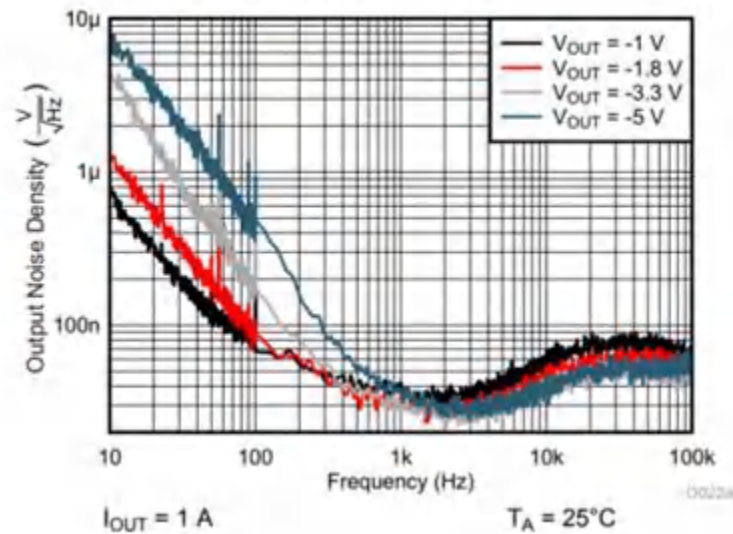


Figure 3. Output Noise Density of a Low-noise Inverting Buck Converter

At last, there is a switching DC/DC converter with low noise to create that cumbersome negative rail in a single inverting step. Which part of your analog signal chain will it power?

Additional Resources

- Read the blog post, [“Low-noise charge pumps make it easy to create negative voltages.”](#)
- Check out the [3- to 11.5V_{IN}, -5V_{OUT}, 1.5A Inverting Power Module Reference Design for Small, Low-Noise Systems](#) and [3V to 15.2V Input, 2A, -1.8V Inverting Power Module Reference Design for Up to 125°C](#).
- Order the [DAC38RF80 dual-channel, 14-bit, 9GSPS, 6x-24x interpolating, 6 and 9GHz PLL DAC evaluation module](#).

IMPORTANT NOTICE AND DISCLAIMER

TI PROVIDES TECHNICAL AND RELIABILITY DATA (INCLUDING DATA SHEETS), DESIGN RESOURCES (INCLUDING REFERENCE DESIGNS), APPLICATION OR OTHER DESIGN ADVICE, WEB TOOLS, SAFETY INFORMATION, AND OTHER RESOURCES "AS IS" AND WITH ALL FAULTS, AND DISCLAIMS ALL WARRANTIES, EXPRESS AND IMPLIED, INCLUDING WITHOUT LIMITATION ANY IMPLIED WARRANTIES OF MERCHANTABILITY, FITNESS FOR A PARTICULAR PURPOSE OR NON-INFRINGEMENT OF THIRD PARTY INTELLECTUAL PROPERTY RIGHTS.

These resources are intended for skilled developers designing with TI products. You are solely responsible for (1) selecting the appropriate TI products for your application, (2) designing, validating and testing your application, and (3) ensuring your application meets applicable standards, and any other safety, security, regulatory or other requirements.

These resources are subject to change without notice. TI grants you permission to use these resources only for development of an application that uses the TI products described in the resource. Other reproduction and display of these resources is prohibited. No license is granted to any other TI intellectual property right or to any third party intellectual property right. TI disclaims responsibility for, and you will fully indemnify TI and its representatives against, any claims, damages, costs, losses, and liabilities arising out of your use of these resources.

TI's products are provided subject to [TI's Terms of Sale](#) or other applicable terms available either on [ti.com](https://www.ti.com) or provided in conjunction with such TI products. TI's provision of these resources does not expand or otherwise alter TI's applicable warranties or warranty disclaimers for TI products.

TI objects to and rejects any additional or different terms you may have proposed.

Mailing Address: Texas Instruments, Post Office Box 655303, Dallas, Texas 75265
Copyright © 2024, Texas Instruments Incorporated