

# MSP430 Assembly Language Tools v20.2.0.LTS

## User's Guide



Literature Number: SLAU131V  
October 2004–Revised February 2020

<b>Preface</b> .....	<b>10</b>
<b>1 Introduction to the Software Development Tools</b> .....	<b>13</b>
1.1 Software Development Tools Overview .....	14
1.2 Tools Descriptions.....	15
<b>2 Introduction to Object Modules</b> .....	<b>16</b>
2.1 Object File Format Specifications .....	17
2.2 Executable Object Files .....	17
2.3 Introduction to Sections .....	17
2.3.1 Special Section Names.....	18
2.4 How the Assembler Handles Sections .....	18
2.4.1 Uninitialized Sections .....	19
2.4.2 Initialized Sections .....	20
2.4.3 User-Named Sections .....	20
2.4.4 Current Section .....	21
2.4.5 Section Program Counters .....	21
2.4.6 Subsections .....	22
2.4.7 Using Sections Directives .....	22
2.5 How the Linker Handles Sections.....	24
2.5.1 Combining Input Sections .....	25
2.5.2 Placing Sections.....	25
2.6 Symbols .....	26
2.6.1 Global (External) Symbols .....	26
2.6.2 Local Symbols .....	27
2.6.3 Weak Symbols.....	27
2.6.4 The Symbol Table.....	28
2.7 Symbolic Relocations .....	28
2.7.1 Relocation Entries .....	29
2.8 Loading a Program.....	29
<b>3 Program Loading and Running</b> .....	<b>30</b>
3.1 Loading .....	31
3.1.1 Load and Run Addresses .....	31
3.1.2 Bootstrap Loading.....	32
3.2 Entry Point.....	36
3.3 Run-Time Initialization .....	36
3.3.1 The <code>_c_int00</code> Function .....	36
3.3.2 RAM Model vs. ROM Model .....	37
3.3.3 About Linker-Generated Copy Tables .....	38
3.4 Arguments to main .....	39
3.5 Run-Time Relocation .....	39
3.6 Additional Information.....	39
<b>4 Assembler Description</b> .....	<b>40</b>
4.1 Assembler Overview .....	41
4.2 The Assembler's Role in the Software Development Flow .....	42
4.3 Invoking the Assembler.....	43

4.4	Controlling Application Binary Interface .....	44
4.5	Naming Alternate Directories for Assembler Input .....	44
4.5.1	Using the --include_path Assembler Option .....	45
4.5.2	Using the MSP430_A_DIR Environment Variable .....	45
4.6	Source Statement Format .....	47
4.6.1	Label Field.....	47
4.6.2	Mnemonic Field.....	48
4.6.3	Operand Field.....	48
4.6.4	Comment Field .....	49
4.7	Literal Constants .....	49
4.7.1	Integer Literals .....	49
4.7.2	Character String Literals.....	51
4.7.3	Floating-Point Literals.....	51
4.8	Assembler Symbols .....	52
4.8.1	Identifiers .....	52
4.8.2	Labels.....	52
4.8.3	Local Labels.....	53
4.8.4	Symbolic Constants .....	54
4.8.5	Defining Symbolic Constants (--asm_define Option) .....	55
4.8.6	Predefined Symbolic Constants .....	56
4.8.7	Registers .....	56
4.8.8	Substitution Symbols.....	57
4.9	Expressions .....	58
4.9.1	Mathematical and Logical Operators .....	59
4.9.2	Relational Operators and Conditional Expressions .....	60
4.9.3	Well-Defined Expressions .....	60
4.10	Built-in Functions and Operators .....	61
4.10.1	Built-In Math and Trigonometric Functions .....	61
4.10.2	MSP430 Built-In ELF Relocation Generating Operators .....	62
4.11	Source Listings .....	62
4.12	Debugging Assembly Source .....	64
4.13	Cross-Reference Listings .....	65
<b>5</b>	<b>Assembler Directives .....</b>	<b>66</b>
5.1	Directives Summary.....	67
5.2	Directives that Define Sections .....	71
5.3	Directives that Initialize Values .....	72
5.4	Directives that Perform Alignment and Reserve Space .....	75
5.5	Directives that Format the Output Listings .....	76
5.6	Directives that Reference Other Files .....	77
5.7	Directives that Enable Conditional Assembly.....	77
5.8	Directives that Define Union or Structure Types .....	78
5.9	Directives that Define Enumerated Types .....	78
5.10	Directives that Define Symbols at Assembly Time .....	78
5.11	Miscellaneous Directives .....	79
5.12	Directives Reference.....	80
<b>6</b>	<b>Macro Language Description .....</b>	<b>137</b>
6.1	Using Macros.....	138
6.2	Defining Macros.....	138
6.3	Macro Parameters/Substitution Symbols .....	140
6.3.1	Directives That Define Substitution Symbols.....	141
6.3.2	Built-In Substitution Symbol Functions.....	142
6.3.3	Recursive Substitution Symbols .....	143
6.3.4	Forced Substitution .....	143

6.3.5	Accessing Individual Characters of Subscripted Substitution Symbols.....	144
6.3.6	Substitution Symbols as Local Variables in Macros .....	145
6.4	Macro Libraries.....	146
6.5	Using Conditional Assembly in Macros .....	147
6.6	Using Labels in Macros .....	149
6.7	Producing Messages in Macros .....	150
6.8	Using Directives to Format the Output Listing .....	151
6.9	Using Recursive and Nested Macros .....	152
6.10	Macro Directives Summary.....	153
<b>7</b>	<b>Archiver Description .....</b>	<b>154</b>
7.1	Archiver Overview .....	155
7.2	The Archiver's Role in the Software Development Flow.....	156
7.3	Invoking the Archiver .....	157
7.4	Archiver Examples.....	158
7.5	Library Information Archiver Description.....	160
7.5.1	Invoking the Library Information Archiver.....	160
7.5.2	Library Information Archiver Example .....	160
7.5.3	Listing the Contents of an Index Library .....	161
7.5.4	Requirements .....	161
<b>8</b>	<b>Linker Description .....</b>	<b>162</b>
8.1	Linker Overview .....	163
8.2	The Linker's Role in the Software Development Flow .....	164
8.3	Invoking the Linker.....	165
8.4	Linker Options .....	166
8.4.1	Wildcards in File, Section, and Symbol Patterns .....	168
8.4.2	Specifying C/C++ Symbols with Linker Options .....	168
8.4.3	Relocation Capabilities (--absolute_exe and --relocatable Options) .....	168
8.4.4	Allocate Memory for Use by the Loader to Pass Arguments (--arg_size Option) .....	170
8.4.5	Compression (--cinit_compression and --copy_compression Option) .....	170
8.4.6	Control Linker Diagnostics.....	171
8.4.7	Automatic Library Selection (--disable_auto_rts Option) .....	171
8.4.8	Do Not Remove Unused Sections (--unused_section_elimination Option) .....	171
8.4.9	Linker Command File Preprocessing (--disable_pp, --define and --undefine Options).....	172
8.4.10	Error Correcting Code Testing (--ecc Options) .....	173
8.4.11	Define an Entry Point (--entry_point Option) .....	174
8.4.12	Set Default Fill Value (--fill_value Option) .....	174
8.4.13	Define Heap Size (--heap_size Option).....	174
8.4.14	Hiding Symbols .....	175
8.4.15	Alter the Library Search Algorithm (--library, --search_path, and MSP430_C_DIR ) .....	175
8.4.16	Change Symbol Localization .....	178
8.4.17	Create a Map File (--map_file Option) .....	179
8.4.18	Managing Map File Contents (--mapfile_contents Option) .....	180
8.4.19	Disable Name Demangling (--no_demangle) .....	181
8.4.20	Disable Merging of Symbolic Debugging Information (--no_sym_merge Option) .....	181
8.4.21	Strip Symbolic Information (--no_symtable Option) .....	182
8.4.22	Name an Output Module (--output_file Option) .....	182
8.4.23	Prioritizing Function Placement (--preferred_order Option) .....	182
8.4.24	C Language Options (--ram_model and --rom_model Options) .....	182
8.4.25	Retain Discarded Sections (--retain Option) .....	183
8.4.26	Create an Absolute Listing File (--run_abs Option) .....	183
8.4.27	Scan All Libraries for Duplicate Symbol Definitions (--scan_libraries).....	183
8.4.28	Define Stack Size (--stack_size Option) .....	184
8.4.29	Enforce Strict Compatibility (--strict_compatibility Option) .....	184

8.4.30	Mapping of Symbols (--symbol_map Option) .....	184
8.4.31	Introduce an Unresolved Symbol (--undef_sym Option).....	184
8.4.32	Replace Multiply Routine With Hardware Multiplier Routine (--use_hw_mpy).....	185
8.4.33	Display a Message When an Undefined Output Section Is Created (--warn_sections).....	185
8.4.34	Generate XML Link Information File (--xml_link_info Option).....	185
8.4.35	Zero Initialization (--zero_init Option) .....	185
8.5	Linker Command Files .....	186
8.5.1	Reserved Names in Linker Command Files.....	187
8.5.2	Constants in Linker Command Files .....	187
8.5.3	Accessing Files and Libraries from a Linker Command File .....	188
8.5.4	The MEMORY Directive .....	189
8.5.5	The SECTIONS Directive.....	191
8.5.6	Placing a Section at Different Load and Run Addresses.....	205
8.5.7	Using GROUP and UNION Statements .....	207
8.5.8	Special Section Types (DSECT, COPY, NOLOAD, NOINIT, and VECT_INIT) .....	212
8.5.9	Configuring Error Correcting Code (ECC) with the Linker.....	212
8.5.10	Assigning Symbols at Link Time.....	215
8.5.11	Creating and Filling Holes .....	221
8.6	Linker Symbols.....	224
8.6.1	Using Linker Symbols in C/C++ Applications .....	224
8.6.2	Declaring Weak Symbols .....	225
8.6.3	Resolving Symbols with Object Libraries .....	225
8.7	Default Placement Algorithm .....	226
8.7.1	How the Allocation Algorithm Creates Output Sections .....	227
8.7.2	Reducing Memory Fragmentation .....	227
8.8	Using Linker-Generated Copy Tables.....	228
8.8.1	Using Copy Tables for Boot Loading.....	228
8.8.2	Using Built-in Link Operators in Copy Tables .....	229
8.8.3	Overlay Management Example .....	230
8.8.4	Generating Copy Tables With the table() Operator .....	230
8.8.5	Compression .....	236
8.8.6	Copy Table Contents.....	239
8.8.7	General Purpose Copy Routine.....	240
8.9	Linker-Generated CRC Tables.....	242
8.9.1	The crc_table() Operator.....	242
8.9.2	Restrictions .....	242
8.9.3	Examples .....	243
8.9.4	Interface.....	245
8.9.5	Verification of Linker Computed CRC on MSP430.....	247
8.10	Partial (Incremental) Linking.....	247
8.11	Linking C/C++ Code .....	249
8.11.1	Run-Time Initialization .....	249
8.11.2	Object Libraries and Run-Time Support .....	249
8.11.3	Setting the Size of the Stack and Heap Sections .....	249
8.11.4	Initializing and Autoinitializing Variables at Run Time.....	250
8.11.5	Initialization of Cinit and Watchdog Timer Hold.....	250
8.12	Linker Example.....	250
<b>9</b>	<b>Absolute Lister Description .....</b>	<b>253</b>
9.1	Producing an Absolute Listing .....	254
9.2	Invoking the Absolute Lister .....	255
9.3	Absolute Lister Example .....	256
<b>10</b>	<b>Cross-Reference Lister Description .....</b>	<b>259</b>
10.1	Producing a Cross-Reference Listing .....	260

10.2	Invoking the Cross-Reference Lister .....	261
10.3	Cross-Reference Listing Example .....	262
<b>11</b>	<b>Object File Utilities .....</b>	<b>264</b>
11.1	Invoking the Object File Display Utility .....	265
11.2	Invoking the Disassembler.....	266
11.3	Invoking the Name Utility .....	267
11.4	Invoking the Strip Utility .....	267
<b>12</b>	<b>Hex Conversion Utility Description .....</b>	<b>268</b>
12.1	The Hex Conversion Utility's Role in the Software Development Flow .....	269
12.2	Invoking the Hex Conversion Utility .....	270
12.2.1	Invoking the Hex Conversion Utility From the Command Line .....	270
12.2.2	Invoking the Hex Conversion Utility With a Command File .....	272
12.3	Understanding Memory Widths .....	273
12.3.1	Target Width.....	273
12.3.2	Specifying the Memory Width .....	274
12.3.3	Partitioning Data Into Output Files .....	275
12.3.4	Specifying Word Order for Output Words .....	276
12.4	The ROMS Directive .....	277
12.4.1	When to Use the ROMS Directive.....	278
12.4.2	An Example of the ROMS Directive.....	279
12.5	The SECTIONS Directive.....	281
12.6	The Load Image Format (--load_image Option) .....	282
12.6.1	Load Image Section Formation .....	282
12.6.2	Load Image Characteristics .....	282
12.7	Excluding a Specified Section.....	283
12.8	Assigning Output Filenames .....	283
12.9	Image Mode and the --fill Option .....	284
12.9.1	Generating a Memory Image.....	284
12.9.2	Specifying a Fill Value .....	285
12.9.3	Steps to Follow in Using Image Mode .....	285
12.10	Array Output Format .....	285
12.11	Controlling the ROM Device Address.....	285
12.12	Control Hex Conversion Utility Diagnostics .....	286
12.13	Description of the Object Formats.....	287
12.13.1	ASCII-Hex Object Format (--ascii Option) .....	287
12.13.2	Intel MCS-86 Object Format (--intel Option).....	288
12.13.3	Motorola Exorciser Object Format (--motorola Option).....	289
12.13.4	Extended Tektronix Object Format (--tektronix Option) .....	290
12.13.5	Texas Instruments SDSMAC (TI-Tagged) Object Format (--ti_tagged Option).....	291
12.13.6	TI-TXT Hex Format (--ti_txt Option) .....	292
<b>13</b>	<b>Sharing C/C++ Header Files With Assembly Source .....</b>	<b>293</b>
13.1	Overview of the .cdecls Directive .....	294
13.2	Notes on C/C++ Conversions .....	294
13.2.1	Comments .....	294
13.2.2	Conditional Compilation (#if/#else/#ifdef/etc.).....	295
13.2.3	Pragmas .....	295
13.2.4	The #error and #warning Directives.....	295
13.2.5	Predefined symbol __ASM_HEADER__ .....	295
13.2.6	Usage Within C/C++ asm( ) Statements.....	295
13.2.7	The #include Directive .....	295
13.2.8	Conversion of #define Macros .....	295
13.2.9	The #undef Directive .....	296
13.2.10	Enumerations .....	296

13.2.11	C Strings.....	296
13.2.12	C/C++ Built-In Functions .....	297
13.2.13	Structures and Unions .....	297
13.2.14	Function/Variable Prototypes .....	297
13.2.15	C Constant Suffixes .....	298
13.2.16	Basic C/C++ Types .....	298
13.3	Notes on C++ Specific Conversions .....	298
13.3.1	Name Mangling .....	298
13.3.2	Derived Classes .....	298
13.3.3	Templates.....	299
13.3.4	Virtual Functions .....	299
13.4	Special Assembler Support.....	299
13.4.1	Enumerations (.enum/.emember/.endenum).....	299
13.4.2	The .define Directive .....	299
13.4.3	The .undefine/.unasg Directives .....	299
13.4.4	The \$defined( ) Built-In Function .....	300
13.4.5	The \$sizeof Built-In Function .....	300
13.4.6	Structure/Union Alignment and \$alignof( ) .....	300
13.4.7	The .cstring Directive .....	300
<b>A</b>	<b>Symbolic Debugging Directives.....</b>	<b>301</b>
A.1	DWARF Debugging Format .....	302
A.2	Debug Directive Syntax .....	302
<b>B</b>	<b>XML Link Information File Description.....</b>	<b>303</b>
B.1	XML Information File Element Types .....	304
B.2	Document Elements .....	304
B.2.1	Header Elements .....	304
B.2.2	Input File List .....	305
B.2.3	Object Component List.....	306
B.2.4	Logical Group List .....	307
B.2.5	Placement Map .....	309
B.2.6	Far Call Trampoline List .....	310
B.2.7	Symbol Table.....	311
<b>C</b>	<b>CRC Reference Implementation.....</b>	<b>312</b>
C.1	Reference CRC Calculation Routine .....	313
C.2	Linker-Generated Copy Tables and CRC Tables .....	316
<b>D</b>	<b>Glossary .....</b>	<b>319</b>
D.1	Terminology .....	319
<b>E</b>	<b>Revision History .....</b>	<b>324</b>
E.1	Recent Revisions .....	324

## List of Figures

1-1.	MSP430 Software Development Flow .....	14
2-1.	Partitioning Memory Into Logical Blocks .....	18
2-2.	Using Sections Directives Example .....	23
2-3.	Object Code Generated by the File in .....	24
2-4.	Combining Input Sections to Form an Executable Object Module.....	25
3-1.	Bootloading Sequence (Simplified) .....	32
3-2.	Bootloading Sequence with Secondary Bootloader .....	33
3-3.	Autoinitialization at Run Time.....	37
3-4.	Initialization at Load Time .....	38
4-1.	The Assembler in the MSP430 Software Development Flow .....	42
4-2.	Example Assembler Listing .....	63
5-1.	The .field Directive .....	73
5-2.	Initialization Directives .....	74
5-3.	The .align Directive.....	75
5-4.	The .space and .bes Directives .....	75
5-5.	32-Bit Single-Precision Floating-Point Format.....	94
5-6.	64-Bit Double-Precision Floating-Point Format.....	94
5-7.	The .field Directive.....	102
5-8.	The .usect Directive .....	135
7-1.	The Archiver in the MSP430 Software Development Flow.....	156
8-1.	The Linker in the MSP430 Software Development Flow .....	164
8-2.	Section Placement Defined by .....	193
8-3.	Run-Time Execution of .....	207
8-4.	Memory Allocation Shown in and .....	209
8-5.	Compressed Copy Table .....	236
8-6.	Handler Table .....	237
8-7.	CRC_TABLE Conceptual Model.....	245
9-1.	Absolute Lister Development Flow .....	254
10-1.	The Cross-Reference Lister Development Flow .....	260
12-1.	The Hex Conversion Utility in the MSP430 Software Development Flow .....	269
12-2.	Hex Conversion Utility Process Flow.....	273
12-3.	Object File Data and Memory Widths .....	274
12-4.	Data, Memory, and ROM Widths .....	276
12-5.	The infile.out File Partitioned Into Four Output Files.....	279
12-6.	ASCII-Hex Object Format.....	287
12-7.	Intel Hexadecimal Object Format .....	288
12-8.	Motorola-S Format.....	289
12-9.	Extended Tektronix Object Format .....	290
12-10.	TI-Tagged Object Format.....	291
12-11.	TI-TXT Object Format .....	292



## List of Tables

4-1.	MSP430 Assembler Options .....	43
4-2.	MSP430 Processor Symbolic Constants .....	56
4-3.	MSP430 Register Symbols with Aliases .....	56
4-4.	Operators Used in Expressions (Precedence) .....	59
4-5.	Built-In Mathematical Functions .....	61
4-6.	Symbol Attributes.....	65
5-1.	Directives that Control Section Use.....	67
5-2.	Directives that Gather Sections into Common Groups .....	67
5-3.	Directives that Affect Unused Section Elimination .....	67
5-4.	Directives that Initialize Values (Data and Memory) .....	67
5-5.	Directives that Perform Alignment and Reserve Space .....	68
5-6.	Directives that Format the Output Listing .....	68
5-7.	Directives that Reference Other Files .....	69
5-8.	Directives that Affect Symbol Linkage and Visibility .....	69
5-9.	Directives that Enable Conditional Assembly.....	69
5-10.	Directives that Define Structure Types .....	69
5-11.	Directives that Define Symbols at Assembly Time .....	70
5-12.	Directives that Create or Affect Macros .....	70
5-13.	Directives that Control Diagnostics .....	70
5-14.	Directives that Perform Assembly Source Debug.....	70
5-15.	Directives that Are Used by the Absolute Lister.....	70
5-16.	Directives that Perform Miscellaneous Functions.....	70
6-1.	Substitution Symbol Functions and Return Values.....	142
6-2.	Creating Macros .....	153
6-3.	Manipulating Substitution Symbols .....	153
6-4.	Conditional Assembly .....	153
6-5.	Producing Assembly-Time Messages.....	153
6-6.	Formatting the Listing .....	153
8-1.	Basic Options Summary .....	166
8-2.	File Search Path Options Summary .....	166
8-3.	Command File Preprocessing Options Summary .....	166
8-4.	Diagnostic Options Summary .....	166
8-5.	Linker Output Options Summary.....	167
8-6.	Symbol Management Options Summary .....	167
8-7.	Run-Time Environment Options Summary .....	167
8-8.	Link-Time Optimization Options Summary .....	168
8-9.	Miscellaneous Options Summary.....	168
8-10.	Predefined MSP430 Macro Names .....	172
8-11.	Groups of Operators Used in Expressions (Precedence) .....	216
10-1.	Symbol Attributes in Cross-Reference Listing .....	262
12-1.	Basic Hex Conversion Utility Options .....	270
12-2.	Options for Specifying Hex Conversion Formats .....	287
A-1.	Symbolic Debugging Directives.....	302

## Read This First

---

---

---

### About This Manual

The *MSP430 Assembly Language Tools User's Guide* explains how to use the following Texas Instruments Code Generation object file tools:

- Assembler
- Archiver
- Linker
- Library information archiver
- Absolute lister
- Cross-reference lister
- Disassembler
- Object file display utility
- Name utility
- Strip utility
- Hex conversion utility

### How to Use This Manual

This book helps you learn how to use the Texas Instruments object file and assembly language tools designed specifically for the MSP430™ 16-bit devices. This book consists of four parts:

- **Introductory information**, consisting of [Chapter 1](#) through [Chapter 3](#), gives you an overview of the object file and assembly language development tools. [Chapter 2](#), in particular, explains object modules and how they can be managed to help your MSP430 application load and run. It is highly recommended that developers become familiar with what object modules are and how they are used before using the assembler and linker.
- **Assembler description**, consisting of [Chapter 4](#) through [Chapter 6](#), contains detailed information about using the assembler. [Chapter 4](#) and [Chapter 5](#) explain how to invoke the assembler and discuss source statement format, valid constants and expressions, assembler output, and assembler directives. [Chapter 6](#) focuses on the macro language.
- **Linker and other object file tools description**, consisting of [Chapter 7](#) through [Chapter 12](#), describes in detail each of the tools provided with the assembler to help you create executable object files. [Chapter 7](#) provides details about using the archiver to create object libraries. [Chapter 8](#) explains how to invoke the linker, how the linker operates, and how to use linker directives. [Chapter 11](#) provides a brief overview of some of the object file utilities that can be useful in examining the content of object files as well as removing symbol and debug information to reduce the size of a given object file. [Chapter 12](#) explains how to use the hex conversion utility.
- **Additional Reference material**, consisting of [Appendix A](#) through [Appendix D](#), provides supplementary information including symbolic debugging directives used by the MSP430 C/C++ compiler. A description of the XML link information file and a glossary are also provided.

## Notational Conventions

This document uses the following conventions:

- Program listings, program examples, and interactive displays are shown in a *special typeface*. Interactive displays use a **bold version** of the special typeface to distinguish commands that you enter from items that the system displays (such as prompts, command output, error messages, etc.).

Here is a sample of C code:

```
#include <stdio.h>
main()
{   printf("hello world\n");
}
```

- In syntax descriptions, the instruction, command, or directive is in a **bold typeface** and parameters are in an *italic typeface*. Portions of a syntax that are in bold should be entered as shown; portions of a syntax that are in italics describe the type of information that should be entered.
- Square brackets ( [ and ] ) identify an optional parameter. If you use an optional parameter, you specify the information within the brackets. Unless the square brackets are in the **bold typeface**, do not enter the brackets themselves. The following is an example of a command that has an optional parameter:

```
cl430 [options] [filenames] [--run_linker [link_options] [object files]]
```

- Braces ( { and } ) indicate that you must choose one of the parameters within the braces; you do not enter the braces themselves. This is an example of a command with braces that are not included in the actual syntax but indicate that you must specify either the `--rom_model` or `--ram_model` option:

```
cl430 --run_linker {--rom_model | --ram_model} filenames [--output_file= name.out]  
--library= libraryname
```

- In assembler syntax statements, The leftmost character position, column 1, is reserved for the first character of a label or symbol. If the label or symbol is optional, it is usually not shown. If it is a required parameter, it is shown starting against the left margin of the box, as in the example below. No instruction, command, directive, or parameter, other than a symbol or label, can begin in column 1.

```
symbol .usect "section name", size in bytes[, alignment]
```

- Some directives can have a varying number of parameters. For example, the `.byte` directive can have multiple parameters. This syntax is shown as [ , ..., *parameter* ].

```
.byte parameter1[, ... , parametern]
```

- Other symbols and abbreviations used throughout this document include the following:

Symbol	Definition
B, b	Suffix — binary integer
H, h	Suffix — hexadecimal integer
LSB	Least significant bit
MSB	Most significant bit
0x	Prefix — hexadecimal integer
Q, q	Suffix — octal integer

## Related Documentation From Texas Instruments

See the following resources for further information about the TI Code Generation Tools:

- Texas Instruments Wiki: [Compiler topics](#)
- Texas Instruments E2E Community: [Compiler forum](#)

You can use the following books to supplement this user's guide:

**SLAU132 —MSP430 Optimizing C/C++ Compiler User's Guide.** Describes the MSP430 C/C++ compiler. This C/C++ compiler accepts ANSI standard C/C++ source code and produces assembly language source code for the MSP430 devices.

**SLAU012 —MSP430x3xx Family User's Guide.** Describes the MSP430x3xx™ CPU architecture, instruction set, pipeline, and interrupts for these ultra-low power microcontrollers.

**SLAU049 —MSP430x1xx Family User's Guide.** Describes the MSP430x1xx™ CPU architecture, instruction set, pipeline, and interrupts for these ultra-low power microcontrollers.

**SLAU056 —MSP430x4xx Family User's Guide.** Describes the MSP430x4xx™ CPU architecture, instruction set, pipeline, and interrupts for these ultra-low power microcontrollers.

**SLAU134 —MSP430FE42x ESP30CE1 Peripheral Module User's Guide.** Describes common peripherals available on the MSP430FE42x and ESP430CE1 ultra-low power microcontrollers. This book includes information on the setup, operation, and registers of the ESP430CE1.

**SLAU144 —MSP430x2xx Family User's Guide.** Describes the MSP430x2xx™ CPU architecture, instruction set, pipeline, and interrupts for these ultra-low power microcontrollers.

**SLAU208 —MSP430x5xx Family User's Guide.** Describes the MSP430x5xx™ CPU architecture, instruction set, pipeline, and interrupts for these ultra-low power microcontrollers.

**SLAA534— MSP430 Embedded Application Binary Interface.** Provides a specification for the ELF-based Embedded Application Binary Interface (EABI) for the MSP430 family of processors from Texas Instruments. The EABI defines the low-level interface between programs, program components, and the execution environment, including the operating system if one is present.

## Trademarks

MSP430 is a trademark of Texas Instruments.

All other trademarks are the property of their respective owners.

## Introduction to the Software Development Tools

---

---

The MSP430™ is supported by a set of software development tools, which includes an optimizing C/C++ compiler, an assembler, a linker, and assorted utilities. This chapter provides an overview of these tools.

The MSP430 is supported by the following assembly language development tools:

- Assembler
- Archiver
- Linker
- Library information archiver
- Absolute lister
- Cross-reference lister
- Object file display utility
- Disassembler
- Name utility
- Strip utility
- Hex conversion utility

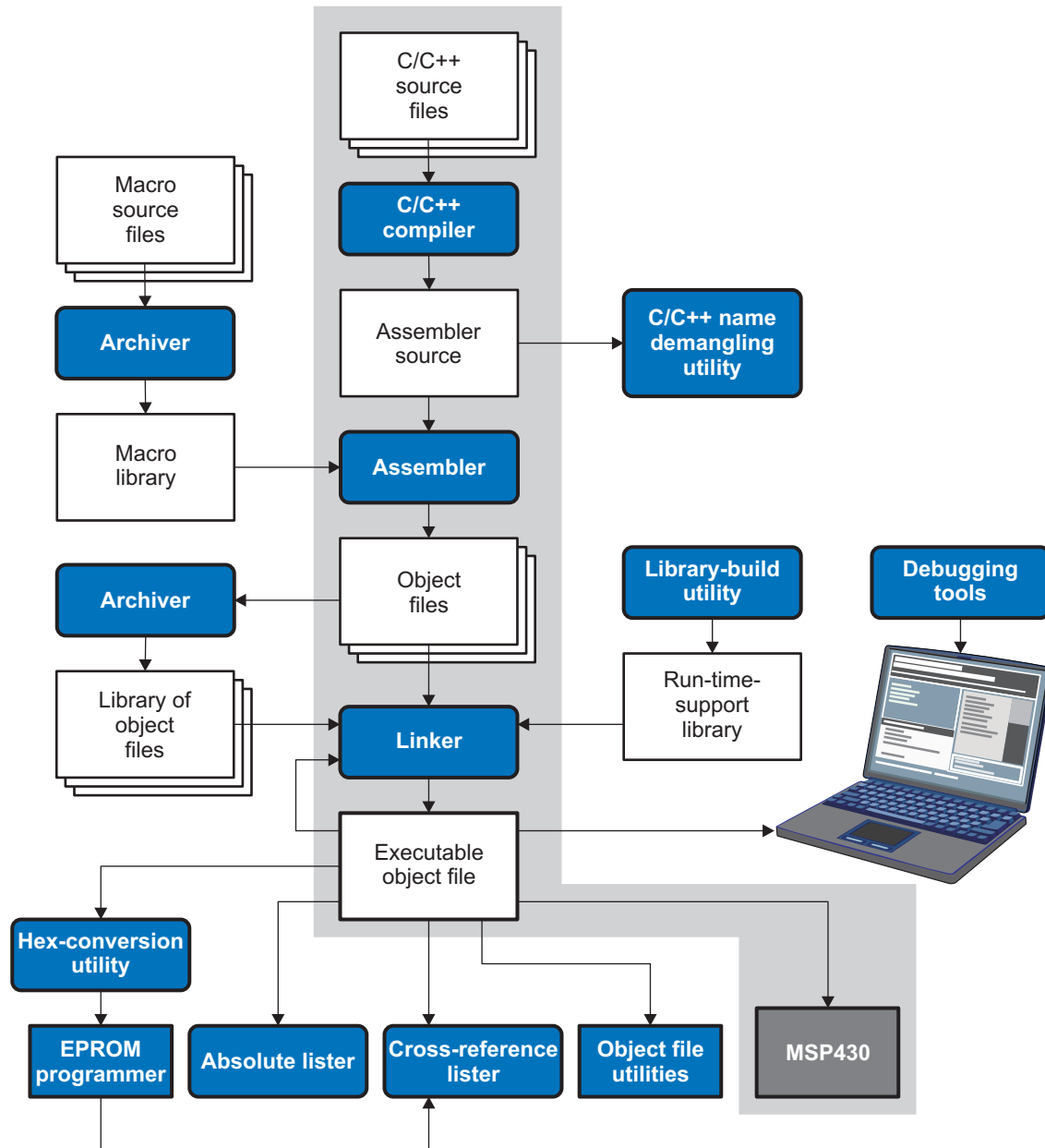
This chapter shows how these tools fit into the general software tools development flow and gives a brief description of each tool. For convenience, it also summarizes the C/C++ compiler and debugging tools. For detailed information on the compiler and debugger, and for complete descriptions of the MSP430, refer to the books listed in *Related Documentation From Texas Instruments*.

Topic	Page
<b>1.1 Software Development Tools Overview .....</b>	<b>14</b>
<b>1.2 Tools Descriptions .....</b>	<b>15</b>

## 1.1 Software Development Tools Overview

Figure 1-1 shows the MSP430 software development flow. The shaded portion highlights the most common development path; the other portions are optional. The other portions are peripheral functions that enhance the development process.

Figure 1-1. MSP430 Software Development Flow



## 1.2 Tools Descriptions

The following list describes the tools that are shown in [Figure 1-1](#):

- The **C/C++ compiler** accepts C/C++ source code and produces MSP430 machine code object modules. See the *MSP430 Optimizing C/C++ Compiler User's Guide* for more information. A **shell program**, an **optimizer**, and an **interlist utility** are included in the installation:
  - The shell program enables you to compile, assemble, and link source modules in one step.
  - The optimizer modifies code to improve the efficiency of C/C++ programs.
  - The interlist utility interlists C/C++ source statements with assembly language output to correlate code produced by the compiler with your source code.
- The **assembler** translates assembly language source files into machine language object modules. Source files can contain instructions, assembler directives, and macro directives. You can use assembler directives to control the assembly process, including the source listing format, data alignment, and section content. See [Chapter 4](#) through [Chapter 6](#). See the *MSP430x1xx Family User's Guide*, the *MSP430x2xx Family User's Guide*, the *MSP430x3xx Family User's Guide*, the *MSP430x4xx Family User's Guide*, or the *MSP430x5xx Family User's Guide* for detailed information on the assembly language instruction set.
- The **linker** combines object files into a single executable object module. It performs symbolic relocation and resolves external references. The linker accepts relocatable object modules (created by the assembler) as input. It also accepts archiver library members and output modules created by a previous linker run. Link directives allow you to combine object file sections, bind sections or symbols to addresses or within memory ranges, and define global symbols. See [Chapter 8](#).
- The **archiver** allows you to collect a group of files into a single archive file, called a library. The most common use of the archiver is to collect a group of object files into an object library. The linker extracts object library members to resolve external references during the link. You can also use the archiver to collect several macros into a macro library. The assembler searches the library and uses the members that are called as macros by the source file. The archiver allows you to modify a library by deleting, replacing, extracting, or adding members. See [Section 7.1](#).
- The **library information archiver** allows you to create an index library of several object file library variants, which is useful when several variants of a library with different options are available. Rather than refer to a specific library, you can link against the index library, and the linker will choose the best match from the indexed libraries. See [Section 7.5](#) for more information about using the archiver to manage the content of a library.
- You can use the **library-build utility** to build your own customized run-time-support library. See the *MSP430 Optimizing C/C++ Compiler User's Guide* for more information.
- The **hex conversion utility** converts object files to TI-Tagged, ASCII-Hex, Intel, Motorola-S, or Tektronix object format. Converted files can be downloaded to an EPROM programmer. See [Chapter 12](#).
- The **absolute lister** uses linked object files to create .abs files. These files can be assembled to produce a listing of the absolute addresses of object code. See [Chapter 9](#).
- The **cross-reference lister** uses object files to produce a cross-reference listing showing symbols, their definition, and their references in the linked source files. See [Chapter 10](#).
- The main product of this development process is a executable object file that can be executed on a **MSP430** device.

In addition, the following utilities are provided to help examine or manage the content of a given object file:

- The **object file display utility** prints the contents of object files and object libraries in either human readable or XML formats. See [Section 11.1](#).
- The **disassembler** decodes the machine code from object modules to show the assembly instructions that it represents. See [Section 11.2](#).
- The **name utility** prints a list of symbol names for objects and functions defined or referenced in an object file or object archive. See [Section 11.3](#).
- The **strip utility** removes symbol table and debugging information from object files and object libraries. See [Section 11.4](#).

## Introduction to Object Modules

---

---

---

The assembler creates object modules from assembly code, and the linker creates executable object files from object modules. These executable object files can be executed by an MSP430 device.

Object modules make modular programming easier because they encourage you to think in terms of *blocks* of code and data when you write an assembly language program. These blocks are known as sections. Both the assembler and the linker provide directives that allow you to create and manipulate sections.

This chapter focuses on the concept and use of sections in assembly language programs.

Topic	Page
<b>2.1 Object File Format Specifications</b> .....	<b>17</b>
<b>2.2 Executable Object Files</b> .....	<b>17</b>
<b>2.3 Introduction to Sections</b> .....	<b>17</b>
<b>2.4 How the Assembler Handles Sections</b> .....	<b>18</b>
<b>2.5 How the Linker Handles Sections</b> .....	<b>24</b>
<b>2.6 Symbols</b> .....	<b>26</b>
<b>2.7 Symbolic Relocations</b> .....	<b>28</b>
<b>2.8 Loading a Program</b> .....	<b>29</b>



## 2.1 Object File Format Specifications

The object files created by the assembler and linker conform to the ELF (Executable and Linking Format) binary format, which is used by the Embedded Application Binary Interface (EABI). See the *MSP430 Optimizing C/C++ Compiler User's Guide (SLAU132)* and *The MSP430 Embedded Application Binary Interface Application Report (SLAA534)* for information on the EABI ABI.

COFF object files are not supported in v15.6.0.STS and later versions of the TI Code Generation Tools. If you would like to produce COFF output files, please use v4.4 of the MSP430 Code Generation Tools and refer to [SLAU131J](#) for documentation.

The ELF object files generated by the assembler and linker conform to the December 17, 2003 snapshot of the [System V generic ABI \(or gABI\)](#).

## 2.2 Executable Object Files

The linker produces executable object modules. An executable object module has the same format as object files that are used as linker input. The sections in an executable object module, however, have been combined and placed in target memory, and the relocations are all resolved.

To run a program, the data in the executable object module must be transferred, or loaded, into target system memory. See [Chapter 3](#) for details about loading and running programs.

## 2.3 Introduction to Sections

The smallest unit of an object file is a *section*. A section is a block of code or data that occupies contiguous space in the memory map. Each section of an object file is separate and distinct.

ELF format executable object files contain *segments*. An ELF segment is a meta-section. It represents a contiguous region of target memory. It is a collection of *sections* that have the same property, such as writable or readable. An ELF loader needs the segment information, but does not need the section information. The ELF standard allows the linker to omit ELF section information entirely from the executable object file.

Object files usually contain three default sections:

<b>.text section</b>	Contains executable code <sup>(1)</sup>
<b>.data section</b>	Usually contains initialized data
<b>.bss</b>	Usually reserves space for uninitialized variables

The assembler and linker allow you to create, name, and link other kinds of sections. The .text, .data, and .bss sections are archetypes for how sections are handled.

There are two basic types of sections:

<b>Initialized sections</b>	Contain data or code. The .text and .data sections are initialized; user-named sections created with the .sect and .intvec assembler directives are also initialized.
<b>Uninitialized sections</b>	Reserve space in the memory map for uninitialized data. The .bss section is uninitialized; user-named sections created with the .usect assembler directive are also uninitialized.

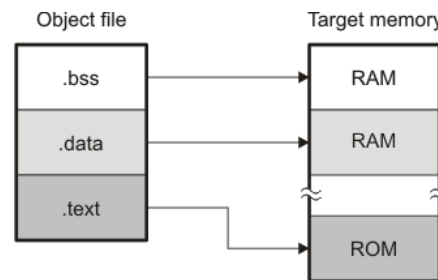
<sup>(1)</sup> Some targets allow content other than text, such as constants, in .text sections.

Several assembler directives allow you to associate various portions of code and data with the appropriate sections. The assembler builds these sections during the assembly process, creating an object file organized as shown in [Figure 2-1](#).

One of the linker's functions is to relocate sections into the target system's memory map; this function is called *placement*. Because most systems contain several types of memory, using sections can help you use target memory more efficiently. All sections are independently relocatable; you can place any section into any allocated block of target memory. For example, you can define a section that contains an initialization routine and then allocate the routine in a portion of the memory map that contains ROM. For information on section placement, see the "Specifying Where to Allocate Sections in Memory" section of the *MSP430 Optimizing C/C++ Compiler User's Guide*.

[Figure 2-1](#) shows the relationship between sections in an object file and a hypothetical target memory. ROM may be EEPROM, FLASH or some other type of physical memory in an actual system.

**Figure 2-1. Partitioning Memory Into Logical Blocks**



### 2.3.1 Special Section Names

You can use the `.sect` and `.usect` directives to create any section name you like, but certain sections are treated in a special manner by the linker and the compiler's run-time support library. If you create a section with the same name as a special section, you should take care to follow the rules for that special section.

A few common special sections are:

- `.text` -- Used for program code.
- `.data` -- Used for initialized non-const objects (global variables).
- `.bss` -- Used for uninitialized objects (global variables).
- `.const` -- Used for initialized const objects (string constants, variables declared `const`).
- `.cinit` -- Used to initialize C global variables at startup.
- `.stack` -- Used for the function call stack.
- `.systemem` - Used for the dynamic memory allocation pool.

For more information on sections, see the "Specifying Where to Allocate Sections in Memory" section of the *MSP430 Optimizing C/C++ Compiler User's Guide*.

## 2.4 How the Assembler Handles Sections

The assembler identifies the portions of an assembly language program that belong in a given section. The assembler has the following directives that support this function:

- `.bss`
- `.data`
- `.intvec`
- `.sect`
- `.text`
- `.usect`

The `.bss` and `.usect` directives create *uninitialized sections*; the `.text`, `.data`, and `.sect` directives create *initialized sections*.

You can create subsections of any section to give you tighter control of the memory map. Subsections are created using the `.sect` and `.usect` directives. Subsections are identified with the base section name and a subsection name separated by a colon; see [Section 2.4.6](#).

---

**NOTE:** If you do not use a section directive, the assembler assembles everything into the `.text` section.

---

### 2.4.1 Uninitialized Sections

Uninitialized sections reserve space in MSP430 memory; they are usually placed in RAM. These sections have no actual contents in the object file; they simply reserve memory. A program can use this space at run time for creating and storing variables.

Uninitialized data areas are built by using the following assembler directives.

- The `.bss` directive reserves space in the `.bss` section.
- The `.usect` directive reserves space in a specific uninitialized user-named section.

Each time you invoke the `.bss` or `.usect` directive, the assembler reserves additional space in the `.bss` or the user-named section. The syntax is:

	<b>.bss</b> <i>symbol</i> , <i>size in bytes</i> [, <i>alignment</i> ]
<i>symbol</i>	<b>.usect</b> "section name", <i>size in bytes</i> [, <i>alignment</i> ]

<i>symbol</i>	points to the first byte reserved by this invocation of the <code>.bss</code> or <code>.usect</code> directive. The <i>symbol</i> corresponds to the name of the variable for which you are reserving space. It can be referenced by any other section and can also be declared as a global symbol (with the <code>.global</code> directive).
<i>size in bytes</i>	is an absolute expression (see <a href="#">Section 4.9</a> ). <ul style="list-style-type: none"> <li>• The <code>.bss</code> directive reserves <i>size in bytes</i> bytes in the <code>.bss</code> section. You must specify a size; there is no default value.</li> <li>• The <code>.usect</code> directive reserves <i>size in bytes</i> bytes in <i>section name</i>. You must specify a size; there is no default value.</li> </ul>
<i>alignment</i>	is an optional parameter. It specifies the minimum alignment in bytes required by the space allocated. The default value is byte aligned; this option is represented by the value 1. The value must be a power of 2. The maximum alignment is 32K.
<i>section name</i>	specifies the user-named section in which to reserve space. See <a href="#">Section 2.4.3</a> .

Initialized section directives (`.text`, `.data`, `.intvec`, and `.sect`) change which section is considered the *current* section (see [Section 2.4.4](#)). However, the `.bss` and `.usect` directives *do not* change the current section; they simply escape from the current section temporarily. Immediately after a `.bss` or `.usect` directive, the assembler resumes assembling into whatever the current section was before the directive. The `.bss` and `.usect` directives can appear anywhere in an initialized section without affecting its contents. For an example, see [Section 2.4.7](#).

The `.usect` directive can also be used to create uninitialized subsections. See [Section 2.4.6](#) for more information on creating subsections.

The `.common` directive is similar to directives that create uninitialized data sections, except that common symbols are created by the linker instead.

## 2.4.2 Initialized Sections

Initialized sections contain executable code or initialized data. The contents of these sections are stored in the object file and placed in MSP430 memory when the program is loaded. Each initialized section is independently relocatable and may reference symbols that are defined in other sections. The linker automatically resolves these references. The following directives tell the assembler to place code or data into a section. The syntaxes for these directives are:

```
.text
.data
.sect "section name"
.intvec "section name", routine name
```

The `.sect` directive can also be used to create initialized subsections. See [Section 2.4.6](#), for more information on creating subsections.

## 2.4.3 User-Named Sections

User-named sections are sections that *you* create. You can use them like the default `.text`, `.data`, and `.bss` sections, but each section with a distinct name is kept distinct during assembly.

For example, repeated use of the `.text` directive builds up a single `.text` section in the object file. This `.text` section is allocated in memory as a single unit. Suppose there is a portion of executable code (perhaps an initialization routine) that you want the linker to place in a different location than the rest of `.text`. If you assemble this segment of code into a user-named section, it is assembled separately from `.text`, and you can use the linker to allocate it into memory separately. You can also assemble initialized data that is separate from the `.data` section, and you can reserve space for uninitialized variables that is separate from the `.bss` section.

These directives let you create user-named sections:

- The `.usect` directive creates uninitialized sections that are used like the `.bss` section. These sections reserve space in RAM for variables.
- The `.sect` directive creates initialized sections, like the default `.text` and `.data` sections, that can contain code or data. The `.sect` directive creates user-named sections with relocatable addresses.
- The `.intvec` directive creates an interrupt vector entry that points to an interrupt routine name

The syntaxes for these directives are:

```
symbol .usect "section name", size in bytes[, alignment ]
       .sect "section name"
       .intvec "section name", interrupt routine name
```

The maximum number of sections is  $2^{32}-1$  (4294967295).

The *section name* parameter is the name of the section. For the `.usect` and `.sect` directives, a section name can refer to a subsection; see [Section 2.4.6](#) for details.

Each time you invoke one of these directives with a new name, you create a new user-named section. Each time you invoke one of these directives with a name that was already used, the assembler resumes assembling code or data (or reserves space) into the section with that name. *You cannot use the same names with different directives.* That is, you cannot create a section with the `.usect` directive and then try to use the same section with `.sect` or `.intvec`.

## 2.4.4 Current Section

The assembler adds code or data to one section at a time. The section the assembler is currently filling is the *current section*. The `.text`, `.data`, `.intvec`, and `.sect` directives change which section is considered the current section. When the assembler encounters one of these directives, it stops assembling into the current section (acting as an implied end of current section command). The assembler sets the designated section as the current section and assembles subsequent code into the designated section until it encounters another `.text`, `.data`, `.intvec`, or `.sect` directive.

If one of these directives sets the current section to a section that already has code or data in it from earlier in the file, the assembler resumes adding to the end of that section. The assembler generates only one contiguous section for each given section name. This section is formed by concatenating all of the code or data which was placed in that section.

### Example 2-1. File `y.asm`

```

nop      ; the assembler always starts with .text as the current section

.data
.word 1

.text
add R5,R5

.data
.word 2
  
```

### Example 2-2. Disassembly of `y.obj`

#### TEXT Section `.text`, 0x4 bytes at 0x0

```

000000: 0343          NOP
000002: 0555          RLA.W   R5
  
```

#### DATA Section `.data`, 0x4 bytes at 0x0

```

000000: 0001          .word 0x0001
000002: 0002          .word 0x0002
  
```

## 2.4.5 Section Program Counters

The assembler maintains a separate program counter for each section. These program counters are known as *section program counters*, or *SPCs*.

An SPC represents the current address within a section of code or data. Initially, the assembler sets each SPC to 0. As the assembler fills a section with code or data, it increments the appropriate SPC. If you resume assembling into a section, the assembler remembers the appropriate SPC's previous value and continues incrementing the SPC from that value.

The assembler treats each section as if it began at address 0; the linker relocates the symbols in each section according to the final address of the section in which that symbol is defined. See [Section 2.7](#) for information on relocation.

## 2.4.6 Subsections

A subsection is created by creating a section with a colon in its name. Subsections are logical subdivisions of larger sections. Subsections are themselves sections and can be manipulated by the assembler and linker.

The assembler has no concept of subsections; to the assembler, the colon in the name is not special. The subsection `.text:rts` would be considered completely unrelated to its parent section `.text`, and the assembler will not combine subsections with their parent sections.

Subsections are used to keep parts of a section as distinct sections so that they can be separately manipulated. For instance, by placing each function and object in a uniquely-named subsection, the linker gets a finer-grained view of the section for memory placement and unused-function elimination.

By default, when the linker sees a SECTION directive in the linker command file like `.text`, it will gather `.text` and all subsections of `.text` into one large output section named `.text`. You can instead use the SECTION directive to control the subsection independently. See [Section 8.5.5.1](#) for an example.

You can create subsections in the same way you create other user-named sections: by using the `.sect` or `.usect` directive.

The syntaxes for a subsection name are:

```
symbol    .usect "section_name:subsection_name",size in bytes[, alignment]
          .sect "section_name:subsection_name"
```

A subsection is identified by the base section name followed by a colon and the name of the subsection. The subsection name may not contain any spaces.

A subsection can be allocated separately or grouped with other sections using the same base name. For example, you create a subsection called `_func` within the `.text` section:

```
.sect ".text:_func"
```

Using the linker's SECTIONS directive, you can allocate `.text:_func` separately, or with all the `.text` sections.

You can create two types of subsections:

- Initialized subsections are created using the `.sect` directive. See [Section 2.4.2](#).
- Uninitialized subsections are created using the `.usect` directive. See [Section 2.4.1](#).

Subsections are placed in the same manner as sections. See [Section 8.5.5](#) for information on the SECTIONS directive.

## 2.4.7 Using Sections Directives

[Figure 2-2](#) shows how you can build sections incrementally, using the sections directives to swap back and forth between the different sections. You can use sections directives to begin assembling into a section for the first time, or to continue assembling into a section that already contains code. In the latter case, the assembler simply appends the new code to the code that is already in the section.

The format in [Figure 2-2](#) is a listing file. [Figure 2-2](#) shows how the SPCs are modified during assembly. A line in a listing file has four fields:

<b>Field 1</b>	contains the source code line counter.
<b>Field 2</b>	contains the section program counter.
<b>Field 3</b>	contains the object code.
<b>Field 4</b>	contains the original source statement.

See [Section 4.11](#) for more information on interpreting the fields in a source listing.



The second column shows the object code that is assembled into these sections; the first column shows the source statements that generated the object code.

**Figure 2-3. Object Code Generated by the File in Figure 2-2**

Line numbers	Object code	Section
19	403A	.text
19	1234	
20	521A	
20	0001!	
35	403C	
35	3456	
36	421D	
36	0000!	
37	1290	
37	FFEE!	
6	0011	.data
6	0022	
6	0033	
14	0123	
25	00AA	
25	00BB	
25	00CC	
10	No data - ten bytes reserved	.bss
29	No data - eight bytes reserved	newvars
30	No data - eight bytes reserved	

## 2.5 How the Linker Handles Sections

The linker has two main functions related to sections. First, the linker uses the sections in object files as building blocks; it combines input sections to create output sections in an executable output module. Second, the linker chooses memory addresses for the output sections; this is called *placement*. Two linker directives support these functions:

- The *MEMORY* directive allows you to define the memory map of a target system. You can name portions of memory and specify their starting addresses and their lengths.
- The *SECTIONS* directive tells the linker how to combine input sections into output sections and where to place these output sections in memory.

Subsections let you manipulate the placement of sections with greater precision. You can specify the location of each subsection with the linker's *SECTIONS* directive. If you do not specify a subsection, the subsection is combined with the other sections with the same base section name. See [Section 8.5.5.1](#).

It is not always necessary to use linker directives. If you do not use them, the linker uses the target processor's default placement algorithm described in [Section 8.7](#). When you *do* use linker directives, you must specify them in a linker command file.

Refer to the following sections for more information about linker command files and linker directives:

- [Section 8.5, Linker Command Files](#)
- [Section 8.5.4, The MEMORY Directive](#)
- [Section 8.5.5, The SECTIONS Directive](#)
- [Section 8.7, Default Placement Algorithm](#)

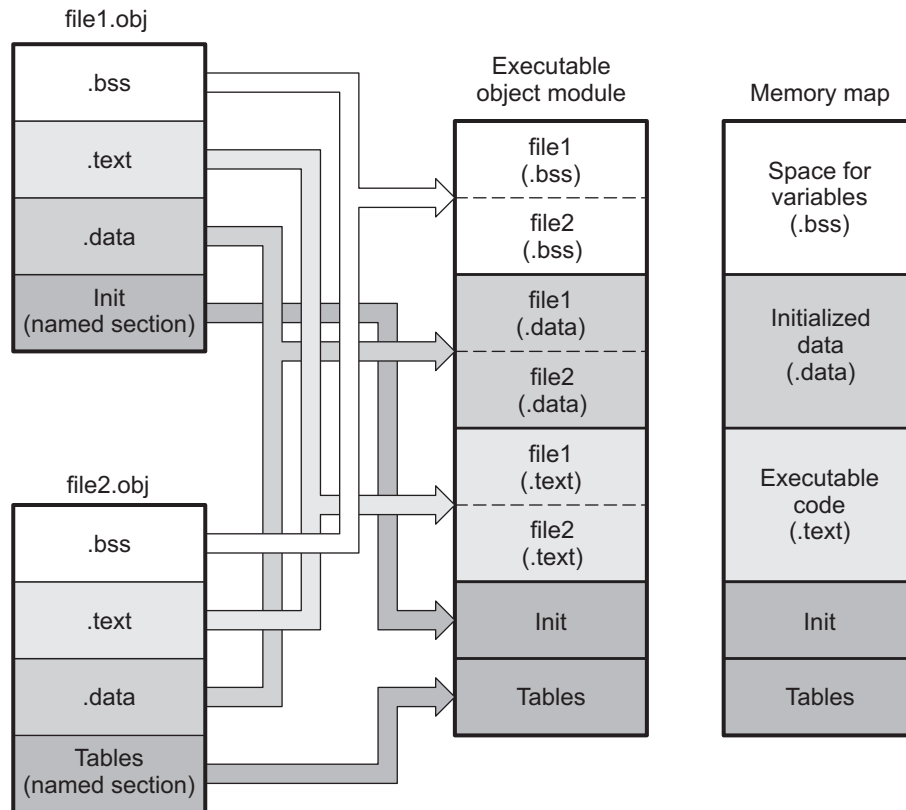


### 2.5.1 Combining Input Sections

Figure 2-4 provides a simplified example of the process of linking two files together.

Note that this is a simplified example, so it does not show all the sections that will be created or the actual sequence of the sections. See Section 8.7 for the actual default memory placement map for MSP430.

**Figure 2-4. Combining Input Sections to Form an Executable Object Module**



In Figure 2-4, file1.obj and file2.obj have been assembled to be used as linker input. Each contains the .text, .data, and .bss default sections; in addition, each contains a user-named section. The executable object module shows the combined sections. The linker combines the .text section from file1.obj and the .text section from file2.obj to form one .text section, then combines the two .data sections and the two .bss sections, and finally places the user-named sections at the end. The memory map shows the combined sections to be placed into memory.

### 2.5.2 Placing Sections

Figure 2-4 illustrates the linker's default method for combining sections. Sometimes you may not want to use the default setup. For example, you may not want all of the .text sections to be combined into a single .text section. Or you may want a user-named section placed where the .data section would normally be allocated. Most memory maps contain various types of memory (RAM, ROM, EEPROM, FLASH, etc.) in varying amounts; you may want to place a section in a specific type of memory.

For further explanation of section placement within the memory map, see the discussions in Section 8.5.4 and Section 8.5.5. See Section 8.7 for the actual default memory allocation map for MSP430.

## 2.6 Symbols

An object file contains a symbol table that stores information about *symbols* in the object file. The linker uses this table when it performs relocation. See [Section 2.7](#).

An object file symbol is a named 32-bit integer value, usually representing an address. A symbol can represent such things as the starting address of a function, variable, section, or an absolute integer (such as the size of the stack).

Symbols are defined in assembly by adding a label or a directive such as `.set`, `.equ`, `.bss`, or `.usect`.

Symbols have a *binding*, which is similar to the C standard concept of *linkage*. ELF files may contain symbols bound as *local symbols*, *global symbols*, and *weak symbols*.

- **Global symbols** are visible to the entire program. The linker does not allow more than one global definition of a particular symbol; it issues a multiple-definition error if a global symbol is defined more than once. (The assembler can provide a similar multiple-definition error for local symbols.) A reference to a global symbol from any object file refers to the one and only allowed global definition of that symbol. Assembly code must explicitly make a symbol global by adding a `.def`, `.ref`, or `.global` directive. (See [Section 2.6.1](#).)
- **Local symbols** are visible only within one object file; each object file that uses a symbol needs its own local definition. References to local symbols in an object file are entirely unrelated to local symbols of the same name in another object file. By default, a symbol is local. (See [Section 2.6.2](#).)
- **Weak symbols** are symbols that may be used but not defined in the current module. They may or may not be defined in another module. A weak symbol is intended to be overridden by a strong (non-weak) global symbol definition of the same name in another object file. If a strong definition is available, the weak symbol is replaced by the strong symbol. If no definition is available (that is, if the weak symbol is unresolved), no error is generated, but the weak variable's address is considered to be null (0). For this reason, application code that accesses a weak variable *must check that its address is not zero before attempting to access the variable*. (See [Section 2.6.3](#).)

*Absolute symbols* are symbols that have a numeric value. They may be constants. To the linker, such symbols are unsigned values, but the integer may be treated as signed or unsigned depending on how it is used. The range of legal values for an absolute integer is 0 to  $2^{32}-1$  for unsigned treatment and  $-2^{31}$  to  $2^{31}-1$  for signed treatment.

In general, *common symbols* (see [.common directive](#)) are preferred over weak symbols.

See [Section 4.8](#) for information about *assembler symbols*.

### 2.6.1 Global (External) Symbols

Global symbols are symbols that are either accessed in the current module but defined in another (an external symbol) or defined in the current module and accessed in another. Such symbols are visible across object modules. You must use the `.def`, `.ref`, or `.global` directive to identify a symbol as external:

<b>.def</b>	The symbol is defined in the current file and may be used in another file.
<b>.ref</b>	The symbol is referenced in the current file, but defined in another file.
<b>.global</b>	The symbol can be either of the above. The assembler chooses either <code>.def</code> or <code>.ref</code> as appropriate for each symbol.

The following code fragments illustrate the use of the `.global` directive.

```
x: ADD.W #56, R11 ; Define x
    .global x ; acts as .def x
```

Because `x` is defined in this module, the assembler treats `".global x"` as `".def x"`. Now other modules can refer to `x`.

```
JMP y ; Reference y
    .global y ; .ref of y
```

Because `y` is not defined in this module, the assembler treats `".global y"` as `".ref y"`. The symbol `y` must be defined in another module.

Both the symbols `x` and `y` are external symbols and are placed in the object file's symbol table; `x` as a defined symbol, and `y` as an undefined symbol. When the object file is linked with other object files, the entry for `x` will be used to resolve references to `x` in other files. The entry for `y` causes the linker to look through the symbol tables of other files for `y`'s definition.

The linker attempts to match all references with corresponding definitions. If the linker cannot find a symbol's definition, it prints an error message about the unresolved reference. This type of error prevents the linker from creating an executable object module.

An error also occurs if the same symbol is defined more than once.

## 2.6.2 Local Symbols

Local symbols are visible within a single object file. Each object file may have its own local definition for a particular symbol. References to local symbols in an object file are entirely unrelated to local symbols of the same name in another object file.

By default, a symbol is local.

## 2.6.3 Weak Symbols

Weak symbols are symbols that may or may not be defined.

The linker processes symbols that are defined with a "weak" binding differently from symbols that are defined with global binding. Instead of including a weak symbol in the object file's symbol table (as it would for a global symbol), the linker only includes a weak symbol in the output of a "final" link if the symbol is required to resolve an otherwise unresolved reference.

This allows the linker to minimize the number of symbols it includes in the output file's symbol table by omitting those that are not needed to resolve references. Reducing the size of the output file's symbol table reduces the time required to link, especially if there are a large number of pre-loaded symbols to link against. This feature is particularly helpful for OpenCL applications.

You can define a weak symbol using either the `.weak` assembly directive or the weak operator in the linker command file.

- **Using Assembly:** To define a weak symbol in an input object file, the source file can be written in assembly. Use the `.weak` and `.set` directives in combination as shown in the following example, which defines a weak symbol "ext\_addr\_sym":

```

                .weak   ext_addr_sym
ext_addr_sym   .set    0x12345678

```

Assemble the source file that defines weak symbols, and include the resulting object file in the link. The "ext\_addr\_sym" in this example is available as a weak symbol in a final link. It is a candidate for removal if the symbol is not referenced elsewhere in the application. See [.weak directive](#).

- **Using the Linker Command File:** To define a weak symbol in a linker command file, use the "weak" operator in an assignment expression to designate that the symbol as eligible for removal from the output file's symbol table if it is not referenced. In a linker command file, an assignment expression outside a MEMORY or SECTIONS directive can be used to define a weak linker-defined symbol. For example, you can define "ext\_addr\_sym" as follows:

```
weak(ext_addr_sym) = 0x12345678;
```

If the linker command file is used to perform the final link, then "ext\_addr\_sym" is presented to the linker as a weak symbol; it will not be included in the resulting output file if the symbol is not referenced. See [Section 8.6.2](#).

- **Using C/C++ code:** See information about the WEAK pragma and weak GCC-style variable attribute in the *MSP430 Optimizing C/C++ Compiler User's Guide*.

If there are multiple definitions of the same symbol, the linker uses certain rules to determine which definition takes precedence. Some definitions may have weak binding and others may have strong binding. "Strong" in this context means that the symbol has *not* been given a weak binding by either of the two methods described above. Some definitions may come from an input object file (that is, using assembly directives) and others may come from an assignment statement in a linker command file.

The linker uses the following guidelines to determine which definition is used when resolving references to a symbol:

- A strongly bound symbol always takes precedence over a weakly bound symbol.
- If two symbols are both strongly bound or both weakly bound, a symbol defined in a linker command file takes precedence over a symbol defined in an input object file.
- If two symbols are both strongly bound and both are defined in an input object file, the linker provides a symbol redefinition error and halts the link process.

### 2.6.4 The Symbol Table

The assembler generates entries with global (external) binding in the symbol table for each of the following:

- Each `.ref`, `.def`, or `.global` directive (see [Section 2.6.1](#))
- The beginning of each section

The assembler generates entries with local binding for each locally-available function.

For informational purposes, there are also entries in the symbol table for each symbol in a program.

## 2.7 Symbolic Relocations

The assembler treats each section as if it began at address 0. Of course, all sections cannot actually begin at address 0 in memory, so the linker must relocate sections. Relocations are symbol-relative rather than section-relative.

The linker can *relocate* sections by:

- Allocating them into the memory map so that they begin at the appropriate address as defined with the linker's `MEMORY` directive
- Adjusting symbol values to correspond to the new section addresses
- Adjusting references to relocated symbols to reflect the adjusted symbol values

The linker uses *relocation entries* to adjust references to symbol values. The assembler creates a relocation entry each time a relocatable symbol is referenced. The linker then uses these entries to patch the references after the symbols are relocated. [Example 2-3](#) contains a code fragment for a MSP430 device for which the assembler generates relocation entries.

### Example 2-3. Code That Generates Relocation Entries

```

1          ** Generating Relocation Entries **
2
3          .ref X
4          .def Y
5
6 000000          .text
7 000000 5A0B          ADD.W   R10, R11
8 000002 4B82          MOV.W   R11, &X
9 000004 0000!
9 000006 4030          BR      #Y
9 000008 000A!
10
11 00000a 5B0C Y          ADD.W   R11, R12
  
```

In [Example 2-3](#), both symbols X and Y are relocatable. Y is defined in the .text section of this module; X is defined in another module. When the code is assembled, X has a value of 0 (the assembler assumes all undefined external symbols have values of 0), and Y has a value of 8. The assembler generates two relocation entries: one for X and one for Y. The reference to X is an external reference and the reference to Y is to an internally defined relocatable symbol (both are indicated by the ! character in the listing).

After the code is linked, suppose that X is relocated to address 0x0800. Suppose also that the .text section is relocated to begin at address 0x0600; Y now has a relocated value of 0x0608. The linker uses the relocation entry for the reference to X to patch the branch instruction in the object code:

```
4B820000!          becomes          4B820800
```

### 2.7.1 Relocation Entries

EABI uses ELF, in which the relocations are symbol-relative rather than section-relative. This means that the relocation in [Example 2-3](#) generated for 'Y' would refer to the symbol 'Y' and resolve the value for 'Y' in the opcode based on where the definition of 'Y' ends up.

## 2.8 Loading a Program

The linker creates an executable object file which can be loaded in several ways, depending on your execution environment. These methods include using Code Composer Studio or the hex conversion utility. For details, see [Section 3.1](#).

## Program Loading and Running

---



---

Even after a program is written, compiled, and linked into an executable object file, there are still many tasks that need to be performed before the program does its job. The program must be loaded onto the target, memory and registers must be initialized, and the program must be set to running.

Some of these tasks need to be built into the program itself. *Bootstrapping* is the process of a program performing some of its own initialization. Many of the necessary tasks are handled for you by the compiler and linker, but if you need more control over these tasks, it helps to understand how the pieces are expected to fit together.

This chapter will introduce you to the concepts involved in program loading, initialization, and startup.

This chapter does not cover *dynamic loading*.

This chapter currently provides examples for the C6000 device family. Refer to your device documentation for various device-specific aspects of bootstrapping.

Topic	Page
<b>3.1 Loading</b> .....	<b>31</b>
<b>3.2 Entry Point</b> .....	<b>36</b>
<b>3.3 Run-Time Initialization</b> .....	<b>36</b>
<b>3.4 Arguments to main</b> .....	<b>39</b>
<b>3.5 Run-Time Relocation</b> .....	<b>39</b>
<b>3.6 Additional Information</b> .....	<b>39</b>

### 3.1 Loading

A program needs to be placed into the target device's memory before it may be executed. *Loading* is the process of preparing a program for execution by initializing device memory with the program's code and data. A *loader* might be another program on the device, an external agent (for example, a debugger), or the device might initialize itself after power-on, which is known as *bootstrap loading*, or *bootloading*.

The loader is responsible for constructing the *load image* in memory before the program starts. The load image is the program's code and data in memory before execution. What exactly constitutes loading depends on the environment, such as whether an operating system is present. This section describes several loading schemes for bare-metal devices. This section is not exhaustive.

A program may be loaded in the following ways:

- **A debugger running on a connected host workstation.** In a typical embedded development setup, the device is subordinate to a host running a debugger such as Code Composer Studio (CCS). The device is connected with a communication channel such as a JTAG interface. CCS reads the program and writes the load image directly to target memory through the communications interface.
- **"Burning" the load image onto an EPROM module.** The hex converter (hex430) can assist with this by converting the executable object file into a format suitable for input to an EPROM programmer. The EPROM is placed onto the device itself and becomes a part of the device's memory. See [Chapter 12](#) for details.
- **Bootstrap loading from a dedicated peripheral, such as an I<sup>2</sup>C peripheral.** The device may require a small program called a bootloader to perform the loading from the peripheral. The hex converter can assist in creating a bootloader.
- **Another program running on the device.** The running program can create the load image and transfer control to the loaded program. If an operating system is present, it may have the ability to load and run programs.

#### 3.1.1 Load and Run Addresses

Consider an embedded device for which the program's load image is burned onto EPROM/ROM. Variable data in the program must be writable, and so must be located in writable memory, typically RAM. However, RAM is *volatile*, meaning it will lose its contents when the power goes out. If this data must have an initial value, that initial value must be stored somewhere else in the load image, or it would be lost when power is cycled. The initial value must be copied from the non-volatile ROM to its run-time location in RAM before it is used. See [Section 8.8](#) for ways this is done.

The *load address* is the location of an object in the load image.

The *run address* is the location of the object as it exists during program execution.

An *object* is a chunk of memory. It represents a section, segment, function, or data.

*The load and run addresses for an object may be the same.* This is commonly the case for program code and read-only data, such as the `.const` section. In this case, the program can read the data directly from the load address. Sections that have no initial value, such as the `.bss` section, do not have load data and are considered to have load and run addresses that are the same. If you specify different load and run addresses for an uninitialized section, the linker provides a warning and ignores the load address.

*The load and run addresses for an object may be different.* This is commonly the case for writable data, such as the `.data` section. The `.data` section's starting contents are placed in ROM and copied to RAM. This often occurs during program startup, but depending on the needs of the object, it may be deferred to sometime later in the program as described in [Section 3.5](#).

Symbols in assembly code and object files almost always refer to the run address. When you look at an address in the program, you are almost always looking at the run address. The load address is rarely used for anything but initialization.

The load and run addresses for a section are controlled by the linker command file and are recorded in the object file metadata.

The load address determines where a loader places the raw data for the section. Any references to the section (such as references to labels in it) refer to its run address. The application must copy the section from its load address to its run address before the first reference of the symbol is encountered at run time; this does *not* happen automatically simply because you specify a separate run address. For examples that specify load and run addresses, see [Section 8.5.6.1](#).

For an example that illustrates how to move a block of code at run time, see [Example 8-10](#). To create a symbol that lets you refer to the load-time address, rather than the run-time address, see the [.label directive](#). To use copy tables to copy objects from load-space to run-space at boot time, see [Section 8.8](#).

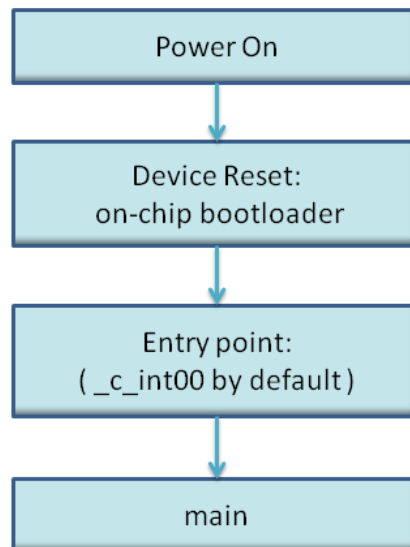
ELF format executable object files contain *segments*. See [Section 2.3](#) for information about sections and segments.

### 3.1.2 Bootstrap Loading

The details of bootstrap loading (bootloading) vary a great deal between devices. Not every device supports every bootloading mode, and using the bootloader is optional. This section discusses various bootloading schemes to help you understand how they work. Refer to your device's data sheet to see which bootloading schemes are available and how to use them.

A typical embedded system uses bootloading to initialize the device. The program code and data may be stored in ROM or FLASH memory. At power-on, an on-chip bootloader (the *primary bootloader*) built into the device hardware starts automatically.

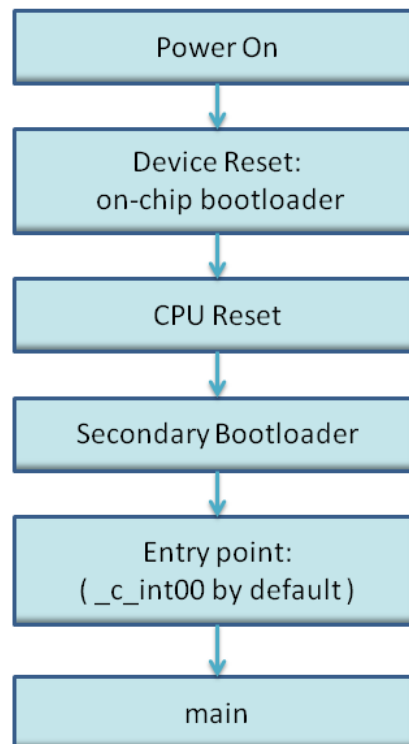
**Figure 3-1. Bootloading Sequence (Simplified)**



The primary bootloader is typically very small and copies a limited amount of memory from a dedicated location in ROM to a dedicated location in RAM. (Some bootloaders support copying the program from an I/O peripheral.) After the copy is completed, it transfers control to the program.

For many programs, the primary bootloader is not capable of loading the entire program, so these programs supply a more capable secondary bootloader. The primary bootloader loads the secondary bootloader and transfers control to it. Then, the secondary bootloader loads the rest of the program and transfers control to it. There can be any number of layers of bootloaders, each loading a more capable bootloader to which it transfers control.



**Figure 3-2. Bootloading Sequence with Secondary Bootloader**


### 3.1.2.1 Boot, Load, and Run Addresses

The *boot address* of a bootloaded object is where its raw data exists in ROM before power-on.

The boot, load, and run addresses for an object may all be the same; this is commonly the case for `.const` data. If they are different, the object's contents must be copied to the correct location before the object may be used.

The boot address may be different than the load address. The bootloader is responsible for copying the raw data to the load address.

The boot address is not controlled by the linker command file or recorded in the object file; it is strictly a convention shared by the bootloader and the program.

### 3.1.2.2 Primary Bootloader

The detailed operation of the primary bootloader is device-specific. Some devices have complex capabilities such as booting from an I/O peripheral or configuring memory controller parameters.

### 3.1.2.3 Secondary Bootloader

The hex converter assumes the secondary bootloader is of a particular format. The hex converter's model bootloader uses a *boot table*. You can use whatever format you want, but if you follow this model, the hex converter can create the boot table automatically.

### 3.1.2.4 Boot Table

The input for the model secondary bootloader is the *boot table*. The boot table contains records that instruct the secondary bootloader to copy blocks of data contained in the table to specified destination addresses. The hex conversion utility automatically builds the boot table for the secondary bootloader. Using the utility, you specify the sections you want to initialize, the boot table location, and the name of the section containing the secondary bootloader routine and where it should be located. The hex conversion utility builds a complete image of the table and adds it to the program.

The boot table is target-specific. For C6000, the format of the boot table is simple. A header record contains a 4-byte field that indicates where the boot loader should branch after it has completed copying data. After the header, each section that is to be included in the boot table has the following contents:

- 4-byte field containing the size of the section
- 4-byte field containing the destination address for the copy
- the raw data
- 0 to 3 bytes of trailing padding to make the next field aligned to 4 bytes

More than one section can be entered; a termination block containing an all-zero 4-byte field follows the last section.

### 3.1.2.5 Bootloader Routine

The bootloader routine is a normal function, except that it executes before the C environment is set up. For this reason, it can't use the C stack, and it can't call any functions that have yet to be loaded!

The following sample code is for C6000 and is from *Creating a Second-Level Bootloader for FLASH Bootloading on TMS320C6000 Platform With Code Composer Studio (SPRA999)*.

#### Example 3-1. Sample Secondary Bootloader Routine

```

; ===== boot_c671x.s62 =====
; global EMIF symbols defined for the c671x family
        .include      boot_c671x.h62
        .sect ".boot_load"
        .global _boot

_boot:
;*****
;* DEBUG LOOP - COMMENT OUT B FOR NORMAL OPERATION
;*****
zero B1
_myloop: ;  [!B1] B _myloop
        nop 5
_myloopend: nop
;*****
;* CONFIGURE EMIF
;*****
        ;*****
        ; *EMIF_GCTL = EMIF_GCTL_V;
        ;*****
        mvkl  EMIF_GCTL, A4
    || mvkl  EMIF_GCTL_V, B4
        mvkh  EMIF_GCTL, A4
    || mvkh  EMIF_GCTL_V, B4
        stw  B4, *A4
;*****
        ; *EMIF_CE0 = EMIF_CE0_V
        ;*****
        mvkl  EMIF_CE0, A4
    || mvkl  EMIF_CE0_V, B4
        mvkh  EMIF_CE0, A4
    || mvkh  EMIF_CE0_V, B4
        stw  B4, *A4
    
```

**Example 3-1. Sample Secondary Bootloader Routine (continued)**

```

;*****
; *EMIF_CE1 = EMIF_CE1_V (setup for 8-bit async)
;*****
    mvkl    EMIF_CE1,A4
||    mvkl    EMIF_CE1_V,B4
    mvkh    EMIF_CE1,A4
||    mvkh    EMIF_CE1_V,B4
    stw     B4,*A4
;*****
; *EMIF_CE2 = EMIF_CE2_V (setup for 32-bit async)
;*****
    mvkl    EMIF_CE2,A4
||    mvkl    EMIF_CE2_V,B4
    mvkh    EMIF_CE2,A4
||    mvkh    EMIF_CE2_V,B4
    stw     B4,*A4
;*****
; *EMIF_CE3 = EMIF_CE3_V (setup for 32-bit async)
;*****
||    mvkl    EMIF_CE3,A4
||    mvkl    EMIF_CE3_V,B4      ;
    mvkh    EMIF_CE3,A4
||    mvkh    EMIF_CE3_V,B4
    stw     B4,*A4
;*****
; *EMIF_SDRAMCTL = EMIF_SDRAMCTL_V
;*****
||    mvkl    EMIF_SDRAMCTL,A4
||    mvkl    EMIF_SDRAMCTL_V,B4      ;
    mvkh    EMIF_SDRAMCTL,A4
||    mvkh    EMIF_SDRAMCTL_V,B4
    stw     B4,*A4
;*****
; *EMIF_SDRAMTIM = EMIF_SDRAMTIM_V
;*****
||    mvkl    EMIF_SDRAMTIM,A4
||    mvkl    EMIF_SDRAMTIM_V,B4      ;
    mvkh    EMIF_SDRAMTIM,A4
||    mvkh    EMIF_SDRAMTIM_V,B4
    stw     B4,*A4
;*****
; *EMIF_SDRAMEXT = EMIF_SDRAMEXT_V
;*****
||    mvkl    EMIF_SDRAMEXT,A4
||    mvkl    EMIF_SDRAMEXT_V,B4      ;
    mvkh    EMIF_SDRAMEXT,A4
||    mvkh    EMIF_SDRAMEXT_V,B4
    stw     B4,*A4
;*****
; copy sections
;*****
    mvkl    COPY_TABLE, a3 ; load table pointer
    mvkh    COPY_TABLE, a3
    ldw     *a3++, b1      ; Load entry point
copy_section_top:
    ldw     *a3++, b0      ; byte count
    ldw     *a3++, a4      ; ram start address
    nop     3
[!b0]     b    copy_done      ; have we copied all sections?
    nop     5
copy_loop:
    ldb     *a3++,b5
    sub     b0,1,b0        ; decrement counter
[ b0]     b    copy_loop     ; setup branch if not done

```

**Example 3-1. Sample Secondary Bootloader Routine (continued)**

```

[!b0]    b    copy_section_top
        zero a1
[!b0]    and   3,a3,a1
        stb   b5,*a4++
[!b0]    and   -4,a3,a5      ; round address up to next multiple of 4
[ a1]    add   4,a5,a3      ; round address up to next multiple of 4
;*****
; jump to entry point
;*****
copy_done:
        b    .S2 b1
        nop  5
  
```

## 3.2 Entry Point

The entry point is the address at which the execution of the program begins. This is the address of the startup routine. The startup routine is responsible for initializing and calling the rest of the program. For a C/C++ program, the startup routine is usually named `_c_int00` (see [Section 3.3.1](#)). After the program is loaded, the value of the entry point is placed in the PC register and the CPU is allowed to run.

The object file has an entry point field. For a C/C++ program, the linker will fill in `_c_int00` by default. You can select a custom entry point; see [Section 8.4.11](#). The device itself cannot read the entry point field from the object file, so it has to be encoded in the program somewhere.

- If you are using a bootloader, the boot table includes an entry point field. When it finishes running, the bootloader branches to the entry point.
- If you are using an interrupt vector, the entry point is installed as the RESET interrupt handler. When RESET is applied, the startup routine will be invoked.
- If you are using a hosted debugger, such as CCS, the debugger may explicitly set the program counter (PC) to the value of the entry point.

## 3.3 Run-Time Initialization

After the load image is in place, the program can run. The subsections that follow describe bootstrap initialization of a C/C++ program. An assembly-only program may not need to perform all of these steps.

### 3.3.1 The `_c_int00` Function

The function `_c_int00` is the *startup routine* (also called the *boot routine*) for C/C++ programs. It performs all the steps necessary for a C/C++ program to initialize itself.

The name `_c_int00` means that it is the interrupt handler for interrupt number 0, RESET, and that it sets up the C environment. Its name need not be exactly `_c_int00`, but the linker sets `_c_int00` as the entry point for C programs by default. The compiler's run-time-support library provides a default implementation of `_c_int00`.

The startup routine is responsible for performing the following actions:

1. Set up the stack
2. Process the `.cinit` run-time initialization table to autoinitialize global variables (when using the `--rom_model` option)
3. Call all global constructors (in `.init_array`) for C++
4. Call the function `main`
5. Call `exit` when `main` returns

### 3.3.2 RAM Model vs. ROM Model

Choose a startup model based on the needs of your application. The ROM model performs more work during the boot routine. The RAM model performs more work while loading the application.

If your application is likely to need frequent RESETs or is a standalone application, the ROM model may be a better choice, because the boot routine will have all the data it needs to initialize RAM variables. However, for a system with an operating system, it may be better to use the RAM model.

In the EABI ROM model, the C boot routine copies data from the .cinit section to the run-time location of the variables to be initialized.

In the EABI RAM model, no .cinit records are generated at startup.

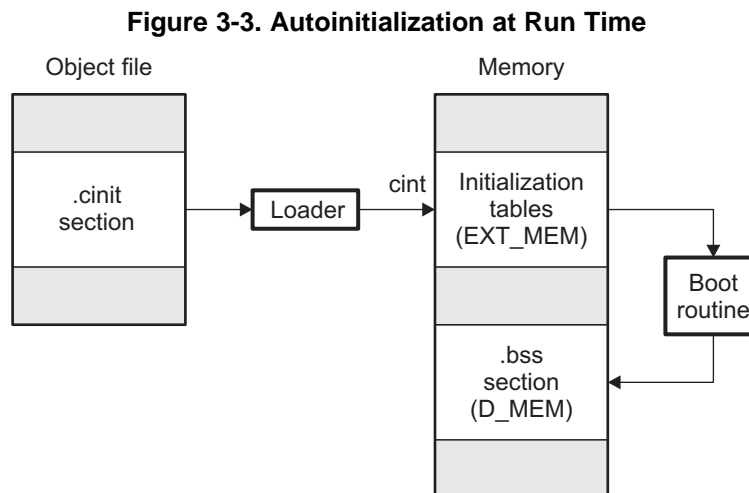
#### 3.3.2.1 Autoinitializing Variables at Run Time (--rom\_model)

Autoinitializing variables at run time is the default method of autoinitialization. To use this method, invoke the linker with the --rom\_model option.

The ROM model allows initialization data to be stored in slow non-volatile memory and copied to fast memory each time the program is reset. Use this method if your application runs from code burned into slow memory or needs to survive a reset.

For the ROM model, the .cinit section is loaded into memory along with all the other initialized sections. The linker defines a special symbol called \_\_TI\_CINIT\_Base that points to the beginning of the initialization tables in memory. When the program begins running, the C boot routine copies data from the tables (pointed to by .cinit) into the run-time location of the variables.

Figure 3-3 illustrates autoinitialization at run time using the ROM model.



#### 3.3.2.2 Initializing Variables at Load Time (--ram\_model)

The RAM model initializes variables at load time. To use this method, invoke the linker with the --ram\_model option.

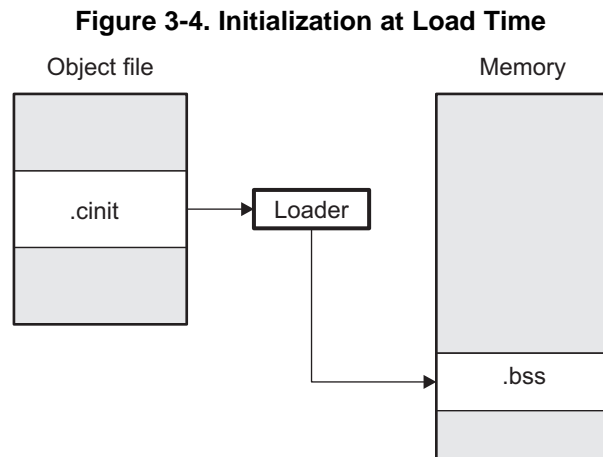
This model may reduce boot time and save memory used by the initialization tables.

When you use the --ram\_model linker option, the linker sets the STYP\_COPY bit in the .cinit section's header. This tells the loader not to load the .cinit section into memory. (The .cinit section occupies no space in the memory map.)

The linker sets \_\_TI\_CINIT\_Base equal to \_\_TI\_CINIT\_Limit to indicate there are no .cinit records.

The loader copies values directly from the .data section to memory.

Figure 3-4 illustrates the initialization of variables at load time.



### 3.3.2.3 The --rom\_model and --ram\_model Linker Options

The following list outlines what happens when you invoke the linker with the --ram\_model or --rom\_model option.

- The symbol `_c_int00` is defined as the program entry point. The `_c_int00` symbol is the start of the C boot routine in `boot.c.obj`. Referencing `_c_int00` ensures that `boot.c.obj` is automatically linked in from the appropriate run-time-support library.
- When you use the ROM model to autoinitialize at run time (--rom\_model option):
  - The linker defines a special symbol called `__TI_CINIT_Base` that points to the beginning of the initialization tables in memory. When the program begins running, the C boot routine copies data from the tables (pointed to by `.cinit`) into the run-time location of the variables.
- When you use the RAM model to initialize at load time (--ram\_model option):
  - The linker sets `__TI_CINIT_Base` equal to `__TI_CINIT_Limit` to indicate there are no `.cinit` records.

### 3.3.3 About Linker-Generated Copy Tables

The RTS function `copy_in` can be used at run-time to move code and data around, usually from its load address to its run address. This function reads size and location information from copy tables. The linker automatically generates several kinds of copy tables. Refer to [Section 8.8](#).

You can create and control code overlays with copy tables. See [Section 8.8.4](#) for details and examples.

Copy tables can be used by the linker to implement run-time relocations as described in [Section 3.5](#), however copy tables require a specific table format.

#### 3.3.3.1 BINIT

The BINIT (boot-time initialization) copy table is special in that the target will automatically perform the copying at auto-initialization time. Refer to [Section 8.8.4.2](#) for more about the BINIT copy table name. The BINIT copy table is copied before `.cinit` processing.

#### 3.3.3.2 CINIT

EABI `.cinit` tables are special kinds of copy tables. Refer to [Section 3.3.2.1](#) for more about using the `.cinit` section with the ROM model and [Section 3.3.2.2](#) for more using it with the RAM model.

### 3.4 Arguments to main

Some programs expect arguments to main (`argc`, `argv`) to be valid. Normally this isn't possible for an embedded program, but the TI runtime does provide a way to do it. The user must allocate an `.args` section of an appropriate size using the `--args` linker option. It is the responsibility of the loader to populate the `.args` section. It is not specified how the loader determines which arguments to pass to the target. The format of the arguments is the same as an array of pointers to `char` on the target.

See [Section 8.4.4](#) for information about allocating memory for argument passing.

### 3.5 Run-Time Relocation

At times you may want to load code into one area of memory and move it to another area before running it. For example, you may have performance-critical code in an external-memory-based system. The code must be loaded into external memory, but it would run faster in internal memory. Because internal memory is limited, you might swap in different speed-critical functions at different times.

The linker provides a way to handle this. Using the `SECTIONS` directive, you can optionally direct the linker to allocate a section twice: first to set its load address and again to set its run address. Use the `load` keyword for the load address and the `run` keyword for the run address. See [Section 3.1.1](#) for more about load and run addresses. If a section is assigned two addresses at link time, all labels defined in the section are relocated to refer to the run-time address so that references to the section (such as branches) are correct when the code runs.

If you provide only one allocation (either `load` or `run`) for a section, the section is allocated only once and loads and runs at the same address. If you provide both allocations, the section is actually allocated as if it were two separate sections. The two sections are the same size if the load section is not compressed.

Uninitialized sections (such as `.bss`) are not loaded, so the only significant address is the run address. The linker allocates uninitialized sections only once; if you specify both run and load addresses, the linker warns you and ignores the load address.

For a complete description of run-time relocation, see [Section 8.5.6](#).

### 3.6 Additional Information

See the following sections and documents for additional information:

[Section 8.4.4](#), "Allocate Memory for Use by the Loader to Pass Arguments (`--arg_size` Option)"

[Section 8.4.11](#), "Define an Entry Point (`--entry_point` Option)"

[Section 8.5.6.1](#), "Specifying Load and Run Addresses"

[Section 8.8](#), "Linker-Generated Copy Tables"

[Section 8.11.1](#), "Run-Time Initialization"

[.label directive](#)

[Chapter 12](#), "Hex Conversion Utility Description"

"Run-Time Initialization" and "System Initialization" sections in the *MSP430 Optimizing C/C++ Compiler User's Guide*

## Assembler Description

The MSP430 assembler translates assembly language source files into machine language object files. These files are object modules, which are discussed in [Chapter 2](#). Source files can contain the following assembly language elements:

- |                                |   |
|--------------------------------|---|
| Assembler directives           | described in <a href="#">Chapter 5</a>  |
| Macro directives               | described in <a href="#">Chapter 6</a>  |
| Assembly language instructions | described in the <i>MSP430x1xx Family User's Guide</i> , <i>MSP430x3xx Family User's Guide</i> , or <i>MSP430x4xx Family User's Guide</i> . |

Topic	Page
<b>4.1 Assembler Overview</b> .....	<b>41</b>
<b>4.2 The Assembler's Role in the Software Development Flow</b> .....	<b>42</b>
<b>4.3 Invoking the Assembler</b> .....	<b>43</b>
<b>4.4 Controlling Application Binary Interface</b> .....	<b>44</b>
<b>4.5 Naming Alternate Directories for Assembler Input</b> .....	<b>44</b>
<b>4.6 Source Statement Format</b> .....	<b>47</b>
<b>4.7 Literal Constants</b> .....	<b>49</b>
<b>4.8 Assembler Symbols</b> .....	<b>52</b>
<b>4.9 Expressions</b> .....	<b>58</b>
<b>4.10 Built-in Functions and Operators</b> .....	<b>61</b>
<b>4.11 Source Listings</b> .....	<b>62</b>
<b>4.12 Debugging Assembly Source</b> .....	<b>64</b>
<b>4.13 Cross-Reference Listings</b> .....	<b>65</b>



## 4.1 Assembler Overview

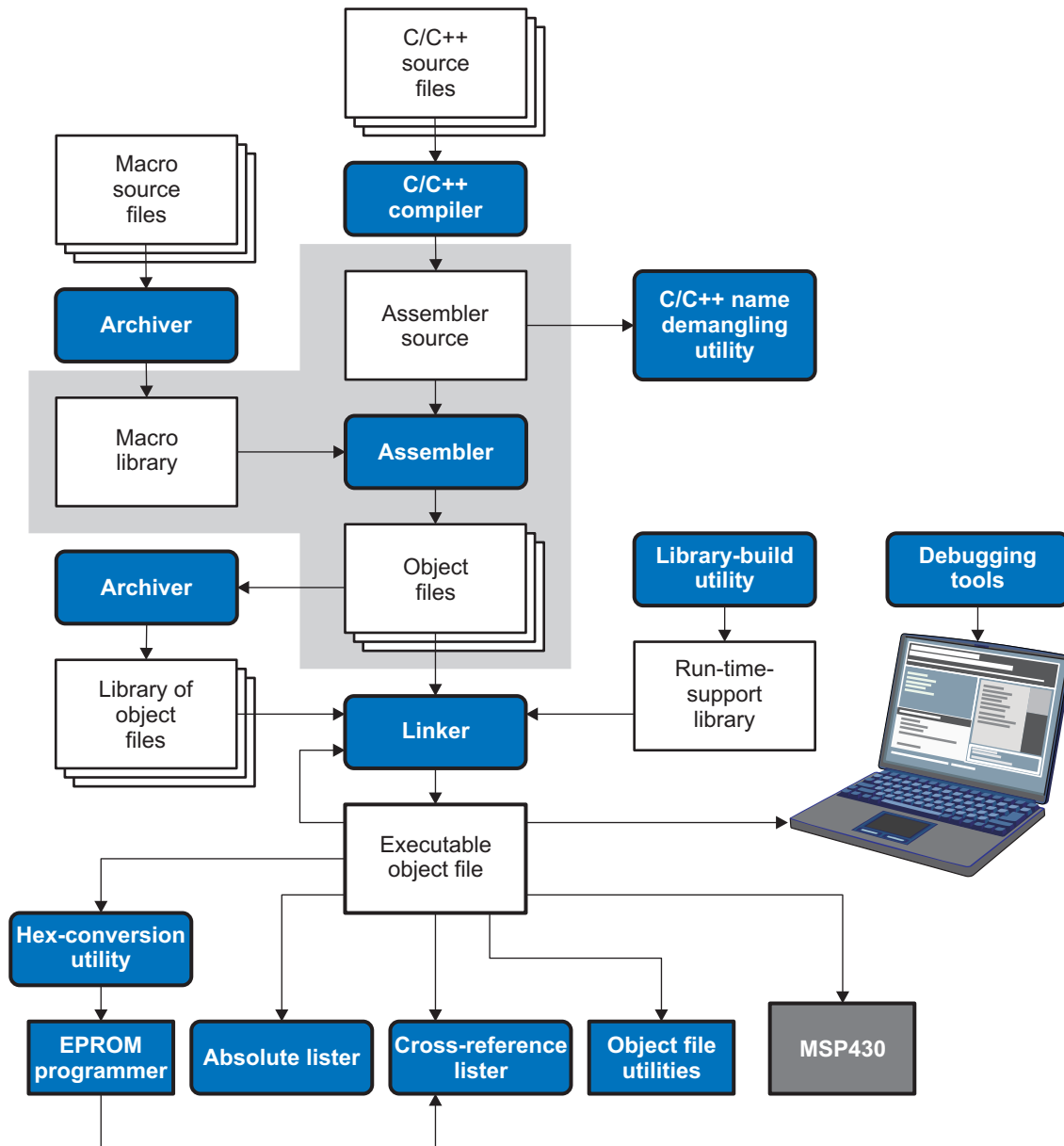
The 2-pass assembler does the following:

- Processes the source statements in a text file to produce a relocatable object file
- Produces a source listing (if requested) and provides you with control over this listing
- Allows you to divide your code into sections and maintain a section program counter (SPC) for each section of object code
- Defines and references global symbols and appends a cross-reference listing to the source listing (if requested)
- Allows conditional assembly
- Supports macros, allowing you to define macros inline or in a library

## 4.2 The Assembler's Role in the Software Development Flow

Figure 4-1 illustrates the assembler's role in the software development flow. The shaded portion highlights the most common assembler development path. The assembler accepts assembly language source files as input, both those you create and those created by the MSP430 C/C++ compiler.

Figure 4-1. The Assembler in the MSP430 Software Development Flow



### 4.3 Invoking the Assembler

To invoke the assembler, enter the following:

**cl430** *input file* [*options*]

**cl430** is the command that invokes the assembler through the compiler. The compiler considers any file with an .asm extension to be an assembly file and invokes the assembler.

*input file* names the assembly language source file.

*options* identify the assembler options that you want to use. Options are case sensitive and can appear anywhere on the command line following the command. Precede each option with one or two hyphens as shown.

The valid assembler options are listed in [Table 4-1](#).

Some runtime model options such as --code\_model and --silicon version influence the behavior of the assembler. These options are passed to the compiler, assembler, and linker from the shell utility, which is detailed in the *MSP430 Optimizing C/C++ Compiler User's Guide*.

**Table 4-1. MSP430 Assembler Options**

Option	Alias	Description
--absolute_listing	-aa	Creates an absolute listing. When you use --absolute_listing, the assembler does not produce an object file. The --absolute_listing option is used in conjunction with the absolute lister.
--asm_define= <i>name</i> [= <i>def</i> ]	-ad	Sets the <i>name</i> symbol. This is equivalent to defining <i>name</i> with a .set directive in the case of a numeric value or with an .asg directive otherwise. If <i>value</i> is omitted, the symbol is set to 1. See <a href="#">Section 4.8.5</a> .
--asm_dependency	-apd	Performs preprocessing for assembly files, but instead of writing preprocessed output, writes a list of dependency lines suitable for input to a standard make utility. The list is written to a file with the same name as the source file but with a .ppa extension.
--asm_includes	-api	Performs preprocessing for assembly files, but instead of writing preprocessed output, writes a list of files included with the .include directive. The list is written to a file with the same name as the source file but with a .ppa extension.
--asm_listing	-al	Produces a listing file with the same name as the input file with a .lst extension.
--asm_listing_cross_reference	-ax	Produces a cross-reference table and appends it to the end of the listing file; it also adds cross-reference information to the object file for use by the cross-reference utility. If you do not request a listing file but use the --asm_listing_cross_reference option, the assembler creates a listing file automatically, naming it with the same name as the input file with a .lst extension.
--asm_undefine= <i>name</i>	-au	Undefines the predefined constant <i>name</i> , which overrides any --asm_define options for the specified constant.
--cmd_file= <i>filename</i>	-@	Appends the contents of a file to the command line. You can use this option to avoid limitations on command line length imposed by the host operating system. Use an asterisk (* or ;) at the beginning of a line in the command file to include comments. Comments that begin in any other column must begin with a semicolon. Within the command file, filenames or option parameters containing embedded spaces or hyphens must be surrounded with quotation marks. For example: "this-file.asm"
--include_file= <i>filename</i>	-ahi	Includes the specified file for the assembly module. The file is included before source file statements. The included file does not appear in the assembly listing files.
--include_path= <i>pathname</i>	-I	Specifies a directory where the assembler can find files named by the .copy, .include, or .mlib directives. There is no limit to the number of directories you can specify in this manner; each pathname must be preceded by the --include_path option. See <a href="#">Section 4.5.1</a> .
--quiet	-q	Suppresses the banner and progress information (assembler runs in quiet mode).
--silicon_version={ <i>m</i> sp  <i>m</i> sp $x$ }		Selects the instruction set version. Using --silicon_version= <i>m</i> sp $x$ generates code for MSP430 $x$ devices (20-bit code addresses). Using --silicon_version= <i>m</i> sp generates code for 16-bit MSP430 devices.  Modules assembled/compiled for 16-bit MSP devices are not compatible with modules that are assembled/compiled for 20-bit MSP $x$ devices. The linker generates errors if an attempt is made to combine incompatible object files.

**Table 4-1. MSP430 Assembler Options (continued)**

Option	Alias	Description
<code>--symdebug:dwarf</code> or <code>--symdebug:none</code>	<code>-g</code>	(DWARF is on by default) Enables assembler source debugging in the C source debugger. Line information is output to the object module for every line of source in the assembly language source file. You cannot use this option on assembly code that contains <code>.line</code> directives. See <a href="#">Section 4.12</a> .

## 4.4 Controlling Application Binary Interface

An Application Binary Interface (ABI) defines the low level interface between object files, and between an executable and its execution environment. The ABI exists to allow ABI-compliant object code to link together, regardless of its source, and allows the resulting executable to run on any system that supports that ABI. See the *MSP430 Optimizing C/C++ Compiler User's Guide* ([SLAU132](#)) and *The MSP430 Embedded Application Binary Interface Application Report* ([SLAA534](#)) for information on the EABI ABI.

COFF object files are not supported in v15.6.0.STS and later versions of the TI Code Generation Tools. If you would like to produce COFF output files, please use v4.4 of the MSP430 Code Generation Tools and refer to [SLAU131J](#) for documentation.

All object files in an EABI application must be built for EABI. The linker detects situations where object modules conform to different ABIs and generates an error.

Note that converting an assembly file from the COFF API to EABI requires some changes to the assembly code.

## 4.5 Naming Alternate Directories for Assembler Input

The `.copy`, `.include`, and `.mlib` directives tell the assembler to use code from external files. The `.copy` and `.include` directives tell the assembler to read source statements from another file, and the `.mlib` directive names a library that contains macro functions. [Chapter 5](#) contains examples of the `.copy`, `.include`, and `.mlib` directives. The syntax for these directives is:

```
.copy ["filename"]
.include ["filename"]
.mlib ["filename"]
```

The *filename* names a copy/include file that the assembler reads statements from or a macro library that contains macro definitions. If *filename* begins with a number the double quotes are required. Quotes are recommended so that there is no issue in dealing with path information that is included in the filename specification or path names that include white space. The filename may be a complete pathname, a partial pathname, or a filename with no path information.

The assembler searches for the file in the following locations in the order given:

1. The directory that contains the current source file. The current source file is the file being assembled when the `.copy`, `.include`, or `.mlib` directive is encountered.
2. Any directories named with the `--include_path` option
3. Any directories named with the `MSP430_A_DIR` environment variable
4. Any directories named with the `MSP430_C_DIR` environment variable

Because of this search hierarchy, you can augment the assembler's directory search algorithm by using the `--include_path` option (described in [Section 4.5.1](#)) or the `MSP430_A_DIR` environment variable (described in [Section 4.5.2](#)). The `MSP430_C_DIR` environment variable is discussed in the *MSP430 Optimizing C/C++ Compiler User's Guide*.

#### 4.5.1 Using the `--include_path` Assembler Option

The `--include_path` assembler option names an alternate directory that contains copy/include files or macro libraries. The format of the `--include_path` option is as follows:

```
cl430 --include_path= pathname source filename [other options]
```

There is no limit to the number of `--include_path` options per invocation; each `--include_path` option names one pathname. In assembly source, you can use the `.copy`, `.include`, or `.mlib` directive without specifying path information. If the assembler does not find the file in the directory that contains the current source file, it searches the paths designated by the `--include_path` options.

For example, assume that a file called `source.asm` is in the current directory; `source.asm` contains the following directive statement:

```
.copy "copy.asm"
```

Assume the following paths for the `copy.asm` file:

```
UNIX:           /tools/files/copy.asm
Windows:       c:\tools\files\copy.asm
```

You could set up the search path with the commands shown below:

Operating System	Enter
UNIX (Bourne shell)	<code>cl430 --include_path=/tools/files source.asm</code>
Windows	<code>cl430 --include_path=c:\tools\files source.asm</code>

The assembler first searches for `copy.asm` in the current directory because `source.asm` is in the current directory. Then the assembler searches in the directory named with the `--include_path` option.

#### 4.5.2 Using the `MSP430_A_DIR` Environment Variable

An environment variable is a system symbol that you define and assign a string to. The assembler uses the `MSP430_A_DIR` environment variable to name alternate directories that contain copy/include files or macro libraries.

The assembler looks for the `MSP430_A_DIR` environment variable and then reads and processes it. If the assembler does not find the `MSP430_A_DIR` variable, it then searches for `MSP430_C_DIR`. The processor-specific variables are useful when you are using Texas Instruments tools for different processors at the same time.

See the *MSP430 Optimizing C/C++ Compiler User's Guide* for details on `MSP430_C_DIR`.

The command syntax for assigning the environment variable is as follows:

Operating System	Enter
UNIX (Bourne Shell)	<b>MSP430_A_DIR=" pathname<sub>1</sub>; pathname<sub>2</sub>; . . . "; export MSP430_A_DIR</b>
Windows	<b>set MSP430_A_DIR= pathname<sub>1</sub>; pathname<sub>2</sub>; . . .</b>

The *pathnames* are directories that contain copy/include files or macro libraries. The pathnames must follow these constraints:

- Pathnames must be separated with a semicolon.
- Spaces or tabs at the beginning or end of a path are ignored. For example the space before and after the semicolon in the following is ignored:

```
set MSP_A_DIR= c:\path\one\to\tools ; c:\path\two\to\tools
```

- Spaces and tabs are allowed within paths to accommodate Windows directories that contain spaces. For example, the pathnames in the following are valid:

```
set MSP_A_DIR=c:\first path\to\tools;d:\second path\to\tools
```

In assembly source, you can use the `.copy`, `.include`, or `.mlib` directive without specifying path information. If the assembler does not find the file in the directory that contains the current source file or in directories named by the `--include_path` option, it searches the paths named by the environment variable.

For example, assume that a file called `source.asm` contains these statements:

```
.copy "copy1.asm"
.copy "copy2.asm"
```

Assume the following paths for the files:

UNIX:                    /tools/files/copy1.asm and /dsys/copy2.asm  
 Windows:                c:\tools\files\copy1.asm and c:\dsys\copy2.asm

You could set up the search path with the commands shown below:

Operating System	Enter
UNIX (Bourne shell)	<b>MSP430_A_DIR="/dsys"; export MSP430_A_DIR cl430 --include_path=/tools/files source.asm</b>
Windows	<b>MSP430_A_DIR=c:\dsys cl430 --include_path=c:\tools\files source.asm</b>

The assembler first searches for `copy1.asm` and `copy2.asm` in the current directory because `source.asm` is in the current directory. Then the assembler searches in the directory named with the `--include_path` option and finds `copy1.asm`. Finally, the assembler searches the directory named with `MSP430_A_DIR` and finds `copy2.asm`.

The environment variable remains set until you reboot the system or reset the variable by entering one of these commands:

Operating System	Enter
UNIX (Bourne shell)	<code>unset MSP430_A_DIR</code>
Windows	<code>set MSP430_A_DIR=</code>

## 4.6 Source Statement Format

Each line in a MSP430 assembly input file can be empty, a comment, an assembler directive, a macro invocation, or an assembly instruction.

Assembly language source statements can contain four ordered fields (label, mnemonic, operand list, and comment). The general syntax for source statements is as follows:

```
[label[:]]mnemonic [operand list][;comment]
```

Following are examples of source statements:

```
SYM1      .set      2           ; Symbol SYM1 = 2
Begin:    MOV.W     #SYM1, R11   ; Load R11 with 2
          .word     016h        ; Initialize word (016h)
```

The MSP430 assembler reads an unlimited number of characters per line. Source statements that extend beyond 400 characters in length (including comments) are truncated in the listing file.

Follow these guidelines:

- All statements must begin with a label, a blank, an asterisk, or a semicolon.
- Labels are optional for most statements; if used, they must begin in column 1.
- One or more space or tab characters must separate each field.
- Comments are optional. Comments that begin in column 1 can begin with an asterisk or a semicolon (\* or ;), but comments that begin in any other column *must* begin with a semicolon.

---

**NOTE:** A mnemonic cannot begin in column 1 or it will be interpreted as a label. Mnemonic opcodes and assembler directive names without the . prefix are valid label names. Remember to always use whitespace before the mnemonic, or the assembler will think the identifier is a new label definition.

---

The following sections describe each of the fields.

### 4.6.1 Label Field

A label must be a legal identifier (see [Section 4.8.1](#)) placed in column 1. Every instruction may optionally have a label. Many directives allow a label, and some require a label.

A label can be followed by a colon (:). The colon is not treated as part of the label name. If you do not use a label, the first character position must contain a blank, a semicolon, or an asterisk.

When you use a label on an assembly instruction or data directive, an *assembler symbol* ([Section 4.8](#)) with the same name is created. Its value is the current value of the *section program counter* (SPC, see [Section 2.4.5](#)). This symbol represents the address of that instruction. In the following example, the .word directive is used to create an array of 3 words. Because a label was used, the assembly symbol Start refers to the first word, and the symbol will have the value 40h.

```

.
.
.
9 0000      ; Assume some code was assembled
10 0040 000A Start: .word 0Ah,3,7
    0044 0003
    0048 0007
```

A label on a line by itself is a valid statement. When a label appears on a line by itself, it points to the instruction on the next line (the SPC is not incremented):

```

3 0050      Here:
4 0050 0003      .word 3
```

A label on a line by itself is equivalent to writing:

```
Here: .equ $ ; $ provides the current value of the SPC
```

If you do not use a label, the character in column 1 must be a blank, an asterisk, or a semicolon.

## 4.6.2 Mnemonic Field

The mnemonic field follows the label field. The mnemonic field cannot start in column 1; if it does, it is interpreted as a label. The mnemonic field contains one of the following items:

- Machine-instruction mnemonic (such as ADD, MOV, JMP)
- Assembler directive (such as .data, .list, .equ)
- Macro directive (such as .macro, .var, .mexit)
- Macro invocation

## 4.6.3 Operand Field

The operand field follows the mnemonic field and contains zero or more comma-separated operands. An operand can be one of the following:

- an immediate operand (usually a constant or symbol) (see [Section 4.7](#) and [Section 4.8](#))
- a register operand
- a memory reference operand
- an expression that evaluates to one of the above (see [Section 4.9](#))

An *immediate operand* is encoded directly in the instruction. The value of an immediate operand must be a *constant expression*. Most instructions with an immediate operand require an *absolute constant expression*, such as 1234. Some instructions (such as a call instruction) allow a *relocatable constant expression*, such as a symbol defined in another file. (See [Section 4.9](#) for details about types of expressions.)

A *register operand* is a special pre-defined symbol that represents a CPU register.

A *memory reference operand* uses one of several memory addressing modes to refer to a memory location. Memory reference operands use a target-specific syntax defined in the appropriate *CPU and Instruction Set Reference Guide*.

You must separate operands with commas. Not all operand types are supported for all operands. See the description of the specific instruction in the *CPU and Instruction Set Reference Guide* for your device family.

You use immediate values as operands primarily with instructions. In some cases, you can use immediate values with the operands of directives.

See the *MSP430x1xx Family User's Guide*, the *MSP430x3xx Family User's Guide*, and the *MSP430x4xx Family User's Guide* for more information on the syntax and usage of instructions. See [Chapter 5](#) for more information on the syntax and usage of directives.

### 4.6.3.1 Operand Syntaxes for Instructions

The assembler allows you to specify that an operand should be used as an immediate value by using the # sign as a prefix. For instance, you can use immediate values with the .byte directive to load values into the current section. It is not usually necessary or permitted to use the # prefix in directives. Compare the following statements:

```
ADD.W #10, R11
.byte 10
```

In the first statement, the # prefix is necessary to tell the assembler to add the value 10 to R11. In the second statement, however, the # prefix is not used; the assembler expects the operand to be a value and initializes a byte with the value 10.



#### 4.6.4 Comment Field

A comment can begin in any column and extends to the end of the source line. A comment can contain any ASCII character, including blanks. Comments are printed in the assembly source listing, but they do not affect the assembly.

A source statement that contains only a comment is valid. If it begins in column 1, it can start with a semicolon ( ; ) or an asterisk ( \* ). Comments that begin anywhere else on the line must begin with a semicolon. The asterisk identifies a comment only if it appears in column 1.

#### 4.7 Literal Constants

A *literal constant* (also known as a *literal* or in some other documents as an *immediate value*) is a value that represents itself, such as 12, 3.14, or "hello".

The assembler supports several types of literals:

- Binary integer literals
- Octal integer literals
- Decimal integer literals
- Hexadecimal integer literals
- Character literals
- Character string literals
- Floating-point literals

Error checking for invalid or incomplete literals is performed.

##### 4.7.1 Integer Literals

The assembler maintains each integer literal internally as a 32-bit signless quantity. Literals are considered unsigned values, and are not sign extended. For example, the literal 00FFh is equal to 00FF (base 16) or 255 (base 10); it *does not* equal -1, which is 0FFFFFFFh (base 16). Note that if you store 0FFh in a .byte location, the bits will be exactly the same as if you had stored -1. It is up to the reader of that location to interpret the signedness of the bits.

##### 4.7.1.1 Binary Integer Literals

A binary integer literal is a string of up to 32 binary digits (0s and 1s) followed by the suffix B (or b). Binary literals of the form "0[bB][10]+" are also supported. If fewer than 32 digits are specified, the assembler right justifies the value and fills the unspecified bits with zeros. These are examples of valid binary literals:

00000000B	Literal equal to 0 <sub>10</sub> or 0 <sub>16</sub>
0100000b	Literal equal to 32 <sub>10</sub> or 20 <sub>16</sub>
01b	Literal equal to 1 <sub>10</sub> or 1 <sub>16</sub>
11111000B	Literal equal to 248 <sub>10</sub> or 0F8 <sub>16</sub>
0b00101010	Literal equal to 42 <sub>10</sub> or 2A <sub>16</sub>
0B101010	Literal equal to 42 <sub>10</sub> or 2A <sub>16</sub>

#### 4.7.1.2 Octal Integer Literals

An octal integer literal is a string of up to 11 octal digits (0 through 7) followed by the suffix Q (or q). Octal literals may also begin with a 0, contain no 8 or 9 digits, and end with no suffix. These are examples of valid octal literals:

10Q	Literal equal to $8_{10}$ or $8_{16}$
054321	Literal equal to $22737_{10}$ or $58D1_{16}$
100000Q	Literal equal to $32768_{10}$ or $8000_{16}$
226q	Literal equal to $150_{10}$ or $96_{16}$

#### 4.7.1.3 Decimal Integer Literals

A decimal integer literal is a string of decimal digits ranging from -2147 483 648 to 4 294 967 295. These are examples of valid decimal integer literals:

1000	Literal equal to $1000_{10}$ or $3E8_{16}$
-32768	Literal equal to $-32\,768_{10}$ or $-8000_{16}$
25	Literal equal to $25_{10}$ or $19_{16}$
4815162342	Literal equal to $4815162342_{10}$ or $11F018BE6_{16}$

#### 4.7.1.4 Hexadecimal Integer Literals

A hexadecimal integer literal is a string of up to eight hexadecimal digits followed by the suffix H (or h) or preceded by 0x. A *hexadecimal literal must begin with a decimal value (0-9) if it is indicated by the H or h suffix.*

Hexadecimal digits include the decimal values 0-9 and the letters A-F or a-f. If fewer than eight hexadecimal digits are specified, the assembler right-justifies the bits.

These are examples of valid hexadecimal literals:

78h	Literal equal to $120_{10}$ or $0078_{16}$
0x78	Literal equal to $120_{10}$ or $0078_{16}$
0Fh	Literal equal to $15_{10}$ or $000F_{16}$
37ACh	Literal equal to $14252_{10}$ or $37AC_{16}$

#### 4.7.1.5 Character Literals

A character literal is a single character enclosed in *single* quotes. The characters are represented internally as 8-bit ASCII characters. Two consecutive single quotes are required to represent each single quote that is part of a character literal. A character literal consisting only of two single quotes is valid and is assigned the value 0. These are examples of valid character literals:

'a'	Defines the character literal <i>a</i> and is represented internally as $61_{16}$
'C'	Defines the character literal <i>C</i> and is represented internally as $43_{16}$
''	Defines the character literal <i>'</i> and is represented internally as $27_{16}$
"	Defines a null character and is represented internally as $00_{16}$

Notice the difference between character *literals* and character *string literals* ([Section 4.7.2](#) discusses character strings). A character literal represents a single integer value; a string is a sequence of characters.

### 4.7.2 Character String Literals

A character string is a sequence of characters enclosed in *double* quotes. Double quotes that are part of character strings are represented by two consecutive double quotes. The maximum length of a string varies and is defined for each directive that requires a character string. Characters are represented internally as 8-bit ASCII characters.

These are examples of valid character strings:

**"sample program"** defines the 14-character string *sample program*.  
**"PLAN ""C"""** defines the 8-character string *PLAN "C"*.

Character strings are used for the following:

- Filenames, as in .copy "filename"
- Section names, as in .sect "section name"
- Data initialization directives, as in .byte "charstring"
- Operands of .string directives

### 4.7.3 Floating-Point Literals

A floating-point literal is a string of decimal digits followed by a required decimal point, an optional fractional portion, and an optional exponent portion. The syntax for a floating-point number is:

[ +|- ] *nnn* . [ *nnn* ] [ **E**e [ +|- ] *nnn* ]

Replace *nnn* with a string of decimal digits. You can precede *nnn* with a + or a -. You must specify a decimal point. For example, 3.e5 is valid, but 3e5 is not valid. The exponent indicates a power of 10. These are examples of valid floating-point literals:

```
3.0
3.14
3.
-0.314e13
+314.59e-2
```

The assembler syntax does not support all C89-style float literals nor C99-style hexadecimal constants, but the \$strtod built-in mathematical function supports both. If you want to specify a floating-point literal using one of those formats, use \$strtod. For example:

```
$strtod( ".3" )
$strtod( "0x1.234p-5" )
```

You cannot directly use NaN, Inf, or -Inf as floating-point literals. Instead, use \$strtod to express these values. The "NaN" and "Inf" strings are handled case-insensitively. See [Section 4.10.1](#) for built-in functions.

```
$strtod( "NaN" )
$strtod( "Inf" )
```

## 4.8 Assembler Symbols

An assembler symbol is a named 32-bit signless integer value, usually representing an address or absolute integer. A symbol can represent such things as the starting address of a function, variable, or section. The name of a symbol must be a legal identifier. The identifier becomes a symbolic representation of the symbol's value, and may be used in subsequent instructions to refer to the symbol's location or value.

Some assembler symbols become external symbols, and are placed in the object file's symbol table. A symbol is valid only within the module in which it is defined, unless you use the `.global` directive or the `.def` directive to declare it as an *external symbol* (see [.global directive](#)).

See [Section 2.6](#) for more about symbols and the symbol tables in object files.

### 4.8.1 Identifiers

Identifiers are names used as labels, registers, symbols, and substitution symbols. An identifier is a string of alphanumeric characters, the dollar sign, and underscores (A-Z, a-z, 0-9, \$, and `_`). The first character in an identifier cannot be a number, and identifiers cannot contain embedded blanks. The identifiers you define are case sensitive; for example, the assembler recognizes ABC, Abc, and abc as three distinct identifiers.

### 4.8.2 Labels

An identifier used as a label becomes an assembler symbol, which represent an address in the program. Labels within a file must be unique.

---

**NOTE:** A mnemonic cannot begin in column 1 or it will be interpreted as a label. Mnemonic opcodes and assembler directive names without the `.` prefix are valid label names. Remember to always use whitespace before the mnemonic, or the assembler will think the identifier is a new label definition.

---

Symbols derived from labels can also be used as the operands of `.bss`, `.global`, `.ref`, or `.def` directives.

```
.global func

MOV    #CON1, R11
MOV    R11, 0(SP)
CALL   #func
```

### 4.8.3 Local Labels

Local labels are special labels whose scope and effect are temporary. A local label can be defined in two ways:

- $\$n$ , where  $n$  is a decimal digit in the range 0-9. For example,  $\$4$  and  $\$1$  are valid local labels. See [Example 4-1](#).
- $name?$ , where  $name$  is any legal identifier as described above. The assembler replaces the question mark with a period followed by a unique number. When the source code is expanded, *you will not see the unique number in the listing file*. Your label appears with the question mark as it did in the source definition.

You cannot declare these types of labels as global.

Normal labels must be unique (they can be declared only once), and they can be used as constants in the operand field. Local labels, however, can be undefined and defined again. Local labels cannot be defined by directives.

A local label can be undefined or reset in one of these ways:

- By using the `.newblock` directive
- By changing sections (using a `.sect`, `.text`, or `.data` directive)
- By entering an include file (specified by the `.include` or `.copy` directive)
- By leaving an include file (specified by the `.include` or `.copy` directive)

#### Example 4-1. Local Labels of the Form $\$n$

This is an example of code that declares and uses a local label legally:

```
.global ADDRA, ADDRb, ADDRc
Label1: MOV #ADDRA, R11      ; Load Address A to R11.
        SUB #ADDRb, R11     ; Subtract Address B.
        JL  $1              ; If < 0, branch to $1
        MOV #ADDRb, R11     ; otherwise, load ADDRb to R11
        JMP $2              ; and branch to $2.
$1      MOV #ADDRA, R11     ; $1: load ADDRA to AC0.
$2      ADD #ADDRc, R11     ; $2: add ADDRc.
        .newblock          ; Undefine $1 so it can be used again.
        JMP $1              ; If less than zero, branch to $1.
        MOV R11, &ADDRc    ; Store AC0 low in ADDRc.
$1      NOP
```

The following code uses a local label illegally:

```
.global ADDRA, ADDRb, ADDRc
Label1: MOV #ADDRA, R11     ; Load Address A to R11.
        SUB #ADDRb, R11     ; Subtract Address B.
        JL  $1              ; If < 0, branch to $1
        MOV #ADDRb, R11     ; otherwise, load ADDRb to R11
        JMP $2              ; and branch to $2.
$1      MOV #ADDRA, R11     ; $1: load ADDRA to AC0.
$2      ADD #ADDRc, R11     ; $2: add ADDRc.
        JMP $1              ; If less than zero, branch to $1.
        MOV R11, &ADDRc    ; Store AC0 low in ADDRc.
$1      NOP
```

The  $\$1$  label is not undefined before being reused by the second branch instruction. Therefore,  $\$1$  is redefined, which is illegal.

Local labels are especially useful in macros. If a macro contains a normal label and is called more than once, the assembler issues a multiple-definition error. If you use a local label and `.newblock` within a macro, however, the local label is used and reset each time the macro is expanded.

Up to ten local labels of the `$n` form can be in effect at one time. Local labels of the form `name?` are not limited. After you undefine a local label, you can define it and use it again. Local labels do not appear in the object code symbol table.

For more information about using labels in macros see [Section 6.6](#).

#### 4.8.4 Symbolic Constants

A symbolic constant is a symbol with a value that is an absolute constant expression (see [Section 4.9](#)). By using symbolic constants, you can assign meaningful names to constant expressions. The `.set` and `.struct/.tag/.endstruct` directives enable you to set symbolic constants (see [Define Assembly-Time Constant](#)). Once defined, symbolic constants *cannot* be redefined.

If you use the `.set` directive to assign a value to a symbol, the symbol becomes a symbolic constant and may be used where a constant expression is expected. For example:

```
shift3 .set 3
      MOV #shift3, R11
```

You can also use the `.set` directive to assign symbolic constants for other symbols, such as register names. In this case, the symbolic constant becomes a synonym for the register:

```
OP1 .set R11
    MOV OP1, 2(SP)
```

The following example shows how the `.set` directive can be used with the `.struct`, `.tag`, and `.endstruct` directives. It creates the symbolic constants `K`, `maxbuf`, `item`, `value`, `delta`, and `i_len`.

```
K .set 1024 ; constant definitions
maxbuf .set 2*K

item .struct ; item structure definition
value .int ; constant offsets value = 0
delta .int ; constant offsets value = 1
i_len .endstruct

array .tag item ; array declaration
      .bss array, i_len*K
```

The assembler also has many predefined symbolic constants; these are discussed in [Section 4.8.6](#).

### 4.8.5 Defining Symbolic Constants (--asm\_define Option)

The `--asm_define` option equates a constant value or a string with a symbol. The symbol can then be used in place of a value in assembly source. The format of the `--asm_define` option is as follows:

**cl430** `--asm_define=name[=value]`

The *name* is the name of the symbol you want to define. The *value* is the constant or string value you want to assign to the symbol. If the *value* is omitted, the symbol is set to 1. If you want to define a quoted string and keep the quotation marks, do one of the following:

- For Windows, use `--asm_define= name =\" value \"`. For example, `--asm_define=car=\"sedan\"`
- For UNIX, use `--asm_define= name =\" value \"`. For example, `--asm_define=car="sedan"`
- For Code Composer, enter the definition in a file and include that file with the `--cmd_file` (or `-@`) option.

Once you have defined the name with the `--asm_define` option, the symbol can be used with assembly directives and instructions as if it had been defined with the `.set` directive. For example, on the command line you enter:

```
cl430 --asm_define=SYM1=1 --asm_define=SYM2=2 --asm_define=SYM3=3 --asm_define=SYM4=4 value.asm
```

Since you have assigned values to SYM1, SYM2, SYM3, and SYM4, you can use them in source code. [Example 4-2](#) shows how the `value.asm` file uses these symbols without defining them explicitly.

In assembler source, you can test the symbol defined with the `--asm_define` option with these directives:

Type of Test	Directive Usage
Existence	<code>.if \$isdefed(" name ")</code>
Nonexistence	<code>.if \$isdefed(" name ") = 0</code>
Equal to value	<code>.if name = value</code>
Not equal to value	<code>.if name != value</code>

The argument to the `$isdefed` built-in function must be enclosed in quotes. The quotes cause the argument to be interpreted literally rather than as a substitution symbol.

#### Example 4-2. Using Symbolic Constants Defined on Command Line

```
IF_4: .if      SYM4 = SYM2 * SYM2
      .byte   SYM4          ; Equal values
      .else
      .byte   SYM2 * SYM2  ; Unequal values
      .endif

IF_5: .if      SYM1 <= 10
      .byte   10           ; Less than / equal
      .else
      .byte   SYM1         ; Greater than
      .endif

IF_6: .if      SYM3 * SYM2 != SYM4 + SYM2
      .byte   SYM3 * SYM2  ; Unequal value
      .else
      .byte   SYM4 + SYM4  ; Equal values
      .endif

IF_7: .if      SYM1 = SYM2
      .byte   SYM1
      .elseif  SYM2 + SYM3 = 5
      .byte   SYM2 + SYM3
      .endif
```

### 4.8.6 Predefined Symbolic Constants

The assembler has several types of predefined symbols.

\$, the dollar-sign character, represents the current value of the section program counter (SPC).

In addition, the following predefined processor symbolic constants are available:

**Table 4-2. MSP430 Processor Symbolic Constants**

Symbol name	Description
.MSP430 <sup>(1)</sup>	Always set to 1
.MSP430X <sup>(1)</sup>	Set to 1 if the --silicon_version=mspx option is specified, otherwise 0
.MSP4619 <sup>(1)</sup>	Set to 1 if the --silicon_version=mspx option is specified, otherwise 0
__LARGE_CODE_MODEL__	Set to 1 if the --code_model=large option is specified; otherwise 0
__LARGE_DATA_MODEL__	Set to 1 if the --data_model=large or --data_model=restricted option is specified, otherwise 0
__LONG_PTRDIFF_T__	Set to 1 (indicates ptrdiff_t is a long) if the --data_model=large option is specified, otherwise 0
__UNSIGNED_LONG_SIZE_T__	Set to 1 (indicates size_t is an unsigned long) if the --data_model=large option is specified, otherwise 0
__TI_EABI__	Set to 1 if EABI is enabled. EABI is now the only supported ABI; see <a href="#">Section 4.4</a> .

<sup>(1)</sup> The processor symbol can be entered as all uppercase or all lowercase characters; for example: .MSP430X could also be entered as .msp430x.

### 4.8.7 Registers

The names of MSP430 registers are predefined symbols, including R0-R15 and their aliases.

**Table 4-3. MSP430 Register Symbols with Aliases**

Register Name	Alias
R0	PC
R1	SP
R2	SR

Register symbols and aliases can be entered as all uppercase or all lowercase characters. For example, R1 could also be entered as r1, SP, or sp.

Control register symbols can be entered in all upper-case or all lower-case characters.

See the "Register Conventions" section of the *MSP430 Optimizing C/C++ Compiler User's Guide* for details about the registers and their uses.



### 4.8.8 Substitution Symbols

Symbols can be assigned a string value. This enables you to create aliases for character strings by equating them to symbolic names. Symbols that represent character strings are called substitution symbols. When the assembler encounters a substitution symbol, its string value is substituted for the symbol name. Unlike symbolic constants, substitution symbols can be redefined.

A string can be assigned to a substitution symbol anywhere within a program; for example:

```
.asg  "SP", stack-pointer
      ; Assigns the string SP to the substitution symbol
      ; stack-pointer.
.asg  "#0x20", block2
      ; Assigns the string #0x20 to the substitution
      ; symbol block2.
ADD   block2, stack-pointer
      ; Adds the value in SP to #0x20 and stores the
      ; result in SP.
```

When you are using macros, substitution symbols are important because macro parameters are actually substitution symbols that are assigned a macro argument. The following code shows how substitution symbols are used in macros:

```
myadd .macro src, dest
      ; addl macro definition
      ADD src, dest
      ; Add the value in register dest to the value in
      ; register src.
      .endm

*myadd invocation
myadd R4, R5
      ; Calls the macro addl and substitutes R4 for src
      ; and R5 for dest. The macro adds the value of R4
      ; and the value of R5.
```

See [Chapter 6](#) for more information about macros.

## 4.9 Expressions

Nearly all values and operands in assembly language are *expressions*, which may be any of the following:

- a literal constant
- a register
- a memory reference
- a symbol
- a built-in function invocation
- a mathematical or logical operation on one or more expressions

This section defines several types of expressions that are referred to throughout this document. Some instruction operands accept limited types of expressions. For example, the `.if` directive requires its operand be an absolute constant expression with an integer value. Absolute in the context of assembly code means that the value of the expression must be known at assembly time.

A *constant expression* is any expression that does not in any way refer to a register or memory reference. An *immediate operand* will usually not accept a register or memory reference. It must be given a constant expression. Constant expressions may be any of the following:

- a literal constant
- an address constant expression
- a symbol whose value is a constant expression
- a built-in function invocation on a constant expression
- a mathematical or logical operation on one or more constant expressions

An *address constant expression* is a special case of a constant expression. Some immediate operands that require an address value can accept a symbol plus an addend; for example, some branch instructions. The symbol must have a value that is an address, and it may be an external symbol. The addend must be an absolute constant expression with an integer value. For example, a valid address constant expression is `"array+4"`.

A constant expression may be absolute or relocatable. *Absolute* means known at assembly time. *Relocatable* means constant, but not known until link time. External symbols are relocatable, even if they refer to a symbol defined in the same module.

An *absolute constant expression* may not refer to any external symbols anywhere in the expression. In other words, an absolute constant expression may be any of the following:

- a literal constant
- an absolute address constant expression
- a symbol whose value is an absolute constant expression
- a built-in function invocation whose arguments are all absolute constant expressions
- a mathematical or logical operation on one or more absolute constant expressions

A *relocatable constant expression* refers to at least one external symbol. For ELF, such expressions may contain at most one external symbol. A relocatable constant expression may be any of the following:

- an external symbol
- a relocatable address constant expression
- a symbol whose value is a relocatable constant expression
- a built-in function invocation with any arguments that are relocatable constant expressions
- a mathematical or logical operation on one or more expressions, at least one of which is a relocatable constant expression

In some cases, the value of a relocatable address expression may be known at assembly time. For example, a relative displacement branch may branch to a label defined in the same section.

### 4.9.1 Mathematical and Logical Operators

The operands of a mathematical or logical operator must be well-defined expressions. That is, you must use the correct number of operands and the operation must make sense. For example, you cannot take the XOR of a floating-point value. In addition, well-defined expressions contain only symbols or assembly-time constants that have been defined before they occur in the directive's expression.

Three main factors influence the order of expression evaluation:

<b>Parentheses</b>	Expressions enclosed in parentheses are always evaluated first. $8 / (4 / 2) = 4$ , but $8 / 4 / 2 = 1$ You <i>cannot</i> substitute braces ( { } ) or brackets ( [ ] ) for parentheses.
<b>Precedence groups</b>	Operators, listed in <a href="#">Table 4-4</a> , are divided into nine precedence groups. When parentheses do not determine the order of expression evaluation, the highest precedence operation is evaluated first. $8 + 4 / 2 = 10$ ( $4 / 2$ is evaluated first)
<b>Left-to-right evaluation</b>	When parentheses and precedence groups do not determine the order of expression evaluation, the expressions are evaluated from left to right, except for Group 1, which is evaluated from right to left. $8 / 4 * 2 = 4$ , but $8 / (4 * 2) = 1$

[Table 4-4](#) lists the operators that can be used in expressions, according to precedence group.

**Table 4-4. Operators Used in Expressions (Precedence)**

Group <sup>(1)</sup>	Operator	Description <sup>(2)</sup>
1	+ - ~ !	Unary plus Unary minus 1s complement Logical NOT
2	* / %	Multiplication Division Modulo
3	+ -	Addition Subtraction
4	<< >>	Shift left Shift right
5	< <= > >=	Less than Less than or equal to Greater than Greater than or equal to
6	=[= !=	Equal to Not equal to
7	&	Bitwise AND
8	^^	Bitwise exclusive OR (XOR)
9		Bitwise OR

<sup>(1)</sup> Group 1 operators are evaluated right to left. All other operators are evaluated left to right.

<sup>(2)</sup> Unary + and - have higher precedence than the binary forms.

The assembler checks for overflow and underflow conditions when arithmetic operations are performed during assembly. It issues a warning (the "value truncated" message) whenever an overflow or underflow occurs. The assembler *does not* check for overflow or underflow in multiplication.

### 4.9.2 Relational Operators and Conditional Expressions

The assembler supports relational operators that can be used in any expression; they are especially useful for conditional assembly. Relational operators include the following:

=	Equal to	!=	Not equal to
<	Less than	<=	Less than or equal to
>	Greater than	>=	Greater than or equal to

Conditional expressions evaluate to 1 if true and 0 if false and can be used only on operands of equivalent types; for example, absolute value compared to absolute value, but not absolute value compared to relocatable value.

### 4.9.3 Well-Defined Expressions

Some assembler directives, such as .if, require well-defined absolute constant expressions as operands. Well-defined expressions contain only symbols or assembly-time constants that have been defined before they occur in the directive's expression. In addition, they must use the correct number of operands and the operation must make sense. The evaluation of a well-defined expression must be unambiguous.

This is an example of a well-defined expression:

```
1000h+X
```

where X was previously defined as an absolute symbol.

## 4.10 Built-in Functions and Operators

The assembler supports built-in mathematical functions and built-in addressing operators.

The built-in substitution symbol functions are discussed in [Section 6.3.2](#).

### 4.10.1 Built-In Math and Trigonometric Functions

The assembler supports built-in functions for conversions and various math computations. [Table 4-5](#) describes the built-in functions. The *expr* must be an absolute constant expression.

**Table 4-5. Built-In Mathematical Functions**

Function	Description
<b>\$acos</b> ( <i>expr</i> )	Returns the arccosine of <i>expr</i> as a floating-point value
<b>\$asin</b> ( <i>expr</i> )	Returns the arcsine of <i>expr</i> as a floating-point value
<b>\$atan</b> ( <i>expr</i> )	Returns the arctangent of <i>expr</i> as a floating-point value
<b>\$atan2</b> ( <i>expr</i> , <i>y</i> )	Returns the arctangent of <i>expr</i> as a floating-point value in range $[-\pi, \pi]$
<b>\$ceil</b> ( <i>expr</i> )	Returns the smallest integer not less than <i>expr</i>
<b>\$cos</b> ( <i>expr</i> )	Returns the cosine of <i>expr</i> as a floating-point value
<b>\$cosh</b> ( <i>expr</i> )	Returns the hyperbolic cosine of <i>expr</i> as a floating-point value
<b>\$cvf</b> ( <i>expr</i> )	Converts <i>expr</i> to a floating-point value
<b>\$cvi</b> ( <i>expr</i> )	converts <i>expr</i> to integer value
<b>\$exp</b> ( <i>expr</i> )	Returns the exponential function $e^{expr}$
<b>\$fabs</b> ( <i>expr</i> )	Returns the absolute value of <i>expr</i> as a floating-point value
<b>\$floor</b> ( <i>expr</i> )	Returns the largest integer not greater than <i>expr</i>
<b>\$fmod</b> ( <i>expr</i> , <i>y</i> )	Returns the remainder of $expr1 \div expr2$
<b>\$int</b> ( <i>expr</i> )	Returns 1 if <i>expr</i> has an integer value; else returns 0. Returns an integer.
<b>\$ldexp</b> ( <i>expr</i> , <i>expr2</i> )	Multiplies <i>expr</i> by an integer power of 2. That is, $expr1 \times 2^{expr2}$
<b>\$log</b> ( <i>expr</i> )	Returns the natural logarithm of <i>expr</i> , where $expr > 0$
<b>\$log10</b> ( <i>expr</i> )	Returns the base 10 logarithm of <i>expr</i> , where $expr > 0$
<b>\$max</b> ( <i>expr</i> 1, <i>expr</i> 2)	Returns the maximum of two values
<b>\$min</b> ( <i>expr</i> 1, <i>expr</i> 2)	Returns the minimum of two values
<b>\$pow</b> ( <i>expr</i> 1, <i>expr</i> 2)	Returns <i>expr</i> 1 raised to the power of <i>expr</i> 2
<b>\$round</b> ( <i>expr</i> )	Returns <i>expr</i> rounded to the nearest integer
<b>\$sgn</b> ( <i>expr</i> )	Returns the sign of <i>expr</i> .
<b>\$sin</b> ( <i>expr</i> )	Returns the sine of <i>expr</i>
<b>\$sinh</b> ( <i>expr</i> )	Returns the hyperbolic sine of <i>expr</i> as a floating-point value
<b>\$sqrt</b> ( <i>expr</i> )	Returns the square root of <i>expr</i> , $expr \geq 0$ , as a floating-point value
<b>\$strtod</b> ( <i>str</i> )	Converts a character string to a double precision floating-point value. The string contains a properly-formatted C99-style floating-point literal.
<b>\$tan</b> ( <i>expr</i> )	Returns the tangent of <i>expr</i> as a floating-point value
<b>\$tanh</b> ( <i>expr</i> )	Returns the hyperbolic tangent of <i>expr</i> as a floating-point value
<b>\$trunc</b> ( <i>expr</i> )	Returns <i>expr</i> rounded toward 0

### 4.10.2 MSP430 Built-In ELF Relocation Generating Operators

The assembler supports MSP430-specific ELF relocation generating built-in operators. The operators are used in compiler-generated code to support symbolic addressing of objects.

`$HI16` and `$LO16` create an ELF relocation representing the high and low 16 bits respectively of a link-time constant (such as an address). These operators are sometimes necessary when treating a 20-bit data or function pointer as a 32-bit unsigned long value.

The argument to these operators must be a relocatable constant expression.

#### Example:

The following C function, when compiled for EABI in large data model, will generate the following assembly code to load the appropriate 32-bit value into the return registers.

```
/* cl430 --abi=eabi -ml -vmspx */
extern int xyz;
unsigned long func() { return _symval(&xyz); }

    MOV.W # $LO16(xyz), r12
    MOV.W # $HI16(xyz), r13 ; after this instruction, the register
                          ; pair r13:r12 holds the 32-bit value of &x.
    RETA
```

## 4.11 Source Listings

A source listing shows source statements and the object code they produce. To obtain a listing file, invoke the assembler with the `--asm_listing` option (see [Section 4.3](#)).

Two banner lines, a blank line, and a title line are at the top of each source listing page. Any title supplied by the `.title` directive is printed on the title line. A page number is printed to the right of the title. If you do not use the `.title` directive, the name of the source file is printed. The assembler inserts a blank line below the title line.

Each line in the source file produces at least one line in the listing file. This line shows a source statement number, an SPC value, the object code assembled, and the source statement. [Figure 4-2](#) shows these in an actual listing file.

### Field 1: Source Statement Number

#### Line number

The source statement number is a decimal number. The assembler numbers source lines as it encounters them in the source file; some statements increment the line counter but are not listed. (For example, `.title` statements and statements following a `.nolist` are not listed.) The difference between two consecutive source line numbers indicates the number of intervening statements in the source file that are not listed.

#### Include file letter

A letter preceding the line number indicates the line is assembled from the include file designated by the letter.

#### Nesting level number

A number preceding the line number indicates the nesting level of macro expansions or loop blocks.

### Field 2: Section Program Counter

This field contains the SPC value, which is hexadecimal. All sections (`.text`, `.data`, `.bss`, and named sections) maintain separate SPCs. Some directives do not affect the SPC and leave this field blank.

**Field 3: Object Code**

This field contains the hexadecimal representation of the object code. All machine instructions and directives use this field to list object code. This field also indicates the relocation type associated with an operand for this line of source code. If more than one operand is relocatable, this column indicates the relocation type for the first operand. The characters that can appear in this column and their associated relocation types are listed below:

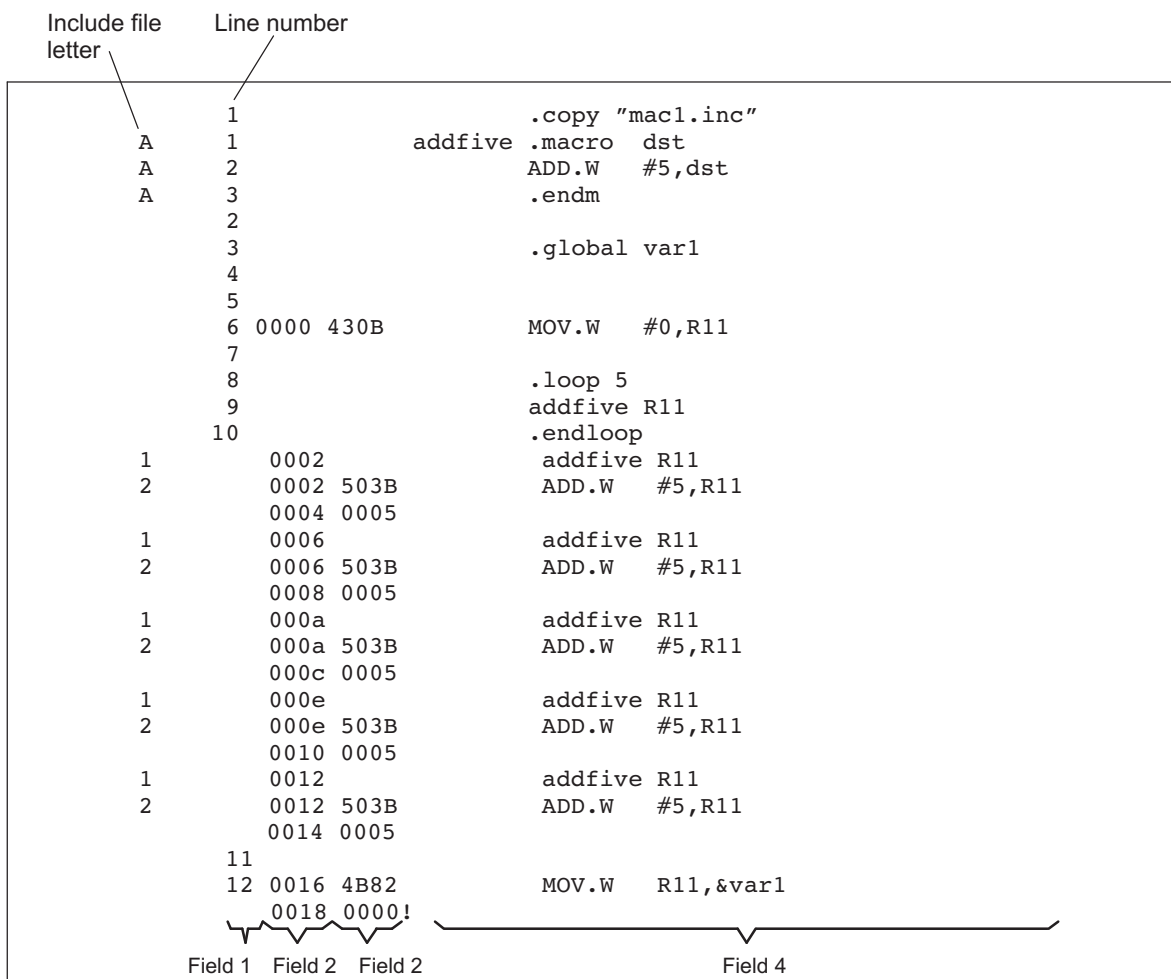
- ! undefined external reference
- ' .text relocatable
- + .sect relocatable
- " .data relocatable
- .bss, .usect relocatable
- % relocation expression

**Field 4: Source Statement Field**

This field contains the characters of the source statement as they were scanned by the assembler. The assembler accepts a maximum line length of 200 characters. Spacing in this field is determined by the spacing in the source statement.

Figure 4-2 shows an assembler listing with each of the four fields identified.

**Figure 4-2. Example Assembler Listing**



## 4.12 Debugging Assembly Source

By default, when you compile an assembly file, the assembler provides symbolic debugging information that allows you to step through your assembly code in a debugger rather than using the Disassembly window in Code Composer Studio. This enables you to view source comments and other source-code annotations while debugging. The default has the same behavior as using the `--symdebug:dwarf` option. You can disable the generation of debugging information by using the `--symdebug:none` option.

The `.asmfunc` and `.endasmfunc` (see [.asmfunc directive](#)) directives enable you to use C characteristics in assembly code that makes the process of debugging an assembly file more closely resemble debugging a C/C++ source file.

The `.asmfunc` and `.endasmfunc` directives allow you to name certain areas of your code, and make these areas appear in the debugger as C functions. Contiguous sections of assembly code that are not enclosed by the `.asmfunc` and `.endasmfunc` directives are automatically placed in assembler-defined functions named with this syntax:

`$ filename : starting source line : ending source line $`

If you want to view your variables as a user-defined type in C code, the types must be declared and the variables must be defined in a C file. This C file can then be referenced in assembly code using the `.ref` directive (see [.ref directive](#)). [Example 4-3](#) shows the `cvars.c` C program that defines a variable, `svar`, as the structure type `X`. The `svar` variable is then referenced in the `addfive.asm` assembly program in [Example 4-4](#) and 5 is added to `svar`'s second data member.

Compile both source files with the `--symdebug:dwarf` option (`-g`) and link them as follows:

```
cl430 --symdebug:dwarf cvars.c addfive.asm --run_linker --library=lnk.cmd --library=rts430.lib
      --output_file=addfive.out
```

When you load this program into a symbolic debugger, `addfive` appears as a C function. You can monitor the values in `svar` while stepping through `main` just as you would any regular C variable.

### Example 4-3. Viewing Assembly Variables as C Types C Program

```
typedef struct {
    int m1;
    int m2;
} X;
X svar = { 1, 2 };
```

### Example 4-4. Assembly Program for [Example 4-3](#)

```
.ref svar

.global addfive

addfive: .asmfunc
MOV #5,R12
ADD R12,&svar
ADD R12,&svar + 2
RET
.endasmfunc
```



### 4.13 Cross-Reference Listings

A cross-reference listing shows symbols and their definitions. To obtain a cross-reference listing, invoke the assembler with the `--asm_listing_cross_reference` option (see [Section 4.3](#)) or use the `.option` directive with the X operand (see [Select Listing Options](#)). The assembler appends the cross-reference to the end of the source listing. [Example 4-5](#) shows the four fields contained in the cross-reference listing.

#### **Example 4-5. An Assembler Cross-Reference Listing**

LABEL	VALUE	DEFN	REF	
.MSP430	0001	0		
.msp430	0001	0		
addfive	0000'	6	3	
svar	REF	1	7	8

<b>Label</b>	column contains each symbol that was defined or referenced during the assembly.
<b>Value</b>	column contains an 8-digit hexadecimal number (which is the value assigned to the symbol) or a name that describes the symbol's attributes. A value may also be preceded by a character that describes the symbol's attributes. <a href="#">Table 4-6</a> lists these characters and names.
<b>Definition</b>	(DEFN) column contains the statement number that defines the symbol. This column is blank for undefined symbols.
<b>Reference</b>	(REF) column lists the line numbers of statements that reference the symbol. A blank in this column indicates that the symbol was never used.

**Table 4-6. Symbol Attributes**

Character or Name	Meaning
REF	External reference (global symbol)
UNDF	Undefined
'	Symbol defined in a .text section
"	Symbol defined in a .data section
+	Symbol defined in a .sect section
-	Symbol defined in a .bss or .usect section

## Assembler Directives

Assembler directives supply data to the program and control the assembly process. Assembler directives enable you to do the following:

- Assemble code and data into specified sections
- Reserve space in memory for uninitialized variables
- Control the appearance of listings
- Initialize memory
- Assemble conditional blocks
- Define global variables
- Specify libraries from which the assembler can obtain macros
- Examine symbolic debugging information

This chapter is divided into two parts: the first part ([Section 5.1](#) through [Section 5.11](#)) describes the directives according to function, and the second part ([Section 5.12](#)) is an alphabetical reference.

Topic	Page
<b>5.1 Directives Summary .....</b>	<b>67</b>
<b>5.2 Directives that Define Sections .....</b>	<b>71</b>
<b>5.3 Directives that Initialize Values .....</b>	<b>72</b>
<b>5.4 Directives that Perform Alignment and Reserve Space .....</b>	<b>75</b>
<b>5.5 Directives that Format the Output Listings .....</b>	<b>76</b>
<b>5.6 Directives that Reference Other Files .....</b>	<b>77</b>
<b>5.7 Directives that Enable Conditional Assembly .....</b>	<b>77</b>
<b>5.8 Directives that Define Union or Structure Types .....</b>	<b>78</b>
<b>5.9 Directives that Define Enumerated Types.....</b>	<b>78</b>
<b>5.10 Directives that Define Symbols at Assembly Time.....</b>	<b>78</b>
<b>5.11 Miscellaneous Directives.....</b>	<b>79</b>
<b>5.12 Directives Reference.....</b>	<b>80</b>

## 5.1 Directives Summary

Table 5-1 through Table 5-16 summarize the assembler directives.

Besides the assembler directives documented here, the MSP430 software tools support the following directives:

- Macro directives are discussed in [Chapter 6](#); they are not discussed in this chapter.
- The C compiler uses directives for symbolic debugging. Unlike other directives, symbolic debugging directives are not used in most assembly language programs. [Appendix A](#) discusses these directives; they are not discussed in this chapter.

---

### Labels and Comments Are Not Shown in Syntaxes

**NOTE:** Most source statements that contain a directive can also contain a label and a comment. Labels begin in the first column (only labels and comments can appear in the first column), and comments must be preceded by a semicolon, or an asterisk if the comment is the only element in the line. To improve readability, labels and comments are not shown as part of the directive syntax here. See the detailed description of each directive for using labels with directives.

---

**Table 5-1. Directives that Control Section Use**

Mnemonic and Syntax	Description	See
<b>.bss</b> <i>symbol, size in bytes[, alignment]</i>	Reserves <i>size</i> bytes in the .bss (uninitialized data) section	<a href="#">.bss topic</a>
<b>.data</b>	Assembles into the .data (initialized data) section	<a href="#">.data topic</a>
<b>.intvec</b>	Creates an interrupt vector entry in a named section that points to an interrupt routine name.	<a href="#">.intvec topic</a>
<b>.sect</b> "section name"	Assembles into a named (initialized) section	<a href="#">.sect topic</a>
<b>.text</b>	Assembles into the .text (executable code) section	<a href="#">.text topic</a>
<i>symbol</i> <b>.usect</b> "section name", <i>size in bytes</i> [, <i>alignment</i> ]	Reserves <i>size</i> bytes in a named (uninitialized) section	<a href="#">.usect topic</a>

**Table 5-2. Directives that Gather Sections into Common Groups**

Mnemonic and Syntax	Description	See
<b>.endgroup</b>	Ends the group declaration.	<a href="#">.endgroup topic</a>
<b>.gmember</b> <i>section name</i>	Designates <i>section name</i> as a member of the group.	<a href="#">.gmember topic</a>
<b>.group</b> <i>group section name group type</i> :	Begins a group declaration.	<a href="#">.group topic</a>

**Table 5-3. Directives that Affect Unused Section Elimination**

Mnemonic and Syntax	Description	See
<b>.retain</b> "section name"	Instructs the linker to include the current or specified section in the linked output file, regardless of whether the section is referenced or not	<a href="#">.retain topic</a>
<b>.retainrefs</b> "section name"	Instructs the linker to include any data object that references the current or specified section.	<a href="#">.retain topic</a>

**Table 5-4. Directives that Initialize Values (Data and Memory)**

Mnemonic and Syntax	Description	See
<b>.bits</b> <i>value<sub>1</sub>[, ... , value<sub>n</sub>]</i>	Initializes one or more successive bits in the current section	<a href="#">.bits topic</a>
<b>.byte</b> <i>value<sub>1</sub>[, ... , value<sub>n</sub>]</i>	Initializes one or more successive bytes in the current section	<a href="#">.byte topic</a>
<b>.char</b> <i>value<sub>1</sub>[, ... , value<sub>n</sub>]</i>	Initializes one or more successive bytes in the current section	<a href="#">.char topic</a>
<b>.cstring</b> { <i>expr<sub>1</sub></i> "string <sub>1</sub> "[,... , { <i>expr<sub>n</sub></i> "string <sub>n</sub> "}]}	Initializes one or more text strings	<a href="#">.string topic</a>

**Table 5-4. Directives that Initialize Values (Data and Memory) (continued)**

Mnemonic and Syntax	Description	See
<b>.double</b> <i>value</i> <sub>1</sub> [, ... , <i>value</i> <sub><i>n</i></sub> ]	Initializes one or more 64-bit, IEEE double-precision, floating-point constants	<a href="#">.double topic</a>
<b>.field</b> <i>value</i> [, <i>size</i> ]	Initializes a field of <i>size</i> bits (1-32) with <i>value</i>	<a href="#">.field topic</a>
<b>.float</b> <i>value</i> <sub>1</sub> [, ... , <i>value</i> <sub><i>n</i></sub> ]	Initializes one or more 32-bit, IEEE single-precision, floating-point constants	<a href="#">.float topic</a>
<b>.half</b> <i>value</i> <sub>1</sub> [, ... , <i>value</i> <sub><i>n</i></sub> ]	Initializes one or more 16-bit integers (halfword)	<a href="#">.half topic</a>
<b>.int</b> <i>value</i> <sub>1</sub> [, ... , <i>value</i> <sub><i>n</i></sub> ]	Initializes one or more 16-bit integers	<a href="#">.int topic</a>
<b>.long</b> <i>value</i> <sub>1</sub> [, ... , <i>value</i> <sub><i>n</i></sub> ]	Initializes one or more 32-bit integers	<a href="#">.long topic</a>
<b>.short</b> <i>value</i> <sub>1</sub> [, ... , <i>value</i> <sub><i>n</i></sub> ]	Initializes one or more 16-bit integers (halfword)	<a href="#">.short topic</a>
<b>.string</b> ( <i>expr</i> <sub>1</sub> " <i>string</i> <sub>1</sub> "[, ... , { <i>expr</i> <sub><i>n</i></sub> " <i>string</i> <sub><i>n</i></sub> "}]	Initializes one or more text strings	<a href="#">.string topic</a>
<b>.ubyte</b> <i>value</i> <sub>1</sub> [, ... , <i>value</i> <sub><i>n</i></sub> ]	Initializes one or more successive unsigned bytes in the current section	<a href="#">.ubyte topic</a>
<b>.uchar</b> <i>value</i> <sub>1</sub> [, ... , <i>value</i> <sub><i>n</i></sub> ]	Initializes one or more successive unsigned bytes in the current section	<a href="#">.uchar topic</a>
<b>.uhalf</b> <i>value</i> <sub>1</sub> [, ... , <i>value</i> <sub><i>n</i></sub> ]	Initializes one or more unsigned 16-bit integers (halfword)	<a href="#">.uhalf topic</a>
<b>.uint</b> <i>value</i> <sub>1</sub> [, ... , <i>value</i> <sub><i>n</i></sub> ]	Initializes one or more unsigned 32-bit integers	<a href="#">.uint topic</a>
<b>.ulong</b> <i>value</i> <sub>1</sub> [, ... , <i>value</i> <sub><i>n</i></sub> ]	Initializes one or more unsigned 32-bit integers	<a href="#">.long topic</a>
<b>.ushort</b> <i>value</i> <sub>1</sub> [, ... , <i>value</i> <sub><i>n</i></sub> ]	Initializes one or more unsigned 16-bit integers (halfword)	<a href="#">.short topic</a>
<b>.uword</b> <i>value</i> <sub>1</sub> [, ... , <i>value</i> <sub><i>n</i></sub> ]	Initializes one or more unsigned 16-bit integers	<a href="#">.uword topic</a>
<b>.word</b> <i>value</i> <sub>1</sub> [, ... , <i>value</i> <sub><i>n</i></sub> ]	Initializes one or more 16-bit integers	<a href="#">.word topic</a>

**Table 5-5. Directives that Perform Alignment and Reserve Space**

Mnemonic and Syntax	Description	See
<b>.align</b> [ <i>size in bytes</i> ]	Aligns the SPC on a boundary specified by <i>size in bytes</i> , which must be a power of 2; defaults to word (2-byte) boundary	<a href="#">.align topic</a>
<b>.bes</b> <i>size</i>	Reserves <i>size</i> bytes in the current section; a label points to the end of the reserved space	<a href="#">.bes topic</a>
<b>.space</b> <i>size</i>	Reserves <i>size</i> bytes in the current section; a label points to the beginning of the reserved space	<a href="#">.space topic</a>

**Table 5-6. Directives that Format the Output Listing**

Mnemonic and Syntax	Description	See
<b>.drlist</b>	Enables listing of all directive lines (default)	<a href="#">.drlist topic</a>
<b>.drnolist</b>	Suppresses listing of certain directive lines	<a href="#">.drnolist topic</a>
<b>.fclist</b>	Allows false conditional code block listing (default)	<a href="#">.fclist topic</a>
<b>.fcnolist</b>	Suppresses false conditional code block listing	<a href="#">.fcnolist topic</a>
<b>.length</b> [ <i>page length</i> ]	Sets the page length of the source listing	<a href="#">.length topic</a>
<b>.list</b>	Restarts the source listing	<a href="#">.list topic</a>
<b>.mlist</b>	Allows macro listings and loop blocks (default)	<a href="#">.mlist topic</a>
<b>.mnolist</b>	Suppresses macro listings and loop blocks	<a href="#">.mnolist topic</a>
<b>.nolist</b>	Stops the source listing	<a href="#">.nolist topic</a>
<b>.option</b> <i>option</i> <sub>1</sub> [, <i>option</i> <sub>2</sub> , . . . ]	Selects output listing options; available options are A, B, H, M, N, O, R, T, W, and X	<a href="#">.option topic</a>
<b>.page</b>	Ejects a page in the source listing	<a href="#">.page topic</a>
<b>.sslist</b>	Allows expanded substitution symbol listing	<a href="#">.sslist topic</a>
<b>.ssnolist</b>	Suppresses expanded substitution symbol listing (default)	<a href="#">.ssnolist topic</a>
<b>.tab</b> <i>size</i>	Sets tab to <i>size</i> characters	<a href="#">.tab topic</a>
<b>.title</b> " <i>string</i> "	Prints a title in the listing page heading	<a href="#">.title topic</a>

**Table 5-6. Directives that Format the Output Listing (continued)**

Mnemonic and Syntax	Description	See
<code>.width [page width]</code>	Sets the page width of the source listing	<a href="#">.width topic</a>

**Table 5-7. Directives that Reference Other Files**

Mnemonic and Syntax	Description	See
<code>.copy ["filename"]</code>	Includes source statements from another file	<a href="#">.copy topic</a>
<code>.include ["filename"]</code>	Includes source statements from another file	<a href="#">.include topic</a>
<code>.mlib ["filename"]</code>	Specifies a macro library from which to retrieve macro definitions	<a href="#">.mlib topic</a>

**Table 5-8. Directives that Affect Symbol Linkage and Visibility**

Mnemonic and Syntax	Description	See
<code>.common symbol, size in bytes [, alignment]</code> <code>.common symbol, structure tag [, alignment]</code>	Defines a common symbol for a variable.	<a href="#">.common topic</a>
<code>.def symbol<sub>1</sub>[, ... , symbol<sub>n</sub>]</code>	Identifies one or more symbols that are defined in the current module and that can be used in other modules.	<a href="#">.def topic</a>
<code>.global symbol<sub>1</sub>[, ... , symbol<sub>n</sub>]</code>	Identifies one or more global (external) symbols.	<a href="#">.global topic</a>
<code>.ref symbol<sub>1</sub>[, ... , symbol<sub>n</sub>]</code>	Identifies one or more symbols used in the current module that are defined in another module.	<a href="#">.ref topic</a>
<code>.symdepend dst symbol name[, src symbol name]</code>	Creates an artificial reference from a section to a symbol.	<a href="#">.symdepend topic</a>
<code>.weak symbol name</code>	Identifies a symbol used in the current module that is defined in another module.	<a href="#">.weak topic</a>

**Table 5-9. Directives that Enable Conditional Assembly**

Mnemonic and Syntax	Description	See
<code>.if condition</code>	Assembles code block if the <i>condition</i> is true	<a href="#">.if topic</a>
<code>.else</code>	Assembles code block if the <i>.if condition</i> is false. When using the <i>.if</i> construct, the <i>.else</i> construct is optional.	<a href="#">.else topic</a>
<code>.elseif condition</code>	Assembles code block if the <i>.if condition</i> is false and the <i>.elseif condition</i> is true. When using the <i>.if</i> construct, the <i>.elseif</i> construct is optional.	<a href="#">.elseif topic</a>
<code>.endif</code>	Ends <i>.if</i> code block	<a href="#">.endif topic</a>
<code>.loop [count]</code>	Begins repeatable assembly of a code block; the loop count is determined by the <i>count</i> .	<a href="#">.loop topic</a>
<code>.break [end condition]</code>	Ends <i>.loop</i> assembly if <i>end condition</i> is true. When using the <i>.loop</i> construct, the <i>.break</i> construct is optional.	<a href="#">.break topic</a>
<code>.endloop</code>	Ends <i>.loop</i> code block	<a href="#">.endloop topic</a>

**Table 5-10. Directives that Define Structure Types**

Mnemonic and Syntax	Description	See
<code>.emember</code>	Sets up C-like enumerated types in assembly code	<a href="#">Section 5.9</a>
<code>.endenum</code>	Sets up C-like enumerated types in assembly code	<a href="#">Section 5.9</a>
<code>.endstruct</code>	Ends a structure definition	<a href="#">.struct topic</a>
<code>.enum</code>	Sets up C-like enumerated types in assembly code	<a href="#">Section 5.9</a>
<code>.struct</code>	Begins structure definition	<a href="#">.struct topic</a>
<code>.tag</code>	Assigns structure attributes to a label	<a href="#">.struct topic</a>

**Table 5-11. Directives that Define Symbols at Assembly Time**

Mnemonic and Syntax	Description	See
<b>.asg</b> [" <i>character string</i> "], <i>substitution symbol</i>	Assigns a character string to <i>substitution symbol</i> . Substitution symbols created with <b>.asg</b> can be redefined.	<a href="#">.asg topic</a>
<b>.define</b> [" <i>character string</i> "], <i>substitution symbol</i>	Assigns a character string to <i>substitution symbol</i> . Substitution symbols created with <b>.define</b> cannot be redefined.	<a href="#">.asg topic</a>
<i>symbol</i> <b>.equ</b> <i>value</i>	Equates <i>value</i> with <i>symbol</i>	<a href="#">.equ topic</a>
<b>.elfsym</b> <i>name</i> , SYM_SIZE( <i>size</i> )	Provides ELF symbol information	<a href="#">.elfsym topic</a>
<b>.eval</b> <i>expression</i> , <i>substitution symbol</i>	Performs arithmetic on a numeric <i>substitution symbol</i>	<a href="#">.eval topic</a>
<b>.label</b> <i>symbol</i>	Defines a load-time relocatable label in a section	<a href="#">.label topic</a>
<b>.newblock</b>	Undefines local labels	<a href="#">.newblock topic</a>
<i>symbol</i> <b>.set</b> <i>value</i>	Equates <i>value</i> with <i>symbol</i>	<a href="#">.set topic</a>
<b>.unasg</b> <i>symbol</i>	Turns off assignment of <i>symbol</i> as a substitution symbol	<a href="#">.unasg topic</a>
<b>.undefine</b> <i>symbol</i>	Turns off assignment of <i>symbol</i> as a substitution symbol	<a href="#">.unasg topic</a>

**Table 5-12. Directives that Create or Affect Macros**

Mnemonic and Syntax	Description	See
<i>macname</i> <b>.macro</b> [ <i>parameter</i> <sub>1</sub> ][, ... , <i>parameter</i> <sub><i>n</i></sub> ]	Begin definition of macro named <i>macname</i>	<a href="#">.macro topic</a>
<b>.endm</b>	End macro definition	<a href="#">.endm topic</a>
<b>.mexit</b>	Go to <b>.endm</b>	<a href="#">Section 6.2</a>
<b>.mlib</b> <i>filename</i>	Identify library containing macro definitions	<a href="#">.mlib topic</a>
<b>.var</b>	Adds a local substitution symbol to a macro's parameter list	<a href="#">.var topic</a>

**Table 5-13. Directives that Control Diagnostics**

Mnemonic and Syntax	Description	See
<b>.emsg</b> <i>string</i>	Sends user-defined error messages to the output device; produces no <b>.obj</b> file	<a href="#">.emsg topic</a>
<b>.mmsg</b> <i>string</i>	Sends user-defined messages to the output device	<a href="#">.mmsg topic</a>
<b>.wmsg</b> <i>string</i>	Sends user-defined warning messages to the output device	<a href="#">.wmsg topic</a>

**Table 5-14. Directives that Perform Assembly Source Debug**

Mnemonic and Syntax	Description	See
<b>.asmfunc</b>	Identifies the beginning of a block of code that contains a function	<a href="#">.asmfunc topic</a>
<b>.endasmfunc</b>	Identifies the end of a block of code that contains a function	<a href="#">.endasmfunc topic</a>

**Table 5-15. Directives that Are Used by the Absolute Lister**

Mnemonic and Syntax	Description	See
<b>.setsect</b>	Produced by absolute lister; sets a section	<a href="#">Chapter 9</a>
<b>.setsym</b>	Produced by the absolute lister; sets a symbol	<a href="#">Chapter 9</a>

**Table 5-16. Directives that Perform Miscellaneous Functions**

Mnemonic and Syntax	Description	See
<b>.cdecls</b> [ <i>options</i> ,]" <i>filename</i> "[, " <i>filename2</i> "[, ...]	Share C headers between C and assembly code	<a href="#">.cdecls topic</a>
<b>.end</b>	Ends program	<a href="#">.end topic</a>

In addition to the assembly directives that you can use in your code, the C/C++ compiler produces several directives when it creates assembly code. These directives are to be used only by the compiler; do not attempt to use these directives.

- DWARF directives listed in [Section A.1](#)
- The **.bound** directive is used internally.
- The **.comdat** directive is used internally.
- The **.compiler\_opts** directive indicates that the assembly code was produced by the compiler, and which build model options were used for this file.

## 5.2 Directives that Define Sections

These directives associate portions of an assembly language program with the appropriate sections:

- The **.bss** directive reserves space in the `.bss` section for uninitialized variables.
- The **.data** directive identifies portions of code in the `.data` section. The `.data` section usually contains initialized data.
- The **.intvec** directive creates an interrupt vector entry that points to an interrupt routine name.
- The **.retain** directive can be used to indicate that the current or specified section must be included in the linked output. Thus even if no other sections included in the link reference the current or specified section, it is still included in the link.
- The **.retainrefs** directive can be used to force sections that refer to the specified section. This is useful in the case of interrupt vectors.
- The **.sect** directive defines an initialized named section and associates subsequent code or data with that section. A section defined with `.sect` can contain code or data.
- The **.text** directive identifies portions of code in the `.text` section. The `.text` section usually contains executable code.
- The **.usect** directive reserves space in an uninitialized named section. The `.usect` directive is similar to the `.bss` directive, but it allows you to reserve space separately from the `.bss` section.

[Chapter 2](#) discusses these sections in detail.

[Example 5-1](#) shows how you can use sections directives to associate code and data with the proper sections. This is an output listing; column 1 shows line numbers, and column 2 shows the SPC values. (Each section has its own program counter, or SPC.) When code is first placed in a section, its SPC equals 0. When you resume assembling into a section after other code is assembled, the section's SPC resumes counting as if there had been no intervening code.

The directives in [Example 5-1](#) perform the following tasks:

<b>.text</b>	initializes words with the values 1, 2, 3, 4, 5, 6, 7, and 8.
<b>.data</b>	initializes words with the values 9, 10, 11, 12, 13, 14, 15, and 16.
<b>var_defs</b>	initializes words with the values 17 and 18.
<b>.bss</b>	reserves 19 bytes.
<b>xy</b>	reserves 20 bytes.

The `.bss` and `.usect` directives do not end the current section or begin new sections; they reserve the specified amount of space, and then the assembler resumes assembling code or data into the current section.

**Example 5-1. Sections Directives**

```

1          ; Comment1 here : Start assembling ....
2
3 0000          .text
4 0000 0001          .word  1,2
   0002 0002
5 0004 0003          .word  3,4
   0006 0004
6
7          ; Comment 2
8
9 0000          .data
10 0000 0009          .word  9,10
   0002 000A
11 0004 000B          .word  11,12
   0006 000C
12
13          ; Comment 3
14
15 0000          .sect   "var_defs"
16 0000 0011          .word  17,18
   0002 0012
17
18          ; Comment 4
19
20 0008          .data
21 0008 000D          .word  13,14
   000a 000E
22
23 0000          .bss    sym,19
24 000c 000F          .word  15,16
   000e 0010
25
26          ; Comment 5
27
28 0008          .text
29 0008 0005          .word  5,6
   000a 0006
30 0000 usym          .usect "xy",20
31 000c 0007          .word  7,8
   000e 0008
    
```

### 5.3 Directives that Initialize Values

Several directives assemble values for the current section. For example:

- The **.byte** and **.char** directives place one or more 8-bit values into consecutive bytes of the current section. These directives are similar to **.word**, **.int**, and **.long**, except that the width of each value is restricted to 8 bits.
- The **.double** directive calculates the IEEE format representation of one or more values and stores them in the current section. The stored value is an IEEE 64-bit double-precision floating-point value, and is stored in two words aligned to a word boundary. (MSP430 has no alignment greater than word alignment.)



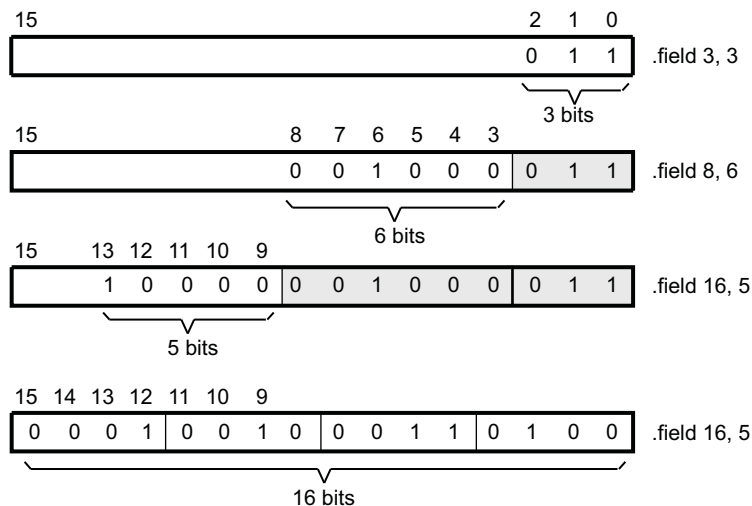
- The **.field** and **.bits** directives place a single value into a specified number of bits in the current word. With **.field**, you can pack multiple fields into a single word; the assembler does not increment the SPC until a word is filled. If a field will not fit in the space remaining in the current word, **.field** will insert zeros to fill the current word and then place the field in the next word. The **.bits** directive is similar but does not force alignment to a field boundary. See the [.field topic](#) and [.bits topic](#).

Figure 5-1 shows how fields are packed into a word. Using the following assembled code, notice that the SPC does not change for the first three fields (the fields are packed into the same word):

```

1 0000 0003      .field 3,3
2 0000 0043      .field 8,6
3 0000 2043      .field 16,5
4 0002 1234      .field 0x1234,16
    
```

**Figure 5-1. The .field Directive**



- The **.float** directive calculates the IEEE format representation of one or more values and stores them in the current section. The stored value is an IEEE 32-bit single-precision floating-point value, and is stored in one word aligned to a word boundary.
- The **.int** and **.word** directives place one or more 16-bit values into consecutive 16-bit values in the current section.
- The **.string** and **.cstring** directives place 8-bit characters from one or more character strings into the current section. The **.string** and **.cstring** directives are similar to **.byte**, placing an 8-bit character in each consecutive byte of the current section. The **.cstring** directive adds a NUL character needed by C; the **.string** directive does not add a NUL character.
- The **.ubyte**, **.uchar**, **.uhalf**, **.uint**, **.ulong**, **.ushort**, and **.uword** directives are provided as unsigned versions of their respective signed directives. These directives are used primarily by the C/C++ compiler to support unsigned types in C/C++.

---

**Directives that Initialize Constants When Used in a .struct/.endstruct Sequence**

**NOTE:** The **.bits**, **.byte**, **.char**, **.word**, **.int**, **.long**, **.ubyte**, **.uchar**, **.uhalf**, **.uint**, **.ulong**, **.ushort**, **.uword**, **.string**, **.double**, **.float**, **.half**, **.short**, and **.field** directives do not initialize memory when they are part of a **.struct/.endstruct** sequence; rather, they define a member's size. For more information, see the [.struct/.endstruct directives](#).

---

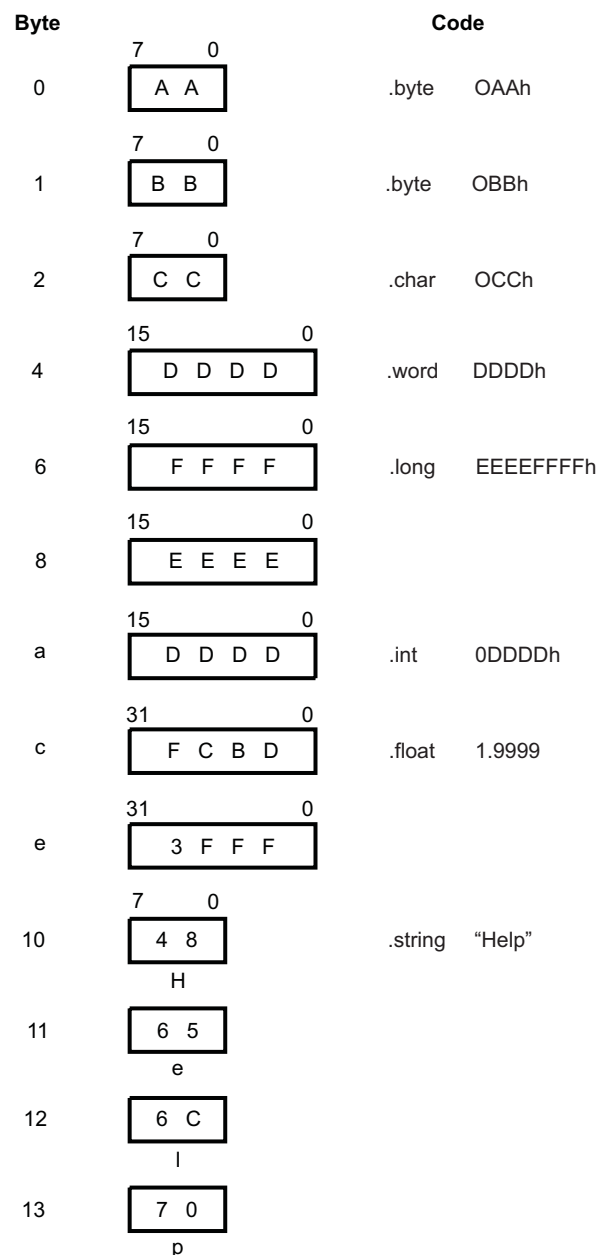
Figure 5-2 compares the .byte, .char, .int, .long, .float, .word, and .string directives using the following assembled code:

```

1 0000 00AA      .byte  0AAh,0BBh
   0001 00BB
2 0002 00CC      .char  0xCC
3 0004 DDDD      .word  0xDDDD
4 0006 FFFF      .long  0xFFFFFFFF
   0008 EEEE
5 000a DDDD      .int   0xDDDD
6 000c FCB9      .float 1.9999
   000e 3FFF
7 0010 0048      .string "Help"
   0011 0065
   0012 006C
   0013 0070

```

**Figure 5-2. Initialization Directives**



## 5.4 Directives that Perform Alignment and Reserve Space

These directives align the section program counter (SPC) or reserve space in a section:

- The **.align** directive aligns the SPC at a 1-byte to 32K-byte boundary. This ensures that the code following the directive begins on the byte value that you specify. If the SPC is already aligned at the selected boundary, it is not incremented. Operands for the **.align** directive must equal a power of 2 between  $2^0$  and  $2^{15}$ , inclusive.

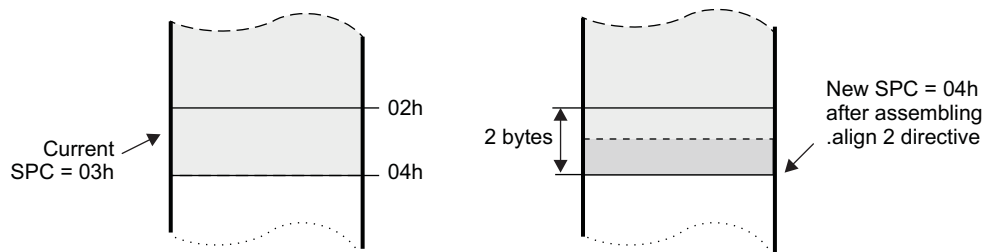
Figure 5-3 demonstrates the **.align** directive. Using the following assembled code:

```

1 0000 0002      .field  2,3
2 0000 005A      .field  11,5
3                .align  2
4 0002 0045      .string "Err"
   0003 0072
   0004 0072
5                .align
6 0006 0004      .byte   4

```

Figure 5-3. The **.align** Directive



- The **.bes** and **.space** directives reserve a specified number of bytes in the current section. The assembler fills these reserved bytes with 0s.
  - When you use a label with **.space**, it points to the *first* byte that contains reserved bits.
  - When you use a label with **.bes**, it points to the *last* byte that contains reserved bits.

Figure 5-4 shows how the **.space** and **.bes** directives work for the following assembled code:

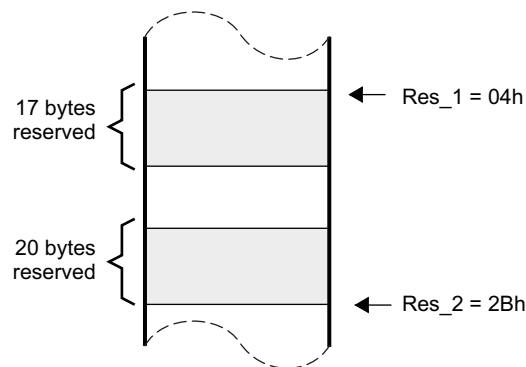
```

1 0000 0100      .word  0x100,0x200
   0002 0200
2 0004          Res_1 .space 17
3 0016 000F      .word  15
4 002b          Res_2 .bes  20
5 002c 00BA      .byte  0xBA

```

Res\_1 points to the first byte in the space reserved by **.space**. Res\_2 points to the last byte in the space reserved by **.bes**.

Figure 5-4. The **.space** and **.bes** Directives



## 5.5 Directives that Format the Output Listings

These directives format the listing file:

- The **.drlist** directive causes printing of the directive lines to the listing; the **.drnolist** directive turns it off for certain directives. You can use the **.drnolist** directive to suppress the printing of the following directives. You can use the **.drlist** directive to turn the listing on again.

<b>.asg</b>	<b>.eval</b>	<b>.length</b>	<b>.mnlolist</b>	<b>.var</b>
<b>.break</b>	<b>.fclist</b>	<b>.mllist</b>	<b>.sslist</b>	<b>.width</b>
<b>.emsg</b>	<b>.fcnolist</b>	<b>.mmsg</b>	<b>.ssnolist</b>	<b>.wmsg</b>

- The source code listing includes false conditional blocks that do not generate code. The **.fclist** and **.fcnolist** directives turn this listing on and off. You can use the **.fclist** directive to list false conditional blocks exactly as they appear in the source code. You can use the **.fcnolist** directive to list only the conditional blocks that are actually assembled.
- The **.length** directive controls the page length of the listing file. You can use this directive to adjust listings for various output devices.
- The **.list** and **.nolist** directives turn the output listing on and off. You can use the **.nolist** directive to prevent the assembler from printing selected source statements in the listing file. Use the **.list** directive to turn the listing on again.
- The source code listing includes macro expansions and loop blocks. The **.mllist** and **.mnlolist** directives turn this listing on and off. You can use the **.mllist** directive to print all macro expansions and loop blocks to the listing, and the **.mnlolist** directive to suppress this listing.
- The **.option** directive controls certain features in the listing file. This directive has the following operands:
  - A** turns on listing of all directives and data, and subsequent expansions, macros, and blocks.
  - B** limits the listing of **.byte** and **.char** directives to one line.
  - H** limits the listing of **.half** and **.short** directives to one line.
  - M** turns off macro expansions in the listing.
  - N** turns off listing (performs **.nolist**).
  - O** turns on listing (performs **.list**).
  - R** resets the **B**, **H**, **M**, **T**, and **W** directives (turns off the limits of **B**, **H**, **M**, **T**, and **W**).
  - T** limits the listing of **.string** directives to one line.
  - W** limits the listing of **.word** and **.int** directives to one line.
  - X** produces a cross-reference listing of symbols. You can also obtain a cross-reference listing by invoking the assembler with the `--asm_listing_cross_reference` option (see [Section 4.3](#)).
- The **.page** directive causes a page eject in the output listing.
- The source code listing includes substitution symbol expansions. The **.sslist** and **.ssnolist** directives turn this listing on and off. You can use the **.sslist** directive to print all substitution symbol expansions to the listing, and the **.ssnolist** directive to suppress this listing. These directives are useful for debugging the expansion of substitution symbols.
- The **.tab** directive defines tab size.
- The **.title** directive supplies a title that the assembler prints at the top of each page.
- The **.width** directive controls the page width of the listing file. You can use this directive to adjust listings for various output devices.

## 5.6 Directives that Reference Other Files

These directives supply information for or about other files that can be used in the assembly of the current file:

- The **.copy** and **.include** directives tell the assembler to begin reading source statements from another file. When the assembler finishes reading the source statements in the copy/include file, it resumes reading source statements from the current file. The statements read from a copied file are printed in the listing file; the statements read from an included file are *not* printed in the listing file.
- The **.def** directive identifies a symbol that is defined in the current module and that can be used in another module. The assembler includes the symbol in the symbol table.
- The **.global** directive declares a symbol external so that it is available to other modules at link time. (For more information about global symbols, see [Section 2.6.1](#)). The **.global** directive does double duty, acting as a **.def** for defined symbols and as a **.ref** for undefined symbols. The linker resolves an undefined global symbol reference only if the symbol is used in the program. The **.global** directive declares a 16-bit symbol.
- The **.mlib** directive supplies the assembler with the name of an archive library that contains macro definitions. When the assembler encounters a macro that is not defined in the current module, it searches for it in the macro library specified with **.mlib**.
- The **.ref** directive identifies a symbol that is used in the current module but is defined in another module. The assembler marks the symbol as an undefined external symbol and enters it in the object symbol table so the linker can resolve its definition. The **.ref** directive forces the linker to resolve a symbol reference.
- The **.symdepend** directive creates an artificial reference from the section defining the source symbol name to the destination symbol. The **.symdepend** directive prevents the linker from removing the section containing the destination symbol if the source symbol section is included in the output module.
- The **.weak** directive identifies a symbol that is used in the current module but is defined in another module. It is equivalent to the **.ref** directive, except that the reference has weak linkage.

## 5.7 Directives that Enable Conditional Assembly

Conditional assembly directives enable you to instruct the assembler to assemble certain sections of code according to a true or false evaluation of an expression. Two sets of directives allow you to assemble conditional blocks of code:

- The **.if/elseif/else/endif** directives tell the assembler to conditionally assemble a block of code according to the evaluation of an expression.
 

<b>.if</b> <i>condition</i>	marks the beginning of a conditional block and assembles code if the <i>condition</i> is true.
<b>[.elseif</b> <i>condition</i> ]	marks a block of code to be assembled if the <i>condition</i> is false and the <b>.elseif</b> condition is true.
<b>.else</b>	marks a block of code to be assembled if the <i>condition</i> is false and any <b>.elseif</b> conditions are false.
<b>.endif</b>	marks the end of a conditional block and terminates the block.
- The **.loop/break/endloop** directives tell the assembler to repeatedly assemble a block of code according to the evaluation of an expression.
 

<b>.loop</b> [ <i>count</i> ]	marks the beginning of a repeatable block of code. The optional expression evaluates to the loop count.
<b>.break</b> [ <i>end condition</i> ]	tells the assembler to assemble repeatedly when the <i>break end condition</i> is false and to go to the code immediately after <b>.endloop</b> when the expression is true or omitted.
<b>.endloop</b>	marks the end of a repeatable block.

The assembler supports several relational operators that are useful for conditional expressions. For more information about relational operators, see [Section 4.9.2](#).

## 5.8 Directives that Define Union or Structure Types

These directives set up specialized types for later use with the `.tag` directive, allowing you to use symbolic names to refer to portions of a complex object. The types created are analogous to the `struct` and `union` types of the C language.

The `.struct` and `.union` directives group related data into an aggregate structure which is more easily accessed. These directives do not allocate space for any object. Objects must be separately allocated, and the `.tag` directive must be used to assign the type to the object.

```

type .struct          ; structure tag definition
X   .int
Y   .int
T_LEN .endstruct

COORD .tag type      ; declare COORD (coordinate)

COORD .space T_LEN   ; actual memory allocation
LDR  R0, COORD.Y     ; load member Y of structure
                        ; COORD into register R0.

```

## 5.9 Directives that Define Enumerated Types

These directives set up specialized types for later use in expressions allowing you to use symbolic names to refer to compile-time constants. The types created are analogous to the `enum` type of the C language. This allows enumerated types to be shared between C and assembly code. See [Chapter 13](#).

See [Section 13.2.10](#) for an example of using `.enum`.

## 5.10 Directives that Define Symbols at Assembly Time

Assembly-time symbol directives equate meaningful symbol names to constant values or strings.

- The **.asg** directive assigns a character string to a substitution symbol. The value is stored in the substitution symbol table. When the assembler encounters a substitution symbol, it replaces the symbol with its character string value. Substitution symbols created with `.asg` can be redefined.

```

.asg "10, 20, 30, 40", coefficients
    ; Assign string to substitution symbol.
.byte coefficients
    ; Place the symbol values 10, 20, 30, and 40
    ; into consecutive bytes in current section.

```

- The **.define** directive assigns a character string to a substitution symbol. The value is stored in the substitution symbol table. When the assembler encounters a substitution symbol, it replaces the symbol with its character string value. Substitution symbols created with `.define` cannot be redefined.
- The **.eval** directive evaluates a well-defined expression, translates the results into a character string, and assigns the character string to a substitution symbol. This directive is most useful for manipulating counters:

```

.asg 1, x ; x = 1
.loop ; Begin conditional loop.
.byte x*10h ; Store value into current section.
.break x = 4 ; Break loop if x = 4.
.eval x+1, x ; Increment x by 1.
.endloop ; End conditional loop.

```

- The **.label** directive defines a special symbol that refers to the load-time address within the current section. This is useful when a section loads at one address but runs at a different address. For example, you may want to load a block of performance-critical code into slower off-chip memory to save space and move the code to high-speed on-chip memory to run. See the [.label topic](#) for an example using a load-time address label.

- The **.set** and **.equ** directives set a constant value to a symbol. The symbol is stored in the symbol table and cannot be redefined; for example:

```
bval .set 0100h    ; Set bval = 0100h
    .long bval, bval*2, bval+12
        ; Store the values 0100h, 0200h, and 010Ch
        ; into consecutive words in current section.
```

The **.set** and **.equ** directives produce no object code. The two directives are identical and can be used interchangeably.

- The **.unasg** directive turns off substitution symbol assignment made with **.asg**.
- The **.undefine** directive turns off substitution symbol assignment made with **.define**.
- The **.var** directive allows you to use substitution symbols as local variables within a macro.

## 5.11 Miscellaneous Directives

These directives enable miscellaneous functions or features:

- The **.asmfunc** and **.endasmfunc** directives mark function boundaries. These directives are used with the compiler `--symdebug:dwarf (-g)` option to generate debug information for assembly functions.
- The **.cdecls** directive enables programmers in mixed assembly and C/C++ environments to share C headers containing declarations and prototypes between C and assembly code.
- The **.end** directive terminates assembly. If you use the **.end** directive, it should be the last source statement of a program. This directive has the same effect as an end-of-file character.
- The **.group**, **.gmember**, and **.endgroup** directives define an ELF group section to be shared by several sections.
- The **.newblock** directive resets local labels. Local labels are symbols of the form `$n`, where `n` is a decimal digit, or of the form `NAME?`, where you specify `NAME`. They are defined when they appear in the label field. Local labels are temporary labels that can be used as operands for jump instructions. The **.newblock** directive limits the scope of local labels by resetting them after they are used. See [Section 4.8.3](#) for information on local labels.

These three directives enable you to define your own error and warning messages:

- The **.emsg** directive sends error messages to the standard output device. The **.emsg** directive generates errors in the same manner as the assembler, incrementing the error count and preventing the assembler from producing an object file.
- The **.mmsg** directive sends assembly-time messages to the standard output device. The **.mmsg** directive functions in the same manner as the **.emsg** and **.wmsg** directives but does not set the error count or the warning count. It does not affect the creation of the object file.
- The **.wmsg** directive sends warning messages to the standard output device. The **.wmsg** directive functions in the same manner as the **.emsg** directive but increments the warning count rather than the error count. It does not affect the creation of the object file.

For more information about using the error and warning directives in macros, see [Section 6.7](#).

## 5.12 Directives Reference

The remainder of this chapter is a reference. Generally, the directives are organized alphabetically, one directive per topic. Related directives (such as `.if/.else/.endif`), however, are presented together in one topic.

### **.align**

#### *Align SPC on the Next Boundary*

#### **Syntax**

**.align** [*size in bytes*]

#### **Description**

The **.align** directive aligns the section program counter (SPC) on the next boundary, depending on the *size in bytes* parameter. The *size* can be any power of 2 between  $2^0$  and  $2^{15}$ , inclusive. An operand of 2 aligns the SPC on the next word boundary, and this is the default if no size is given. For example:

```

2          aligns SPC to word boundary
4          aligns SPC to 2 word boundary
128       aligns SPC to 128-byte boundary
```

Using the `.align` directive has two effects:

- The assembler aligns the SPC on an x-byte boundary *within* the current section.
- The assembler sets a flag that forces the linker to align the section so that individual alignments remain intact when a section is loaded into memory.

#### **Example**

This example shows several types of alignment, including `.align 4`, `.align 8`, and a default `.align`.

```

1 0000 0004      .byte 4
2                .align 2
3 0002 0045      .string "Errorcnt"
  0003 0072
  0004 0072
  0005 006F
  0006 0072
  0007 0063
  0008 006E
  0009 0074
4                .align
5 000a 0003      .field 3,3
6 000a 002B      .field 5,4
7                .align 2
8 000c 0003      .field 3,3
9                .align 8
10 0010 0005     .field 5,4
11               .align
12 0012 0004     .byte 4
```



---

**.asg/.define/.eval      *Assign a Substitution Symbol***


---

**Syntax**

```
.asg "character string",substitution symbol
.define "character string",substitution symbol
.eval expression,substitution symbol
```

**Description**

The **.asg** and **.define** directives assign character strings to substitution symbols. Substitution symbols are stored in the substitution symbol table. The **.asg** directive can be used in many of the same ways as the **.set** directive, but while **.set** assigns a constant value (which cannot be redefined) to a symbol, **.asg** assigns a character string (which can be redefined) to a substitution symbol.

- The assembler assigns the *character string* to the substitution symbol.
- The *substitution symbol* must be a valid symbol name. The substitution symbol is up to 128 characters long and must begin with a letter. Remaining characters of the symbol can be a combination of alphanumeric characters, the underscore (`_`), and the dollar sign (`$`).

The **.define** directive functions in the same manner as the **.asg** directive, except that **.define** disallows creation of a substitution symbol that has the same name as a register symbol or mnemonic. It does not create a new symbol name space in the assembler, rather it uses the existing substitution symbol name space. The **.define** directive is used to prevent corruption of the assembly environment when converting C/C++ headers. See [Chapter 13](#) for more information about using C/C++ headers in assembly source.

The **.eval** directive performs arithmetic on substitution symbols, which are stored in the substitution symbol table. This directive evaluates the *expression* and assigns the string value of the result to the substitution symbol. The **.eval** directive is especially useful as a counter in **.loop/.endloop** blocks.

- The *expression* is a well-defined alphanumeric expression in which all symbols have been previously defined in the current source module, so that the result is an absolute expression.
- The *substitution symbol* must be a valid symbol name. The substitution symbol is up to 128 characters long and must begin with a letter. Remaining characters of the symbol can be a combination of alphanumeric characters, the underscore (`_`), and the dollar sign (`$`).

See the [.unasg/.undefine](#) topic for information on turning off a substitution symbol.

**Example**

This example shows how `.asg` and `.eval` can be used.

```

1          .sslist          ; show expanded sub. symbols
2          ; using .asg and .eval
3
4          .asg      R12, LOCALSTACK
5          .asg      &, AND
6
7 0000 503C      ADD      #280 AND 255, LOCALSTACK
#          ADD      #280 & 255, R12
          0002 0018
8
9          .asg      0,x
10         .loop     5
11         .eval     x+1, x
12         .word     x
13         .endloop
1         .eval     x+1, x
#         .eval     0+1, x
1         0004 0001      .word     x
#         .word     1
1         .eval     x+1, x
#         .eval     1+1, x
1         0006 0002      .word     x
#         .word     2
1         .eval     x+1, x
#         .eval     2+1, x
1         0008 0003      .word     x
#         .word     3
1         .eval     x+1, x
#         .eval     3+1, x
1         000a 0004      .word     x
#         .word     4
1         .eval     x+1, x
#         .eval     4+1, x
1         000c 0005      .word     x
#         .word     5

```



**.bits**
***Initialize Bits***
**Syntax**
**.bits** *value*[, *size in bits*]

**Description**

The **.bits** directive places a value into consecutive bits of the current section.

The **.bits** directive is similar to the **.field** directive (see [.field topic](#) ). However, the **.bits** directive does not force the value to be aligned to a field boundary. If the **.bits** directive is followed by a different space-creating directive, the SPC is aligned to an appropriate value for the directive that follows.

This directive has two operands:

- The *value* is a required parameter; it is an expression that is evaluated and placed in the current section at the current location. The value must be absolute.
- The *size in bits* is an optional parameter; it specifies a number from 1 to 32, which is the number of bits in the value. The default size is 16 bits. If you specify a value that cannot fit in *size in bits*, the assembler truncates the value and issues a warning message. For example, **.bits 3,1** causes the assembler to truncate the value 3 to 1; the assembler also prints the message:

```
*** WARNING! line 21: W0001: Field value truncated to 1
      .bits 3, 1
```

## **.bss** *Reserve Space in the .bss Section*

**Syntax** `.bss symbol, size in bytes[, alignment]`

**Description**

The **.bss** directive reserves space for variables in the `.bss` section. This directive is usually used to allocate space in RAM.

This directive is similar to the `.usect` directive (see [.usect topic](#)); both simply reserve space for data and that space has no contents. However, `.usect` defines additional sections that can be placed anywhere in memory, independently of the `.bss` section.

- The *symbol* is a required parameter. It defines a symbol that points to the first location reserved by the directive. The symbol name must correspond to the variable that you are reserving space for.
- The *size in bytes* is a required parameter; it must be an absolute constant expression. The assembler allocates size bytes in the `.bss` section. There is no default size.
- The *alignment* is an optional parameter that ensures that the space allocated to the symbol occurs on the specified boundary. The boundary must be set to a power of 2 between  $2^0$  and  $2^{15}$ , inclusive. If the SPC is already aligned at the specified boundary, it is not incremented.

For more information about sections, see [Chapter 2](#).

**Example**

In this example, the `.bss` directive allocates space for two variables, `TEMP` and `ARRAY`. The symbol `TEMP` points to four bytes of uninitialized space (at `.bss SPC = 0`). The symbol `ARRAY` points to 100 bytes of uninitialized space (at `.bss SPC = 04h`). Symbols declared with the `.bss` directive can be referenced in the same manner as other symbols and can also be declared external.

```

1          *****
2          ** Start assembling into the .text section. **
3          *****
4 0000          .text
5 0000 430A      MOV     #0, R10
6
7          *****
8          ** Allocate 4 bytes in .bss for TEMP. **
9          *****
10 0000      Var_1: .bss   TEMP, 4
11
12          *****
13          ** Still in .text. **
14          *****
15 0002 503B      ADD     #56h, R11
    0004 0056
16 0006 5C0B      ADD     R12, R11
17
18          *****
19          ** Allocate 100 bytes in .bss for the symbol **
20          ** named ARRAY. **
21          *****
22 0004          .bss   ARRAY, 100, 4
23
24          *****
25          ** Assemble more code into .text. **
26          *****
27 0008 4130      RET
28
29          *****
30          ** Declare external .bss symbols. **
31          *****
32          .global ARRAY, TEMP
33          .end

```

---

**.byte/.ubyte/.char/.uchar Initialize Byte**


---

**Syntax**

```
.byte value1[, ... , valuen ]
.ubyte value1[, ... , valuen ]
.char value1[, ... , valuen ]
.uchar value1[, ... , valuen ]
```

**Description**

The **.byte**, **.ubyte**, **.char**, and **.uchar** directives place one or more values into consecutive bytes of the current section. A *value* can be one of the following:

- An expression that the assembler evaluates and treats as an 8-bit signed number
- A character string enclosed in double quotes. Each character in a string represents a separate value, and values are stored in consecutive bytes. The entire string *must* be enclosed in quotes.

The assembler truncates values greater than eight bits.

If you use a label, it points to the location of the first byte that is initialized.

When you use these directives in a **.struct/.endstruct** sequence, they define a member's size; they do not initialize memory. For more information, see the [.struct/.endstruct/.tag topic](#).

**Example**

In this example, 8-bit values (10, -1, abc, and a) are placed into consecutive bytes in memory with **.byte**. Also, 8-bit values (8, -3, def, and b) are placed into consecutive bytes in memory with **.char**. The label STRX has the value 0h, which is the location of the first initialized byte. The label STRY has the value 6h, which is the first byte initialized by the **.char** directive.

```
1 0000                .space 100h
2 0100 000A STRX     .byte 10, -1, "abc", 'a'
   0101 00FF
   0102 0061
   0103 0062
   0104 0063
   0105 0061
3 0106 0008                .char 8, -3, "def", 'b'
   0107 00FD
   0108 0064
   0109 0065
   010a 0066
   010b 0062
```

## **.cdecls** *Share C Headers Between C and Assembly Code*

### Syntax

#### Single Line:

```
.cdecls [options ,] " filename "[, " filename2 "[,...]]
```

### Syntax

#### Multiple Lines:

```
.cdecls [options]  
  
%{  
/*-----*/  
/* C/C++ code - Typically a list of #includes and a few defines */  
/*-----*/  
%}
```

### Description

The **.cdecls** directive allows programmers in mixed assembly and C/C++ environments to share C headers containing declarations and prototypes between the C and assembly code. Any legal C/C++ can be used in a **.cdecls** block and the C/C++ declarations cause suitable assembly to be generated automatically, allowing you to reference the C/C++ constructs in assembly code; such as calling functions, allocating space, and accessing structure members; using the equivalent assembly mechanisms. While function and variable definitions are ignored, most common C/C++ elements are converted to assembly, for instance: enumerations, (non-function-like) macros, function and variable prototypes, structures, and unions.

The **.cdecls** options control whether the code is treated as C or C++ code; and how the **.cdecls** block and converted code are presented. Options must be separated by commas; they can appear in any order:

<b>C</b>	Treat the code in the <b>.cdecls</b> block as C source code (default).
<b>CPP</b>	Treat the code in the <b>.cdecls</b> block as C++ source code. This is the opposite of the C option.
<b>NOLIST</b>	Do not include the converted assembly code in any listing file generated for the containing assembly file (default).
<b>LIST</b>	Include the converted assembly code in any listing file generated for the containing assembly file. This is the opposite of the NOLIST option.
<b>NOWARN</b>	Do not emit warnings on STDERR about C/C++ constructs that cannot be converted while parsing the <b>.cdecls</b> source block (default).
<b>WARN</b>	Generate warnings on STDERR about C/C++ constructs that cannot be converted while parsing the <b>.cdecls</b> source block. This is the opposite of the NOWARN option.

In the single-line format, the options are followed by one or more filenames to include. The filenames and options are separated by commas. Each file listed acts as if **#include "filename"** was specified in the multiple-line format.

In the multiple-line format, the line following **.cdecls** must contain the opening **.cdecls** block indicator **%{**. Everything after the **%{**, up to the closing block indicator **%}**, is treated as C/C++ source and processed. Ordinary assembler processing then resumes on the line following the closing **%}**.

The text within **%{** and **%}** is passed to the C/C++ compiler to be converted into assembly language. Much of C language syntax, including function and variable definitions as well as function-like macros, is not supported and is ignored during the conversion. However, all of what traditionally appears in C header files is supported, including function and variable prototypes; structure and union declarations; non-function-like macros; enumerations; and **#defines**.

The resulting assembly language is included in the assembly file at the point of the `.cdecls` directive. If the `LIST` option is used, the converted assembly statements are printed in the listing file.

The assembly resulting from the `.cdecls` directive is treated similarly to a `.include` file. Therefore the `.cdecls` directive can be nested within a file being copied or included. The assembler limits nesting to ten levels; the host operating system may set additional restrictions. The assembler precedes the line numbers of copied files with a letter code to identify the level of copying. An A indicates the first copied file, B indicates a second copied file, etc.

The `.cdecls` directive can appear anywhere in an assembly source file, and can occur multiple times within a file. However, the C/C++ environment created by one `.cdecls` is **not** inherited by a later `.cdecls`; the C/C++ environment starts new for each `.cdecls`.

See [Chapter 13](#) for more information on setting up and using the `.cdecls` directive with C header files.

**Example**

In this example, the `.cdecls` directive is used call the C header.h file.

**C header file:**

```
#define WANT_ID 10
#define NAME "John\n"

extern int a_variable;
extern float cvt_integer(int src);

struct myCstruct { int member_a; float member_b; };

enum status_enum { OK = 1, FAILED = 256, RUNNING = 0 };
```

**Source file:**

```
        .cdecls C,LIST,"myheader.h"

size:   .int $sizeof(myCstruct)
aoffset: .int myCstruct.member_a
boffset: .int myCstruct.member_b
okvalue: .int status_enum.OK
failval: .int status_enum.FAILED
        .if $defined(WANT_ID)
id      .cstring NAME
        .endif
```



**Listing File:**

```

1          .cdecls C,LIST,"myheader.h"
A 1          ; -----
A 2          ; Assembly Generated from C/C++ Source Code
A 3          ; -----
A 4
A 5          ; ===== MACRO DEFINITIONS =====
A 6          .define "1",WANT_ID
A 7          .define ""John\n"",NAME
A 8          .define "1",_OPTIMIZE_FOR_SPACE
A 9
A 10         ; ===== TYPE DEFINITIONS =====
A 11         status_enum      .enum
A 12         0001 OK          .emember 1
A 13         0100 FAILED     .emember 256
A 14         0000 RUNNING    .emember 0
A 15         .endenum
A 16
A 17         myCstruct        .struct 0,2 ; struct size=(6 bytes|48 bits), alignment=2
A 18         0000 member_a    .field 16 ; int member_a - offset 0 bytes, size (2 bytes|16 bits)
A 19         0002 member_b    .field 32 ; float member_b-offset 2 bytes, size (4 bytes|32 bits)
A 20         0006            .endstruct ; final size=(6 bytes|48 bits)
A 21
A 22         ; ===== EXTERNAL FUNCTIONS =====
A 23         .global cvt_integer
A 24
A 25         ; ===== EXTERNAL VARIABLES =====
A 26         .global a_variable
2
3 0000 0006 size: .int $sizeof(myCstruct)
4 0002 0000 aoffset: .int myCstruct.member_a
5 0004 0002 boffset: .int myCstruct.member_b
6 0006 0001 okvalue: .int status_enum.OK
7 0008 0100 failval: .int status_enum.FAILED
8          .if $defined(WANT_ID)
9 000a 004A id .cstring NAME
1000b 006F
1000c 0068
1000d 006E
1000e 000A
1000f 0000
10          .endif

```

**.common**
**Create a Common Symbol**
**Syntax**

```
.common symbol,size in bytes[, alignment]
```

```
.common symbol,structure tag[, alignment]
```

**Description**

The **.common** directive creates a common symbol in a common block, rather than placing the variable in a memory section.

The benefit of common symbols is that generated code can remove unused variables that would otherwise increase the size of the .bss section. (Uninitialized variables of a size larger than 32 bytes are separately optimized through placement in separate subsections that can be omitted from a link.)

This directive is used by the compiler when the --common option is enabled (the default), which causes uninitialized file scope variables to be emitted as common symbols. This optimization happens for C/C++ code by default unless you use the --common=off compiler option.

- The *symbol* is a required parameter. It defines a name for the symbol created by this directive. The symbol name must correspond to the variable that you are reserving space for.
- The *size in bytes* is a required parameter; it must be an absolute expression. The assembler allocates size bytes in the section used for common symbols. There is no default size.
- A *structure tag* can be used in place of a size to specify a structure created with the .struct directive. Either a size or a structure tag is required for this argument.
- The *alignment* is an optional parameter that ensures that the space allocated to the symbol occurs on the specified boundary. The boundary must be set to a power of 2 between  $2^0$  and  $2^{15}$ , inclusive. If the SPC is already aligned at the specified boundary, it is not incremented.

Common symbols are symbols that are placed in the symbol table of an ELF object file. They represent an uninitialized variable. Common symbols do not reference a section. (In contrast, initialized variables need to reference a section that contains the initialized data.) The value of a common symbol is its required alignment; it has no address and stores no address. While symbols for an uninitialized common block can appear in executable object files, common symbols may only appear in relocatable object files. Common symbols are preferred over weak symbols. See the section on the "Symbol Table" in the System V ABI specification for more about common symbols.

When object files containing common symbols are linked, space is reserved in an uninitialized section (.common) for each common symbol. A symbol is created in place of the common symbol to refer to its reserved location.

**.copy/.include**
**Copy Source File**
**Syntax**

```
.copy "filename"
.include "filename"
```

**Description**

The **.copy** and **.include** directives tell the assembler to read source statements from a different file. The statements that are assembled from a copy file are printed in the assembly listing. The statements that are assembled from an included file are *not* printed in the assembly listing, regardless of the number of **.list/.nolist** directives assembled.

When a **.copy** or **.include** directive is assembled, the assembler:

1. Stops assembling statements in the current source file
2. Assembles the statements in the copied/included file
3. Resumes assembling statements in the main source file, starting with the statement that follows the **.copy** or **.include** directive

The *filename* is a required parameter that names a source file. It is enclosed in double quotes and must follow operating system conventions.

You can specify a full pathname (for example, /320tools/file1.asm). If you do not specify a full pathname, the assembler searches for the file in:

1. The directory that contains the current source file
2. Any directories named with the **--include\_path** assembler option
3. Any directories specified by the **MSP430\_A\_DIR** environment variable
4. Any directories specified by the **MSP430\_C\_DIR** environment variable

For more information about the **--include\_path** option and **MSP430\_A\_DIR**, see [Section 4.5](#). For more information about **MSP430\_C\_DIR**, see the *MSP430 Optimizing C/C++ Compiler User's Guide*.

The **.copy** and **.include** directives can be nested within a file being copied or included. The assembler limits nesting to 32 levels; the host operating system may set additional restrictions. The assembler precedes the line numbers of copied files with a letter code to identify the level of copying. A indicates the first copied file, B indicates a second copied file, etc.

**Example 1**

In this example, the **.copy** directive is used to read and assemble source statements from other files; then, the assembler resumes assembling into the current file.

The original file, **copy.asm**, contains a **.copy** statement copying the file **byte.asm**. When **copy.asm** assembles, the assembler copies **byte.asm** into its place in the listing (note listing below). The copy file **byte.asm** contains a **.copy** statement for a second file, **word.asm**.

When it encounters the **.copy** statement for **word.asm**, the assembler switches to **word.asm** to continue copying and assembling. Then the assembler returns to its place in **byte.asm** to continue copying and assembling. After completing assembly of **byte.asm**, the assembler returns to **copy.asm** to assemble its remaining statement.

<b>copy.asm (source file)</b>	<b>byte.asm (first copy file)</b>	<b>word.asm (second copy file)</b>
<pre>.space 29 .copy "byte.asm" ** Back in original file  .string "done"</pre>	<pre>** In byte.asm .byte 32,1+ 'A' .copy "word.asm"  ** Back in byte.asm .byte 67h + 3q</pre>	<pre>** In word.asm .word 0ABCDh, 56q</pre>

**Listing file:**

```

1 0000          .space 29
2              .copy "byte.asm"
A 1              ** In byte.asm
A 2 001d 0020   .byte 32,1+ 'A'
    001e 0042
A 3              .copy "word.asm"
B 1              ** In word.asm
B 2 0020 ABCD   .word 0ABCDh, 56q
    0022 002E
A 4              ** Back in byte.asm
A 5 0024 006A   .byte 67h + 3q
    3
    4              ** Back in original file
5 0025 0064   .string "done"
    0026 006F
    0027 006E
    0028 0065

```

**Example 2**

In this example, the `.include` directive is used to read and assemble source statements from other files; then, the assembler resumes assembling into the current file. The mechanism is similar to the `.copy` directive, except that statements are not printed in the listing file.

<b>include.asm (source file)</b>	<b>byte2.asm (first copy file)</b>	<b>word2.asm (second copy file)</b>
<pre> .space 29 .include "byte2.asm"  ** Back in original file  .string "done" </pre>	<pre> ** In byte2.asm .byte 32,1+ 'A' .include "word2.asm" ** Back in byte2.asm  .byte 67h + 3q </pre>	<pre> ** In word2.asm .word 0ABCDh, 56q </pre>

**Listing file:**

```

1 0000          .space 29
2              .include "byte2.asm"
3
4              **Back in original file
5 0025 0064   .string "done"
    0026 006F
    0027 006E
    0028 0065

```

---

**.data** *Assemble Into the .data Section*


---

**Syntax**
**.data**
**Description**

The **.data** directive sets **.data** as the current section; the lines that follow will be assembled into the **.data** section. The **.data** section is normally used to contain tables of data or preinitialized variables.

For more information about sections, see [Chapter 2](#).

**Example**

In this example, code is assembled into the **.data** and **.text** sections.

```

1           ; Comments here
2 0000           .data
3 0000           .space 0xCC
4
5
6           ; Comments here
7 0000           .text
8 0000     INDEX .set 0
9 0000 430B     MOV #INDEX,R11
10
11
12
13           ; Comments here
14 00cc     Table: .data
15 00cc FFFF           .word -1
16 00ce 00FF           .byte 0xFF
17
18
19
20           ; Comments here
21 0002           .text
22 0002 00CC! con     .field Table,16
23 0004 421B     MOV    &con,R11
    0006 0002!
24 0008 5B1C     ADD    0(R11),R12
    000a 0000
25
26 00cf           .data
  
```



**.drlist/.drnolist**      **Control Listing of Directives**


---

**Syntax**

**.drlist**  
**.drnolist**

**Description**

Two directives enable you to control the printing of assembler directives to the listing file:

The **.drlist** directive enables the printing of all directives to the listing file.

The **.drnolist** directive suppresses the printing of the following directives to the listing file. The **.drnolist** directive has no affect within macros.

- |           |             |             |
|-----------|-------------|-------------|
| • .asg    | • .fcnolist | • .ssnolist |
| • .break  | • .mlist    | • .var      |
| • .emsg   | • .mmsg     | • .wmsg     |
| • .eval   | • .mnolist  |             |
| • .fclist | • .sslist   |             |

By default, the assembler acts as if the **.drlist** directive had been specified.

**Example**

This example shows how **.drnolist** inhibits the listing of the specified directives.

**Source file:**

```
.asg 0, x
.loop 2
.eval x+1, x
.endloop
.drnolist
.asg 1, x
.loop 3
.eval x+1, x
.endloop
```

**Listing file:**

```
1 .asg 0, x
2 .loop 2
3 .eval x+1, x
4 .endloop
1 .eval 0+1, x
1 .eval 1+1, x
5
6 .drnolist
7
9 .loop 3
10 .eval x+1, x
11 .endloop
```

**.elfsym**
***ELF Symbol Information***


---

**Syntax**
**.elfsym *name*, SYM\_SIZE(*size*)**
**Description**

The .elfsym directive provides additional information for symbols in the ELF format. This directive is designed to convey different types of information, so the *type*, *data* pair is used to represent each type. Currently, this directive only supports the SYM\_SIZE type.

---



---

SYM\_SIZE indicates the allocation size (in bytes) of the symbol indicated by *name*.

**Example**

This example shows the use of the ELF symbol information directive.

```

        .sect      ".examp"
        .align 4
        .elfsym    ex_sym, SYM_SIZE(4)
ex_sym:
        .word     0

```



---

**.emsg/.mmsg/.wmsg Define Messages**


---

**Syntax**

**.emsg** *string*

**.mmsg** *string*

**.wmsg** *string*

**Description**

These directives allow you to define your own error and warning messages. When you use these directives, the assembler tracks the number of errors and warnings it encounters and prints these numbers on the last line of the listing file.

The **.emsg** directive sends an error message to the standard output device in the same manner as the assembler. It increments the error count and prevents the assembler from producing an object file.

The **.mmsg** directive sends an assembly-time message to the standard output device in the same manner as the **.emsg** and **.wmsg** directives. It does not, however, set the error or warning counts, and it does not prevent the assembler from producing an object file.

The **.wmsg** directive sends a warning message to the standard output device in the same manner as the **.emsg** directive. It increments the warning count rather than the error count, however. It does not prevent the assembler from producing an object file.

**Example**

This example sends the message ERROR -- MISSING PARAMETER to the standard output device.

**Source file:**

```
MSG_EX .macro parm1
      .if    $symlen(parm1) = 0
      .emsg "ERROR -- MISSING PARAMETER"
      .else
      ADD   parm1, r7, r8
      .endif
      .endm
MSG_EX R11
MSG_EX
```

**Listing file:**

```

1          MSG_EX .macro parm1
2          .if    $symlen(parm1)=0
3          .emsg  "ERROR -- MISSING PARAMETER"
4          .else
5          .ADD   parm1, r7
6          .endif
7          .endm
8
9 0000          MSG_EX R11
1         .if    $symlen(parm1)=0
1         .emsg  "ERROR -- MISSING PARAMETER"
1         .else
1         .ADD   R11, r7
1         .endif
10
11 0002          MSG_EX
1         .if    $symlen(parm1)=0
1         .emsg  "ERROR -- MISSING PARAMETER"
"emsg.asm", ERROR!  at line 11: [ ***** USER ERROR ***** - ] ERROR --
MISSING PARAMETER
1         .else
1         .ADD   parm1, r7
1         .endif

```

```
1 Assembly Error, No Assembly Warnings
```

In addition, the following messages are sent to standard output by the assembler:

```
*** ERROR!   line 11: ***** USER ERROR ***** - : ERROR -- MISSING PARAMETER
           .emsg "ERROR -- MISSING PARAMETER"
```

```
1 Error, No Warnings
Errors in source - Assembler Aborted
```

**.end** *End Assembly*


---

**Syntax** `.end`

**Description** The `.end` directive is optional and terminates assembly. The assembler ignores any source statements that follow a `.end` directive. If you use the `.end` directive, it must be the last source statement of a program.

This directive has the same effect as an end-of-file character. You can use `.end` when you are debugging and you want to stop assembling at a specific point in your code.

---

**Ending a Macro**

**NOTE:** Do not use the `.end` directive to terminate a macro; use the `.endm` macro directive instead.

---

**Example** This example shows how the `.end` directive terminates assembly. Any source statements that follow the `.end` directive are ignored by the assembler.

**Source file:**

```
START:  .space 300
TEMP    .set  15
        .bss  LOC1,0x48
LOCL_n  .word  LOC1
        MOV   #TEMP,R11
        MOV   &LOCL_n,R12
        MOV   0(R12),R13
        .end
        .byte 4
        .word 0xCCC
```

**Listing file:**

```
1 0000          START:  .space 300
2          000F  TEMP    .set  15
3 0000          .bss  LOC1,0x48
4 012c 0000!  LOCL_n  .word  LOC1
5 012e 403B          MOV   #TEMP,R11
          0130 000F
6 0132 421C          MOV   &LOCL_n,R12
          0134 012C!
7 0136 4C1D          MOV   0(R12),R13
          0138 0000
8          .end
```

**.fclist/.fcno1ist**      **Control Listing of False Conditional Blocks**


---

**Syntax**

**.fclist**  
**.fcno1ist**

**Description**

Two directives enable you to control the listing of false conditional blocks:

The **.fclist** directive allows the listing of false conditional blocks (conditional blocks that do not produce code).

The **.fcno1ist** directive suppresses the listing of false conditional blocks until a **.fclist** directive is encountered. With **.fcno1ist**, only code in conditional blocks that are actually assembled appears in the listing. The **.if**, **.elseif**, **.else**, and **.endif** directives do not appear.

By default, all conditional blocks are listed; the assembler acts as if the **.fclist** directive had been used.

**Example**

This example shows the assembly language and listing files for code with and without the conditional blocks listed.

**Source file:**

```
AAA .set 1
BB .set 0
.fclist
.if AAA
ADD #1024,R11
.else
ADD #1024*10,R11
.endif
.fcno1ist
.if AAA
ADD #1024,R11
.else
ADD #1024*10,R11
.endif
```

**Listing file:**

```
1      0001  AAA      .set 1
2      0000  BB       .set 0
3                               .fclist
4                               .if AAA
5 0000 503B      ADD #1024,R11
      0002 0400
6                               .else
7                               ADD #1024*10,R11
8                               .endif
9                               .fcno1ist
11 0004 503B      ADD #1024,R11
      0006 0400
```

**.field**
**Initialize Field**
**Syntax**

```
.field value[, size in bits]
```

**Description**

The **.field** directive initializes a multiple-bit field within a single word (16 bits) of memory. This directive has two operands:

- The *value* is a required parameter; it is an expression that is evaluated and placed in the field. The value must be absolute.
- The *size in bits* is an optional parameter; it specifies a number from 1 to 32, which is the number of bits in the field. The default size is 16 bits. If you specify a value that cannot fit in *size in bits*, the assembler truncates the value and issues a warning message. For example, **.field 3,1** causes the assembler to truncate the value 3 to 1; the assembler also prints the message:

```
*** WARNING! line 21: W0001: Field value truncated to 1
      .field 3, 1
```

Successive **.field** directives pack values into the specified number of bits.

The **.field** directive is similar to the **.bits** directive (see the [.bits topic](#)). However, the **.bits** directive does not force alignment to a field boundary and does not automatically increment the SPC when a word boundary is reached.

Use the **.align** directive to force the next **.field** directive to begin packing a new word.

If you use a label, it points to the byte that contains the specified field.

When you use **.field** in a **.struct/.endstruct** sequence, **.field** defines a member's size; it does not initialize memory. For more information, see the [.struct/.endstruct/.tag topic](#).

**Example**

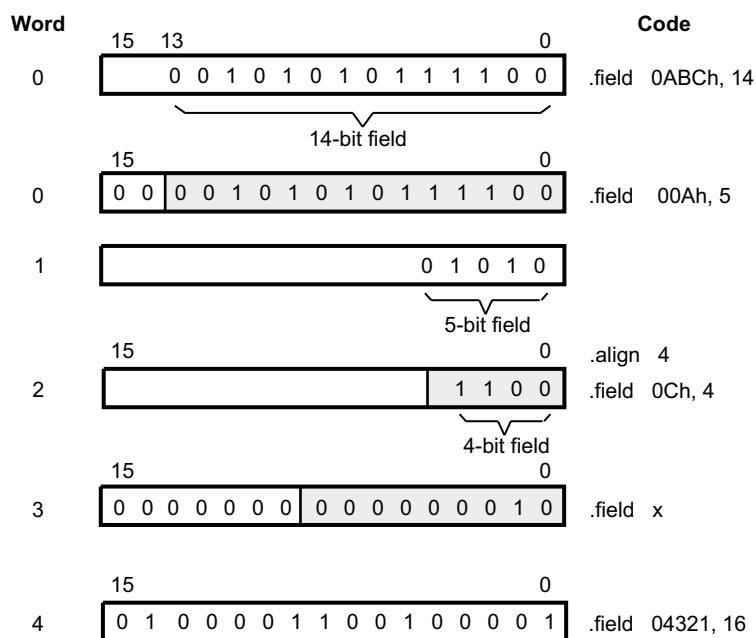
This example shows how fields are packed into a word. The SPC does not change until a word is filled and the next word is begun.

```

1          *****
2          **   Initialize a 14-bit field.   **
3          *****
4 0000 0ABC          .field 0ABCh, 14
5
6          *****
7          **   Initialize a 5-bit field   **
8          **   in the same word.         **
9          *****
10 0002 000A L_F:   .field 0Ah, 5
11
12          *****
13          **   Write out the word.       **
14          *****
15          .align 4
16
17          *****
18          **   Initialize a 4-bit field.   **
19          ** This fields starts a new word. **
20          *****
21 0004 000C x:     .field 0Ch, 4
22
23          *****
24          **   16-bit relocatable field   **
25          **   in the next word.         **
26          *****
27 0006 0004!     .field x
28
29          *****
30          **   Initialize a 16-bit field. **
31          *****
32 0008 4321          .field 04321h, 16
```

Figure 5-7 shows how the directives in this example affect memory.

**Figure 5-7. The .field Directive**



**.global/.def/.ref****Identify Global Symbols****Syntax**

```
.global symbol1[, ... , symboln]
.def symbol1[, ... , symboln]
.ref symbol1[, ... , symboln]
```

**Description**

Three directives identify global symbols that are defined externally or can be referenced externally:

The **.def** directive identifies a symbol that is defined in the current module and can be accessed by other files. The assembler places this symbol in the symbol table.

The **.ref** directive identifies a symbol that is used in the current module but is defined in another module. The linker resolves this symbol's definition at link time.

The **.global** directive acts as a **.ref** or a **.def**, as needed.

A *global symbol* is defined in the same manner as any other symbol; that is, it appears as a label or is defined by the **.set**, **.equ**, **.bss** or **.usect** directive. If a global symbol is defined more than once, the linker issues a multiple-definition error. (The assembler can provide a similar multiple-definition error for local symbols.) The **.ref** directive always creates a symbol table entry for a symbol, whether the module uses the symbol or not; **.global**, however, creates an entry only if the module actually uses the symbol.

A symbol can be declared global for either of two reasons:

- If the symbol is *not defined in the current module* (which includes macro, copy, and include files), the **.global** or **.ref** directive tells the assembler that the symbol is defined in an external module. This prevents the assembler from issuing an unresolved reference error. At link time, the linker looks for the symbol's definition in other modules.
- If the symbol is *defined in the current module*, the **.global** or **.def** directive declares that the symbol and its definition can be used externally by other modules. These types of references are resolved at link time.

**Example**

This example shows four files. The **file1.lst** and **file2.lst** refer to each other for all symbols used; **file3.lst** and **file4.lst** are similarly related.

The **file1.lst** and **file3.lst** files are equivalent. Both files define the symbol **INIT** and make it available to other modules; both files use the external symbols **X**, **Y**, and **Z**. Also, **file1.lst** uses the **.global** directive to identify these global symbols; **file3.lst** uses **.ref** and **.def** to identify the symbols.

The **file2.lst** and **file4.lst** files are equivalent. Both files define the symbols **X**, **Y**, and **Z** and make them available to other modules; both files use the external symbol **INIT**. Also, **file2.lst** uses the **.global** directive to identify these global symbols; **file4.lst** uses **.ref** and **.def** to identify the symbols.

**file1.lst**

```
1           ; Global symbol defined in this file
2           .global INIT
3           ; Global symbols defined in file2.lst
4           .global X, Y, Z
5 0000      INIT:
6 0000 503B      ADD      #56h, R11
   0002 0056
7 0004 0000!      .word   X
8           ;      .
9           ;      .
10          ;      .
11          .end
```

**file2.lst**

```

1          ; Global symbols defined in this file
2          .global X, Y, Z
3          ; Global symbol defined in file1.lst
4          .global INIT
5 0001     X:      .set      1
6 0002     Y:      .set      2
7 0003     Z:      .set      3
8 0000 0000! .word   INIT
9          ;      .
10         ;      .
11         ;      .
12         .end

```

**file3.lst**

```

1          ; Global symbol defined in this file
2          .def INIT
3          ; Global symbols defined in file2.lst
4          .ref X, Y, Z
5 0000     INIT:
6 0000 503B   ADD     #56h, R11
7 0002 0056
8 0004 0000! .word   X
9          ;      .
10         ;      .
11         ;      .
12         .end

```

**file4.lst**

```

1          ; Global symbols defined in this file
2          .def X, Y, Z
3          ; Global symbol defined in file3.lst
4          .ref INIT
5 0001     X:      .set      1
6 0002     Y:      .set      2
7 0003     Z:      .set      3
8 0000 0000! .word   INIT
9          ;      .
10         ;      .
11         ;      .
12         .end

```



---

**.group/.gmember/.endgroup** *Define Common Data Section*


---

**Syntax**

```
.group group section name group type
.gmember section name
.endgroup
```

**Description** Three directives instruct the assembler to make certain sections members of an ELF group section (see the ELF specification for more information on group sections).

---



---

The **.group** directive begins the group declaration. The *group section name* designates the name of the group section. The *group type* designates the type of the group. The following types are supported:

0x0	Regular ELF group
0x1	COMDAT ELF group

Duplicate COMDAT (common data) groups are allowed in multiple modules; the linker keeps only one. Creating such duplicate groups is useful for late instantiation of C++ templates and for providing debugging information.

The **.gmember** directive designates *section name* as a member of the group.

The **.endgroup** directive ends the group declaration.

---

**.half/.short/.uhalf/.ushort Initialize 16-Bit Integers**


---

**Syntax**

```
.half value1[, ... , valuen ]
.short value1[, ... , valuen ]
.uhalf value1[, ... , valuen ]
.ushort value1[, ... , valuen ]
```

**Description**

The **.half** and **.short** directives place one or more values into consecutive halfwords in the current section. A *value* can be either:

- An expression that the assembler evaluates and treats as a 16-bit signed or unsigned number
- A character string enclosed in double quotes. Each character in a string represents a separate value and is stored alone in the least significant eight bits of a 16-bit field, which is padded with 0s.

The assembler truncates values greater than 16 bits.

If you use a label with **.half** or **.short**, it points to the location where the assembler places the first byte.

These directives perform a word (16-bit) alignment before data is written to the section.

When you use **.half** or **.short** in a **.struct/.endstruct** sequence, they define a member's size; they do not initialize memory. For more information, see the [.struct/.endstruct.tag topic](#).

**Example**

In this example, **.half** is used to place 16-bit values (10, -1, abc, and a) into consecutive halfwords in memory; **.short** is used to place 16-bit values (8, -3, def, and b) into consecutive halfwords in memory. The label **STRN** has the value 100ch, which is the location of the first initialized halfword for **.short**.

```
1 0000                .space 100h * 16
2 1000 000A          .half 10, -1, "abc", "a'
   1002 FFFF
   1004 0061
   1006 0062
   1008 0063
   100a 0061
3 100c 0008 STRN     .short 8, -3, "def", 'b'
   100e FFFD
   1010 0064
   1012 0065
   1014 0066
   1016 0062
```

## **.if/.elseif/.else/.endif Assemble Conditional Blocks**

**Syntax**

```

.if condition
[.elseif condition]
[.else]
.endif
  
```

**Description** These directives provide conditional assembly:

The **.if** directive marks the beginning of a conditional block. The *condition* is a required parameter.

- If the expression evaluates to true (nonzero), the assembler assembles the code that follows the expression (up to a **.elseif**, **.else**, or **.endif**).
- If the expression evaluates to false (0), the assembler assembles code that follows a **.elseif** (if present), **.else** (if present), or **.endif** (if no **.elseif** or **.else** is present).

The **.elseif** directive identifies a block of code to be assembled when the **.if** expression is false (0) and the **.elseif** expression is true (nonzero). When the **.elseif** expression is false, the assembler continues to the next **.elseif** (if present), **.else** (if present), or **.endif** (if no **.elseif** or **.else** is present). The **.elseif** is optional in a conditional block, and more than one **.elseif** can be used. If an expression is false and there is no **.elseif**, the assembler continues with the code that follows a **.else** (if present) or a **.endif**.

The **.else** directive identifies a block of code that the assembler assembles when the **.if** expression and all **.elseif** expressions are false (0). The **.else** directive is optional in the conditional block; if an expression is false and there is no **.else** statement, the assembler continues with the code that follows the **.endif**. The **.elseif** and **.else** directives can be used in the same conditional assembly block.

The **.endif** directive terminates a conditional block.

See [Section 4.9.2](#) for information about relational operators.

**Example** This example shows conditional assembly:

```

1      0001  SYM1  .set   1
2      0002  SYM2  .set   2
3      0003  SYM3  .set   3
4      0004  SYM4  .set   4
5
6          If_4:  .if    SYM4 = SYM2 * SYM2
7 0000 0004      .byte  SYM4          ; Equal values
8          .else
9          .byte  SYM2 * SYM2      ; Unequal values
10         .endif
11
12          If_5:  .if    SYM1 <= 10
13 0001 000A      .byte  10          ; Equal values
14         .else
15         .byte  SYM1            ; Unequal values
16         .endif
17
18          If_6:  .if    SYM3 * SYM2 != SYM4 + SYM2
19         .byte  SYM3 * SYM2      ; Unequal value
20         .else
21 0002 0008      .byte  SYM4 + SYM4      ; Equal values
22         .endif
23
24          If_7:  .if    SYM1 = SYM2
25         .byte  SYM1
26         .elseif SYM2 + SYM3 = 5
27 0003 0005      .byte  SYM2 + SYM3
28         .endif
  
```

---

**.int/.uint/.word/.uword** *Initialize 16-Bit Integers*


---

**Syntax**

```
.int value1[, ... , valuen ]
.uint value1[, ... , valuen ]
.word value1[, ... , valuen ]
.uword value1[, ... , valuen ]
```

**Description**

The **.int**, **.uint**, **.word**, and **.uword** directives place one or more values into consecutive words in the current section. Each value is placed in a 16-bit word by itself and is aligned on a word boundary. A *value* can be either:

- An expression that the assembler evaluates and treats as a 16-bit signed or unsigned number
- A character string enclosed in double quotes. Each character in a string represents a separate value and is stored alone in the least significant eight bits of a 16-bit field, which is padded with 0s.

A value can be either an absolute or a relocatable expression. If an expression is relocatable, the assembler generates a relocation entry that refers to the appropriate symbol; the linker can then correctly patch (relocate) the reference. This allows you to initialize memory with pointers to variables or labels.

If you use a label with these directives, it points to the first word that is initialized.

When you use these directives in a **.struct/.endstruct** sequence, they define a member's size; they do not initialize memory. See the [.struct/.endstruct/.tag](#) topic.

**Example**

In this example, the **.int** and **.word** directives are used to initialize words. The symbol **WORDX** points to the first word that is reserved by **.word**.

```
1 0000          .space 73h
2 0000          .bss  PAGE, 128
3 0080          .bss  SYMPTR, 4
4 0074 403B  INST:  MOV   #056h, R11
   0076 0056
5 0078 000A          .int  10, SYMPTR, -1, 35 + 'a', INST, "abc"
   007a 0080!
   007c FFFF
   007e 0084
   0080 0074!
   0082 0061
   0084 0062
   0086 0063
6 0000 0C80  WORDX: .word  3200, 1 + 'AB', -0AFh, 'X'
   0002 4242
   0004 FF51
   0006 0058
```

---

**.intvec** *Create an Interrupt Vector*


---

**Syntax** `.intvec "section_name", routine_name`

**Description** The **.intvec** directive creates an interrupt vector with a pointer to an interrupt function. It defines a named section and specifies the ISR routine to be run for the interrupt. The **.intvec** directive is equivalent to performing the **.sect** directive followed by the **.short** directive.

The *section\_name* identifies the section for the interrupt vector pointer to the interrupt routine. The name must be of the form **.intxx** where *xx* is the number of the interrupt vector. The section name must be enclosed in double quotes. See [Section 2.4.3](#) for information about named sections.

The *routine\_name* identifies the ISR trap routine that should be run as a result of this interrupt.

The linker command file must specify output sections that map to the physical memory location for each interrupt vector. The standard linker command files are set up to handle the **.intxx** naming convention used by the **.intvec** directive.

If you do not specify an ISR routine for some interrupt vectors, an ISR routine will be provided for those vectors from the RTS library and the RTS library will automatically be linked with your application. The default ISR routine puts the device in low power mode. You can override the ISR provided by the RTS by using the **.intvec** directive with the "default\_isr" section name as shown in the following example.

```
.intvec "default_isr", isr_trap_function
```

**Example** This example creates an interrupt vector in the **.int55** section that runs a routine called **ADC12\_ISR**.

```
.intvec ".int55", ADC12_ISR
```

---

**.label** *Create a Load-Time Address Label*


---

**Syntax** `.label symbol`

**Description** The **.label** directive defines a special *symbol* that refers to the load-time address rather than the run-time address within the current section. Most sections created by the assembler have relocatable addresses. The assembler assembles each section as if it started at 0, and the linker relocates it to the address at which it loads and runs.

For some applications, it is desirable to have a section load at one address and run at a *different* address. For example, you may want to load a block of performance-critical code into slower memory to save space and then move the code to high-speed memory to run it. Such a section is assigned two addresses at link time: a load address and a run address. All labels defined in the section are relocated to refer to the run-time address so that references to the section (such as branches) are correct when the code runs. See [Section 3.5](#) for more information about run-time relocation.

The **.label** directive creates a special label that refers to the *load-time* address. This function is useful primarily to designate where the section was loaded for purposes of the code that relocates the section.

**Example** This example shows the use of a load-time address label.

```
sect ".examp"
    .label examp_load ; load address of section
start:
    ; run address of section
    <code>
finish:
    ; run address of section end
    .label examp_end ; load address of section end
```

See [Section 8.5.6](#) for more information about assigning run-time and load-time addresses in the linker.

**.length/.width**
**Set Listing Page Size**
**Syntax**

**.length** [*page length*]

**.width** [*page width*]

**Description**

Two directives allow you to control the size of the output listing file.

The **.length** directive sets the page length of the output listing file. It affects the current and following pages. You can reset the page length with another **.length** directive.

- Default length: 60 lines. If you do not use the **.length** directive or if you use the **.length** directive without specifying the *page length*, the output listing length defaults to 60 lines.
- Minimum length: 1 line
- Maximum length: 32 767 lines

The **.width** directive sets the page width of the output listing file. It affects the next line assembled and the lines following. You can reset the page width with another **.width** directive.

- Default width: 132 characters. If you do not use the **.width** directive or if you use the **.width** directive without specifying a *page width*, the output listing width defaults to 132 characters.
- Minimum width: 80 characters
- Maximum width: 200 characters

The width refers to a full line in a listing file; the line counter value, SPC value, and object code are counted as part of the width of a line. Comments and other portions of a source statement that extend beyond the page width are truncated in the listing.

The assembler does not list the **.width** and **.length** directives.

**Example**

The following example shows how to change the page length and width.

```
*****
**      Page length = 65 lines      **
**      Page width = 85 characters  **
*****
        .length    65
        .width     85

*****
**      Page length = 55 lines      **
**      Page width = 100 characters **
*****
        .length    55
        .width     100
```

**.list/.nolist**
***Start/Stop Source Listing***
**Syntax**

```
.list
.nolist
```

**Description**

Two directives enable you to control the printing of the source listing:

The **.list** directive allows the printing of the source listing.

The **.nolist** directive suppresses the source listing output until a **.list** directive is encountered. The **.nolist** directive can be used to reduce assembly time and the source listing size. It can be used in macro definitions to suppress the listing of the macro expansion.

The assembler does not print the **.list** or **.nolist** directives or the source statements that appear after a **.nolist** directive. However, it continues to increment the line counter. You can nest the **.list/.nolist** directives; each **.nolist** needs a matching **.list** to restore the listing.

By default, the source listing is printed to the listing file; the assembler acts as if the **.list** directive had been used. However, if you do not request a listing file when you invoke the assembler by including the **--asm\_listing** option on the command line (see [Section 4.3](#)), the assembler ignores the **.list** directive.

**Example**

This example shows how the **.copy** directive inserts source statements from another file. The first time this directive is encountered, the assembler lists the copied source lines in the listing file. The second time this directive is encountered, the assembler does not list the copied source lines, because a **.nolist** directive was assembled. The **.nolist**, the second **.copy**, and the **.list** directives do not appear in the listing file. Also, the line counter is incremented, even when source statements are not listed.

**Source file:**

```
* Back in original file
NOP
    .nolist
    .copy "copy2.asm"
    .list
* Back in original file
    .string "Done"
```

**Listing file:**

```

1          .copy "copy2.asm"
A 1          * In copy2.asm (copy file)
A 2 0000 0020    .word 32, 1 + 'A'
    0002 0042
2          * Back in original file
3 0004 4303    NOP
7          * Back in original file
8 000a 0044    .string "Done"
    000b 006F
    000c 006E
    000d 0065
```



**.long/.ulong**
**Initialize 32-Bit Integer**
**Syntax**

```
.long value1[, ... , valuen]
```

```
.ulong value1[, ... , valuen]
```

**Description**

The `.long` directive places one or more values into consecutive words in the current section. A value can be either:

- An expression that the assembler evaluates and treats as a 32-bit signed or unsigned number
- A character string enclosed in double quotes. Each character in a string represents a separate value and is stored alone in the least significant eight bits of a 32-bit field, which is padded with 0s.

A value can be either an absolute or a relocatable expression. If an expression is relocatable, the assembler generates a relocation entry that refers to the appropriate symbol; the linker can then correctly patch (relocate) the reference. This allows you to initialize memory with pointers to variables or labels.

The `.long` directive performs a word (16-bit) alignment before any data is written to the section.

When you use `.long` directive in a `.struct/.endstruct` sequence, it defines a member's size; it does not initialize memory. See the [.struct/.endstruct/.tag](#) topic.

**Example**

This example shows how the `.long` directive initializes words. The symbol `DAT1` points to the first word that is reserved.

```

1 0000 ABCD DAT1: .long  0ABCDh, 'A' + 100h, 'g', 'o'
   0002 0000
   0004 0141
   0006 0000
   0008 0067
   000a 0000
   000c 006F
   000e 0000
2 0010 0000!      .long  DAT1, 0AABCCDDh
   0012 0000
   0014 CCDD
   0016 AABB
3 0018          DAT2:
```

---

**.loop/.endloop/.break Assemble Code Block Repeatedly**


---

**Syntax**

```

        .loop [count]
        .break [end-condition]
        .endloop
    
```

**Description** Three directives allow you to repeatedly assemble a block of code:

The **.loop** directive begins a repeatable block of code. The optional *count* operand, if used, must be a well-defined integer expression. The *count* indicates the number of loops to be performed (the loop count). If *count* is omitted, it defaults to 1024. The loop will be repeated count number of times, unless terminated early by a **.break** directive.

The optional **.break** directive terminates a **.loop** early. You may use **.loop** without using **.break**. The **.break** directive terminates a **.loop** only if the *end-condition* expression is true (evaluates to nonzero). If the optional *end-condition* operand is omitted, it defaults to true. If *end-condition* is true, the assembler stops repeating the **.loop** body immediately; any remaining statements after **.break** and before **.endloop** are not assembled. The assembler resumes assembling with the statement after the **.endloop** directive. If *end-condition* is false (evaluates to 0), the loop continues.

The **.endloop** directive marks the end of a repeatable block of code. When the loop terminates, whether by a **.break** directive with a true *end-condition* or by performing the loop count number of iterations, the assembler stops repeating the loop body and resumes assembling with the statement after the **.endloop** directive.

**Example** This example illustrates how these directives can be used with the **.eval** directive. The code in the first six lines expands to the code immediately following those six lines.

```

        1          .eval    0,x
        2      COEF .loop
        3          .word    x*100
        4          .eval    x+1, x
        5          .break   x = 6
        6          .endloop
1      0000 0000    .word    0*100
1          .eval    0+1, x
1          .break   1 = 6
1      0002 0064    .word    1*100
1          .eval    1+1, x
1          .break   2 = 6
1      0004 00C8    .word    2*100
1          .eval    2+1, x
1          .break   3 = 6
1      0006 012C    .word    3*100
1          .eval    3+1, x
1          .break   4 = 6
1      0008 0190    .word    4*100
1          .eval    4+1, x
1          .break   5 = 6
1      000a 01F4    .word    5*100
1          .eval    5+1, x
1          .break   6 = 6
    
```

**.macro/.endm**
**Define Macro**


---

**Syntax**

```

macname .macro [parameter1 [, ... , parametern]
           model statements or macro directives
           .endm

```

**Description**

The **.macro** and **.endm** directives are used to define macros.

You can define a macro anywhere in your program, but you must define the macro before you can use it. Macros can be defined at the beginning of a source file, in an `.include/.copy` file, or in a macro library.

<i>macname</i>	names the macro. You must place the name in the source statement's label field.
<b>.macro</b>	identifies the source statement as the first line of a macro definition. You must place <b>.macro</b> in the opcode field.
[ <i>parameters</i> ]	are optional substitution symbols that appear as operands for the <b>.macro</b> directive.
<i>model statements</i>	are instructions or assembler directives that are executed each time the macro is called.
<i>macro directives</i>	are used to control macro expansion.
<b>.endm</b>	marks the end of the macro definition.

Macros are explained in further detail in [Chapter 6](#).

## **.mlib** *Define Macro Library*

**Syntax** `.mlib "filename"`

**Description** The `.mlib` directive provides the assembler with the *filename* of a macro library. A macro library is a collection of files that contain macro definitions. The macro definition files are bound into a single file (called a library or archive) by the archiver.

Each file in a macro library contains one macro definition that corresponds to the name of the file. The *filename* of a macro library member must be the same as the macro name, and its extension must be `.asm`. The filename must follow host operating system conventions; it can be enclosed in double quotes. You can specify a full pathname (for example, `c:\320tools\macs.lib`). If you do not specify a full pathname, the assembler searches for the file in the following locations in the order given:

1. The directory that contains the current source file
2. Any directories named with the `--include_path` assembler option
3. Any directories specified by the `MSP430_A_DIR` environment variable
4. Any directories specified by the `MSP430_C_DIR` environment variable

See [Section 4.5](#) for more information about the `--include_path` option.

A `.mlib` directive causes the assembler to open the library specified by *filename* and create a table of the library's contents. The assembler stores names of individual library members in the opcode table as library entries. This redefines any existing opcodes or macros with the same name. If one of these macros is called, the assembler extracts the library entry and loads it into the macro table. The assembler expands the library entry as it does other macros, but it does not place the source code in the listing. Only macros called from the library are extracted, and they are extracted only once. See [Chapter 6](#).

**Example** The code creates a macro library that defines two macros, `inc4.asm` and `dec4.asm`. The file `inc4.asm` contains the definition of `inc4` and `dec4.asm` contains the definition of `dec4`.

<code>inc4.asm</code>	<code>dec4.asm</code>
<pre>* Macro for incrementing inc4 .macro reg     ADD.W #1, reg     ADD.W #1, reg     ADD.W #1, reg     ADD.W #1, reg .endm</pre>	<pre>* Macro for decrementing dec4 .macro reg     SUB.W #1, reg     SUB.W #1, reg     SUB.W #1, reg     SUB.W #1, reg .endm</pre>

Use the archiver to create a macro library:

```
ar430 -a mac inc4.asm dec4.asm
```

Now you can use the `.mlib` directive to reference the macro library and define the `inc4.asm` and `dec4.asm` macros:

```

1             .mlist
2             .mlib "mac.lib"
3             ; Macro call
4 0000      inc4  R11, R12, R13, R14
1 0000 531B      ADD.W #1,R11
1 0002 531C      ADD.W #1,R12
1 0004 531D      ADD.W #1,R13
1 0006 531E      ADD.W #1,R14
5
6             ; Macro call
7 0008      dec4  R11, R12, R13, R14
1 0008 831B      SUB.W #1,R11
1 000a 831C      SUB.W #1,R12
1 000c 831D      SUB.W #1,R13
1 000e 831E      SUB.W #1,R14
    
```

**.mlist/.mnoist**      **Start/Stop Macro Expansion Listing**


---

**Syntax**

**.mlist**  
**.mnoist**

**Description**

Two directives enable you to control the listing of macro and repeatable block expansions in the listing file:

The **.mlist** directive allows macro and **.loop/.endloop** block expansions in the listing file.

The **.mnoist** directive suppresses macro and **.loop/.endloop** block expansions in the listing file.

By default, the assembler behaves as if the **.mlist** directive had been specified.

See [Chapter 6](#) for more information on macros and macro libraries. See the [.loop/.break/.endloop](#) topic for information on conditional blocks.

**Example**

This example defines a macro named STR\_3. The first time the macro is called, the macro expansion is listed (by default). The second time the macro is called, the macro expansion is not listed, because a **.mnoist** directive was assembled. The third time the macro is called, the macro expansion is again listed because a **.mlist** directive was assembled.

```

1          STR_3 .macro  P1, P2, P3
2              .string ":p1:", ":p2:", ":p3:"
3              .endm
4
5 0000          STR_3 "as", "I", "am"    ; Invoke STR_3 macro.
1 0000 003A          .string ":p1:", ":p2:", ":p3:"
0001 0070
0002 0031
0003 003A
0004 003A
0005 0070
0006 0032
0007 003A
0008 003A
0009 0070
000a 0033
000b 003A
6          .mnoist                ; Suppress expansion.
7 000c          STR_3 "as", "I", "am"    ; Invoke STR_3 macro.
8          .mlist                ; Show macro expansion.
9 0018          STR_3 "as", "I", "am"    ; Invoke STR_3 macro.
1 0018 003A          .string ":p1:", ":p2:", ":p3:"
0019 0070
001a 0031
001b 003A
001c 003A
001d 0070
001e 0032
001f 003A
0020 003A
0021 0070
0022 0033
0023 003A

```

**.newblock** *Terminate Local Symbol Block*
**Syntax** `.newblock`

**Description** The `.newblock` directive undefines any local labels currently defined. Local labels, by nature, are temporary; the `.newblock` directive resets them and terminates their scope.

A local label is a label in the form `$n`, where `n` is a single decimal digit, or `name?`, where `name` is a legal symbol name. Unlike other labels, local labels are intended to be used locally, and cannot be used in expressions. They can be used only as operands in 8-bit jump instructions. Local labels are not included in the symbol table.

After a local label has been defined and (perhaps) used, you should use the `.newblock` directive to reset it. The `.text`, `.data`, and `.sect` directives also reset local labels. Local labels that are defined within an include file are not valid outside of the include file.

See [Section 4.8.3](#) for more information on the use of local labels.

**Example** This example shows how the local label `$1` is declared, reset, and then declared again.

```

1          .global ADDRA,ADDRB,ADDRC
2
3 0000 403B Label1: MOV #ADDRA, R11 ; Load Address A to R11
   0002 0000!
4 0004 803B          SUB #ADDRB, R11 ; Subtract Address B.
   0006 0000!
5 0008 3803          JL $1          ; If < 0, branch to $1
6 000a 403B          MOV #ADDRB, R11 ; otherwise, load ADDRb to R11
   000c 0000!
7 000e 3C02          JMP $2          ; and branch to $2
8 0010 403B $1       MOV #ADDRA, R11 ; $1: load ADDRA to AC0.
   0012 0000!
9 0014 503B $2       ADD #ADDRC, R11 ; $2: add ADDRc.
   0016 0000!
10         .newblock          ; Undefine $1 so can be used again.
11 0018 3C02          JMP $1          ; If less than zero, branch to $1.
12 001a 4B82          MOV R11,&ADDRc ; Store AC0 low in ADDRc.
   001c 0000!
13 001e 4303 $1       NOP

```

**.option**
**Select Listing Options**
**Syntax**
**.option** *option*<sub>1</sub>[, *option*<sub>2</sub>, . . .]

**Description**

The **.option** directive selects options for the assembler output listing. The *options* must be separated by commas; each option selects a listing feature. These are valid options:

- A** turns on listing of all directives and data, and subsequent expansions, macros, and blocks.
- B** limits the listing of `.byte` and `.char` directives to one line.
- H** limits the listing of `.half` and `.short` directives to one line.
- L** limits the listing of `.long` directives to one line.
- M** turns off macro expansions in the listing.
- N** turns off listing (performs `.nolist`).
- O** turns on listing (performs `.list`).
- R** resets any B, H, M, T, and, W (turns off the limits of B, H, M, T, and, W).
- T** limits the listing of `.string` directives to one line.
- W** limits the listing of `.word` and `.int` directives to one line.
- X** produces a cross-reference listing of symbols. You can also obtain a cross-reference listing by invoking the assembler with the `--asm_listing_cross_reference` option (see [Section 4.3](#)).

Options *are not* case sensitive.

**Example**

This example shows how to limit the listings of the `.byte`, `.char`, `.int`, `.long`, `.word`, and `.string` directives to one line each.

```

1          *****
2          ** Limit the listing of .byte, .char, .int, .long, **
3          ** .word, and .string directives to 1 line each. **
4          *****
5          .option B, W, T
6 0000 00BD      .byte  -'C', 0B0h, 5
7 0003 00BC      .char  -'D', 0C0h, 6
8 0006 000A      .int   10, 35 + 'a', "abc"
9 0010 CCDD      .long  0AABBCCDDh, 536 + 'A'
10         0012 AABB
11         0014 0259
12         0016 0000
13         0018 15AA      .word  5546, 78h
14         001c 0045      .string "Extended Registers"
15
16         *****
17         **          Reset the listing options.          **
18         *****
19         .option R
20         .byte  -'C', 0B0h, 5
21         002f 00B0
22         0030 0005
23         0031 00BC      .char  -'D', 0C0h, 6
24         0032 00C0
25         0033 0006
26         0034 000A      .int   10, 35 + 'a', "abc"
27         0036 0084
28         0038 0061
29         003a 0062
30         003c 0063
31         003e CCDD      .long  0AABBCCDDh, 536 + 'A'
32         0040 AABB
33         0042 0259

```

```

0044 0000
21 0046 15AA      .word   5546, 78h
0048 0078
22 004a 0045      .string "Extended Registers"
004b 0078
004c 0074
004d 0065
004e 006E
004f 0064
0050 0065
0051 0064
0052 0020
0053 0052
0054 0065
0055 0067
0056 0069
0057 0073
0058 0074
0059 0065
005a 0072
005b 0073

```

## **.page** *Eject Page in Listing*

**Syntax** `.page`

**Description** The **.page** directive produces a page eject in the listing file. The **.page** directive is not printed in the source listing, but the assembler increments the line counter when it encounters the **.page** directive. Using the **.page** directive to divide the source listing into logical divisions improves program readability.

**Example** This example shows how the **.page** directive causes the assembler to begin a new page of the source listing.

### **Source file:**

```

Source file (generic)
.title   "**** Page Directive Example ****"
;
;
;
.page

```

### **Listing file:**

```

MSP430 Assembler PC vx.x.x      Day   Time   Year

Tools Copyright (c) 2003-2011 Texas Instruments Incorporated
**** Page Directive Example ****                                     PAGE 1

      2          ;          .
      3          ;          .
      4          ;          .
MSP430 Assembler PC vx.x.x      Day   Time   Year

Tools Copyright (c) 2003-2011 Texas Instruments Incorporated
**** Page Directive Example ****

```



---

**.retain / .retainrefs**    *Conditionally Retain Sections In Object Module Output*


---

**Syntax**

```
.retain["section name"]
```

```
.retainrefs["section name"]
```

**Description**

The **.retain** directive indicates that the current or specified section is not eligible for removal via conditional linking. You can also override conditional linking for a given section with the `--retain` linker option. You can disable conditional linking entirely with the `--unused_section_elimination=off` linker option.

The **.retainrefs** directive indicates that any sections that refer to the current or specified section are not eligible for removal via conditional linking. For example, applications may use an `.intvecs` section to set up interrupt vectors. The `.intvecs` section is eligible for removal during conditional linking by default. You can force the `.intvecs` section and any sections that reference it to be retained by applying the `.retain` and `.retainrefs` directives to the `.intvecs` section.

The *section name* identifies the section. If the directive is used without a section name, it applies to the current initialized section. If the directive is applied to an uninitialized section, the section name is required. The section name must be enclosed in double quotes. A section name can contain a subsection name in the form *section name:subsection name*.

The linker assumes that all sections by default are eligible for removal via conditional linking. (However, the linker does automatically retain the `.reset` section.) The `.retain` directive is useful for overriding this default conditional linking behavior for sections that you want to keep included in the link, even if the section is not referenced by any other section in the link. For example, you could apply a `.retain` directive to an interrupt function that you have written in assembly language, but which is not referenced from any normal entry point in the application.

**.sect** *Assemble Into Named Section*
**Syntax** `.sect " section name "`

**Description** The `.sect` directive defines a named section that can be used like the default `.text` and `.data` sections. The `.sect` directive sets *section name* to be the current section; the lines that follow are assembled into the *section name* section.

The *section name* identifies the section. The section name must be enclosed in double quotes. A section name can contain a subsection name in the form *section name* : *subsection name*. See [Chapter 2](#) for more information about sections.

**Example** This example defines a special-purpose section named `Vars` and assembles code into it.

```

1          *****
2          **      Begin assembling into .text section.      **
3          *****
4 0000          .text
5 0000 403B      MOV #0x78,R11
   0002 0078
6 0004 503B      ADD #0x78,R11
   0006 0078
7          *****
8          **      Begin assembling into Vars section.      **
9          *****
10 0000          .sect "Vars"
11 0000 CCCC      .float 0.05
   0002 3D4C
12 0004 00AA      X: .word 0xAA
13          *****
14          **      Resume assembling into .text section.      **
15          *****
16 0008          .text
17 0008 5B0C      ADD R11,R12
18          *****
19          **      Resume assembling into Vars section.      **
20          *****
21 0006          .sect "Vars"
22 0006 000D      .field 13
23 0008 000A      .field 0xA
24 000a 0010      .field 0x10

```

---

**.set/.equ** *Define Assembly-Time Constant*


---

**Syntax**

```
symbol .set value
symbol .equ value
```

**Description** The **.set** and **.equ** directives equate a constant value to a **.set/.equ** symbol. The symbol can then be used in place of a value in assembly source. This allows you to equate meaningful names with constants and other values. The **.set** and **.equ** directives are identical and can be used interchangeably.

- The *symbol* is a label that must appear in the label field.
- The *value* must be a well-defined expression, that is, all symbols in the expression must be previously defined in the current source module.

Undefined external symbols and symbols that are defined later in the module cannot be used in the expression. If the expression is relocatable, the symbol to which it is assigned is also relocatable.

The value of the expression appears in the object field of the listing. This value is not part of the actual object code and is not written to the output file.

Symbols defined with **.set** or **.equ** can be made externally visible with the **.def** or **.global** directive (see the [.global/.def/.ref topic](#)). In this way, you can define global absolute constants.

**Example** This example shows how symbols can be assigned with **.set** and **.equ**.

```

1          *****
2          **   Equate symbol ACCUM to register R11 and use   **
3          **           it instead of the register.           **
4          *****
5 000B     ACCUM   .set R11
6 0000 401B     MOV 0x56, ACCUM
              0002 0054
7
8          *****
9          **   Set symbol INDEX to an integer expression   **
10         **       and use it as an immediate operand.     **
11         *****
12 0035     INDEX  .equ 100/2 + 3
13 0004 503B     ADD #INDEX, ACCUM
              0006 0035
14
15         *****
16         **   Set symbol SYMTAB to a relocatable expression **
17         **       and use it as a relocatable operand.     **
18         *****
19 0008 000A     LABEL .word 10
20           0009! SYMTAB .set LABEL + 1
21
22         *****
23         **   Set symbol NSYMS equal to the symbol INDEX   **
24         **       and use it as you would INDEX.           **
25         *****
26           0035     NSYMS .set INDEX
27 000a 0035     .word NSYMS

```

**.space/.bes** *Reserve Space*

**Syntax**  
`[label] .space size in bytes`  
`[label] .bes size in bytes`

**Description**  
 The **.space** and **.bes** directives reserve the number of bytes given by *size in bytes* in the current section and fill them with 0s. The section program counter is incremented to point to the word following the reserved space.

When you use a label with the **.space** directive, it points to the *first* byte reserved. When you use a label with the **.bes** directive, it points to the *last* reserved.

**Example** This example shows how memory is reserved with the **.space** and **.bes** directives.

```

1          *****
2          **   Begin assembling into the .text section.   **
3          *****
4 0000          .text
5
6          *****
7          **   Reserve 0F0 bytes in the .text section.   **
8          *****
9 0000          .space 0F0h
10 00f0 0100     .word 100h, 200h
    00f2 0200
11
12          *****
13          **   Begin assembling into the .data section.   **
14          *****
14 0000          .data
15 0000 0049     .string "In .data"
    0001 006E
    0002 0020
    0003 002E
    0004 0064
    0005 0061
    0006 0074
    0007 0061
16
17          *****
18          ** Reserve 100 bytes in the .data section; RES_1 **
19          **   points to the first byte that contains   **
20          **           reserved bytes.                   **
21          *****
21 0008          RES_1: .space 100
22 006c 000F     .word 15
23 006e 0008!   .word RES_1
24
25          *****
26          ** Reserve 20 bits in the .data section; RES_2 **
27          **   points to the last byte that contains   **
28          **           reserved bytes.                   **
29          *****
29 0083          RES_2: .bes 20
30 0084 0036     .word 36h
31 0086 0083!   .word RES_2
    
```

---

**.sslist/.ssnolist**      **Control Listing of Substitution Symbols**


---

**Syntax**

**.sslist**  
**.ssnolist**

**Description**

Two directives allow you to control substitution symbol expansion in the listing file:

The **.sslist** directive allows substitution symbol expansion in the listing file. The expanded line appears below the actual source line.

The **.ssnolist** directive suppresses substitution symbol expansion in the listing file.

By default, all substitution symbol expansion in the listing file is suppressed; the assembler acts as if the **.ssnolist** directive had been used.

Lines with the pound (#) character denote expanded substitution symbols.

**Example**

This example shows code that, by default, suppresses the listing of substitution symbol expansion, and it shows the **.sslist** directive assembled, instructing the assembler to list substitution symbol code expansion.

```

1          SHIFT .macro  dst,amount
2          .loop  amount
3          RLA   dst
4          .endloop
5          .endm
6
7          .global value
8
9 0000          SHIFT  R5,3
1         .loop  3
1         RLA   dst
1         .endloop
2         0000 5505  RLA   R5
2         0002 5505  RLA   R5
2         0004 5505  RLA   R5
10        0006 5582  ADD   R5,&value
          0008 0000!
11
12          .sslist
13
14 000a          SHIFT  R5,3
1         .loop  amount
#         .loop  3
1         RLA   dst
1         .endloop
2         000a 5505  RLA   dst
#         RLA   R5
2         000c 5505  RLA   dst
#         RLA   R5
2         000e 5505  RLA   dst
#         RLA   R5

```

**.string/.cstring**
**Initialize Text**
**Syntax**

```
.string {expr1 | "string1" } [, ... , {exprn | "stringn" } ]
```

```
.cstring {expr1 | "string1" } [, ... , {exprn | "stringn" } ]
```

**Description**

The **.string** and **.cstring** directives place 8-bit characters from a character string into the current section. The *expr* or *string* can be one of the following:

- An expression that the assembler evaluates and treats as an 8-bit signed number.
- A character string enclosed in double quotes. Each character in a string represents a separate value, and values are stored in consecutive bytes. The entire string *must* be enclosed in quotes.

The **.cstring** directive adds a NUL character needed by C; the **.string** directive does not add a NUL character. In addition, **.cstring** interprets C escapes (`\a \b \f \n \r \t \v \<octal>`).

The assembler truncates any values that are greater than eight bits. Operands must fit on a single source statement line.

If you use a label, it points to the location of the first byte that is initialized.

When you use **.string** and **.cstring** in a **.struct/.endstruct** sequence, the directive only defines a member's size; it does not initialize memory. For more information, see the [.struct/.endstruct/.tag](#) topic.

**Example**

In this example, 8-bit values are placed into consecutive words in the current section.

```

1 0000 0041  Str_Ptr:   .string  "ABCD"
   0001 0042
   0002 0043
   0003 0044
2 0004 0041           .string  41h, 42h, 43h, 44h
   0005 0042
   0006 0043
   0007 0044
3 0008 0041           .string  "Austin", "Houston", "Dallas"
   0009 0075
   000a 0073
   000b 0074
   000c 0069
   000d 006E
   000e 0048
   000f 006F
   0010 0075
   0011 0073
   0012 0074
   0013 006F
   0014 006E
   0015 0044
   0016 0061
   0017 006C
   0018 006C
   0019 0061
   001a 0073
4 001b 0030           .string  36 + 12

```

---

**.struct/.endstruct/.tag Declare Structure Type**


---

<b>Syntax</b>	[ <i>stag</i> ]	<b>.struct</b>	[ <i>expr</i> ]
	[ <i>mem</i> <sub>0</sub> ]	<i>element</i>	[ <i>expr</i> <sub>0</sub> ]
	[ <i>mem</i> <sub>1</sub> ]	<i>element</i>	[ <i>expr</i> <sub>1</sub> ]
	.	.	.
	.	.	.
	.	.	.
	[ <i>mem</i> <sub><i>n</i></sub> ]	<b>.tag</b> <i>stag</i>	[ <i>expr</i> <sub><i>n</i></sub> ]
	.	.	.
	.	.	.
	.	.	.
	[ <i>mem</i> <sub><i>N</i></sub> ]	<i>element</i>	[ <i>expr</i> <sub><i>N</i></sub> ]
	[ <i>size</i> ]	<b>.endstruct</b>	
	<i>label</i>	<b>.tag</b>	<i>stag</i>

**Description**

The **.struct** directive assigns symbolic offsets to the elements of a data structure definition. This allows you to group similar data elements together and let the assembler calculate the element offset. This is similar to a C structure or a Pascal record. The **.struct** directive does not allocate memory; it merely creates a symbolic template that can be used repeatedly.

The **.endstruct** directive terminates the structure definition.

The **.tag** directive gives structure characteristics to a *label*, simplifying the symbolic representation and providing the ability to define structures that contain other structures. The **.tag** directive does not allocate memory. The structure tag (*stag*) of a **.tag** directive must have been previously defined.

Following are descriptions of the parameters used with the **.struct**, **.endstruct**, and **.tag** directives:

- The *stag* is the structure's tag. Its value is associated with the beginning of the structure. If no *stag* is present, the assembler puts the structure members in the global symbol table with the value of their absolute offset from the top of the structure. The *stag* is optional for **.struct**, but is required for **.tag**.
- The *expr* is an optional expression indicating the beginning offset of the structure. The default starting point for a structure is 0.
- The *mem*<sub>*n*</sub> is an optional label for a member of the structure. This label is absolute and equates to the present offset from the beginning of the structure. A label for a structure member cannot be declared global.
- The *element* is one of the following descriptors: **.byte**, **.char**, **.word**, **.int**, **.long**, **.string**, **.double**, **.float**, **.half**, **.short**, **.field**, and **.tag**. All of these except **.tag** are typical directives that initialize memory. Following a **.struct** directive, these directives describe the structure element's size. They do not allocate memory. The **.tag** directive is a special case because *stag* must be used (as in the definition of *stag*).
- The *expr*<sub>*n*</sub> is an optional expression for the number of elements described. This value defaults to 1. A **.string** element is considered to be one byte in size, and a **.field** element is one bit.
- The *size* is an optional label for the total size of the structure.

---

**Directives that Can Appear in a .struct/.endstruct Sequence**

**NOTE:** The only directives that can appear in a **.struct/.endstruct** sequence are element descriptors, conditional assembly directives, and the **.align** directive, which aligns the member offsets on word boundaries. Empty structures are illegal.

---

The following examples show various uses of the .struct, .tag, and .endstruct directives.

**Example 1**

```

1          REAL_REC  .struct          ;stag
2      0000  NOM      .int              ;member1 = 0
3      0002  DEN      .int              ;member2 = 2
4      0004  REAL_LEN .endstruct       ;real_len = 4
5
6 0000          .bss    REAL, REAL_LEN
7
8 0000          .text
9 0000 521B     ADD.W   &REAL + REAL_REC.DEN,R11
    0002 0002!
10

```

**Example 2**

```

11 0000          .data
12          CPLX_REC .struct
13      0000  REALI   .tag    REAL_REC   ; stag
14      0004  IMAGI   .tag    REAL_REC   ; member1 = 0
15      0008  CPLX_LEN .endstruct       ; cplx_len = 8
16
17          COMPLEX  .tag    CPLX_REC    ; assign structure attrib
18
19 0004          .bss    COMPLEX, CPLX_LEN
20
21 0004          .text
22 0004 521B     ADD    &COMPLEX.REALI,R11 ; access structure
    0006 0004!

```

**Example 3**

```

1 0000          .data
2          .struct
3              ; no stag puts mems into
              ; global symbol table
4      0000  X      .int              ; create 3 dim templates
5      0002  Y      .int
6      0004  Z      .int
7      0006          .endstruct

```

**Example 4**

```

1 0000          .data
2          BIT_REC  .struct          ; stag
3      0000  STREAM  .string 64
4      0040  BIT7    .field  7        ; bits1 = 64
5      0040  BIT9    .field  9        ; bits2 = 64
6      0042  BIT10   .field 10       ; bits3 = 65
7      0044  X_INT   .int            ; x_int = 66
8      0046  BIT_LEN .endstruct       ; length = 67
9
10          BITS    .tag    BIT_REC
11
12 0000          .bss    BITS, BIT_REC
13
14 0000          .text
15 0000 521B     ADD    &BITS.BIT7,R11   ; move into R11
    0002 0040!
16 0004 F03B     AND    #127,R11        ; mask off garbage bits
    0006 007F

```





**.tab** *Define Tab Size*
**Syntax** `.tab size`
**Description** The **.tab** directive defines the tab size. Tabs encountered in the source input are translated to *size* character spaces in the listing. The default tab size is eight spaces.

**Example** In this example, each of the lines of code following a **.tab** statement consists of a single tab character followed by an NOP instruction.

**Source file:**

```

; default tab size
NOP
NOP
NOP
    .tab 4
NOP
NOP
NOP
    .tab 16
NOP
NOP
NOP

```

**Listing file:**

```

1          ; default tab size
2 0000 4303          NOP
3 0002 4303          NOP
4 0004 4303          NOP
5
7 0006 4303          NOP
8 0008 4303          NOP
9 000a 4303          NOP
10
12 000c 4303          NOP
13 000e 4303          NOP
14 0010 4303          NOP

```

## **.text** *Assemble Into the .text Section*

### Syntax

**.text**

### Description

The **.text** sets `.text` as the current section. Lines that follow this directive will be assembled into the `.text` section, which usually contains executable code. The section program counter is set to 0 if nothing has yet been assembled into the `.text` section. If code has already been assembled into the `.text` section, the section program counter is restored to its previous value in the section.

The `.text` section is the default section. Therefore, at the beginning of an assembly, the assembler assembles code into the `.text` section unless you use a `.data` or `.sect` directive to specify a different section.

For more information about sections, see [Chapter 2](#).

### Example

This example assembles code into the `.text` and `.data` sections.

```

1          *****
2          * Begin assembling into the .data section. *
3          *****
4 0000          .data
5 0000 000A          .byte 0Ah, 0Bh
   0001 000B
6 0002 0011  coeff  .word 011h,0x22,0x33
   0004 0022
   0006 0033
7
8          *****
9          * Begin assembling into the .text section. *
10         *****
11 0000          .text
12 0000 0041  START: .string "A", "B", "C"
   0001 0042
   0002 0043
13 0003 0058  $END:  .string "X", "Y", "Z"
   0004 0059
   0005 005A
14 0006 403A          MOV.W  #0x1234,R10
   0008 1234
15 000a 521A          ADD.W  &coeff+1,R10
   000c 0003!
16
17         *****
18         * Resume assembling into .data section. *
19         *****
20 0008          .data
21 0008 000C          .byte  0Ch, 0Dh
   0009 000D
22
23         *****
24         * Resume assembling into .text section. *
25         *****
26 000e          .text
27 000e 0051          .string "QUIT"
   000f 0055
   0010 0049
   0011 0054

```

**.title**
**Define Page Title**
**Syntax**
**.title "string"**
**Description**

The **.title** directive supplies a title that is printed in the heading on each listing page. The source statement itself is not printed, but the line counter is incremented.

The *string* is a quote-enclosed title of up to 64 characters. If you supply more than 64 characters, the assembler truncates the string and issues a warning:

```
*** WARNING! line x: W0001: String is too long - will be truncated
```

The assembler prints the title on the page that follows the directive and on subsequent pages until another **.title** directive is processed. If you want a title on the first page, the first source statement must contain a **.title** directive.

**Example**

In this example, one title is printed on the first page and a different title is printed on succeeding pages.

**Source file:**

```

        .title  "**** Fast Fourier Transforms ****"
;
;
;
        .title  "**** Floating-Point Routines ****"
        .page

```

**Listing file:**

```

MSP430 Assembler PC vx.x.x      Day   Time   Year

Tools Copyright (c) 2003-2011 Texas Instruments Incorporated
**** Fast Fourier Transforms ****                                PAGE 1

      2          ;          .
      3          ;          .
      4          ;          .

MSP430 Assembler PC vx.x.x      Day   Time   Year

Tools Copyright (c) 2003-2011 Texas Instruments Incorporated
**** Floating-Point Routines ****                                PAGE 2

```

No Errors, No Warnings

**.unasg/.undefine**     *Turn Off Substitution Symbol*

---

**Syntax***.unasg symbol**.undefine symbol***Description**

The **.unasg** and **.undefine** directives remove the definition of a substitution symbol created using **.asg** or **.define**. The named *symbol* will be removed from the substitution symbol table from the point of the **.undefine** or **.unasg** to the end of the assembly file. See [Section 4.8.8](#) for more information on substitution symbols.

These directives can be used to remove from the assembly environment any C/C++ macros that may cause a problem. See [Chapter 13](#) for more information about using C/C++ headers in assembly source.

## **.usect** *Reserve Uninitialized Space*

**Syntax** *symbol .usect "section name", size in bytes[, alignment]*

### **Description**

The **.usect** directive reserves space for variables in an uninitialized, named section. This directive is similar to the **.bss** directive (see [.bss topic](#)); both simply reserve space for data and that space has no contents. However, **.usect** defines additional sections that can be placed anywhere in memory, independently of the **.bss** section.

- The *symbol* points to the first location reserved by this invocation of the **.usect** directive. The symbol corresponds to the name of the variable for which you are reserving space.
- The *section name* must be enclosed in double quotes. This parameter names the uninitialized section. A section name can contain a subsection name in the form *section name : subsection name*.
- The *size in bytes* is an expression that defines the number of bytes that are reserved in *section name*.
- The *alignment* is an optional parameter that ensures that the space allocated to the symbol occurs on the specified boundary. The boundary can be set to a power of 2 between  $2^0$  and  $2^{15}$ , inclusive. If the SPC is already aligned at the specified boundary, it is not incremented.

Initialized sections directives (**.text**, **.data**, and **.sect**) tell the assembler to pause assembling into the current section and begin assembling into another section. A **.usect** or **.bss** directive encountered in the current section is simply assembled, and assembly continues in the current section.

Variables that can be located contiguously in memory can be defined in the same specified section; to do so, repeat the **.usect** directive with the same section name and the subsequent symbol (variable name).

For more information about sections, see [Chapter 2](#).

### **Example**

This example uses the **.usect** directive to define two uninitialized, named sections, **var1** and **var2**. The symbol **ptr** points to the first byte reserved in the **var1** section. The symbol **array** points to the first byte in a block of 100 bytes reserved in **var1**, and **dflag** points to the first byte in a block of 50 bytes in **var1**. The symbol **vec** points to the first byte reserved in the **var2** section.

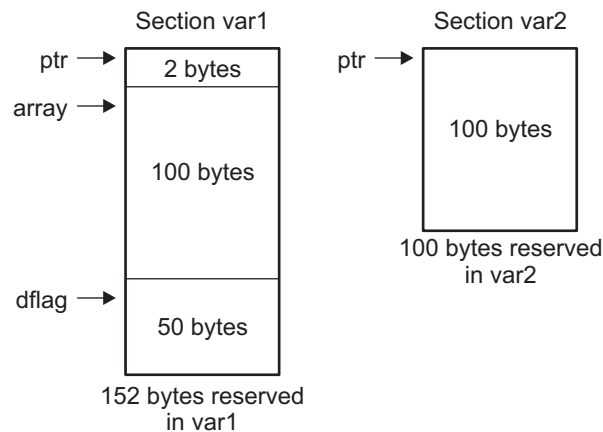
Figure 5-8 shows how this example reserves space in two uninitialized sections, var1 and var2.

```

1          *****
2          **          Assemble into the .text section.          **
3          *****
4 0000          .text
5 0000 403B          MOV #0x3,R11
   0002 0003
6
7          *****
8          **          Reserve 2 bytes in the var1 section.          **
9          *****
10 0000          ptr          .usect "var1",2
11
12          *****
13          **          Reserve 100 bytes in the var1 section.          **
14          *****
15 0002          array          .usect "var1",100
16
17 0004 503B          ADD #37,R11
   0006 0025
18
19          *****
20          **          Reserve 50 bytes in the var1 section.          **
21          *****
22 0066          dflag          .usect "var1",50
23
24 0008 503C          ADD #dflag-array,R12
   000a 0064
25
26          *****
27          ** Reserve 100 bytes in the var2 section. **
28          *****
29 0000          vec          .usect "var2",100
30
31 000c 5C0B          ADD R12,R11
32
33          *****
34          **          Declare a .usect symbol to be external.          **
35          *****
36          .global array

```

Figure 5-8. The .usect Directive



---

**.var** *Use Substitution Symbols as Local Variables*


---

**Syntax** `.var sym1 [, sym2 , ... , symn ]`

**Description** The **.var** directive allows you to use substitution symbols as local variables within a macro. With this directive, you can define up to 32 local macro substitution symbols (including parameters) per macro.

The **.var** directive creates temporary substitution symbols with the initial value of the null string. These symbols are not passed in as parameters, and they are lost after expansion.

See [Section 4.8.8](#) for more information on substitution symbols. See [Chapter 6](#) for information on macros.

---

**.weak** *Identify a Symbol to be Treated as a Weak Symbol*


---

**Syntax** `.weak symbol name`

**Description** The **.weak** directive identifies a symbol that is used in the current module but is defined in another module. The linker resolves this symbol's definition at link time. Instead of including a weak symbol in the output file's symbol table by default (as it would for a global symbol), the linker only includes a weak symbol in the output of a "final" link if the symbol is required to resolve an otherwise unresolved reference. See [Section 2.6.3](#) for details about how weak symbols are handled by the linker.

The **.weak** directive is equivalent to the **.ref** directive, except that the reference has weak linkage.

The **.weak** directive always creates a symbol table entry for a symbol, whether the module uses the symbol or not. The **.symdepend** directive, in contrast, creates a symbol table entry only if the module actually uses the symbol (see [.symdepend topic](#)).

If a symbol is *not defined in the current module* (which includes macro, copy, and include files), use the **.weak** directive to tell the assembler that the symbol is defined in an external module. This prevents the assembler from issuing an unresolved reference error. At link time, the linker looks for the symbol's definition in other modules.

For example, use the **.weak** and **.set** directives in combination as shown in the following example, which defines a weak absolute symbol "ext\_addr\_sym":

```

                .weak   ext_addr_sym
ext_addr_sym   .set    0x12345678

```

If you assemble such assembly source and include the resulting object file in the link, the "ext\_addr\_sym" in this example is available as a weak absolute symbol in a final link. It is a candidate for removal if the symbol is not referenced elsewhere in the application.



## Macro Language Description

---



---

The MSP430 assembler supports a macro language that enables you to create your own instructions. This is especially useful when a program executes a particular task several times. The macro language lets you:

- Define your own macros and redefine existing macros
- Simplify long or complicated assembly code
- Access macro libraries created with the archiver
- Define conditional and repeatable blocks within a macro
- Manipulate strings within a macro
- Control expansion listing

Topic	Page
<b>6.1 Using Macros .....</b>	<b>138</b>
<b>6.2 Defining Macros .....</b>	<b>138</b>
<b>6.3 Macro Parameters/Substitution Symbols .....</b>	<b>140</b>
<b>6.4 Macro Libraries .....</b>	<b>146</b>
<b>6.5 Using Conditional Assembly in Macros .....</b>	<b>147</b>
<b>6.6 Using Labels in Macros .....</b>	<b>149</b>
<b>6.7 Producing Messages in Macros .....</b>	<b>150</b>
<b>6.8 Using Directives to Format the Output Listing .....</b>	<b>151</b>
<b>6.9 Using Recursive and Nested Macros .....</b>	<b>152</b>
<b>6.10 Macro Directives Summary .....</b>	<b>153</b>

## 6.1 Using Macros

Programs often contain routines that are executed several times. Instead of repeating the source statements for a routine, you can define the routine as a macro, then call the macro in the places where you would normally repeat the routine. This simplifies and shortens your source program.

If you want to call a macro several times but with different data each time, you can assign parameters within a macro. This enables you to pass different information to the macro each time you call it. The macro language supports a special symbol called a *substitution symbol*, which is used for macro parameters. See [Section 6.3](#) for more information.

Using a macro is a 3-step process.

- Step 1. **Define the macro.** You must define macros before you can use them in your program. There are two methods for defining macros:
  - a. Macros can be defined at the beginning of a *source file* or in a copy/include file. See [Section 6.2, Defining Macros](#), for more information.
  - b. Macros can also be defined in a *macro library*. A macro library is a collection of files in archive format created by the archiver. Each member of the archive file (macro library) may contain one macro definition corresponding to the member name. You can access a macro library by using the `.mlib` directive. For more information, see [Section 6.4](#).
- Step 2. **Call the macro.** After you have defined a macro, call it by using the macro name as a mnemonic in the source program. This is referred to as a *macro call*.
- Step 3. **Expand the macro.** The assembler expands your macros when the source program calls them. During expansion, the assembler passes arguments by variable to the macro parameters, replaces the macro call statement with the macro definition, then assembles the source code. By default, the macro expansions are printed in the listing file. You can turn off expansion listing by using the `.mnlst` directive. For more information, see [Section 6.8](#).

When the assembler encounters a macro definition, it places the macro name in the opcode table. This redefines any previously defined macro, library entry, directive, or instruction mnemonic that has the same name as the macro. This allows you to expand the functions of directives and instructions, as well as to add new instructions.

## 6.2 Defining Macros

You can define a macro anywhere in your program, but you must define the macro before you can use it. Macros can be defined at the beginning of a source file or in a `.copy/.include` file (see [Copy Source File](#)); they can also be defined in a macro library. For more information about macro libraries, see [Section 6.4](#).

Macro definitions can be nested, and they can call other macros, but all elements of the macro must be defined in the same file. Nested macros are discussed in [Section 6.9](#).

A macro definition is a series of source statements in the following format:

```

macname  .macro  [parameter1] [, ... , parametern]
           model statements or macro directives
           [.mexit]
           .endm
    
```

*macname* names the macro. You must place the name in the source statement's label field. Only the first 128 characters of a macro name are significant. The assembler places the macro name in the internal opcode table, replacing any instruction or previous macro definition with the same name.

**.macro** is the directive that identifies the source statement as the first line of a macro definition. You must place `.macro` in the opcode field.

*parameter*<sub>1</sub>,  
*parameter*<sub>*n*</sub> are optional substitution symbols that appear as operands for the `.macro` directive. Parameters are discussed in [Section 6.3](#).

<i>model statements</i>	are instructions or assembler directives that are executed each time the macro is called.
<i>macro directives</i>	are used to control macro expansion.
<b>.mexit</b>	is a directive that functions as a <i>goto .endm</i> . The <i>.mexit</i> directive is useful when error testing confirms that macro expansion fails and completing the rest of the macro is unnecessary.
<b>.endm</b>	is the directive that terminates the macro definition.

If you want to include comments with your macro definition but *do not* want those comments to appear in the macro expansion, use an exclamation point to precede your comments. If you *do* want your comments to appear in the macro expansion, use an asterisk or semicolon. See [Section 6.7](#) for more information about macro comments.

[Example 6-1](#) shows the definition, call, and expansion of a macro.

### **Example 6-1. Macro Definition, Call, and Expansion**

Macro definition: The following code defines a macro, `add3`, with four parameters:

```

1          add3      .macro  P1,P2,P3,SUM
2                      MOV   #0,SUM
3                      ADD   P1,SUM
4                      ADD   P2,SUM
5                      ADD   P3,SUM
6                      .endm

```

Macro call: The following code calls the `add3` macro with four arguments:

```

7
8 0000          add3      R11,R12,R13,R14

```

Macro expansion: The following code shows the substitution of the macro definition for the macro call. The assembler substitutes `R11`, `R12`, `R13`, and `R14` for the `P1`, `P2`, `P3`, and `SUM` parameters of `add3`.

```

1      0000 430E          MOV   #0,R14
1      0002 5B0E          ADD   R11,R14
1      0004 5C0E          ADD   R12,R14
1      0006 5D0E          ADD   R13,R14

```

### 6.3 Macro Parameters/Substitution Symbols

If you want to call a macro several times with different data each time, you can assign parameters within the macro. The macro language supports a special symbol, called a *substitution symbol*, which is used for macro parameters.

Macro parameters are substitution symbols that represent a character string. These symbols can also be used outside of macros to equate a character string to a symbol name (see [Section 4.8.8](#)).

Valid substitution symbols can be up to 128 characters long and *must begin with a letter*. The remainder of the symbol can be a combination of alphanumeric characters, underscores, and dollar signs.

Substitution symbols used as macro parameters are local to the macro they are defined in. You can define up to 32 local substitution symbols (including substitution symbols defined with the `.var` directive) per macro. For more information about the `.var` directive, see [Section 6.3.6](#).

During macro expansion, the assembler passes arguments by variable to the macro parameters. The character-string equivalent of each argument is assigned to the corresponding parameter. Parameters without corresponding arguments are set to the null string. If the number of arguments exceeds the number of parameters, the last parameter is assigned the character-string equivalent of all remaining arguments.

If you pass a list of arguments to one parameter or if you pass a comma or semicolon to a parameter, you must surround these terms with quotation marks.

At assembly time, the assembler replaces the macro parameter/substitution symbol with its corresponding character string, then translates the source code into object code.

[Example 6-2](#) shows the expansion of a macro with varying numbers of arguments.

#### Example 6-2. Calling a Macro With Varying Numbers of Arguments

##### Macro definition:

```

Parms      .macro      a,b,c
;          a = :a:
;          b = :b:
;          c = :c:
          .endm

```

##### Calling the macro:

<pre> Parms      100,label ;          a = 100 ;          b = label ;          c = "" </pre>	<pre> Parms      100,label,x,y ;          a = 100 ;          b = label ;          c = x,y </pre>
<pre> Parms      100, , x ;          a = 100 ;          b = "" ;          c = x </pre>	<pre> Parms      "100,200,300",x,y ;          a = 100,200,300 ;          b = x ;          c = y </pre>
<pre> Parms      ""string"",x,y ;          a = "string" ;          b = x ;          c = y </pre>	

### 6.3.1 Directives That Define Substitution Symbols

You can manipulate substitution symbols with the **.asg** and **.eval** directives.

- The **.asg** directive assigns a character string to a substitution symbol.

For the **.asg** directive, the quotation marks are optional. If there are no quotation marks, the assembler reads characters up to the first comma and removes leading and trailing blanks. In either case, a character string is read and assigned to the *substitution symbol*. The syntax of the **.asg** directive is:

```
.asg["]character string["], substitution symbol
```

[Example 6-3](#) shows character strings being assigned to substitution symbols.

#### Example 6-3. The **.asg** Directive

```
.asg R13, stack_ptr ; stack pointer
```

- The **.eval** directive performs arithmetic on numeric substitution symbols.

The **.eval** directive evaluates the *expression* and assigns the string value of the result to the *substitution symbol*. If the expression is not well defined, the assembler generates an error and assigns the null string to the symbol. The syntax of the **.eval** directive is:

```
.eval well-defined expression , substitution symbol
```

[Example 6-4](#) shows arithmetic being performed on substitution symbols.

#### Example 6-4. The **.eval** Directive

```
.asg 1,counter
.loop 100
.word counter
.eval counter + 1,counter
.endloop
```

In [Example 6-4](#), the **.asg** directive could be replaced with the **.eval** directive (**.eval 1, counter**) without changing the output. In simple cases like this, you can use **.eval** and **.asg** interchangeably. However, you must use **.eval** if you want to calculate a *value* from an expression. While **.asg** only assigns a character string to a substitution symbol, **.eval** evaluates an expression and then assigns the character string equivalent to a substitution symbol.

See [Assign a Substitution Symbol](#) for more information about the **.asg** and **.eval** assembler directives.

### 6.3.2 Built-In Substitution Symbol Functions

The following built-in substitution symbol functions enable you to make decisions on the basis of the string value of substitution symbols. These functions always return a value, and they can be used in expressions. Built-in substitution symbol functions are especially useful in conditional assembly expressions. Parameters of these functions are substitution symbols or character-string constants.

In the function definitions shown in [Table 6-1](#), *a* and *b* are parameters that represent substitution symbols or character-string constants. The term *string* refers to the string value of the parameter. The symbol *ch* represents a character constant.

**Table 6-1. Substitution Symbol Functions and Return Values**

Function	Return Value
<b>\$symlen</b> ( <i>a</i> )	Length of string <i>a</i>
<b>\$symcmp</b> ( <i>a,b</i> )	< 0 if <i>a</i> < <i>b</i> ; 0 if <i>a</i> = <i>b</i> ; > 0 if <i>a</i> > <i>b</i>
<b>\$firstch</b> ( <i>a,ch</i> )	Index of the first occurrence of character constant <i>ch</i> in string <i>a</i>
<b>\$lastch</b> ( <i>a,ch</i> )	Index of the last occurrence of character constant <i>ch</i> in string <i>a</i>
<b>\$isdefed</b> ( <i>a</i> )	1 if string <i>a</i> is defined in the symbol table 0 if string <i>a</i> is not defined in the symbol table
<b>\$ismember</b> ( <i>a,b</i> )	Top member of list <i>b</i> is assigned to string <i>a</i> 0 if <i>b</i> is a null string
<b>\$iscons</b> ( <i>a</i> )	1 if string <i>a</i> is a binary constant 2 if string <i>a</i> is an octal constant 3 if string <i>a</i> is a hexadecimal constant 4 if string <i>a</i> is a character constant 5 if string <i>a</i> is a decimal constant
<b>\$isname</b> ( <i>a</i> )	1 if string <i>a</i> is a valid symbol name 0 if string <i>a</i> is not a valid symbol name
<b>\$isreg</b> ( <i>a</i> ) <sup>(1)</sup>	1 if string <i>a</i> is a valid predefined register name 0 if string <i>a</i> is not a valid predefined register name

<sup>(1)</sup> For more information about predefined register names, see [Section 4.8.6](#).

[Example 6-5](#) shows built-in substitution symbol functions.

#### Example 6-5. Using Built-In Substitution Symbol Functions

```
.asg  label, ADDR                ; ADDR = label
.if  ($symcmp(ADDR, "label") = 0) ; evaluates to true
MOV  #ADDR, R4
.endif
.asg  "x,y,z" , list            ; list = x,y,z
.if  ($ismember(ADDR,list))    ; ADDR = x, list = y,z
SUB  #4, R4                    ; sub x
.endif
```

### 6.3.3 Recursive Substitution Symbols

When the assembler encounters a substitution symbol, it attempts to substitute the corresponding character string. If that string is also a substitution symbol, the assembler performs substitution again. The assembler continues doing this until it encounters a token that is not a substitution symbol or until it encounters a substitution symbol that it has already encountered during this evaluation.

In [Example 6-6](#), the x is substituted for z; z is substituted for y; and y is substituted for x. The assembler recognizes this as infinite recursion and ceases substitution.

#### **Example 6-6. Recursive Substitution**

```
.asg "x",z ; declare z and assign z = "x"
.asg "z",y ; declare y and assign y = "z"
.asg "y",x ; declare x and assign x = "y"
MOV #x, R11
```

### 6.3.4 Forced Substitution

In some cases, substitution symbols are not recognizable to the assembler. The forced substitution operator, which is a set of colons surrounding the symbol, enables you to force the substitution of a symbol's character string. Simply enclose a symbol with colons to force the substitution. Do not include any spaces between the colons and the symbol. The syntax for the forced substitution operator is:

```
:symbol:
```

The assembler expands substitution symbols surrounded by colons before expanding other substitution symbols.

You can use the forced substitution operator only inside macros, and you cannot nest a forced substitution operator within another forced substitution operator.

[Example 6-7](#) shows how the forced substitution operator is used.

**Example 6-7. Using the Forced Substitution Operator**

```

1          force .macro
2              .asg 0,x
3              .loop 8
4          AUX:x: .set x
5              .eval x+1,x
6              .endloop
7              .endm
8
9 00000000          force
1             .asg 0,x
1             .loop 8
1             AUX:x: .set x
1             .eval x+1,x
1             .endloop
2 00000000 AUX0 .set 0
2             .eval 0+1,x
2 00000001 AUX1 .set 1
2             .eval 1+1,x
2 00000002 AUX2 .set 2
2             .eval 2+1,x
2 00000003 AUX3 .set 3
2             .eval 3+1,x
2 00000004 AUX4 .set 4
2             .eval 4+1,x
2 00000005 AUX5 .set 5
2             .eval 5+1,x
2 00000006 AUX6 .set 6
2             .eval 6+1,x
2 00000007 AUX7 .set 7
2             .eval 7+1,x
    
```

**6.3.5 Accessing Individual Characters of Subscripted Substitution Symbols**

In a macro, you can access the individual characters (substrings) of a substitution symbol with subscripted substitution symbols. You must use the forced substitution operator for clarity.

You can access substrings in two ways:

- `:symbol (well-defined expression)`:

This method of subscripting evaluates to a character string with one character.

- `:symbol (well-defined expression1, well-defined expression2)`:

In this method, expression<sub>1</sub> represents the substring's starting position, and expression<sub>2</sub> represents the substring's length. You can specify exactly where to begin subscripting and the exact length of the resulting character string. *The index of substring characters begins with 1, not 0.*

[Example 6-8](#) and [Example 6-9](#) show built-in substitution symbol functions used with subscripted substitution symbols. In [Example 6-8](#), subscripted substitution symbols redefine the ADD instruction so that it handles short immediate values. In [Example 6-9](#), the subscripted substitution symbol is used to find a substring strg1 beginning at position start in the string strg2. The position of the substring strg1 is assigned to the substitution symbol pos.



**Example 6-8. Using Subscripted Substitution Symbols to Redefine an Instruction**

```

ADDX    .macro      dst, imm
        .var        TMP
        .asg        :imm(1):, TMP
        .if         $symcmp(TMP, "#") = 0
        ADD        imm, dst
        .else
        .emsg       "Bad Macro Parameter"
        .endif
        .endm

        ADDX       R9, #100           ; macro call
        ADDX       R9, R8            ; macro call

```

**Example 6-9. Using Subscripted Substitution Symbols to Find Substrings**

```

substr  .macro      start, strg1, strg2, pos
        .var        LEN1, LEN2, I, TMP
        .if         $symlen(start) = 0
        .eval      1, start
        .endif
        .eval      0, pos
        .eval      1, i
        .eval      $symlen(strg1), LEN1
        .eval      $symlen(strg2), LEN2
        .loop
        .break     i = (LEN2 - LEN1 + 1)
        .asg       ":strg2(I, LEN1):", TMP
        .eval      i, pos
        .break
        .else
        .eval      i + 1, i
        .endif
        .endloop
        .endm

        .asg       0, pos
        .asg       "ar1 ar2 ar3 ar4", regs
        substr     1, "ar2", regs, pos
        .word      pos

```

**6.3.6 Substitution Symbols as Local Variables in Macros**

If you want to use substitution symbols as local variables within a macro, you can use the **.var** directive to define up to 32 local macro substitution symbols (including parameters) per macro. The **.var** directive creates temporary substitution symbols with the initial value of the null string. These symbols are not passed in as parameters, and they are lost after expansion.

```
.var sym1 [,sym2 , ... ,symn ]
```

The **.var** directive is used in [Example 6-8](#) and [Example 6-9](#).

## 6.4 Macro Libraries

One way to define macros is by creating a macro library. A macro library is a collection of files that contain macro definitions. You must use the archiver to collect these files, or members, into a single file (called an archive). Each member of a macro library contains one macro definition. The files in a macro library must be unassembled source files. The macro name and the member name must be the same, and the macro filename's extension must be .asm. For example:

Macro Name	Filename in Macro Library
simple	simple.asm
add3	add3.asm

You can access the macro library by using the .mlib assembler directive (described in [Define Macro Library](#)). The syntax is:

```
.mlib filename
```

When the assembler encounters the .mlib directive, it opens the library named by filename and creates a table of the library's contents. The assembler enters the names of the individual members within the library into the opcode tables as library entries; this redefines any existing opcodes or macros that have the same name. If one of these macros is called, the assembler extracts the entry from the library and loads it into the macro table.

The assembler expands the library entry the same way it expands other macros. See [Section 6.1](#) for how the assembler expands macros. You can control the listing of library entry expansions with the .mlist directive. For information about the .mlist directive, see [Section 6.8](#) and [Start/Stop Macro Expansion Listing](#). Only macros that are actually called from the library are extracted, and they are extracted only once.

You can use the archiver to create a macro library by including the desired files in an archive. A macro library is no different from any other archive, except that the assembler expects the macro library to contain macro definitions. The assembler expects *only* macro definitions in a macro library; putting object code or miscellaneous source files into the library may produce undesirable results. For information about creating a macro library archive, see [Section 7.1](#).

## 6.5 Using Conditional Assembly in Macros

The conditional assembly directives are **.if/.elseif/.else/.endif** and **.loop/.break/.endloop**. They can be nested within each other up to 32 levels deep. The format of a conditional block is:

```
.if well-defined expression
[.elseif well-defined expression]
[.else]
.endif
```

The **.elseif** and **.else** directives are optional in conditional assembly. The **.elseif** directive can be used more than once within a conditional assembly code block. When **.elseif** and **.else** are omitted and when the **.if** expression is false (0), the assembler continues to the code following the **.endif** directive. See [Assemble Conditional Blocks](#) for more information on the **.if/.elseif/.else/.endif** directives.

The **.loop/.break/.endloop** directives enable you to assemble a code block repeatedly. The format of a repeatable block is:

```
.loop [well-defined expression]
[.break [well-defined expression]]
.endloop
```

The **.loop** directive's optional *well-defined expression* evaluates to the loop count (the number of loops to be performed). If the expression is omitted, the loop count defaults to 1024 unless the assembler encounters a **.break** directive with an expression that is true (nonzero). See [Assemble Conditional Blocks Repeatedly](#) for more information on the **.loop/.break/.endloop** directives.

The **.break** directive and its expression are optional in repetitive assembly. If the expression evaluates to false, the loop continues. The assembler breaks the loop when the **.break** expression evaluates to true or when the **.break** expression is omitted. When the loop is broken, the assembler continues with the code after the **.endloop** directive. For more information, see [Section 5.7](#).

[Example 6-10](#), [Example 6-11](#), and [Example 6-12](#) show the `.loop/.break/.endloop` directives, properly nested conditional assembly directives, and built-in substitution symbol functions used in a conditional assembly code block.

### **Example 6-10. The `.loop/.break/.endloop` Directives**

```
.asg    1,x
.loop

.break  (x == 10) ; if x == 10, quit loop/break with expression

.eval   x+1,x
.endloop
```

### **Example 6-11. Nested Conditional Assembly Directives**

```
.asg    1,x
.loop

.if     (x == 10) ; if x == 10, quit loop
.break  (x == 10) ; force break
.endif

.eval   x+1,x
.endloop
```

### **Example 6-12. Built-In Substitution Symbol Functions in a Conditional Assembly Code Block**

```
.fcnolist

* Increment or decrement
INCDEC .macro OP,dst
    .if     $symcmp(OP, "+")
        ADD    #1,dst
    .elseif $symcmp(OP, "-")
        SUB    #1,dst
    .else
        .emsg  "Incorrect Operator Parameter"
    .endif
.endm

* Macro Call

INCDEC +,R11
```

## 6.6 Using Labels in Macros

All labels in an assembly language program must be unique. This includes labels in macros. If a macro is expanded more than once, its labels are defined more than once. *Defining a label more than once is illegal.* The macro language provides a method of defining labels in macros so that the labels are unique. Simply follow each label with a question mark, and the assembler replaces the question mark with a period followed by a unique number. When the macro is expanded, *you do not see the unique number in the listing file.* Your label appears with the question mark as it did in the macro definition. You cannot declare this label as global. See [Section 4.8.3](#) for more about labels.

The syntax for a unique label is:

*label ?*

[Example 6-13](#) shows unique label generation in a macro. The maximum label length is shortened to allow for the unique suffix. For example, if the macro is expanded fewer than 10 times, the maximum label length is 126 characters. If the macro is expanded from 10 to 99 times, the maximum label length is 125. The label with its unique suffix is shown in the cross-listing file. To obtain a cross-listing file, invoke the assembler with the `--cross_reference` option (see [Section 4.3](#)).

### Example 6-13. Unique Labels in a Macro

```

1          * Define macro to find minimum
2
3          MIN      .macro  src1,src2,dst
4                  CMP      src1,src2
5                  JL       m1?
6                  MOV      src1,dst
7                  JMP      m2?
8          m1?     MOV      src2,dst
9          m2?
10         .endm
11
12 0000          MIN      R11,R12,R13
1 0000 9B0C      CMP      R11,R12
1 0002 3802      JL       m1?
1 0004 4B0D      MOV      R11,R13
1 0006 3C01      JMP      m2?
1 0008 4C0D  m1?  MOV      R12,R13
1                          m2?
```

## 6.7 Producing Messages in Macros

The macro language supports three directives that enable you to define your own assembly-time error and warning messages. These directives are especially useful when you want to create messages specific to your needs. The last line of the listing file shows the error and warning counts. These counts alert you to problems in your code and are especially useful during debugging.

- .emsg** sends error messages to the listing file. The `.emsg` directive generates errors in the same manner as the assembler, incrementing the error count and preventing the assembler from producing an object file.
- .mmsg** sends assembly-time messages to the listing file. The `.mmsg` directive functions in the same manner as the `.emsg` directive but does not set the error count or prevent the creation of an object file.
- .wmsg** sends warning messages to the listing file. The `.wmsg` directive functions in the same manner as the `.emsg` directive, but it increments the warning count and does not prevent the generation of an object file.

**Macro comments** are comments that appear in the definition of the macro *but do not show up in the expansion of the macro*. An exclamation point in column 1 identifies a macro comment. If you want your comments to appear in the macro expansion, precede your comment with an asterisk or semicolon.

[Example 6-14](#) shows user messages in macros and macro comments that do not appear in the macro expansion. For more information about the `.emsg`, `.mmsg`, and `.wmsg` assembler directives, see [Define Messages](#).

### Example 6-14. Producing Messages in a Macro

```

1          MUL_I  .macro x,y
2                  .if ($symlen(x) == 0)
3                      .emsg "ERROR -- Missing Parameter"
4                      .mexit
5                      .elseif ($symlen(y) == 0)
6                      .emsg "ERROR -- Missing Parameter"
7                      .mexit
8                      .else
9                          MOV  x, R11
10                         MOV  y, R12
11                     .endif
12                 .endm
13
14 0000          MUL_I #50, #51
1          .if ($symlen(x) == 0)
1              .emsg "ERROR -- Missing Parameter"
1              .mexit
1              .elseif ($symlen(y) == 0)
1              .emsg "ERROR -- Missing Parameter"
1              .mexit
1              .else
1                  MOV  #50, R11
1          0000 403B          MOV  #51, R12
1          0002 0032
1          0004 403C
1          0006 0033
1              .endif
15
16 0008          MUL_I
1          .if ($symlen(x) == 0)
1              .emsg "ERROR -- Missing Parameter"
"macromsg.asm", ERROR!  at line 16: [ ***** USER ERROR ***** - ] ERROR -- Missing Parameter
1              .mexit
17
18
1 Assembly Error, No Assembly Warnings
    
```

## 6.8 Using Directives to Format the Output Listing

Macros, substitution symbols, and conditional assembly directives may hide information. You may need to see this hidden information, so the macro language supports an expanded listing capability.

By default, the assembler shows macro expansions and false conditional blocks in the list output file. You may want to turn this listing off or on within your listing file. Four sets of directives enable you to control the listing of this information:

- **Macro and loop expansion listing**

**.mlist** expands macros and `.loop/.endloop` blocks. The `.mlist` directive prints all code encountered in those blocks.

**.mnolist** suppresses the listing of macro expansions and `.loop/ .endloop` blocks.

For macro and loop expansion listing, `.mlist` is the default.

- **False conditional block listing**

**.fclist** causes the assembler to include in the listing file all conditional blocks that do not generate code (false conditional blocks). Conditional blocks appear in the listing exactly as they appear in the source code.

**.fcnolist** suppresses the listing of false conditional blocks. Only the code in conditional blocks that actually assemble appears in the listing. The `.if`, `.elseif`, `.else`, and `.endif` directives do not appear in the listing.

For false conditional block listing, `.fclist` is the default.

- **Substitution symbol expansion listing**

**.sslist** expands substitution symbols in the listing. This is useful for debugging the expansion of substitution symbols. The expanded line appears below the actual source line.

**.ssnolist** turns off substitution symbol expansion in the listing.

For substitution symbol expansion listing, `.ssnolist` is the default.

- **Directive listing**

**.drlist** causes the assembler to print to the listing file all directive lines.

**.drnolist** suppresses the printing of certain directives in the listing file. These directives are `.asg`, `.eval`, `.var`, `.sslist`, `.mlist`, `.fclist`, `.ssnolist`, `.mnolist`, `.fcnolist`, `.emsg`, `.wmsg`, `.mmsg`, `.length`, `.width`, and `.break`.

For directive listing, `.drlist` is the default.

## 6.9 Using Recursive and Nested Macros

The macro language supports recursive and nested macro calls. This means that you can call other macros in a macro definition. You can nest macros up to 32 levels deep. When you use recursive macros, you call a macro from its own definition (the macro calls itself).

When you create recursive or nested macros, you should pay close attention to the arguments that you pass to macro parameters because the assembler uses dynamic scoping for parameters. This means that the called macro uses the environment of the macro from which it was called.

[Example 6-15](#) shows nested macros. The `y` in the `in_block` macro hides the `y` in the `out_block` macro. The `x` and `z` from the `out_block` macro, however, are accessible to the `in_block` macro.

### Example 6-15. Using Nested Macros

```

in_block .macro y,a
        .                ; visible parameters are y,a and x,z from the calling macro
        .endm

out_block .macro      x,y,z
        .                ; visible parameters are x,y,z
        .
        in_block x,y ; macro call with x and y as arguments
        .
        .
        .endm
out_block      ; macro call

```

[Example 6-16](#) shows recursive and fact macros. The `fact` macro produces assembly code necessary to calculate the factorial of `n`, where `n` is an immediate value. The result is placed in data memory address `loc`. The `fact` macro accomplishes this by calling `fact1`, which calls itself recursively.

### Example 6-16. Using Recursive Macros

```

fact .macro N,loc
    .if N < 2
    MOV #1,&loc
    .else
    MOV #N,&loc
    .eval N-1,N
    fact1
    .endif
    .endm

fact1 .macro
    .if N > 1
    MOV #N,R12 ; Assume MPY requires args to be in R12,R13
    MOV &loc,R13
    CALL MPY
    MOV R12,&loc ; Assume MPY returns product in R12
    .eval N - 1,N
    fact1
    .endif

    .endm

.global fact_result
.global MPY

fact 5,fact_result

```



## 6.10 Macro Directives Summary

The directives listed in [Table 6-2](#) through [Table 6-6](#) can be used with macros. The `.macro`, `.mexit`, `.endm` and `.var` directives are valid only with macros; the remaining directives are general assembly language directives.

**Table 6-2. Creating Macros**

Mnemonic and Syntax	Description	See	
		Macro Use	Directive
<code>.endm</code>	End macro definition	<a href="#">Section 6.2</a>	<code>.endm</code>
<code>macname .macro</code> [ <i>parameter<sub>1</sub></i> ][ <i>,... , parameter<sub>n</sub></i> ]	Define macro by <i>macname</i>	<a href="#">Section 6.2</a>	<code>.macro</code>
<code>.mexit</code>	Go to <code>.endm</code>	<a href="#">Section 6.2</a>	<a href="#">Section 6.2</a>
<code>.mlib filename</code>	Identify library containing macro definitions	<a href="#">Section 6.4</a>	<code>.mlib</code>

**Table 6-3. Manipulating Substitution Symbols**

Mnemonic and Syntax	Description	See	
		Macro Use	Directive
<code>.asg</code> [ <i>character string</i> "], <i>substitution symbol</i>	Assign character string to substitution symbol	<a href="#">Section 6.3.1</a>	<code>.asg</code>
<code>.eval</code> <i>well-defined expression</i> , <i>substitution symbol</i>	Perform arithmetic on numeric substitution symbols	<a href="#">Section 6.3.1</a>	<code>.eval</code>
<code>.var</code> <i>sym<sub>1</sub></i> [ <i>sym<sub>2</sub></i> , ..., <i>sym<sub>n</sub></i> ]	Define local macro symbols	<a href="#">Section 6.3.6</a>	<code>.var</code>

**Table 6-4. Conditional Assembly**

Mnemonic and Syntax	Description	See	
		Macro Use	Directive
<code>.break</code> [ <i>well-defined expression</i> ]	Optional repeatable block assembly	<a href="#">Section 6.5</a>	<code>.break</code>
<code>.endif</code>	End conditional assembly	<a href="#">Section 6.5</a>	<code>.endif</code>
<code>.endloop</code>	End repeatable block assembly	<a href="#">Section 6.5</a>	<code>.endloop</code>
<code>.else</code>	Optional conditional assembly block	<a href="#">Section 6.5</a>	<code>.else</code>
<code>.elseif</code> <i>well-defined expression</i>	Optional conditional assembly block	<a href="#">Section 6.5</a>	<code>.elseif</code>
<code>.if</code> <i>well-defined expression</i>	Begin conditional assembly	<a href="#">Section 6.5</a>	<code>.if</code>
<code>.loop</code> [ <i>well-defined expression</i> ]	Begin repeatable block assembly	<a href="#">Section 6.5</a>	<code>.loop</code>

**Table 6-5. Producing Assembly-Time Messages**

Mnemonic and Syntax	Description	See	
		Macro Use	Directive
<code>.emsg</code>	Send error message to standard output	<a href="#">Section 6.7</a>	<code>.emsg</code>
<code>.mmsg</code>	Send assembly-time message to standard output	<a href="#">Section 6.7</a>	<code>.mmsg</code>
<code>.wmsg</code>	Send warning message to standard output	<a href="#">Section 6.7</a>	<code>.wmsg</code>

**Table 6-6. Formatting the Listing**

Mnemonic and Syntax	Description	See	
		Macro Use	Directive
<code>.fclist</code>	Allow false conditional code block listing (default)	<a href="#">Section 6.8</a>	<code>.fclist</code>
<code>.fcnolist</code>	Suppress false conditional code block listing	<a href="#">Section 6.8</a>	<code>.fcnolist</code>
<code>.mlist</code>	Allow macro listings (default)	<a href="#">Section 6.8</a>	<code>.mlist</code>
<code>.mnolist</code>	Suppress macro listings	<a href="#">Section 6.8</a>	<code>.mnolist</code>
<code>.sslist</code>	Allow expanded substitution symbol listing	<a href="#">Section 6.8</a>	<code>.sslist</code>
<code>.ssnolist</code>	Suppress expanded substitution symbol listing (default)	<a href="#">Section 6.8</a>	<code>.ssnolist</code>

## Archiver Description

---

---

The MSP430 archiver lets you combine several individual files into a single archive file. For example, you can collect several macros into a macro library. The assembler searches the library and uses the members that are called as macros by the source file. You can use the archiver to collect a group of object files into an object library. The linker includes in the library the members that resolve external references during the link. The archiver allows you to modify a library by deleting, replacing, extracting, or adding members.

Topic	Page
7.1 Archiver Overview .....	155
7.2 The Archiver's Role in the Software Development Flow .....	156
7.3 Invoking the Archiver .....	157
7.4 Archiver Examples.....	158
7.5 Library Information Archiver Description.....	160

## 7.1 Archiver Overview

You can build libraries from any type of files. Both the assembler and the linker accept archive libraries as input; the assembler can use libraries that contain individual source files, and the linker can use libraries that contain individual object files.

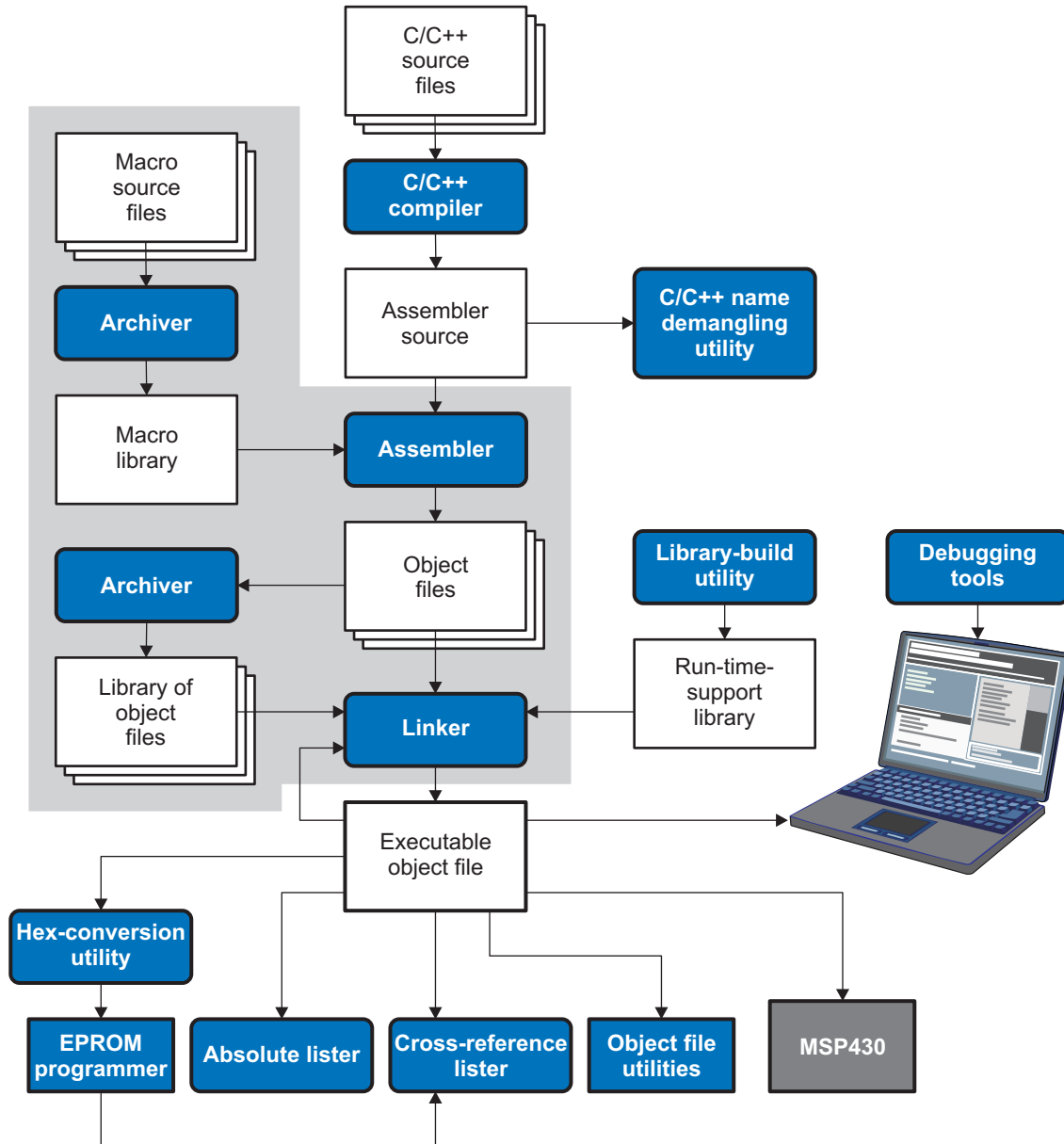
One of the most useful applications of the archiver is building libraries of object modules. For example, you can write several arithmetic routines, assemble them, and use the archiver to collect the object files into a single, logical group. You can then specify the object library as linker input. The linker searches the library and includes members that resolve external references.

You can also use the archiver to build macro libraries. You can create several source files, each of which contains a single macro, and use the archiver to collect these macros into a single, functional group. You can use the `.mlib` directive during assembly to specify that macro library to be searched for the macros that you call. [Chapter 6](#) discusses macros and macro libraries in detail, while this chapter explains how to use the archiver to build libraries.

## 7.2 The Archiver's Role in the Software Development Flow

Figure 7-1 shows the archiver's role in the software development process. The shaded portion highlights the most common archiver development path. Both the assembler and the linker accept libraries as input.

Figure 7-1. The Archiver in the MSP430 Software Development Flow



## 7.3 Invoking the Archiver

To invoke the archiver, enter:

```
ar430[-]command [options] libname [filename1 ... filenamen]
```

<b>ar430</b>	is the command that invokes the archiver.
<b>[-]command</b>	tells the archiver how to manipulate the existing library members and any specified. A command can be preceded by an optional hyphen. You must use one of the following commands when you invoke the archiver, but you can use only one command per invocation. The archiver commands are as follows: <ul style="list-style-type: none"> <li><b>@</b> uses the contents of the specified file instead of command line entries. You can use this command to avoid limitations on command line length imposed by the host operating system. Use a ; at the beginning of a line in the command file to include comments. (See <a href="#">Example 7-1</a> for an example using an archiver command file.)</li> <li><b>a</b> adds the specified files to the library. This command does not replace an existing member that has the same name as an added file; it simply <i>appends</i> new members to the end of the archive.</li> <li><b>d</b> deletes the specified members from the library.</li> <li><b>r</b> replaces the specified members in the library. If you do not specify filenames, the archiver replaces the library members with files of the same name in the current directory. If the specified file is not found in the library, the archiver adds it instead of replacing it.</li> <li><b>t</b> prints a table of contents of the library. If you specify filenames, only those files are listed. If you do not specify any filenames, the archiver lists all the members in the specified library.</li> <li><b>x</b> extracts the specified files. If you do not specify member names, the archiver extracts all library members. When the archiver extracts a member, it simply copies the member into the current directory; it <i>does not</i> remove it from the library.</li> </ul>
<b>options</b>	In addition to one of the <i>commands</i> , you can specify options. To use options, combine them with a command; for example, to use the a command and the s option, enter -as or as. The hyphen is optional for archiver options only. These are the archiver options: <ul style="list-style-type: none"> <li><b>-h</b> provide command-line help</li> <li><b>-q</b> (quiet) suppresses the banner and status messages.</li> <li><b>-s</b> prints a list of the global symbols that are defined in the library. (This option is valid only with the a, r, and d commands.)</li> <li><b>-u</b> replaces library members only if the replacement has a more recent modification date. You must use the r command with the -u option to specify which members to replace.</li> <li><b>-v</b> (verbose) provides a file-by-file description of the creation of a new library from an old library and its members.</li> </ul>
<b>libname</b>	names the archive library to be built or modified. If you do not specify an extension for <i>libname</i> , the archiver uses the default extension <i>.lib</i> .
<b>filenames</b>	names individual files to be manipulated. These files can be existing library members or new files to be added to the library. When you enter a filename, you must enter a complete filename including extension, if applicable.

---

### Naming Library Members

**NOTE:** It is possible (but not desirable) for a library to contain several members with the same name. If you attempt to delete, replace, or extract a member whose name is the same as another library member, the archiver deletes, replaces, or extracts the first library member with that name.

---

## 7.4 Archiver Examples

The following are examples of typical archiver operations:

- If you want to create a library called `function.lib` that contains the files `sine.obj`, `cos.obj`, and `flt.obj`, enter:

```
ar430 -a function sine.obj cos.obj flt.obj
```

The archiver responds as follows:

```
==> new archive 'function.lib'
==> building new archive 'function.lib'
```

- You can print a table of contents of `function.lib` with the `-t` command, enter:

```
ar430 -t function
```

The archiver responds as follows:

SIZE	DATE	FILE NAME
4260	Thu Mar 28 15:38:18 2019	sine.obj
4260	Thu Mar 28 15:38:18 2019	cos.obj
4260	Thu Mar 28 15:38:18 2019	flt.obj

- If you want to add new members to the library, enter:

```
ar430 -as function atan.obj
```

The archiver responds as follows:

```
==> symbol defined: '_sin'
==> symbol defined: '_cos'
==> symbol defined: '_tan'
==> symbol defined: '_atan'
==> building archive 'function.lib'
```

Because this example does not specify an extension for the libname, the archiver adds the files to the library called `function.lib`. If `function.lib` does not exist, the archiver creates it. (The `-s` option tells the archiver to list the global symbols that are defined in the library.)

- If you want to modify a library member, you can extract it, edit it, and replace it. In this example, assume there is a library named `macros.lib` that contains the members `push.asm`, `pop.asm`, and `swap.asm`.

```
ar430 -x macros push.asm
```

The archiver makes a copy of `push.asm` and places it in the current directory; it does not remove `push.asm` from the library. Now you can edit the extracted file. To replace the copy of `push.asm` in the library with the edited copy, enter:

```
ar430 -r macros push.asm
```

- If you want to use a command file, specify the command filename after the `-@` command. For example:

```
ar430 -@modules.cmd
```

The archiver responds as follows:

```
==> building archive 'modules.lib'
```

**Example 7-1** is the modules.cmd command file. The r command specifies that the filenames given in the command file replace files of the same name in the modules.lib library. The -u option specifies that these files are replaced only when the current file has a more recent revision date than the file that is in the library.

### **Example 7-1. Archiver Command File**

```
; Command file to replace members of the
;   modules library with updated files
; Use r command and u option:
ru
; Specify library name:
modules.lib
; List filenames to be replaced if updated:
align.asm
bss.asm
data.asm
text.asm
sect.asm
clink.asm
copy.asm
double.asm
drnolist.asm
emsg.asm
end.asm
```

## 7.5 Library Information Archiver Description

Section 7.1 through Section 7.4 explain how to use the archiver to create libraries of object files for use in the linker of one or more applications. You can have multiple versions of the same object file libraries, each built with different sets of build options. For example, you might have different versions of your object file library for big and little endian, for different architecture revisions, or for different ABIs depending on the typical build environments of client applications. However, if you have several versions of a library, it can be cumbersome to keep track of which version of the library needs to be linked in for a particular application.

When several versions of a single library are available, the library information archiver can be used to create an index library of all of the object file library versions. This index library is used in the linker in place of a particular version of your object file library. The linker looks at the build options of the application being linked, and uses the specified index library to determine which version of your object file library to include in the linker. If one or more compatible libraries were found in the index library, the most suitable compatible library is linked in for your application.

### 7.5.1 Invoking the Library Information Archiver

To invoke the library information archiver, enter:

```
libinfo430 [options] --output=libname libname1 [libname2 ... libnamen]
```

**libinfo430** is the command that invokes the library information archiver.

**options** changes the default behavior of the library information archiver. These options are:

- output libname** specifies the name of the index library to create or update. This option is required.
- update** updates any existing information in the index library specified with the --output option instead of creating a new index.

**libnames** names individual object file libraries to be manipulated. When you enter a libname, you must enter a complete filename including extension, if applicable.

### 7.5.2 Library Information Archiver Example

Consider these object file libraries that all have the same members, but are built with different build options:

Object File Library Name	Build Options
mylib_msp_small.lib	--silicon_version=msp
mylib_msp_x_small.lib	--silicon_version=mspx --data_model=small
mylib_msp_x_restricted.lib	--silicon_version=mspx --data_model=restricted
mylib_msp_x_large_ah.lib	--silicon_version=mspx --data_model=large --exceptions

Using the library information archiver, you can create an index library called mylib.lib from the above libraries:

```
libinfo430 --output mylib.lib mylib_msp_small.lib mylib_msp_x_small.lib
mylib_msp_x_restricted.lib mylib_msp_x_large.lib
```

You can now specify mylib.lib as a library for the linker of an application. The linker uses the index library to choose the appropriate version of the library to use. If the --issue\_remarks option is specified before the --run\_linker option, the linker reports which library was chosen.

- **Example 1 (MSP430X, Restricted data model):**

```
cl430 -silicon_version=mspx -data_model=restricted --issue_remarks main.c -z -l lnk.cmd
./mylib.lib
<Linking>
remark: linking in "mylib_msp_x_restricted.lib" in place of "mylib.lib"
```



- **Example 2 (MSP430X, Large data model):**

```
cl430 -silicon_version=msp430 -data_model=large --issue_remarks main.c -z -l lnk.cmd ./mylib.lib
Linking>
remark: linking in "mylib_msp430_large_eh.lib" in place of "mylib.lib"
```

In Example 2, a library with exception handling is linked in, since there is no large data model library without exception handling.

### 7.5.3 Listing the Contents of an Index Library

The archiver's `-t` option can be used on an index library to list the archives indexed by an index library:

```
ar430 t mylib.lib
      SIZE  DATE                FILE NAME
-----
      133  Fri Jul  9 00:38:52 2010  mylib_msp_small.lib.libinfo
      133  Fri Jul  9 00:38:53 2010  mylib_msp430_small.lib.libinfo
      133  Fri Jul  9 00:38:53 2010  mylib_msp430_restricted.lib.libinfo
      135  Fri Jul  9 00:38:54 2010  mylib_msp430_large_eh.lib.libinfo
       0   Fri Jul  9 00:38:55 2010  __TI__$LIBINFO
```

The indexed object file libraries have an additional `.libinfo` extension in the archiver listing. The `__TI__$LIBINFO` member is a special member that designates *mylib.lib* as an index library, rather than a regular library.

If the archiver's `-d` command is used on an index library to delete a `.libinfo` member, the linker will no longer choose the corresponding library when the index library is specified.

Using any other archiver option with an index library, or using `-d` to remove the `__TI__$LIBINFO` member, results in undefined behavior, and is not supported.

### 7.5.4 Requirements

You must follow these requirements to use library index files:

- At least one application object file must appear on the linker command line before the index library.
- Each object file library specified as input to the library information archiver must only contain object file members that are built with the same build options.
- The linker expects the index library and all of the libraries it indexes to be in a single directory.

## Linker Description

---

---

The MSP430 linker creates executable object files by combining object modules. This chapter describes the linker options, directives, and statements used to create executable object files. Object libraries, command files, and other key concepts are discussed as well.

The concept of sections is basic to linker operation; [Chapter 2](#) includes a detailed discussion of sections.

Topic	Page
<b>8.1 Linker Overview .....</b>	<b>163</b>
<b>8.2 The Linker's Role in the Software Development Flow.....</b>	<b>164</b>
<b>8.3 Invoking the Linker .....</b>	<b>165</b>
<b>8.4 Linker Options .....</b>	<b>166</b>
<b>8.5 Linker Command Files .....</b>	<b>186</b>
<b>8.6 Linker Symbols .....</b>	<b>224</b>
<b>8.7 Default Placement Algorithm .....</b>	<b>226</b>
<b>8.8 Using Linker-Generated Copy Tables.....</b>	<b>228</b>
<b>8.9 Linker-Generated CRC Tables .....</b>	<b>242</b>
<b>8.10 Partial (Incremental) Linking .....</b>	<b>247</b>
<b>8.11 Linking C/C++ Code .....</b>	<b>249</b>
<b>8.12 Linker Example .....</b>	<b>250</b>

## 8.1 Linker Overview

The MSP430 linker allows you to allocate output sections efficiently in the memory map. As the linker combines object files, it performs the following tasks:

- Allocates sections into the target system's configured memory
- Relocates symbols and sections to assign them to final addresses
- Resolves undefined external references between input files

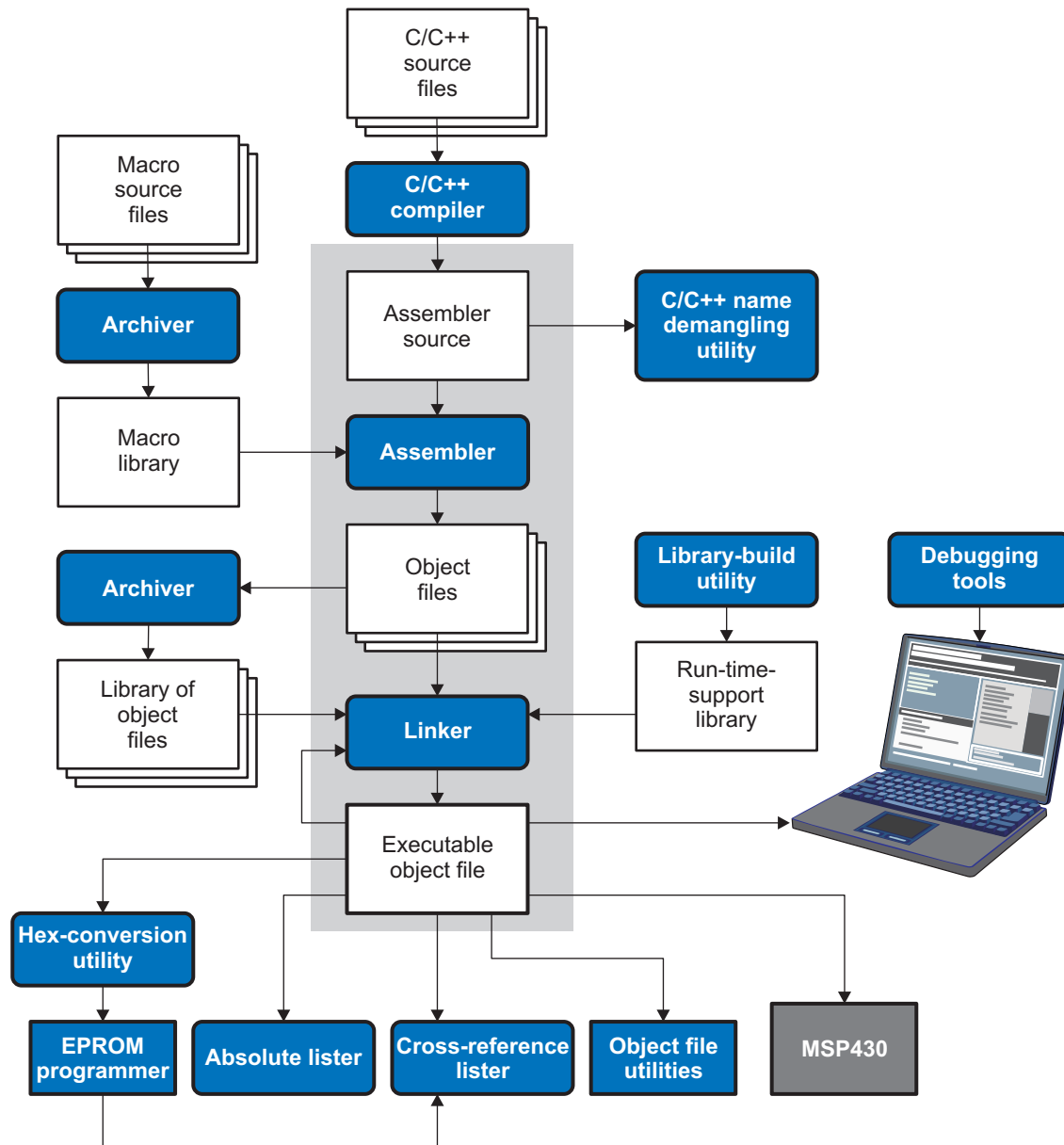
The linker command language controls memory configuration, output section definition, and address binding. The language supports expression assignment and evaluation. You configure system memory by defining and creating a memory model that you design. Two powerful directives, MEMORY and SECTIONS, allow you to:

- Allocate sections into specific areas of memory
- Combine object file sections
- Define or redefine global symbols at link time

## 8.2 The Linker's Role in the Software Development Flow

Figure 8-1 illustrates the linker's role in the software development process. The linker accepts several types of files as input, including object files, command files, libraries, and partially linked files. The linker creates an executable object module that can be downloaded to one of several development tools or executed by a MSP430 device.

Figure 8-1. The Linker in the MSP430 Software Development Flow



### 8.3 Invoking the Linker

The general syntax for invoking the linker is:

```
cl430 --run_linker [options] filename1 .... filenamen
```

<b>cl430 --run_linker</b>	is the command that invokes the linker. The <code>--run_linker</code> option's short form is <code>-Z</code> .
<i>options</i>	can appear anywhere on the command line or in a linker command file. (Options are discussed in <a href="#">Section 8.4</a> .)
<i>filename</i> <sub>1</sub> , <i>filename</i> <sub>n</sub>	can be object files, linker command files, or archive libraries. The default extensions for input files are <code>.c.obj</code> (for C source files) and <code>.cpp.obj</code> (for C++ source files). Any other extension must be explicitly specified. The linker can determine whether the input file is an object or ASCII file that contains linker commands. The default output filename is <i>a.out</i> , unless you use the <code>--output_file</code> option to name the output file.

---

**NOTE:** The default file extensions for object files created by the compiler have been changed. Object files generated from C source files have the `.c.obj` extension. Object files generated from C++ source files have the `.cpp.obj` extension. Object files generated from assembly source files still have the `.obj` extension.

---

There are two methods for invoking the linker:

- Specify options and filenames on the command line. This example links two files, `file1.c.obj` and `file2.c.obj`, and creates an output module named `link.out`.
- Put filenames and options in a linker command file. Filenames that are specified inside a linker command file must begin with a letter. For example, assume the file `linker.cmd` contains the following lines:

```
cl430 --run_linker file1.c.obj file2.c.obj --output_file=link.out
```

```
--output_file=link.out file1.c.obj file2.c.obj
```

Now you can invoke the linker from the command line; specify the command filename as an input file:

```
cl430 --run_linker linker.cmd
```

When you use a command file, you can also specify other options and files on the command line. For example, you could enter:

```
cl430 --run_linker --map_file=link.map linker.cmd file3.c.obj
```

The linker reads and processes a command file as soon as it encounters the filename on the command line, so it links the files in this order: `file1.c.obj`, `file2.c.obj`, and `file3.c.obj`. This example creates an output file called `link.out` and a map file called `link.map`.

For information on invoking the linker for C/C++ files, see [Section 8.11](#).

## 8.4 Linker Options

Linker options control linking operations. They can be placed on the command line or in a command file. Linker options must be preceded by a hyphen (-). Options can be separated from arguments (if they have them) by an optional space.

**Table 8-1. Basic Options Summary**

Option	Alias	Description	Section
--run_linker	-z	Enables linking	<a href="#">Section 8.3</a>
--output_file	-o	Names the executable output module. The default filename is a.out.	<a href="#">Section 8.4.22</a>
--map_file	-m	Produces a map or listing of the input and output sections, including holes, and places the listing in <i>filename</i>	<a href="#">Section 8.4.17</a>
--stack_size	-stack	Sets C system stack size to <i>size</i> bytes and defines a global symbol that specifies the stack size. Default = 128 bytes	<a href="#">Section 8.4.28</a>
--heap_size	-heap	Sets heap size (for the dynamic memory allocation in C) to <i>size</i> bytes and defines a global symbol that specifies the heap size. Default = 128 bytes	<a href="#">Section 8.4.13</a>

**Table 8-2. File Search Path Options Summary**

Option	Alias	Description	Section
--library	-l	Names an archive library or link command <i>filename</i> as linker input	<a href="#">Section 8.4.15</a>
--disable_auto_rts		Disables the automatic selection of a run-time-support library	<a href="#">Section 8.4.7</a>
--priority	-priority	Satisfies unresolved references by the first library that contains a definition for that symbol	<a href="#">Section 8.4.15.3</a>
--reread_libs	-x	Forces rereading of libraries, which resolves back references	<a href="#">Section 8.4.15.3</a>
--search_path	-i	Alters library-search algorithms to look in a directory named with <i>pathname</i> before looking in the default location. This option must appear before the --library option.	<a href="#">Section 8.4.15.1</a>

**Table 8-3. Command File Preprocessing Options Summary**

Option	Alias	Description	Section
--define		Predefines <i>name</i> as a preprocessor macro.	<a href="#">Section 8.4.9</a>
--undefine		Removes the preprocessor macro <i>name</i> .	<a href="#">Section 8.4.9</a>
--disable_pp		Disables preprocessing for command files	<a href="#">Section 8.4.9</a>

**Table 8-4. Diagnostic Options Summary**

Option	Alias	Description	Section
--diag_error		Categorizes the diagnostic identified by <i>num</i> as an error	<a href="#">Section 8.4.6</a>
--diag_remark		Categorizes the diagnostic identified by <i>num</i> as a remark	<a href="#">Section 8.4.6</a>
--diag_suppress		Suppresses the diagnostic identified by <i>num</i>	<a href="#">Section 8.4.6</a>
--diag_warning		Categorizes the diagnostic identified by <i>num</i> as a warning	<a href="#">Section 8.4.6</a>
--display_error_number		Displays a diagnostic's identifiers along with its text	<a href="#">Section 8.4.6</a>
--emit_references:file[= <i>file</i> ]		Emits a file containing section information. The information includes section size, symbols defined, and references to symbols.	<a href="#">Section 8.4.6</a>
--emit_warnings_as_errors	-pdew	Treats warnings as errors	<a href="#">Section 8.4.6</a>
--issue_remarks		Issues remarks (nonserious warnings)	<a href="#">Section 8.4.6</a>
--no_demangle		Disables demangling of symbol names in diagnostics	<a href="#">Section 8.4.19</a>
--no_warnings		Suppresses warning diagnostics (errors are still issued)	<a href="#">Section 8.4.6</a>
--set_error_limit		Sets the error limit to <i>num</i> . The linker abandons linking after this number of errors. (The default is 100.)	<a href="#">Section 8.4.6</a>
--verbose_diagnostics		Provides verbose diagnostics that display the original source with line-wrap	<a href="#">Section 8.4.6</a>
--warn_sections	-w	Displays a message when an undefined output section is created	<a href="#">Section 8.4.33</a>

**Table 8-5. Linker Output Options Summary**

Option	Alias	Description	Section
--absolute_exe	-a	Produces an absolute, executable module. This is the default; if neither --absolute_exe nor --relocatable is specified, the linker acts as if --absolute_exe were specified.	<a href="#">Section 8.4.3.1</a>
--ecc={ on   off }		Enable linker-generated Error Correcting Codes (ECC). The default is off.	<a href="#">Section 8.4.10</a> <a href="#">Section 8.5.9</a>
--ecc:data_error		Inject the specified errors into the output file for testing	<a href="#">Section 8.4.10</a> <a href="#">Section 8.5.9</a>
--ecc:ecc_error		Inject the specified errors into the Error Correcting Code (ECC) for testing	<a href="#">Section 8.4.10</a> <a href="#">Section 8.5.9</a>
--mapfile_contents		Controls the information that appears in the map file.	<a href="#">Section 8.4.18</a>
--relocatable	-r	Produces a nonexecutable, relocatable output module	<a href="#">Section 8.4.3.2</a>
--rom	-r	Create a ROM object	
--run_abs	-abs	Produces an absolute listing file	<a href="#">Section 8.4.26</a>
--xml_link_info		Generates a well-formed XML <i>file</i> containing detailed information about the result of a link	<a href="#">Section 8.4.34</a>

**Table 8-6. Symbol Management Options Summary**

Option	Alias	Description	Section
--entry_point	-e	Defines a global symbol that specifies the primary entry point for the output module	<a href="#">Section 8.4.11</a>
--globalize		Changes the symbol linkage to global for symbols that match <i>pattern</i>	<a href="#">Section 8.4.16</a>
--hide		Hides global symbols that match <i>pattern</i>	<a href="#">Section 8.4.14</a>
--localize		Changes the symbol linkage to local for symbols that match <i>pattern</i>	<a href="#">Section 8.4.16</a>
--make_global	-g	Makes <i>symbol</i> global (overrides -h)	<a href="#">Section 8.4.16.1</a>
--make_static	-h	Makes all global symbols static	<a href="#">Section 8.4.16.1</a>
--no_symtable	-s	Strips symbol table information and line number entries from the output module	<a href="#">Section 8.4.21</a>
--retain		Retains a list of sections that otherwise would be discarded	<a href="#">Section 8.4.25</a>
--scan_libraries	-scanlibs	Scans all libraries for duplicate symbol definitions	<a href="#">Section 8.4.27</a>
--symbol_map		Maps symbol references to a symbol definition of a different name	<a href="#">Section 8.4.30</a>
--undef_sym	-u	Places an unresolved external <i>symbol</i> into the output module's symbol table	<a href="#">Section 8.4.31</a>
--unhide		Reveals (un-hides) global symbols that match <i>pattern</i>	<a href="#">Section 8.4.14</a>

**Table 8-7. Run-Time Environment Options Summary**

Option	Alias	Description	Section
--arg_size	--args	Allocates memory to be used by the loader to pass arguments	<a href="#">Section 8.4.4</a>
--cinit_hold_wdt={on off}		Hold (on) or do not hold (off) watchdog timer during cinit auto-initialization.	<a href="#">Section 8.11.5</a>
--fill_value	-f	Sets default fill values for holes within output sections; <i>fill_value</i> is a 32-bit constant	<a href="#">Section 8.4.12</a>
--ram_model	-cr	Initializes variables at load time	<a href="#">Section 8.4.24</a>
--rom_model	-c	Autoinitializes variables at run time	<a href="#">Section 8.4.24</a>
--use_hw_mpy[={16 32 F5 none}]		This option is now a compiler option. It should be placed on the command line before the --run_linker or -z option. See the <i>MSP430 Optimizing C/C++ Compiler User's Guide</i> for details.	--

**Table 8-8. Link-Time Optimization Options Summary**

Option	Alias	Description	Section
--cinit_compression [=compression_kind]		Specifies the type of compression to apply to the C auto initialization data. The default if this option is used with no kind specified is lzss for Lempel-Ziv-Storer-Szymanski compression. Alternately, specify --cinit_compression=rle to use Run Length Encoded compression, which generally provides less efficient compression.	<a href="#">Section 8.4.5</a>
--copy_compression [=compression_kind]		Compresses data copied by linker copy tables	<a href="#">Section 8.4.5</a>
--unused_section_elimination		Eliminates sections that are not needed in the executable module; on by default	<a href="#">Section 8.4.8</a>

**Table 8-9. Miscellaneous Options Summary**

Option	Alias	Description	Section
--linker_help	-help	Displays information about syntax and available options	–
--preferred_order		Prioritizes placement of functions	<a href="#">Section 8.4.23</a>
--strict_compatibility		Performs more conservative and rigorous compatibility checking of input object files	<a href="#">Section 8.4.29</a>

### 8.4.1 Wildcards in File, Section, and Symbol Patterns

The linker allows file, section, and symbol names to be specified using the asterisk (\*) and question mark (?) wildcards. Using \* matches any number of characters and using ? matches a single character. Using wildcards can make it easier to handle related objects, provided they follow a suitable naming convention.

For example:

```
mp3*.obj /* matches anything .obj that begins with mp3 */
task?.o* /* matches task1.obj, task2.c.obj, taskX.o55, etc. */
```

```
SECTIONS
{
    .fast_code: { *.obj(*fast*) } > FAST_MEM
    .vectors : { vectors.c.obj(.vector:part1:*) > 0xFFFFFFFF00
    .str_code : { rts*.lib<str*.c.obj>(.text) } > S1ROM
}
```

### 8.4.2 Specifying C/C++ Symbols with Linker Options

The link-time symbol is the same as the C/C++ identifier name.

For more information on referencing symbol names, see the "Object File Symbol Naming Conventions (Linknames)" section in the *MSP430 Optimizing C/C++ Compiler User's Guide*.

For information specifically about C++ symbol naming, see [Section 13.3.1](#) in this document and the "C++ Name Demangler" chapter in the *MSP430 Optimizing C/C++ Compiler User's Guide*.

See [Section 8.6.1](#) for information about referring to linker symbols in C/C++ code.

### 8.4.3 Relocation Capabilities (--absolute\_exe and --relocatable Options)

The linker performs relocation, which is the process of adjusting all references to a symbol when the symbol's address changes ([Section 2.7](#)).

The linker supports two options (--absolute\_exe and --relocatable) that allow you to produce an absolute or a relocatable output module. The linker also supports a third option (-ar) that allows you to produce an executable, relocatable output module.

When the linker encounters a file that contains no relocation or symbol table information, it issues a warning message (but continues executing). Relinking an absolute file can be successful only if each input file contains no information that needs to be relocated (that is, each file has no unresolved references and is bound to the same virtual address that it was bound to when the linker created it).



### 8.4.3.1 Producing an Absolute Output Module (--absolute\_exe option)

When you use the `--absolute_exe` option without the `--relocatable` option, the linker produces an *absolute, executable output module*. Absolute files contain *no* relocation information. Executable files contain the following:

- Special symbols defined by the linker (see [Section 8.5.10.4](#))
- An header that describes information such as the program entry point
- No unresolved references

The following example links `file1.c.obj` and `file2.c.obj` and creates an absolute output module called `a.out`:

```
cl430 --run_linker --absolute_exe file1.c.obj file2.c.obj
```

---

#### The --absolute\_exe and --relocatable Options

**NOTE:** If you do not use the `--absolute_exe` or the `--relocatable` option, the linker acts as if you specified `--absolute_exe`.

---

### 8.4.3.2 Producing a Relocatable Output Module (--relocatable option)

When you use the `--relocatable` option, the linker retains relocation entries in the output module. If the output module is relocated (at load time) or relinked (by another linker execution), use `--relocatable` to retain the relocation entries.

The linker produces a file that is not executable when you use the `--relocatable` option without the `--absolute_exe` option. A file that is not executable does not contain special linker symbols or an optional header. The file can contain unresolved references, but these references do not prevent creation of an output module.

This example links `file1.c.obj` and `file2.c.obj` and creates a relocatable output module called `a.out`:

```
cl430 --run_linker --relocatable file1.c.obj file2.c.obj
```

The output file `a.out` can be relinked with other object files or relocated at load time. (Linking a file that will be relinked with other files is called partial linking. For more information, see [Section 8.10](#).)

### 8.4.3.3 Producing an Executable, Relocatable Output Module (-ar Option)

If you invoke the linker with both the `--absolute_exe` and `--relocatable` options, the linker produces an *executable, relocatable* object module. The output file contains the special linker symbols, an optional header, and all resolved symbol references; however, the relocation information is retained.

This example links `file1.c.obj` and `file2.c.obj` to create an executable, relocatable output module called `xr.out`:

```
cl430 --run_linker -ar file1.c.obj file2.c.obj --output_file=xr.out
```

#### 8.4.4 Allocate Memory for Use by the Loader to Pass Arguments (`--arg_size` Option)

The `--arg_size` option instructs the linker to allocate memory to be used by the loader to pass arguments from the command line of the loader to the program. The syntax of the `--arg_size` option is:

**`--arg_size= size`**

The *size* is the number of bytes to be allocated in target memory for command-line arguments.

By default, the linker creates the `__c_args__` symbol and sets it to -1. When you specify `--arg_size=size`, the following occur:

- The linker creates an uninitialized section named `.args` of *size* bytes.
- The `__c_args__` symbol contains the address of the `.args` section.

The loader and the target boot code use the `.args` section and the `__c_args__` symbol to determine whether and how to pass arguments from the host to the target program. See the *MSP430 Optimizing C/C++ Compiler User's Guide* for information about the loader.

#### 8.4.5 Compression (`--cinit_compression` and `--copy_compression` Option)

By default, the linker does not compress copy table (Section 3.3.3 and Section 8.8) source data sections. The `--cinit_compression` and `--copy_compression` options specify compression through the linker.

The `--cinit_compression` option specifies the compression type the linker applies to the C autoinitialization copy table source data sections. The default is `lzss`.

Overlays can be managed by using linker-generated copy tables. To save ROM space the linker can compress the data copied by the copy tables. The compressed data is decompressed during copy. The `--copy_compression` option controls the compression of the copy data tables.

The syntax for the options are:

**`--cinit_compression[=compression_kind]`**

**`--copy_compression[=compression_kind]`**

The *compression\_kind* can be one of the following types:

- **off.** Don't compress the data.
- **rle.** Compress data using Run Length Encoding.
- **lzss.** Compress data using Lempel-Ziv-Storer-Szymanski compression (the default if no *compression\_kind* is specified).

Compressed sections within initialization tables are byte aligned in order to reduce the occurrence of holes in the `.cinit` table.

See Section 8.8.5 for more information about compression.

### 8.4.6 Control Linker Diagnostics

The linker honors certain C/C++ compiler options to control linker-generated diagnostics. The diagnostic options must be specified before the `--run_linker` option.

<code>--diag_error=num</code>	Categorize the diagnostic identified by <i>num</i> as an error. To find the numeric identifier of a diagnostic message, use the <code>--display_error_number</code> option first in a separate link. Then use <code>--diag_error=num</code> to recategorize the diagnostic as an error. You can only alter the severity of discretionary diagnostics.
<code>--diag_remark=num</code>	Categorize the diagnostic identified by <i>num</i> as a remark. To find the numeric identifier of a diagnostic message, use the <code>--display_error_number</code> option first in a separate link. Then use <code>--diag_remark=num</code> to recategorize the diagnostic as a remark. You can only alter the severity of discretionary diagnostics.
<code>--diag_suppress=num</code>	Suppress the diagnostic identified by <i>num</i> . To find the numeric identifier of a diagnostic message, use the <code>--display_error_number</code> option first in a separate link. Then use <code>--diag_suppress=num</code> to suppress the diagnostic. You can only suppress discretionary diagnostics.
<code>--diag_warning=num</code>	Categorize the diagnostic identified by <i>num</i> as a warning. To find the numeric identifier of a diagnostic message, use the <code>--display_error_number</code> option first in a separate link. Then use <code>--diag_warning=num</code> to recategorize the diagnostic as a warning. You can only alter the severity of discretionary diagnostics.
<code>--display_error_number</code>	Display a diagnostic's numeric identifier along with its text. Use this option in determining which arguments you need to supply to the diagnostic suppression options ( <code>--diag_suppress</code> , <code>--diag_error</code> , <code>--diag_remark</code> , and <code>--diag_warning</code> ). This option also indicates whether a diagnostic is discretionary. A discretionary diagnostic is one whose severity can be overridden. A discretionary diagnostic includes the suffix <code>-D</code> ; otherwise, no suffix is present. See the <i>MSP430 Optimizing C/C++ Compiler User's Guide</i> for more information on understanding diagnostic messages.
<code>--emit_references:file</code> [= <i>filename</i> ]	Emits a file containing section information. The information includes section size, symbols defined, and references to symbols. This information allows you to determine why each section is included in the linked application. The output file is a simple ASCII text file. The <i>filename</i> is used as the base name of a file created. For example, <code>--emit_references:file=myfile</code> generates a file named <code>myfile.txt</code> in the current directory.
<code>--emit_warnings_as_errors</code>	Treat all warnings as errors. This option cannot be used with the <code>--no_warnings</code> option. The <code>--diag_remark</code> option takes precedence over this option. This option takes precedence over the <code>--diag_warning</code> option.
<code>--issue_remarks</code>	Issue remarks (nonserious warnings), which are suppressed by default.
<code>--no_warnings</code>	Suppress warning diagnostics (errors are still issued).
<code>--set_error_limit=num</code>	Set the error limit to <i>num</i> , which can be any decimal value. The linker abandons linking after this number of errors. (The default is 100.)
<code>--verbose_diagnostics</code>	Provide verbose diagnostics that display the original source with line-wrap and indicate the position of the error in the source line

### 8.4.7 Automatic Library Selection (`--disable_auto_rts` Option)

The `--disable_auto_rts` option disables the automatic selection of a run-time-support (RTS) library. See the *MSP430 Optimizing C/C++ Compiler User's Guide* for details on the automatic selection process.

### 8.4.8 Do Not Remove Unused Sections (`--unused_section_elimination` Option)

To minimize the footprint, the ELF linker does not include sections that are not needed to resolve any references in the final executable. Use `--unused_section_elimination=off` to disable this optimization. The linker default behavior is equivalent to `--unused_section_elimination=on`.

### 8.4.9 Linker Command File Preprocessing (`--disable_pp`, `--define` and `--undefine` Options)

The linker preprocesses linker command files using a standard C preprocessor. Therefore, the command files can contain well-known preprocessing directives such as `#define`, `#include`, and `#if / #endif`.

Three linker options control the preprocessor:

<code>--disable_pp</code>	Disables preprocessing for command files
<code>--define=name[=val]</code>	Predefines <i>name</i> as a preprocessor macro
<code>--undefine=name</code>	Removes the macro <i>name</i>

The compiler has `--define` and `--undefine` options with the same meanings. However, the linker options are distinct; only `--define` and `--undefine` options specified after `--run_linker` are passed to the linker. For example:

```
c1430 --define=FOO=1 main.c --run_linker --define=BAR=2 lnk.cmd
```

The linker sees only the `--define` for `BAR`; the compiler only sees the `--define` for `FOO`.

When one command file `#includes` another, preprocessing context is carried from parent to child in the usual way (that is, macros defined in the parent are visible in the child). However, when a command file is invoked other than through `#include`, either on the command line or by the typical way of being named in another command file, preprocessing context is **not** carried into the nested file. The exception to this is `--define` and `--undefine` options, which apply globally from the point they are encountered. For example:

```
--define GLOBAL
#define LOCAL

#include "incfile.cmd" /* sees GLOBAL and LOCAL */
nestfile.cmd         /* only sees GLOBAL      */
```

Two cautions apply to the use of `--define` and `--undefine` in command files. First, they have global effect as mentioned above. Second, since they are not actually preprocessing directives themselves, they are subject to macro substitution, probably with unintended consequences. This effect can be defeated by quoting the symbol name. For example:

```
--define MYSYM=123
--undefine MYSYM /* expands to --undefine 123 (!) */
--undefine "MYSYM" /* ahh, that's better          */
```

The linker uses the same search paths to find `#include` files as it does to find libraries. That is, `#include` files are searched in the following places:

1. If the `#include` file name is in quotes (rather than `<brackets>`), in the directory of the current file
2. In the list of directories specified with `--library` options or environment variables (see [Section 8.4.15](#))

There are two exceptions: relative pathnames (such as `../name`) always search the current directory; and absolute pathnames (such as `/usr/tools/name`) bypass search paths entirely.

The linker provides the built-in macro definitions listed in [Table 8-10](#). The availability of these macros within the linker is determined by the command-line options used, not the build attributes of the files being linked. If these macros are not set as expected, confirm that your project's command line uses the correct compiler option settings.

**Table 8-10. Predefined MSP430 Macro Names**

Macro Name	Description
<code>__DATE__</code>	Expands to the compilation date in the form <i>mmm dd yyyy</i>
<code>__FILE__</code>	Expands to the current source filename
<code>__LARGE_CODE_MODEL__</code>	Defined if <code>--code_model=large</code> is specified
<code>__LARGE_DATA_MODEL__</code>	Defined if <code>--data_model=large</code> or <code>--data_model=restricted</code> is specified
<code>__MSP430__</code>	Always defined
<code>__MSP430X__</code>	Defined if <code>--silicon_version=msp430x</code> is specified

**Table 8-10. Predefined MSP430 Macro Names (continued)**

Macro Name	Description
<code>__TI_COMPILER_VERSION__</code>	Defined to a 7-9 digit integer, depending on if X has 1, 2, or 3 digits. The number does not contain a decimal. For example, version 3.2.1 is represented as 3002001. The leading zeros are dropped to prevent the number being interpreted as an octal.
<code>__TI_EABI__</code>	Defined to 1 if EABI is enabled; otherwise, it is undefined.
<code>__TIME__</code>	Expands to the compilation time in the form " <i>hh:mm:ss</i> "

### 8.4.10 Error Correcting Code Testing (--ecc Options)

Error Correcting Codes (ECC) can be generated and placed in separate sections through the linker command file.

To enable ECC support, include `--ecc=on` as a linker option on the command line. By default ECC generation is off, even if the ECC directive and ECC specifiers are used in the linker command file. This allows you to fully configure ECC in the linker command file while still being able to quickly turn the code generation on and off via the command line. See [Section 8.5.9](#) for details on linker command file syntax to configure ECC support.

ECC uses extra bits to allow errors to be detected and/or corrected by a device. The ECC support provided by the linker is compatible with the ECC support in TI Flash memory on various TI devices. TI Flash memory uses a modified Hamming(72,64) code, which uses 8 parity bits for every 64 bits. Check the documentation for your Flash memory to see if ECC is supported. (ECC for read-write memory is handled completely in hardware at run time.)

After enabling ECC with the `--ecc=on` option, you can use the following command-line options to test ECC by injecting bit errors into the linked executable. These options let you specify an address where an error should appear and a bitmask of bits in the code/data at that address to flip. You can specify the address of the error absolutely or as an offset from a symbol. When a data error is injected, the ECC parity bits for the data are calculated as if the error were not present. This simulates bit errors that might actually occur and tests ECC's ability to correct different levels of errors.

The `--ecc:data_error` option injects errors into the load image at the specified location. The syntax is:

```
--ecc:data_error=(symbol+offset|address)[,page],bitmask
```

The *address* is the location of the minimum addressable unit where the error is to be injected. A *symbol+offset* can be used to specify the location of the error to be injected with a signed offset from that symbol. The *page* number is needed to make the location non-ambiguous if the address occurs on multiple memory pages. The *bitmask* is a mask of the bits to flip; its width should be the width of an addressable unit.

For example, the following command line flips the least-significant bit in the byte at the address 0x100, making it inconsistent with the ECC parity bits for that byte:

```
c1430 test.c --ecc:data_error=0x100,0x01 -z -o test.out
```

The following command flips two bits in the third byte of the code for main():

```
c1430 test.c --ecc:data_error=main+2,0x42 -z -o test.out
```

The `--ecc:ecc_error` option injects errors into the ECC parity bits that correspond to the specified location. Note that the `ecc_error` option can therefore only specify locations inside ECC input ranges, whereas the `data_error` option can also specify errors in the ECC output memory ranges. The syntax is:

```
--ecc:ecc_error=(symbol+offset|address)[,page],bitmask
```

The parameters for this option are the same as for `--ecc:data_error`, except that the *bitmask* must be exactly 8 bits. Mirrored copies of the affected ECC byte will also contain the same injected error.

An error injected into an ECC byte with `--ecc:ecc_error` may cause errors to be detected at run time in any of the 8 data bytes covered by that ECC byte.

For example, the following command flips every bit in the ECC byte that contains the parity information for the byte at 0x200:

```
c1430 test.c --ecc:ecc_error=0x200,0xff -z -o test.out
```

The linker disallows injecting errors into memory ranges that are neither an ECC range nor the input range for an ECC range. The compiler can only inject errors into initialized sections.

#### 8.4.11 Define an Entry Point (`--entry_point` Option)

The memory address at which a program begins executing is called the *entry point*. When a loader loads a program into target memory, the program counter (PC) must be initialized to the entry point; the PC then points to the beginning of the program.

The linker can assign one of four values to the entry point. These values are listed below in the order in which the linker tries to use them. If you use one of the first three values, it must be an external symbol in the symbol table.

- The value specified by the `--entry_point` option. The syntax is:

**`--entry_point=`** *global\_symbol*

where *global\_symbol* defines the entry point and must be defined as an external symbol of the input files. The external symbol name of C or C++ objects may be different than the name as declared in the source language; refer to the *MSP430 Optimizing C/C++ Compiler User's Guide*.

- The value of symbol `_c_int00` (if present). The `_c_int00` symbol *must* be the entry point if you are linking code produced by the C compiler.
- The value of symbol `main` (if present)
- 0 (default value)

This example links `file1.c.obj` and `file2.c.obj`. The symbol `begin` is the entry point; `begin` must be defined as external in `file1` or `file2`.

```
cl430 --run_linker --entry_point=begin file1.c.obj file2.c.obj
```

See [Section 8.6.1](#) for information about referring to linker symbols in C/C++ code.

#### 8.4.12 Set Default Fill Value (`--fill_value` Option)

The `--fill_value` option fills the holes formed within output sections. The syntax for the option is:

**`--fill_value=`** *value*

The argument *value* is a 32-bit constant (up to eight hexadecimal digits). If you do not use `--fill_value`, the linker uses 0 as the default fill value.

This example fills holes with the hexadecimal value `ABCDABCD`:

```
cl430 --run_linker --fill_value=0xABCDABCD file1.c.obj file2.c.obj
```

#### 8.4.13 Define Heap Size (`--heap_size` Option)

The C/C++ compiler uses an uninitialized section called `.system` for the C run-time memory pool used by `malloc()`. You can set the size of this memory pool at link time by using the `--heap_size` option. The syntax for the `--heap_size` option is:

**`--heap_size=`** *size*

The *size* must be a constant. This example defines a 4K byte heap:

```
cl430 --run_linker --heap_size=0x1000 /* defines a 4k heap (.system section)*/
```

The linker creates the `.system` section only if there is a `.system` section in an input file.

The linker also creates a global symbol, `__TI_SYSTEM_SIZE`, and assigns it a value equal to the size of the heap. The default size is 128 bytes. See [Section 8.6.1](#) for information about referring to linker symbols in C/C++ code. For more about C/C++ linking, see [Section 8.11](#).

#### 8.4.14 Hiding Symbols

Symbol hiding prevents the symbol from being listed in the output file's symbol table. While localization is used to prevent name space clashes in a link unit (see [Section 8.4.16](#)), symbol hiding is used to obscure symbols which should not be visible outside a link unit. Such symbol's names appear only as empty strings or "no name" in object file readers. The linker supports symbol hiding through the `--hide` and `--unhide` options.

The syntax for these options are:

**`--hide='pattern'`**

**`--unhide='pattern'`**

The *pattern* is a "glob" (a string with optional `?` or `*` wildcards). Use `?` to match a single character. Use `*` to match zero or more characters.

The `--hide` option hides global symbols with a linkname matching the *pattern*. It hides symbols matching the pattern by changing the name to an empty string. A global symbol that is hidden is also localized.

The `--unhide` option reveals (un-hides) global symbols that match the *pattern* that are hidden by the `--hide` option. The `--unhide` option excludes symbols that match pattern from symbol hiding provided the pattern defined by `--unhide` is more restrictive than the pattern defined by `--hide`.

These options have the following properties:

- The `--hide` and `--unhide` options can be specified more than once on the command line.
- The order of `--hide` and `--unhide` has no significance.
- A symbol is matched by only one pattern defined by either `--hide` or `--unhide`.
- A symbol is matched by the most restrictive pattern. Pattern A is considered more restrictive than Pattern B, if Pattern A matches a narrower set than Pattern B.
- It is an error if a symbol matches patterns from `--hide` and `--unhide` and one does not supersede the other. Pattern A supersedes pattern B if A can match everything B can and more. If Pattern A supersedes Pattern B, then Pattern B is said to more restrictive than Pattern A.
- These options affect final and partial linking.

In map files these symbols are listed under the Hidden Symbols heading.

#### 8.4.15 Alter the Library Search Algorithm (`--library`, `--search_path`, and `MSP430_C_DIR` )

Usually, when you want to specify a file as linker input, you simply enter the filename; the linker looks for the file in the current directory. For example, suppose the current directory contains the library object.lib. If this library defines symbols that are referenced in the file file1.c.obj, this is how you link the files:

```
c1430 --run_linker file1.c.obj object.lib
```

If you want to use a file that is not in the current directory, use the `--library` linker option. The `--library` option's short form is `-l`. The syntax for this option is:

**`--library=[pathname] filename`**

The *filename* is the name of an archive, an object file, or linker command file. You can specify up to 128 search paths.

The `--library` option is not required when one or more members of an object library are specified for input to an output section. For more information about allocating archive members, see [Section 8.5.5.5](#).

You can adjust the linker's directory search algorithm using the `--search_path` linker option or the `MSP430_C_DIR` environment variable. The linker searches for object libraries and command files in this order:

1. It searches directories named with the `--search_path` linker option. The `--search_path` option must appear before the `--library` option on the command line or in a command file.
2. It searches directories named with `MSP430_C_DIR`.
3. If `MSP430_C_DIR` is not set, it searches directories named with the assembler's `MSP430_A_DIR` environment variable.
4. It searches the current directory.

#### 8.4.15.1 Name an Alternate Library Directory (`--search_path` Option)

The `--search_path` option names an alternate directory that contains input files. The `--search_path` option's short form is `-I`. The syntax for this option is:

**`--search_path=`** *pathname*

The *pathname* names a directory that contains input files.

When the linker is searching for input files named with the `--library` option, it searches through directories named with `--search_path` first. Each `--search_path` option specifies only one directory, but you can have several `--search_path` options per invocation. When you use the `--search_path` option to name an alternate directory, it must precede any `--library` option used on the command line or in a command file.

For example, assume that there are two archive libraries called `r.lib` and `lib2.lib` that reside in `ld` and `ld2` directories. The table below shows the directories that `r.lib` and `lib2.lib` reside in, how to set environment variable, and how to use both libraries during a link. Select the row for your operating system:

Operating System	Enter
UNIX (Bourne shell)	<code>cl430 --run_linker f1.c.obj f2.c.obj --search_path=/ld --search_path=/ld2 --library=r.lib --library=lib2.lib</code>
Windows	<code>cl430 --run_linker f1.c.obj f2.c.obj --search_path=\ld --search_path=\ld2 --library=r.lib --library=lib2.lib</code>



### 8.4.15.2 Name an Alternate Library Directory (MSP430\_C\_DIR Environment Variable)

An environment variable is a system symbol that you define and assign a string to. The linker uses an environment variable named MSP430\_C\_DIR to name alternate directories that contain object libraries. The command syntaxes for assigning the environment variable are:

Operating System	Enter
UNIX (Bourne shell)	<b>MSP430_C_DIR="</b> <i>pathname<sub>1</sub></i> ; <i>pathname<sub>2</sub></i> ; . . . <b>;"</b> ; <b>export MSP430_C_DIR</b>
Windows	<b>set MSP430_C_DIR=</b> <i>pathname<sub>1</sub></i> ; <i>pathname<sub>2</sub></i> ; . . .

The *pathnames* are directories that contain input files. Use the --library linker option on the command line or in a command file to tell the linker which library or linker command file to search for. The pathnames must follow these constraints:

- Pathnames must be separated with a semicolon.
- Spaces or tabs at the beginning or end of a path are ignored. For example the space before and after the semicolon in the following is ignored:

```
set MSP430_C_DIR= c:\path\one\to\tools ; c:\path\two\to\tools
```

- Spaces and tabs are allowed within paths to accommodate Windows directories that contain spaces. For example, the pathnames in the following are valid:

```
set MSP430_C_DIR=c:\first path\to\tools;d:\second path\to\tools
```

In the example below, assume that two archive libraries called r.lib and lib2.lib reside in ld and ld2 directories. The table below shows how to set the environment variable, and how to use both libraries during a link. Select the row for your operating system:

Operating System	Invocation Command
UNIX (Bourne shell)	MSP430_C_DIR="/ld ;/ld2"; export MSP430_C_DIR; cl430 --run_linker f1.c.obj f2.c.obj --library=r.lib --library=lib2.lib
Windows	MSP430_C_DIR=ld;ld2 cl430 --run linker f1.c.obj f2.c.obj --library=r.lib --library=lib2.lib

The environment variable remains set until you reboot the system or reset the variable by entering:

Operating System	Enter
UNIX (Bourne shell)	unset MSP430_C_DIR
Windows	set MSP430_C_DIR=

The assembler uses an environment variable named MSP430\_A\_DIR to name alternate directories that contain copy/include files or macro libraries. If MSP430\_C\_DIR is not set, the linker searches for object libraries in the directories named with MSP430\_A\_DIR. For information about MSP430\_A\_DIR, see [Section 4.5.2](#). For more information about object libraries, see [Section 8.6.3](#).

### 8.4.15.3 Exhaustively Read and Search Libraries (--reread\_libs and --priority Options)

There are two ways to exhaustively search for unresolved symbols:

- Reread libraries if you cannot resolve a symbol reference (--reread\_libs).
- Search libraries in the order that they are specified (--priority).

The linker normally reads input files, including archive libraries, only once when they are encountered on the command line or in the command file. When an archive is read, any members that resolve references to undefined symbols are included in the link. If an input file later references a symbol defined in a previously read archive library, the reference is not resolved.

With the `--reread_libs` option, you can force the linker to reread all libraries. The linker rereads libraries until no more references can be resolved. Linking using `--reread_libs` may be slower, so you should use it only as needed. For example, if `a.lib` contains a reference to a symbol defined in `b.lib`, and `b.lib` contains a reference to a symbol defined in `a.lib`, you can resolve the mutual dependencies by listing one of the libraries twice, as in:

```
cl430 --run_linker --library=a.lib --library=b.lib --library=a.lib
```

or you can force the linker to do it for you:

```
cl430 --run_linker --reread_libs --library=a.lib --library=b.lib
```

The `--priority` option provides an alternate search mechanism for libraries. Using `--priority` causes each unresolved reference to be satisfied by the first library that contains a definition for that symbol. For example:

```
objfile  references A
lib1     defines B
lib2     defines A, B; obj defining A references B
% cl430 --run_linker objfile lib1 lib2
```

Under the existing model, `objfile` resolves its reference to `A` in `lib2`, pulling in a reference to `B`, which resolves to the `B` in `lib2`.

Under `--priority`, `objfile` resolves its reference to `A` in `lib2`, pulling in a reference to `B`, but now `B` is resolved by searching the libraries in order and resolves `B` to the first definition it finds, namely the one in `lib1`.

The `--priority` option is useful for libraries that provide overriding definitions for related sets of functions in other libraries without having to provide a complete version of the whole library.

For example, suppose you want to override versions of `malloc` and `free` defined in the `rts430.lib` without providing a full replacement for `rts430.lib`. Using `--priority` and linking your new library before `rts430.lib` guarantees that all references to `malloc` and `free` resolve to the new library.

The `--priority` option is intended to support linking programs with SYS/BIOS where situations like the one illustrated above occur.

#### 8.4.16 Change Symbol Localization

Symbol localization changes symbol linkage from global to local (static). This is used to obscure global symbols that should not be widely visible, but must be global because they are accessed by several modules in the library. The linker supports symbol localization through the `--localize` and `--globalize` linker options.

The syntax for these options are:

```
--localize='pattern'
```

```
--globalize='pattern'
```

The *pattern* is a "glob" (a string with optional `?` or `*` wildcards). Use `?` to match a single character. Use `*` to match zero or more characters.

The `--localize` option changes the symbol linkage to local for symbols matching the *pattern*.

The `--globalize` option changes the symbol linkage to global for symbols matching the *pattern*. The `--globalize` option only affects symbols that are localized by the `--localize` option. The `--globalize` option excludes symbols that match the *pattern* from symbol localization, provided the *pattern* defined by `--globalize` is more restrictive than the *pattern* defined by `--localize`.

See [Section 8.4.2](#) for information about using C/C++ identifiers in linker options such as `--localize` and `--globalize`.

These options have the following properties:

- The `--localize` and `--globalize` options can be specified more than once on the command line.
- The order of `--localize` and `--globalize` options has no significance.
- A symbol is matched by only one pattern defined by either `--localize` or `--globalize`.
- A symbol is matched by the most restrictive pattern. Pattern A is considered more restrictive than Pattern B, if Pattern A matches a narrower set than Pattern B.
- It is an error if a symbol matches patterns from `--localize` and `--globalize` and if one does not supersede other. Pattern A supersedes pattern B if A can match everything B can, and some more. If Pattern A supersedes Pattern B, then Pattern B is said to more restrictive than Pattern A.
- These options affect final and partial linking.

In map files these symbols are listed under the Localized Symbols heading.

#### 8.4.16.1 Make All Global Symbols Static (`--make_static` Option)

The `--make_static` option makes all global symbols static. Static symbols are not visible to externally linked modules. By making global symbols static, global symbols are essentially hidden. This allows external symbols with the same name (in different files) to be treated as unique.

The `--make_static` option effectively nullifies all `.global` assembler directives. All symbols become local to the module in which they are defined, so no external references are possible. For example, assume `file1.c.obj` and `file2.c.obj` both define global symbols called `EXT`. By using the `--make_static` option, you can link these files without conflict. The symbol `EXT` defined in `file1.c.obj` is treated separately from the symbol `EXT` defined in `file2.c.obj`.

```
c1430 --run_linker --make_static file1.c.obj file2.c.obj
```

The `--make_static` option makes all global symbols static. If you have a symbol that you want to remain global and you use the `--make_static` option, you can use the `--make_global` option to declare that symbol to be global. The `--make_global` option overrides the effect of the `--make_static` option for the symbol that you specify. The syntax for the `--make_global` option is:

```
--make_global= global_symbol
```

#### 8.4.17 Create a Map File (`--map_file` Option)

The syntax for the `--map_file` option is:

```
--map_file= filename
```

The linker map describes:

- Memory configuration
- Input and output section allocation
- Linker-generated copy tables
- The addresses of external symbols after they have been relocated
- Hidden and localized symbols

The map file contains the name of the output module and the entry point; it can also contain up to three tables:

- A table showing the new memory configuration if any nondefault memory is specified (memory configuration). The table has the following columns; this information is generated on the basis of the information in the `MEMORY` directive in the linker command file:
  - **Name.** This is the name of the memory range specified with the `MEMORY` directive.
  - **Origin.** This specifies the starting address of a memory range.
  - **Length.** This specifies the length of a memory range.
  - **Unused.** This specifies the total amount of unused (available) memory in that memory area.
  - **Attributes.** This specifies one to four attributes associated with the named range:

- R specifies that the memory can be read.
- W specifies that the memory can be written to.
- X specifies that the memory can contain executable code.
- I specifies that the memory can be initialized.

For more information about the MEMORY directive, see [Section 8.5.4](#).

- A table showing the linked addresses of each output section and the input sections that make up the output sections (section placement map). This table has the following columns; this information is generated on the basis of the information in the SECTIONS directive in the linker command file:
  - **Output section.** This is the name of the output section specified with the SECTIONS directive.
  - **Origin.** The first origin listed for each output section is the starting address of that output section. The indented origin value is the starting address of that portion of the output section.
  - **Length.** The first length listed for each output section is the length of that output section. The indented length value is the length of that portion of the output section.
  - **Attributes/input sections.** This lists the input file or value associated with an output section. If the input section could not be allocated, the map file will indicate this with "FAILED TO ALLOCATE".

For more information about the SECTIONS directive, see [Section 8.5.5](#).

- A table showing each external symbol and its address sorted by symbol name.
- A table showing each external symbol and its address sorted by symbol address.

The following example links file1.c.obj and file2.c.obj and creates a map file called map.out:

```
cl430 --run_linker file1.c.obj file2.c.obj --map_file=map.out
```

[Example 8-31](#) shows an example of a map file.

### 8.4.18 Managing Map File Contents (`--mapfile_contents` Option)

The `--mapfile_contents` option assists with managing the content of linker-generated map files. The syntax for the `--mapfile_contents` option is:

```
--mapfile_contents= filter[, filter]
```

When the `--map_file` option is specified, the linker produces a map file containing information about memory usage, placement information about sections that were created during a link, details about linker-generated copy tables, and symbol values.

The `--mapfile_contents` option provides a mechanism for you to control what information is included in or excluded from a map file. When you specify `--mapfile_contents=help` from the command line, a help screen listing available filter options is displayed. The following filter options are available:

Attribute	Description	Default State
crctables	CRC tables	On
copytables	Copy tables	On
entry	Entry point	On
load_addr	Display load addresses	Off
memory	Memory ranges	On
modules	Module view	On
sections	Sections	On
sym_defs	Defined symbols per file	Off
sym_dp	Symbols sorted by data page	On
sym_name	Symbols sorted by name	On
sym_runaddr	Symbols sorted by run address	On
all	Enables all attributes	
none	Disables all attributes	

The `--mapfile_contents` option controls display filter settings by specifying a comma-delimited list of display attributes. When prefixed with the word `no`, an attribute is disabled instead of enabled. For example:

```
--mapfile_contents=copytables,noentry
--mapfile_contents=all,nocopytables
--mapfile_contents=none,entry
```

By default, those sections that are currently included in the map file when the `--map_file` option is specified are included. The filters specified in the `--mapfile_contents` options are processed in the order that they appear in the command line. In the third example above, the first filter, `none`, clears all map file content. The second filter, `entry`, then enables information about entry points to be included in the generated map file. That is, when `--mapfile_contents=none,entry` is specified, the map file contains *only* information about entry points.

The `load_addr` and `sym_defs` attributes are both disabled by default.

If you turn on the `load_addr` filter, the map file includes the load address of symbols that are included in the symbol list in addition to the run address (if the load address is different from the run address).

You can use the `sym_defs` filter to include information sorted on a file by file basis. You may find it useful to replace the `sym_name`, `sym_dp`, and `sym_runaddr` sections of the map file with the `sym_defs` section by specifying the following `--mapfile_contents` option:

```
--mapfile_contents=nosym_name,nosym_dp,nosym_runaddr,sym_defs
```

By default, information about global symbols defined in an application are included in tables sorted by name, data page, and run address. If you use the `--mapfile_contents=sym_defs` option, static variables are also listed.

#### 8.4.19 Disable Name Demangling (`--no_demangle`)

By default, the linker uses demangled symbol names in diagnostics. For example:

```
undefined symbol          first referenced in file
ANewClass::getValue()    test.cpp.obj
```

The `--no_demangle` option instead shows the linkname for symbols in diagnostics. For example:

```
undefined symbol          first referenced in file
_ZN9ANewClass8getValueEv  test.cpp.obj
```

For information on referencing symbol names, see the "Object File Symbol Naming Conventions (Linknames)" section in the *MSP430 Optimizing C/C++ Compiler User's Guide*.

For information specifically about C++ symbol naming, see the "C++ Name Demangler" chapter in the *MSP430 Optimizing C/C++ Compiler User's Guide*.

#### 8.4.20 Disable Merging of Symbolic Debugging Information (`--no_sym_merge` Option)

By default, the linker eliminates duplicate entries of symbolic debugging information. Such duplicate information is commonly generated when a C program is compiled for debugging. For example:

```
-[ header.h ]-
typedef struct
{
    <define some structure members>
} XYZ;

-[ f1.c ]-
#include "header.h"
...

-[ f2.c ]-
#include "header.h"
...
```

When these files are compiled for debugging, both `f1.c.obj` and `f2.c.obj` have symbolic debugging entries to describe type XYZ. For the final output file, only one set of these entries is necessary. The linker eliminates the duplicate entries automatically.

#### 8.4.21 Strip Symbolic Information (`--no_symtable` Option)

The `--no_symtable` option creates a smaller output module by omitting symbol table information and line number entries. The `--no_sym_table` option is useful for production applications when you do not want to disclose symbolic information to the consumer.

This example links `file1.c.obj` and `file2.c.obj` and creates an output module, stripped of line numbers and symbol table information, named `nosym.out`:

```
cl430 --run_linker --output_file=nosym.out --no_symtable file1.c.obj file2.c.obj
```

Using the `--no_symtable` option limits later use of a symbolic debugger.

---

##### Stripping Symbolic Information

**NOTE:** The `--no_symtable` option is deprecated. To remove symbol table information, use the `strip430` utility as described in [Section 11.4](#).

---

#### 8.4.22 Name an Output Module (`--output_file` Option)

The linker creates an output module when no errors are encountered. If you do not specify a filename for the output module, the linker gives it the default name `a.out`. If you want to write the output module to a different file, use the `--output_file` option. The syntax for the `--output_file` option is:

**`--output_file=` *filename***

The *filename* is the new output module name.

This example links `file1.c.obj` and `file2.c.obj` and creates an output module named `run.out`:

```
cl430 --run_linker --output_file=run.out file1.c.obj file2.c.obj
```

#### 8.4.23 Prioritizing Function Placement (`--preferred_order` Option)

The compiler prioritizes the placement of a function relative to others based on the order in which `--preferred_order` options are encountered during the linker invocation. The syntax is:

**`--preferred_order=` *function specification***

Refer to the *MSP430 Optimizing C/C++ Compiler User's Guide* for details on the program cache layout tool, which is impacted by `--preferred_order`.

#### 8.4.24 C Language Options (`--ram_model` and `--rom_model` Options)

The `--ram_model` and `--rom_model` options cause the linker to use linking conventions that are required by the C compiler. Both options inform the linker that the program is a C program and requires a boot routine.

- The `--ram_model` option tells the linker to initialize variables at load time.
- The `--rom_model` option tells the linker to autoinitialize variables at run time.

If you use a linker command line that does not compile any C/C++ files, you must use either the `--rom_model` or `--ram_model` option. If your command line fails to include one of these options when it is required, you will see "warning: no suitable entry-point found; setting to 0".

If you use a single command line to both compile and link, the `--rom_model` option is the default. If used, the `--rom_model` or `--ram_model` option must follow the `--run_linker` option.

For more information, see [Section 8.11](#), [Section 3.3.2.1](#), and [Section 3.3.2.2](#).

### 8.4.25 Retain Discarded Sections (--retain Option)

When `--unused_section_elimination` is on, the ELF linker does not include a section in the final link if it is not needed in the executable to resolve references. The `--retain` option tells the linker to retain a list of sections that would otherwise not be retained. This option accepts the wildcards `'*'` and `'?'`. When wildcards are used, the argument should be in quotes. The syntax for this option is:

`--retain=sym_or_scn_spec`

The `--retain` option take one of the following forms:

- **--retain= symbol\_spec**  
Specifying the symbol format retains sections that define *symbol\_spec*. For example, this code retains sections that define symbols that start with `init`:  
`--retain='init*'`  
You cannot specify `--retain='*'`.
- **--retain= file\_spec(scn\_spec[, scn\_spec, ...])**  
Specifying the file format retains sections that match one or more *scn\_spec* from files matching the *file\_spec*. For example, this code retains `.intvec` sections from all input files:  
`--retain='*(.int*)'`  
You can specify `--retain='*(*).'` to retain all sections from all input files. However, this does not prevent sections from library members from being optimized out.
- **--retain= ar\_spec<mem\_spec, [mem\_spec, ...]>(scn\_spec[, scn\_spec, ...])**  
Specifying the archive format retains sections matching one or more *scn\_spec* from members matching one or more *mem\_spec* from archive files matching *ar\_spec*. For example, this code retains the `.text` sections from `printf.c.obj` in the `rts430_eabi.lib` library:  
`--retain=rts430_eabi.lib<printf.c.obj>( .text )`  
If the library is specified with the `--library` option (`--library=rts64plus_eabi.lib`) the library search path is used to search for the library. You cannot specify `'*<*>(*)'`.

### 8.4.26 Create an Absolute Listing File (--run\_abs Option)

The `--run_abs` option produces an output file for each file linked. These files are named with the input filenames and an extension of `.abs`. Header files, however, do not generate a corresponding `.abs` file.

### 8.4.27 Scan All Libraries for Duplicate Symbol Definitions (--scan\_libraries)

The `--scan_libraries` option scans all libraries during a link looking for duplicate symbol definitions to those symbols that are actually included in the link. The scan does not consider absolute symbols or symbols defined in COMDAT sections. The `--scan_libraries` option helps determine those symbols that were actually chosen by the linker over other existing definitions of the same symbol in a library.

The library scanning feature can be used to check against unintended resolution of a symbol reference to a definition when multiple definitions are available in the libraries.

### 8.4.28 Define Stack Size (`--stack_size` Option)

The MSP430 C/C++ compiler uses an uninitialized section, `.stack`, to allocate space for the run-time stack. You can set the size of this section in bytes at link time with the `--stack_size` option. The syntax for the `--stack_size` option is:

**`--stack_size= size`**

The *size* must be a constant and is in bytes. This example defines a 4K byte stack:

```
c1430 --run_linker --stack_size=0x1000 /* defines a 4K heap (.stack section)*/
```

If you specified a different stack size in an input section, the input section stack size is ignored. Any symbols defined in the input section remain valid; only the stack size is different.

When the linker defines the `.stack` section, it also defines a global symbol, `__TI_STACK_SIZE`, and assigns it a value equal to the size of the section. The default software stack size is 128 bytes. See [Section 8.6.1](#) for information about referring to linker symbols in C/C++ code.

### 8.4.29 Enforce Strict Compatibility (`--strict_compatibility` Option)

The linker performs more conservative and rigorous compatibility checking of input object files when you specify the `--strict_compatibility` option. Using this option guards against additional potential compatibility issues, but may signal false compatibility errors when linking in object files built with an older toolset, or with object files built with another compiler vendor's toolset. To avoid issues with legacy libraries, the `--strict_compatibility` option is turned off by default.

### 8.4.30 Mapping of Symbols (`--symbol_map` Option)

Symbol mapping allows a symbol reference to be resolved by a symbol with a different name. Symbol mapping allows functions to be overridden with alternate definitions. This feature can be used to patch in alternate implementations, which provide patches (bug fixes) or alternate functionality. The syntax for the `--symbol_map` option is:

**`--symbol_map= refname=defname`**

For example, the following code makes the linker resolve any references to `foo` by the definition `foo_patch`:

```
--symbol_map='foo=foo_patch'
```

The `--symbol_map` option is now supported even if `--opt_level=4` was used when compiling.

### 8.4.31 Introduce an Unresolved Symbol (`--undef_sym` Option)

The `--undef_sym` option introduces the linkname for an unresolved symbol into the linker's symbol table. This forces the linker to search a library and include the member that defines the symbol. The linker must encounter the `--undef_sym` option *before* it links in the member that defines the symbol. The syntax for the `--undef_sym` option is:

**`--undef_sym= symbol`**

For example, suppose a library named `rts430.lib` contains a member that defines the symbol `symtab`; none of the object files being linked reference `symtab`. However, suppose you plan to relink the output module and you want to include the library member that defines `symtab` in this link. Using the `--undef_sym` option as shown below forces the linker to search `rts430.lib` for the member that defines `symtab` and to link in the member.

```
c1430 --run_linker --undef_sym=symtab file1.c.obj file2.c.obj rts430.lib
```

If you do not use `--undef_sym`, this member is not included, because there is no explicit reference to it in `file1.c.obj` or `file2.c.obj`.



#### 8.4.32 **Replace Multiply Routine With Hardware Multiplier Routine (--use\_hw\_mpy)**

This option is now a compiler option and may not be used as a linker option, even though some of its effects take place at link time. It should be placed on the command line before the --run\_linker or -z option. See the *MSP430 Optimizing C/C++ Compiler User's Guide* for details.

#### 8.4.33 **Display a Message When an Undefined Output Section Is Created (--warn\_sections)**

In a linker command file, you can set up a SECTIONS directive that describes how input sections are combined into output sections. However, if the linker encounters one or more input sections that do not have a corresponding output section defined in the SECTIONS directive, the linker combines the input sections that have the same name into an output section with that name. By default, the linker does not display a message to tell you that this occurred.

You can use the --warn\_sections option to cause the linker to display a message when it creates a new output section.

For more information about the SECTIONS directive, see [Section 8.5.5](#). For more information about the default actions of the linker, see [Section 8.7](#).

#### 8.4.34 **Generate XML Link Information File (--xml\_link\_info Option)**

The linker supports the generation of an XML link information file through the --xml\_link\_info=file option. This option causes the linker to generate a well-formed XML file containing detailed information about the result of a link. The information included in this file includes all of the information that is currently produced in a linker generated map file. See [Appendix B](#) for specifics on the contents of the generated XML file.

#### 8.4.35 **Zero Initialization (--zero\_init Option)**

The C and C++ standards require that global and static variables that are not explicitly initialized must be set to 0 before program execution. The C/C++ compiler supports preinitialization of uninitialized variables by default. To turn this off, specify the linker option --zero\_init=off.

The syntax for the --zero\_init option is:

```
--zero_init[={on|off}]
```

Zero initialization takes place only if the --rom\_model linker option, which causes autoinitialization to occur, is used. If you use the --ram\_model option for linking, the linker does not generate initialization records, and the loader must handle both data and zero initialization.

---

##### **Disabling Zero Initialization Not Recommended**

**NOTE:** In general, disabling zero initialization is not recommended. If you turn off zero initialization, automatic initialization of uninitialized global and static objects to zero will not occur. You are then expected to initialize these variables to zero in some other manner.

---

## 8.5 Linker Command Files

Linker command files allow you to put linker options and directives in a file; this is useful when you invoke the linker often with the same options and directives. Linker command files are also useful because they allow you to use the MEMORY and SECTIONS directives to customize your application. You must use these directives in a command file; you cannot use them on the command line.

Linker command files are ASCII files that contain one or more of the following:

- Input filenames, which specify object files, archive libraries, or other command files. (If a command file calls another command file as input, this statement must be the *last* statement in the calling command file. The linker does not return from called command files.)
- Linker options, which can be used in the command file in the same manner that they are used on the command line
- The MEMORY and SECTIONS linker directives. The MEMORY directive defines the target memory configuration (see [Section 8.5.4](#)). The SECTIONS directive controls how sections are built and allocated (see [Section 8.5.5](#).)
- Assignment statements, which define and assign values to global symbols

To invoke the linker with a command file, enter the `cl430 --run_linker` command and follow it with the name of the command file:

```
cl430 --run_linker command_filename
```

The linker processes input files in the order that it encounters them. If the linker recognizes a file as an object file, it links the file. Otherwise, it assumes that a file is a command file and begins reading and processing commands from it. Command filenames are case sensitive, regardless of the system used.

[Example 8-1](#) shows a sample linker command file called `link.cmd`.

### Example 8-1. Linker Command File

```
a.c.obj          /* First input filename      */
b.c.obj          /* Second input filename     */
--output_file=prog.out /* Option to specify output file */
--map_file=prog.map /* Option to specify map file  */
```

The sample file in [Example 8-1](#) contains only filenames and options. (You can place comments in a command file by delimiting them with `/*` and `*/`.) To invoke the linker with this command file, enter:

```
cl430 --run_linker link.cmd
```

You can place other parameters on the command line when you use a command file:

```
cl430 --run_linker --relocatable link.cmd x.c.obj y.c.obj
```

The linker processes the command file as soon as it encounters the filename, so `a.c.obj` and `b.c.obj` are linked into the output module before `x.c.obj` and `y.c.obj`.

You can specify multiple command files. If, for example, you have a file called `names.lst` that contains filenames and another file called `dir.cmd` that contains linker directives, you could enter:

```
cl430 --run_linker names.lst dir.cmd
```

One command file can call another command file; this type of nesting is limited to 16 levels. If a command file calls another command file as input, this statement must be the *last* statement in the calling command file.

Blanks and blank lines are insignificant in a command file except as delimiters. This also applies to the format of linker directives in a command file. [Example 8-2](#) shows a sample command file that contains linker directives.

### Example 8-2. Command File With Linker Directives

```
a.obj b.obj c.obj          /* Input filenames      */
--output_file=prog.out    /* Options            */
--map_file=prog.map

MEMORY                    /* MEMORY directive   */
{
  RAM:      origin = 0x0200    length = 0x0100
  EXT_MEM:  origin = 0x1000    length = 0x1000
}

SECTIONS                  /* SECTIONS directive */
{
  .text:    > EXT_MEM
  .data:    > EXT_MEM
  .bss:     > RAM
}
```

For more information, see [Section 8.5.4](#) for the MEMORY directive, and [Section 8.5.5](#) for the SECTIONS directive.

### 8.5.1 Reserved Names in Linker Command Files

The following names (in both uppercase and lowercase) are reserved as keywords for linker directives. Do not use them as symbol or section names in a command file.

ADDRESS_MASK	END	LEN	o	SECTIONS
ALGORITHM	f	LENGTH	ORG	SIZE
ALIGN	FILL	LOAD	ORIGIN	START
ATTR	GROUP	LOAD_END	PAGE	TABLE
BLOCK	HAMMING_MASK	LOAD_SIZE	PALIGN	TYPE
COMPRESSION	HIGH	LOAD_START	PARITY_MASK	UNION
COPY	INPUT_PAGE	MEMORY	RUN	UNORDERED
CRC_TABLE	INPUT_RANGE	MIRRORING	RUN_END	VECT_INIT
DSECT	l (lowercase L)	NOINIT	RUN_SIZE	VFILL
ECC	LAST	NOLOAD	RUN_START	

In addition, any section names used by the TI tools are reserved from being used as the prefix for other names, unless the section will be a subsection of the section name used by the TI tools. For example, section names may not begin with .debug.

### 8.5.2 Constants in Linker Command Files

You can specify constants with either of two syntax schemes: the scheme used for specifying decimal, octal, or hexadecimal constants (but not binary constants) used in the assembler (see [Section 4.7](#)) or the scheme used for integer constants in C syntax.

Examples:

Format	Decimal	Octal	Hexadecimal
Assembler format	32	40q	020h
C format	32	040	0x20

### 8.5.3 Accessing Files and Libraries from a Linker Command File

Many applications use custom linker command files (or LCFs) to control the placement of code and data in target memory. For example, you may want to place a specific data object from a specific file into a specific location in target memory. This is simple to do using the available LCF syntax to reference the desired object file or library. However, a problem that many developers run into when they try to do this is a linker generated "file not found" error when accessing an object file or library from inside the LCF that has been specified earlier in the command-line invocation of the linker. Most often, this error occurs because the syntax used to access the file on the linker command-line does not match the syntax that is used to access the same file in the LCF.

Consider a simple example. Imagine that you have an application that requires a table of constants called "app\_coefs" to be defined in a memory area called "DDR". Assume also that the "app\_coefs" data object is defined in a .data section that resides in an object file, app\_coefs.c.obj. The app\_coefs.c.obj file is then included in the object file library app\_data.lib. In your LCF, you can control the placement of the "app\_coefs" data object as follows:

```
SECTIONS
{
    ...
    .coefs: { app_data.lib<app_coefs.c.obj>(.data) } > DDR
    ...
}
```

Now assume that the app\_data.lib object library resides in a sub-directory called "lib" relative to where you are building the application. In order to gain access to app\_data.lib from the build command-line, you can use a combination of the `-i` and `-l` options to set up a directory search path which the linker can use to find the app\_data.lib library:

```
%> cl430 <compile options/files> -z -i ./lib -l app_data.lib mylnk.cmd <link options/files>
```

The `-i` option adds the lib sub-directory to the directory search path and the `-l` option instructs the linker to look through the directories in the directory search path to find the app\_data.lib library. However, if you do not update the reference to app\_data.lib in mylnk.cmd, the linker will fail to find the app\_data.lib library and generate a "file not found" error. The reason is that when the linker encounters the reference to app\_data.lib inside the SECTIONS directive, there is no `-l` option preceding the reference. Therefore, the linker tries to open app\_data.lib in the current working directory.

In essence, the linker has a few different ways of opening files:

- If there is a path specified, the linker will look for the file in the specified location. For an absolute path, the linker will try to open the file in the specified directory. For a relative path, the linker will follow the specified path starting from the current working directory and try to open the file at that location.
- If there is no path specified, the linker will try to open the file in the current working directory.
- If a `-l` option precedes the file reference, then the linker will try to find and open the referenced file in one of the directories in the directory search path. The directory search path is set up via `-i` options and environment variables (like `C_DIR` and `LD_LIBRARY_PATH`).

As long as a file is referenced in a consistent manner on the command line and throughout any applicable LCFs, the linker will be able to find and open your object files and libraries.

Returning to the earlier example, you can insert a `-l` option in front of the reference to app\_data.lib in mylnk.cmd to ensure that the linker will find and open the app\_data.lib library when the application is built:

```
SECTIONS
{
    ...
    .coefs: { -l app_data.lib<app_coefs.c.obj>(.data) } > DDR
    ...
}
```

Another benefit to using the `-l` option when referencing a file from within an LCF is that if the location of the referenced file changes, you can modify the directory search path to incorporate the new location of the file (using `-i` option on the command line, for example) without having to modify the LCF.

## 8.5.4 The MEMORY Directive

The linker determines where output sections are allocated into memory; it must have a model of target memory to accomplish this. The MEMORY directive allows you to specify a model of target memory so that you can define the types of memory your system contains and the address ranges they occupy. The linker maintains the model as it allocates output sections and uses it to determine which memory locations can be used for object code.

The memory configurations of MSP430 systems differ from application to application. The MEMORY directive allows you to specify a variety of configurations. After you use MEMORY to define a memory model, you can use the SECTIONS directive to allocate output sections into defined memory.

For more information, see [Section 2.5](#).

### 8.5.4.1 Default Memory Model

The assembler inserts a field in the output file's header, identifying the MSP430 device. The linker reads this information from the object file's header. If you do not use the MEMORY directive, the linker uses a default memory model specific to the named device. For more information about the default memory model, see [Section 8.7](#).

### 8.5.4.2 MEMORY Directive Syntax

The MEMORY directive identifies ranges of memory that are physically present in the target system and can be used by a program. Each range has several characteristics:

- Name
- Starting address
- Length
- Optional set of attributes
- Optional fill specification

When you use the MEMORY directive, be sure to identify all memory ranges that are available for the program to access at run time. Memory defined by the MEMORY directive is configured; any memory that you do not explicitly account for with MEMORY is unconfigured. The linker does not place any part of a program into unconfigured memory. You can represent nonexistent memory spaces by simply not including an address range in a MEMORY directive statement.

The MEMORY directive is specified in a command file by the word MEMORY (uppercase), followed by a list of memory range specifications enclosed in braces. The MEMORY directive in [Example 8-3](#) defines a system that has 0xEEE0 bytes of flash memory at address 0x1100 and 0x0800 bytes of RAM at address 0x0200. It also demonstrates the use of memory range expressions as well as start/end/size address operators (see [Example 8-4](#)).

#### Example 8-3. The MEMORY Directive

```

/*****
/*      Sample command file with MEMORY directive      */
/*****
file1.c.obj   file2.c.obj           /*      Input files      */
--output_file=prog.out           /*      Options        */

MEMORY
{
    FLASH (RX):  origin = 0x1100  length = 0xEEE0
    RAM (RX):    origin = 0x0200  length = 0x0800
}

```

The general syntax for the MEMORY directive is:

**MEMORY**

```
{
  name 1 [( attr )] : origin = expr , length = expr [, fill = constant] [ LAST( sym )]
  .
  .
  name n [( attr )] : origin = expr , length = expr [, fill = constant] [ LAST( sym )]
}
```

<b>name</b>	names a memory range. A memory name can be one to 64 characters; valid characters include A-Z, a-z, \$, ., and _. The names have no special significance to the linker; they simply identify memory ranges. Memory range names are internal to the linker and are not retained in the output file or in the symbol table. All memory ranges must have unique names and must not overlap.
<b>attr</b>	specifies one to four attributes associated with the named range. Attributes are optional; when used, they must be enclosed in parentheses. Attributes restrict the allocation of output sections into certain memory ranges. If you do not use any attributes, you can allocate any output section into any range with no restrictions. Any memory for which no attributes are specified (including all memory in the default model) has all four attributes. Valid attributes are: <b>R</b> specifies that the memory can be read. <b>W</b> specifies that the memory can be written to. <b>X</b> specifies that the memory can contain executable code. <b>I</b> specifies that the memory can be initialized.
<b>origin</b>	specifies the starting address of a memory range; enter as <i>origin</i> , <i>org</i> , or <i>o</i> . The value, specified in bytes, is a 16-bit integer constant expression, which can be decimal, octal, or hexadecimal.
<b>length</b>	specifies the length of a memory range; enter as <i>length</i> , <i>len</i> , or <i>l</i> . The value, specified in bytes, is a 32-bit integer constant expression, which can be decimal, octal, or hexadecimal.
<b>fill</b>	specifies a fill character for the memory range; enter as <i>fill</i> or <i>f</i> . Fills are optional. The value is an integer constant and can be decimal, octal, or hexadecimal. The fill value is used to fill areas of the memory range that are not allocated to a section. (See <a href="#">Section 8.5.9.3</a> for virtual filling of memory ranges when using Error Correcting Code (ECC).)
<b>LAST</b>	optionally specifies a symbol that can be used at run-time to find the address of the last allocated byte in the memory range. See <a href="#">Section 8.5.10.8</a> .

---

**Filling Memory Ranges**

**NOTE:** If you specify fill values for large memory ranges, your output file will be very large because filling a memory range (even with 0s) causes raw data to be generated for all unallocated blocks of memory in the range.

---

The following example specifies a memory range with the R and W attributes and a fill constant of 0FFFFh:

```
MEMORY
{
  RFILE (RW) : o = 0x0020, l = 0x1000, f = 0x0FFFF
}
```

You normally use the MEMORY directive in conjunction with the SECTIONS directive to control placement of output sections. For more information about the SECTIONS directive, see [Section 8.5.5](#).

### 8.5.4.3 Expressions and Address Operators

Memory range origin and length can use expressions of integer constants with the following operators:

Binary operators:    \* / % + - << >> == = < <= > >= & | && ||  
Unary operators:    - ~ !

Expressions are evaluated using standard C operator precedence rules.

No checking is done for overflow or underflow, however, expressions are evaluated using a larger integer type.

Preprocess directive #define constants can be used in place of integer constants. Global symbols cannot be used in Memory Directive expressions.

Three address operators reference memory range properties from prior memory range entries:

START(MR)	Returns start address for previously defined memory range MR.
SIZE(MR)	Returns size of previously defined memory range MR.
END(MR)	Returns end address for previously defined memory range MR.

#### Example 8-4. Origin and Length as Expressions

```

/*****
/*      Sample command file with MEMORY directive      */
/*****
file1.c.obj file2.c.obj          /*      Input files      */
--output_file=prog.out          /*      Options      */
#define ORIGIN 0x00000000
#define BUFFER 0x00000200
#define CACHE  0x0001000

MEMORY
{
    FAST_MEM (RX): origin = ORIGIN + CACHE length = 0x00001000 + BUFFER
    SLOW_MEM (RW): origin = end(FAST_MEM) length = 0x00001800 - size(FAST_MEM)
    EXT_MEM  (RX): origin = 0x10000000    length = size(FAST_MEM) - CACHE
}

```

### 8.5.5 The SECTIONS Directive

After you use MEMORY to specify the target system's memory model, you can use SECTIONS to allocate output sections into specific named memory ranges or into memory that has specific attributes. For example, you could allocate the .text and .data sections into the area named FLASH and allocate the .bss section into the area named RAM.

The SECTIONS directive controls your sections in the following ways:

- Describes how input sections are combined into output sections
- Defines output sections in the executable program
- Allows you to control where output sections are placed in memory in relation to each other and to the entire memory space (Note that the memory placement order is *not* simply the sequence in which sections occur in the SECTIONS directive.)
- Permits renaming of output sections

For more information, see [Section 2.5](#), [Section 2.7](#), and [Section 2.4.6](#). Subsections allow you to manipulate sections with greater precision.

If you do not specify a SECTIONS directive, the linker uses a default algorithm for combining and allocating the sections. [Section 8.7](#) describes this algorithm in detail.

### 8.5.5.1 SECTIONS Directive Syntax

The SECTIONS directive is specified in a command file by the word SECTIONS (uppercase), followed by a list of output section specifications enclosed in braces.

The general syntax for the SECTIONS directive is:

```

SECTIONS
{
    name : [property [, property] [, property] . . . ]
    name : [property [, property] [, property] . . . ]
    name : [property [, property] [, property] . . . ]
}
    
```

Each section specification, beginning with *name*, defines an output section. (An output section is a section in the output file.) Section names can refer to sections, subsections, or archive library members. (See [Section 8.5.5.4](#) for information on multi-level subsections.) After the section name is a list of properties that define the section's contents and how the section is allocated. The properties can be separated by optional commas. Possible properties for a section are as follows:

- Load allocation** defines where in memory the section is to be loaded. See [Section 3.5](#), [Section 3.1.1](#), and [Section 8.5.6](#).  
 Syntax:     **load** = *allocation*                                 or  
           > *allocation*
- Run allocation** defines where in memory the section is to be run.  
 Syntax:     **run** = *allocation*                                 or  
           **run** > *allocation*
- Input sections** defines the input sections (object files) that constitute the output section. See [Section 8.5.5.3](#).  
 Syntax:     { *input\_sections* }
- Section type** defines flags for special section types. See [Section 8.5.8](#).  
 Syntax:     **type** = **COPY**   or  
           **type** = **DSECT**   or  
           **type** = **NOLOAD**   or  
           **type** = **VECT\_INIT**
- Fill value** defines the value used to fill uninitialized holes. See [Section 8.5.11](#).  
 Syntax:     **fill** = *value*

[Example 8-5](#) shows a SECTIONS directive in a sample linker command file.



**Example 8-5. The SECTIONS Directive**

```

/*****
/*      Sample command file with SECTIONS directive      */
/*****
file1.c.obj file2.c.obj                /* Input files */
--output_file=progr.out                /* Options      */

SECTIONS
{
    .bss      : load = RAM

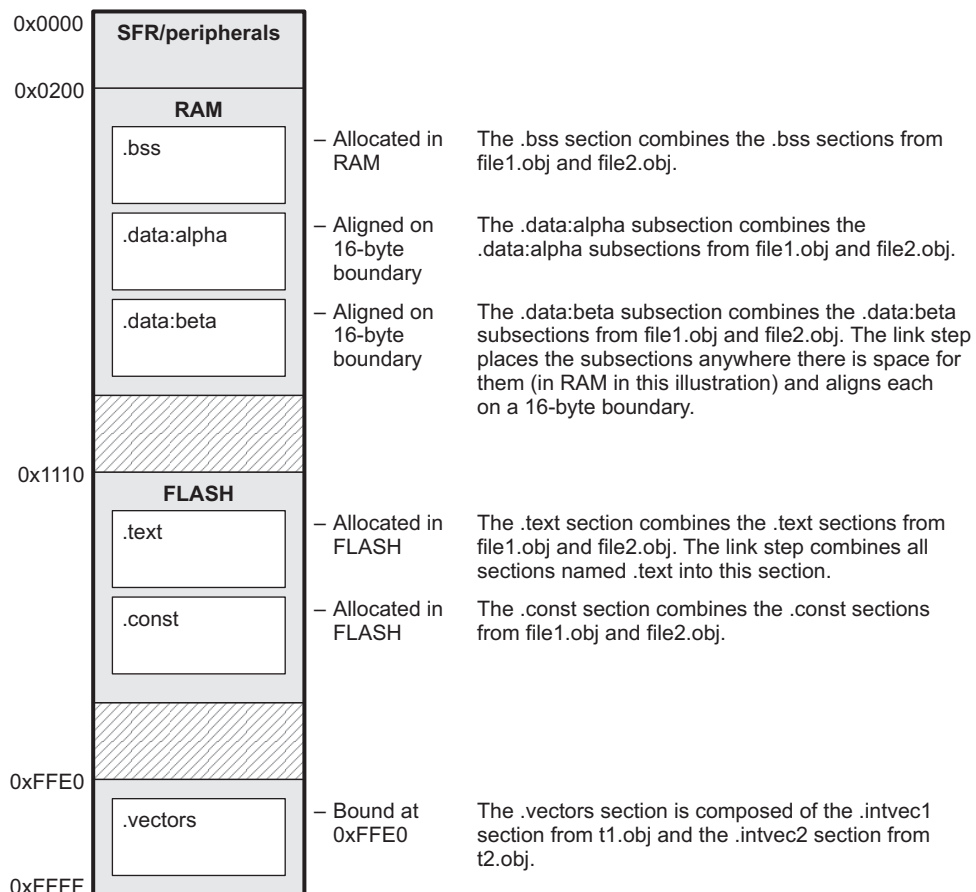
    .text     : load = FLASH
    .const    : load = FLASH

    .vectors  : load = 0xFFE0
    {
        t1.c.obj (.intvec1)
        t2.c.obj (.intvec2)
    }
    .data:alpha : align = 16
    .data:beta  : align = 16
}

```

Figure 8-2 shows the output sections defined by the SECTIONS directive in Example 8-5 (.vectors, .text, .const, .bss, .data:alpha, and .data:beta) and shows how these sections are allocated in memory using the MEMORY directive given in Example 8-3.

**Figure 8-2. Section Placement Defined by Example 8-5**



### 8.5.5.2 Section Allocation and Placement

The linker assigns each output section two locations in target memory: the location where the section will be loaded and the location where it will be run. Usually, these are the same, and you can think of each section as having only a single address. The process of locating the output section in the target's memory and assigning its address(es) is called placement. For more information about using separate load and run placement, see [Section 8.5.6](#).

If you do not tell the linker how a section is to be allocated, it uses a default algorithm to place the section. Generally, the linker puts sections wherever they fit into configured memory. You can override this default placement for a section by defining it within a `SECTIONS` directive and providing instructions on how to allocate it.

You control placement by specifying one or more allocation parameters. Each parameter consists of a keyword, an optional equal sign or greater-than sign, and a value optionally enclosed in parentheses. If load and run placement are separate, all parameters following the keyword `LOAD` apply to load placement, and those following the keyword `RUN` apply to run placement. The allocation parameters are:

<b>Binding</b>	allocates a section at a specific address. <code>.text: load = 0x1000</code>
<b>Named memory</b>	allocates the section into a range defined in the <code>MEMORY</code> directive with the specified name (like <code>SLOW_MEM</code> ) or attributes. <code>.text: load &gt; SLOW_MEM</code>
<b>Alignment</b>	uses the <code>align</code> or <code>palign</code> keyword to specify the section must start on an address boundary. <code>.text: align = 0x100</code>
<b>Blocking</b>	uses the <code>block</code> keyword to specify the section must fit between two address aligned to the blocking factor. If a section is too large, it starts on an address boundary. <code>.text: block(0x100)</code>

For the load (usually the only) allocation, use a greater-than sign and omit the load keyword:

```
.text: > SLOW_MEM
.text: {...} > SLOW_MEM
.text: > 0x4000
```

If more than one parameter is used, you can string them together as follows:

```
.text: > SLOW_MEM align 16
```

Or if you prefer, use parentheses for readability:

```
.text: load = (SLOW_MEM align(16))
```

You can also use an input section specification to identify the sections from input files that are combined to form an output section. See [Section 8.5.5.3](#).

Additional information about controlling the order in which code and data are placed in memory is provided in the [FAQ topic on section placement](#).

### 8.5.5.2.1 Example: Placing Functions in RAM

The `--ramfunc` compiler option and `ramfunc` function attribute allow the compiler to specify that a function is to be placed in and executed from RAM. Most newer TI linker command files support the `ramfunc` option and function attribute by placing such functions in the `.TI.ramfunc` section. If you see a linker error related to this section, you should add the `.TI.ramfunc` section to your `SECTIONS` directive as follows. In these examples, `RAM` and `FLASH` are names of MEMORY regions for RAM and Flash memory; the names may be different in your linker command file.

For RAM-based devices:

```
.TI.ramfunc : {} > RAM
```

For Flash-based devices:

```
.TI.ramfunc : {} load=FLASH, run=RAM, table(BINIT)
```

See the [Placing functions in RAM](#) wiki page for details.

### 8.5.5.2.2 Binding

You can set the starting address for an output section by following the section name with an address:

```
.text: 0x00001000
```

This example specifies that the `.text` section must begin at location `0x1000`. The binding address must be a 16-bit constant.

Output sections can be bound anywhere in configured memory (assuming there is enough space), but they cannot overlap. If there is not enough space to bind a section to a specified address, the linker issues an error message.

---

#### Binding is Incompatible With Alignment and Named Memory

**NOTE:** You cannot bind a section to an address if you use alignment or named memory. If you try to do this, the linker issues an error message.

---

### 8.5.5.2.3 Named Memory

You can allocate a section into a memory range that is defined by the MEMORY directive (see [Section 8.5.4](#)). This example names ranges and links sections into them:

```
MEMORY
{
    SLOW_MEM (RIX) : origin = 0x00000000, length = 0x00001000
    FAST_MEM (RWIX) : origin = 0x03000000, length = 0x00000300
}

SECTIONS
{
    .text : > SLOW_MEM
    .data : > FAST_MEM ALIGN(128)
    .bss : > FAST_MEM
}
```

In this example, the linker places `.text` into the area called `SLOW_MEM`. The `.data` and `.bss` output sections are allocated into `FAST_MEM`. You can align a section within a named memory range; the `.data` section is aligned on a 128-byte boundary within the `FAST_MEM` range.

Similarly, you can link a section into an area of memory that has particular attributes. To do this, specify a set of attributes (enclosed in parentheses) instead of a memory name. Using the same MEMORY directive declaration, you can specify:

```
SECTIONS
{
    .text: > (X) /* .text --> executable memory */
    .data: > (RI) /* .data --> read or init memory */
    .bss : > (RW) /* .bss --> read or write memory */
}
```

In this example, the `.text` output section can be linked into either the `SLOW_MEM` or `FAST_MEM` area because both areas have the X attribute. The `.data` section can also go into either `SLOW_MEM` or `FAST_MEM` because both areas have the R and I attributes. The `.bss` output section, however, must go into the `FAST_MEM` area because only `FAST_MEM` is declared with the W attribute.

You cannot control where in a named memory range a section is allocated, although the linker uses lower memory addresses first and avoids fragmentation when possible. In the preceding examples, assuming no conflicting assignments exist, the `.text` section starts at address 0. If a section must start on a specific address, use binding instead of named memory.

### 8.5.5.2.4 Controlling Placement Using The HIGH Location Specifier

The linker allocates output sections from low to high addresses within a designated memory range by default. Alternatively, you can cause the linker to allocate a section from high to low addresses within a memory range by using the HIGH location specifier in the SECTION directive declaration. You might use the HIGH location specifier in order to keep RTS code separate from application code, so that small changes in the application do not cause large changes to the memory map.

For example, given this MEMORY directive:

```
MEMORY
{
    RAM           : origin = 0x0200, length = 0x0800
    FLASH        : origin = 0x1100, length = 0xEEE0
    VECTORS      : origin = 0xFFE0, length = 0x001E
    RESET        : origin = 0xFFFE, length = 0x0002
}
```

and an accompanying SECTIONS directive:

```
SECTIONS
{
    .bss       : {} > RAM
    .system   : {} > RAM
    .stack    : {} > RAM (HIGH)
}
```

The HIGH specifier used on the .stack section placement causes the linker to attempt to allocate .stack into the higher addresses within the RAM memory range. The .bss and .system sections are allocated into the lower addresses within RAM. [Example 8-6](#) illustrates a portion of a map file that shows where the given sections are allocated within RAM for a typical program.

#### Example 8-6. Linker Placement With the HIGH Specifier

.bss	0	00000200	00000270	UNINITIALIZED	
		00000200	0000011a		rtsxxx.lib : defs.c.obj (.bss)
		0000031a	00000088		: trgdrv.c.obj (.bss)
		000003a2	00000078		: lowlev.c.obj (.bss)
		0000041a	00000046		: exit.c.obj (.bss)
		00000460	00000008		: memory.c.obj (.bss)
		00000468	00000004		: _lock.c.obj (.bss)
		0000046c	00000002		: fopen.c.obj (.bss)
		0000046e	00000002		hello.c.obj (.bss)
.system	0	00000470	00000120	UNINITIALIZED	
		00000470	00000004		rtsxxx.lib : memory.c.obj (.system)
.stack	0	000008c0	00000140	UNINITIALIZED	
		000008c0	00000002		rtsxxx.lib : boot.c.obj (.stack)

As shown in [Example 8-6](#), the .bss and .system sections are allocated at the lower addresses of RAM (0x0200 - 0x0590) and the .stack section is allocated at address 0x08c0, even though lower addresses are available.

Without using the HIGH specifier, the linker allocation would result in the code shown in [Example 8-7](#)

The HIGH specifier is ignored if it is used with specific address binding or automatic section splitting (> operator).

**Example 8-7. Linker Placement Without HIGH Specifier**

.bss	0	00000200	00000270	UNINITIALIZED	
		00000200	0000011a	rtsxxx.lib	: defs.c.obj (.bss)
		0000031a	00000088		: trgdrv.c.obj (.bss)
		000003a2	00000078		: lowlev.c.obj (.bss)
		0000041a	00000046		: exit.c.obj (.bss)
		00000460	00000008		: memory.c.obj (.bss)
		00000468	00000004		: _lock.c.obj (.bss)
		0000046c	00000002		: fopen.c.obj (.bss)
		0000046e	00000002	hello.c.obj	(.bss)
.stack	0	00000470	00000140	UNINITIALIZED	
		00000470	00000002	rtsxxx.lib	: boot.c.obj (.stack)
.systemem	0	000005b0	00000120	UNINITIALIZED	
		000005b0	00000004	rtsxxx.lib	: memory.c.obj (.systemem)

**8.5.5.2.5 Alignment and Blocking**

You can tell the linker to place an output section at an address that falls on an n-byte boundary, where n is a power of 2, by using the align keyword. For example, the following code allocates .text so that it falls on a 32-byte boundary:

```
.text: load = align(32)
```

Blocking is a weaker form of alignment that allocates a section anywhere *within* a block of size n. The specified block size must be a power of 2. For example, the following code allocates .bss so that the entire section is contained in a single 128-byte block or begins on that boundary:

```
bss: load = block(0x0080)
```

You can use alignment or blocking alone or in conjunction with a memory area, but alignment and blocking cannot be used together.

**8.5.5.2.6 Alignment With Padding**

As with align, you can tell the linker to place an output section at an address that falls on an n-byte boundary, where n is a power of 2, by using the palign keyword. In addition, palign ensures that the size of the section is a multiple of its placement alignment restrictions, padding the section size up to such a boundary, as needed.

For example, the following code lines allocate .text on a 2-byte boundary within the PMEM area. The .text section size is guaranteed to be a multiple of 2 bytes. Both statements are equivalent:

```
.text: palign(2) {} > PMEM
```

```
.text: palign = 2 {} > PMEM
```

If the linker adds padding to an initialized output section then the padding space is also initialized. By default, padding space is filled with a value of 0 (zero). However, if a fill value is specified for the output section then any padding for the section is also filled with that fill value. For example, consider the following section specification:

```
.mytext: palign(8), fill = 0xffff {} > PMEM
```

In this example, the length of the `.mytext` section is 6 bytes before the `palign` operator is applied. The contents of `.mytext` are as follows:

```
addr content
-----
0000 0x1234
0002 0x1234
0004 0x1234
```

After the `palign` operator is applied, the length of `.mytext` is 8 bytes, and its contents are as follows:

```
addr content
-----
0000 0x1234
0002 0x1234
0004 0x1234
0006 0xffff
```

The size of `.mytext` has been bumped to a multiple of 8 bytes and the padding created by the linker has been filled with `0xff`.

The fill value specified in the linker command file is interpreted as a 16-bit constant. If you specify this code:

```
.mytext: palign(8), fill = 0xff {} > PMEM
```

The fill value assumed by the linker is `0x00ff`, and `.mytext` will then have the following contents:

```
addr content
-----
0000 0x1234
0002 0x1234
0004 0x1234
0006 0x00ff
```

If the `palign` operator is applied to an uninitialized section, then the size of the section is bumped to the appropriate boundary, as needed, but any padding created is not initialized.

The `palign` operator can also take a parameter of *power2*. This parameter tells the linker to add padding to increase the section's size to the next power of two boundary. In addition, the section is aligned on that power of 2 as well. For example, consider the following section specification:

```
.mytext: palign(power2) {} > PMEM
```

Assume that the size of the `.mytext` section is 120 bytes and `PMEM` starts at address `0x10020`. After applying the `palign(power2)` operator, the `.mytext` output section will have the following properties:

name	addr	size	align
.mytext	0x00010080	0x80	128

### 8.5.5.3 Specifying Input Sections

An input section specification identifies the sections from input files that are combined to form an output section. In general, the linker combines input sections by concatenating them in the order in which they are specified. However, if alignment or blocking is specified for an input section, all of the input sections within the output section are ordered as follows:

- All aligned sections, from largest to smallest
- All blocked sections, from largest to smallest
- All other sections, from largest to smallest

The size of an output section is the sum of the sizes of the input sections that it comprises.

[Example 8-8](#) shows the most common type of section specification; note that no input sections are listed.

### Example 8-8. The Most Common Method of Specifying Section Contents

```
SECTIONS
{
  .text:
  .data:
  .bss:
}
```

In [Example 8-8](#), the linker takes all the `.text` sections from the input files and combines them into the `.text` output section. The linker concatenates the `.text` input sections in the order that it encounters them in the input files. The linker performs similar operations with the `.data` and `.bss` sections. You can use this type of specification for any output section.

You can explicitly specify the input sections that form an output section. Each input section is identified by its filename and section name. If the filename is hyphenated (or contains special characters), enclose it within quotes:

```
SECTIONS
{
  .text :          /* Build .text output section      */
  {
    f1.c.obj(.text) /* Link .text section from f1.c.obj      */
    f2.c.obj(sec1)  /* Link sec1 section from f2.c.obj      */
    "f3-new.c.obj" /* Link ALL sections from f3-new.c.obj */
    f4.c.obj(.text,sec2) /* Link .text and sec2 from f4.c.obj */
  }
}
```

It is not necessary for input sections to have the same name as each other or as the output section they become part of. If a file is listed with no sections, *all* of its sections are included in the output section. If any additional input sections have the same name as an output section but are not explicitly specified by the `SECTIONS` directive, they are automatically linked in at the end of the output section. For example, if the linker found more `.text` sections in the preceding example and these `.text` sections *were not* specified anywhere in the `SECTIONS` directive, the linker would concatenate these extra sections after `f4.c.obj(sec2)`.

The specifications in [Example 8-8](#) are actually a shorthand method for the following:

```
SECTIONS
{
  .text: { *(.text) }
  .data: { *(.data) }
  .bss:  { *(.bss) }
}
```

The specification `*(.text)` means *the unallocated .text sections from all input files*. This format is useful if:

- You want the output section to contain all input sections that have a specified name, but the output section name is different from the input sections' name.
- You want the linker to allocate the input sections before it processes additional input sections or commands within the braces.



The following example illustrates the two purposes above:

```
SECTIONS
{
    .text : {
        abc.c.obj(xqt)
        *(.text)
    }
    .data : {
        *(.data)
        fil.c.obj(table)
    }
}
```

In this example, the `.text` output section contains a named section `xqt` from file `abc.c.obj`, which is followed by all the `.text` input sections. The `.data` section contains all the `.data` input sections, followed by a named section `table` from the file `fil.c.obj`. This method includes all the unallocated sections. For example, if one of the `.text` input sections was already included in another output section when the linker encountered `*(.text)`, the linker could not include that first `.text` input section in the second output section.

Each input section acts as a prefix and gathers longer-named sections. For example, the pattern `*(.data)` matches `.dataspecial`. This mechanism enables the use of subsections, which are described in the following section.

#### 8.5.5.4 Using Multi-Level Subsections

Subsections can be identified with the base section name and one or more subsection names separated by colons. For example, `A:B` and `A:B:C` name subsections of the base section `A`. In certain places in a linker command file specifying a base name, such as `A`, selects the section `A` as well as any subsections of `A`, such as `A:B` or `A:C:D`.

A name such as `A:B` can specify a (sub)section of that name as well as any (multi-level) subsections beginning with that name, such as `A:B:C`, `A:B:OTHER`, etc. All subsections of `A:B` are also subsections of `A`. `A` and `A:B` are supersections of `A:B:C`. Among a group of supersections of a subsection, the nearest supersection is the supersection with the longest name. Thus, among `{A, A:B}` the nearest supersection of `A:B:C:D` is `A:B`. With multiple levels of subsections, the constraints are the following:

1. When specifying **input** sections within a file (or library unit) the section name selects an input section of the same name and any subsections of that name.
2. Input sections that are not explicitly allocated are allocated in an existing **output** section of the same name or in the nearest existing supersection of such an output section. An exception to this rule is that during a partial link (specified by the `--relocatable` linker option) a subsection is allocated only to an existing output section of the same name.
3. If no such output section described in 2) is defined, the input section is put in a **newly created output** section with the same name as the base name of the input section

Consider linking input sections with the following names:

europa:north:norway	europa:central:france	europa:south:spain
europa:north:sweden	europa:central:germany	europa:south:italy
europa:north:finland	europa:central:denmark	europa:south:malta
europa:north:iceland		

This `SECTIONS` specification allocates the input sections as indicated in the comments:

```
SECTIONS {
    nordic: {*(europa:north)
            *(europa:central:denmark)} /* the nordic countries */
    central: {*(europa:central)} /* france, germany */
    therest: {*(europa)} /* spain, italy, malta */
}
```

This SECTIONS specification allocates the input sections as indicated in the comments:

```
SECTIONS {
  islands: {*(europe:south:malta)
            *(europe:north:iceland)} /* malta, iceland */
  europe:north:finland : {}          /* finland      */
  europe:north          : {}          /* norway, sweden */
  europe:central        : {}          /* germany, denmark */
  europe:central:france: {}          /* france          */

  /* (italy, spain) go into a linker-generated output section "europe" */
}
```

---

#### Upward Compatibility of Multi-Level Subsections

**NOTE:** Existing linker commands that use the existing single-level subsection features and which do not contain section names containing multiple colon characters continue to behave as before. However, if section names in a linker command file or in the input sections supplied to the linker contain multiple colon characters, some change in behavior could be possible. You should carefully consider the impact of the rules for multiple levels to see if it affects a particular system link.

---

### 8.5.5.5 Specifying Library or Archive Members as Input to Output Sections

You can specify one or more members of an object library or archive for input to an output section. Consider this SECTIONS directive:

#### Example 8-9. Archive Members to Output Sections

```
SECTIONS
{
  boot    >      BOOT1
  {
    -l rtsXX.lib<boot.c.obj> (.text)
    -l rtsXX.lib<exit.c.obj> strcpy.c.obj> (.text)
  }

  .rts    >      BOOT2
  {
    -l rtsXX.lib (.text)
  }

  .text   >      RAM
  {
    * (.text)
  }
}
```

In [Example 8-9](#), the .text sections of boot.c.obj, exit.c.obj, and strcpy.c.obj are extracted from the run-time-support library and placed in the .boot output section. The remainder of the run-time-support library object that is referenced is allocated to the .rts output section. Finally, the remainder of all other .text sections are to be placed in section .text.

An archive member or a list of members is specified by surrounding the member name(s) with angle brackets < and > after the library name. Any object files separated by commas or spaces from the specified archive file are legal within the angle brackets.

The --library option (which normally implies a library path search be made for the named file following the option) listed before each library in [Example 8-9](#) is optional when listing specific archive members inside < >. Using < > implies that you are referring to a library.

To collect a set of the input sections from a library in one place, use the `--library` option within the `SECTIONS` directive. For example, the following collects all the `.text` sections from `rts430.lib` into the `.rtstest` section:

```
SECTIONS
{
    .rtstest { -l rts430.lib(.text) } > RAM
}
```

---

#### SECTIONS Directive Effect on `--priority`

**NOTE:** Specifying a library in a `SECTIONS` directive causes that library to be entered in the list of libraries that the linker searches to resolve references. If you use the `--priority` option, the first library specified in the command file will be searched first.

---

### 8.5.5.6 Allocation Using Multiple Memory Ranges

The linker allows you to specify an explicit list of memory ranges into which an output section can be allocated. Consider the following example:

```
MEMORY
{
    P_MEM1 : origin = 0x02000, length = 0x01000
    P_MEM2 : origin = 0x04000, length = 0x01000
    P_MEM3 : origin = 0x06000, length = 0x01000
    P_MEM4 : origin = 0x08000, length = 0x01000
}
SECTIONS
{
    .text : { } > P_MEM1 | P_MEM2 | P_MEM4
}
```

The `|` operator is used to specify the multiple memory ranges. The `.text` output section is allocated as a whole into the first memory range in which it fits. The memory ranges are accessed in the order specified. In this example, the linker first tries to allocate the section in `P_MEM1`. If that attempt fails, the linker tries to place the section into `P_MEM2`, and so on. If the output section is not successfully allocated in any of the named memory ranges, the linker issues an error message.

With this type of `SECTIONS` directive specification, the linker can seamlessly handle an output section that grows beyond the available space of the memory range in which it is originally allocated. Instead of modifying the linker command file, you can let the linker move the section into one of the other areas.

### 8.5.5.7 Automatic Splitting of Output Sections Among Non-Contiguous Memory Ranges

The linker can split output sections among multiple memory ranges for efficient allocation. Use the `>>` operator to indicate that an output section can be split, if necessary, into the specified memory ranges:

```
MEMORY
{
    P_MEM1 : origin = 0x2000, length = 0x1000
    P_MEM2 : origin = 0x4000, length = 0x1000
    P_MEM3 : origin = 0x6000, length = 0x1000
    P_MEM4 : origin = 0x8000, length = 0x1000
}
SECTIONS
{
    .text: { *(.text) } >> P_MEM1 | P_MEM2 | P_MEM3 | P_MEM4
}
```

In this example, the `>>` operator indicates that the `.text` output section can be split among any of the listed memory areas. If the `.text` section grows beyond the available memory in `P_MEM1`, it is split on an input section boundary, and the remainder of the output section is allocated to `P_MEM2 | P_MEM3 | P_MEM4`.

The `|` operator is used to specify the list of multiple memory ranges.

You can also use the >> operator to indicate that an output section can be split within a single memory range. This functionality is useful when several output sections must be allocated into the same memory range, but the restrictions of one output section cause the memory range to be partitioned. Consider the following example:

```
MEMORY
{
  RAM : origin = 0x1000, length = 0x8000
}

SECTIONS
{
  .special: { f1.c.obj(.text) } load = 0x4000
  .text: { *(.text) } >> RAM
}
```

The .special output section is allocated near the middle of the RAM memory range. This leaves two unused areas in RAM: from 0x1000 to 0x4000, and from the end of f1.c.obj(.text) to 0x8000. The specification for the .text section allows the linker to split the .text section around the .special section and use the available space in RAM on either side of .special.

The >> operator can also be used to split an output section among all memory ranges that match a specified attribute combination. For example:

```
MEMORY
{
  P_MEM1 (RWX) : origin = 0x1000, length = 0x2000
  P_MEM2 (RWI) : origin = 0x4000, length = 0x1000
}

SECTIONS
{
  .text: { *(.text) } >> (RW)
}
```

The linker attempts to allocate all or part of the output section into any memory range whose attributes match the attributes specified in the SECTIONS directive.

This SECTIONS directive has the same effect as:

```
SECTIONS
{
  .text: { *(.text) } >> P_MEM1 | P_MEM2
}
```

Certain sections should not be split:

- Certain sections created by the compiler, including
  - The .cinit section, which contains the autoinitialization table for C/C++ programs
  - The .pinit section, which contains the list of global constructors for C++ programs
- An output section with an input section specification that includes an expression to be evaluated. The expression may define a symbol that is used in the program to manage the output section at run time.
- An output section that has a START(), END(), OR SIZE() operator applied to it. These operators provide information about a section's load or run address, and size. Splitting the section may compromise the integrity of the operation.
- The run allocation of a UNION. (Splitting the load allocation of a UNION is allowed.)

If you use the >> operator on any of these sections, the linker issues a warning and ignores the operator.

## 8.5.6 Placing a Section at Different Load and Run Addresses

At times, you may want to load code into one area of memory and run it in another. For example, you may have performance-critical code in slow external memory. The code must be loaded into slow external memory, but it would run faster in fast external memory.

The linker provides a simple way to accomplish this. You can use the `SECTIONS` directive to direct the linker to allocate a section twice: once to set its load address and again to set its run address. For example:

```
.fir: load = SLOW_MEM, run = FAST_MEM
```

Use the `load` keyword for the load address and the `run` keyword for the run address.

See [Section 3.5](#) for an overview on run-time relocation.

The application must copy the section from its load address to its run address; this does *not* happen automatically when you specify a separate run address. (The `TABLE` operator instructs the linker to produce a copy table; see [Section 8.8.4.1](#).)

### 8.5.6.1 Specifying Load and Run Addresses

The load address determines where a loader places the raw data for the section. Any references to the section (such as labels in it) refer to its run address. See [Section 3.1.1](#) for an overview of load and run addresses.

If you provide only one allocation (either load or run) for a section, the section is allocated only once and loads and runs at the same address. If you provide both allocations, the section is allocated as if it were two sections of the same size. This means that both allocations occupy space in the memory map and cannot overlay each other or other sections. (The `UNION` directive provides a way to overlay sections; see [Section 8.5.7.2](#).)

If either the load or run address has additional parameters, such as alignment or blocking, list them after the appropriate keyword. Everything related to allocation after the keyword `load` affects the load address until the keyword `run` is seen, after which, everything affects the run address. The load and run allocations are completely independent, so any qualification of one (such as alignment) has no effect on the other. You can also specify run first, then load. Use parentheses to improve readability.

The examples that follow specify load and run addresses.

In this example, `align` applies only to load:

```
.data: load = SLOW_MEM, align = 32, run = FAST_MEM
```

The following example uses parentheses, but has effects that are identical to the previous example:

```
.data: load = (SLOW_MEM align 32), run = FAST_MEM
```

The following example aligns `FAST_MEM` to 32 bits for run allocations and aligns all load allocations to 16 bits:

```
.data: run = FAST_MEM, align 32, load = align 16
```

For more information on run-time relocation see [Section 3.5](#).

Uninitialized sections (such as `.bss`) are not loaded, so their only significant address is the run address. The linker allocates uninitialized sections only once: if you specify both run and load addresses, the linker warns you and ignores the load address. Otherwise, if you specify only one address, the linker treats it as a run address, regardless of whether you call it load or run.

This example specifies load and run addresses for an uninitialized section:

```
.bss: load = 0x1000, run = FAST_MEM
```

A warning is issued, load is ignored, and space is allocated in `FAST_MEM`. All of the following examples have the same effect. The `.bss` section is allocated in `FAST_MEM`.

```
.dbss: load = FAST_MEM
.bss: run = FAST_MEM
.bss: > FAST_MEM
```

### 8.5.6.2 Referring to the Load Address by Using the .label Directive

Normally, any reference to a symbol refers to its run-time address. However, it may be necessary at run time to refer to a load-time address. Specifically, the code that copies a section from its load address to its run address must have access to the load address. The .label directive defines a special symbol that refers to the section's load address. Thus, whereas normal symbols are relocated with respect to the run address, .label symbols are relocated with respect to the load address. See [Create a Load-Time Address Label](#) for more information on the .label directive.

[Example 8-10](#) and [Example 8-11](#) show the use of the .label directive to copy a section from its load address in EXT\_MEM to its run address in P\_MEM. [Figure 8-3](#) illustrates the run-time execution of [Example 8-10](#).

If you use the table operator, the .label directive is not needed. See [Section 8.8.4.1](#).

#### Example 8-10. Moving a Function from Slow to Fast Memory at Run Time

```
* Define a section to be copied from load to run address
.sect ".fir"
.label fir_src
fir:
*   < code here>           ;code for section

    .label fir_end

* Copy .fir section from load address to run address
.text

    MOV    &fir_s,R11
    MOV    &fir_e,R12
    MOV    #fir,R13
LOOP:  CMP    R11,R12
        JL    Copy_Done
        MOV    @R11+,0(R13)
        INC    R13
        JMP    LOOP
Copy_Done:

* Jump to fir routine, now at run address

    JMP    fir

fir_s   .word  fir_src
fir_e   .word  fir_end
```

#### Example 8-11. Linker Command File for Example 8-10

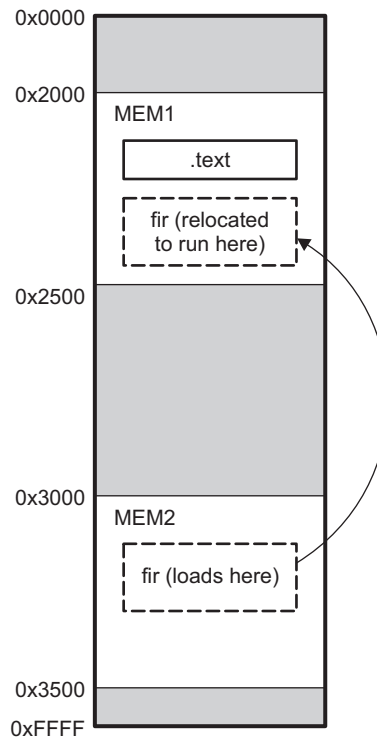
```
/*****
/*   PARTIAL LINKER COMMAND FILE FOR FIR EXAMPLE   */
*****/

MEMORY
{
    MEM1: origin = 0x2000, length 0x0500
    MEM2: origin = 0x3000, length 0x0500
}

SECTIONS
{
    .text: load = MEM1
    .fir:  load = MEM2, run = MEM1
}

```

Figure 8-3. Run-Time Execution of Example 8-10



See Section 8.6.1 for information about referring to linker symbols in C/C++ code.

### 8.5.7 Using GROUP and UNION Statements

Two SECTIONS statements allow you to organize or conserve memory: GROUP and UNION. Grouping sections causes the linker to allocate them contiguously in memory. Unioning sections causes the linker to allocate them to the same run address.

#### 8.5.7.1 Grouping Output Sections Together

The SECTIONS directive's GROUP option forces several output sections to be allocated contiguously and in the order listed, unless the UNORDERED operator is used. For example, assume that a section named `term_rec` contains a termination record for a table in the `.data` section. You can force the linker to allocate `.data` and `term_rec` together:

#### Example 8-12. Allocate Sections Together

```
SECTIONS
{
    .text          /* Normal output section          */
    .bss          /* Normal output section          */
    GROUP 0x00001000 : /* Specify a group of sections    */
    {
        .data      /* First section in the group      */
        term_rec  /* Allocated immediately after .data */
    }
}
```

You can use binding, alignment, or named memory to allocate a GROUP in the same manner as a single output section. In the preceding example, the GROUP is bound to address 0x1000. This means that `.data` is allocated at 0x1000, and `term_rec` follows it in memory.

### You Cannot Specify Addresses for Sections Within a GROUP

**NOTE:** When you use the GROUP option, binding, alignment, or allocation into named memory can be specified for the group only. You cannot use binding, named memory, or alignment for sections within a group.

#### 8.5.7.2 Overlaying Sections With the UNION Statement

For some applications, you may want to allocate more than one section that occupies the same address during run time. For example, you may have several routines you want in fast external memory at different stages of execution. Or you may want several data objects that are not active at the same time to share a block of memory. The UNION statement within the SECTIONS directive provides a way to allocate several sections at the same run-time address.

In [Example 8-13](#), the .bss sections from file1.c.obj and file2.c.obj are allocated at the same address in FAST\_MEM. In the memory map, the union occupies as much space as its largest component. The components of a union remain independent sections; they are simply allocated together as a unit.

#### Example 8-13. The UNION Statement

```
SECTIONS
{
  .text: load = SLOW_MEM
  UNION: run = FAST_MEM
  {
    .bss:part1: { file1.c.obj(.bss) }
    .bss:part2: { file2.c.obj(.bss) }
  }
  .bss:part3: run = FAST_MEM { globals.c.obj(.bss) }
}
```

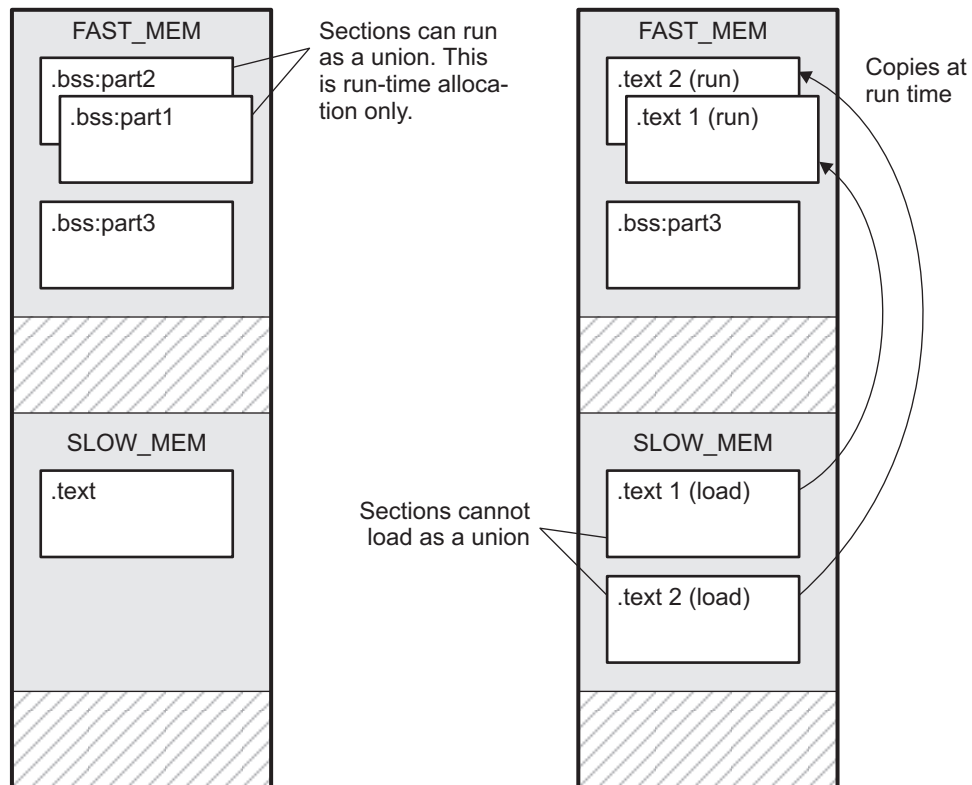
Allocation of a section as part of a union affects only its *run* address. Under no circumstances can sections be overlaid for loading. If an initialized section is a union member (an initialized section, such as .text, has raw data), its load allocation *must* be separately specified. See [Example 8-14](#). (There is an exception to this rule when combining an initialized section with uninitialized sections; see [Section 8.5.7.3](#).)

#### Example 8-14. Separate Load Addresses for UNION Sections

```
UNION run = FAST_MEM
{
  .text:part1: load = SLOW_MEM, { file1.c.obj(.text) }
  .text:part2: load = SLOW_MEM, { file2.c.obj(.text) }
}
```



Figure 8-4. Memory Allocation Shown in Example 8-13 and Example 8-14



Since the .text sections contain raw data, they cannot *load* as a union, although they can be *run* as a union. Therefore, each requires its own load address. If you fail to provide a load allocation for an initialized section within a UNION, the linker issues a warning and allocates load space anywhere it can in configured memory.

Uninitialized sections are not loaded and do not require load addresses.

The UNION statement applies only to allocation of run addresses, so it is meaningless to specify a load address for the union itself. For purposes of allocation, the union is treated as an uninitialized section: any one allocation specified is considered a run address, and if both run and load addresses are specified, the linker issues a warning and ignores the load address.

### 8.5.7.3 Using Memory for Multiple Purposes

One way to reduce an application's memory requirement is to use the same range of memory for multiple purposes. You can first use a range of memory for system initialization and startup. Once that phase is complete, the same memory can be repurposed as a collection of uninitialized data variables or a heap. To implement this scheme, use the following variation of the UNION statement to allow one section to be initialized and the remaining sections to be uninitialized.

Generally, an initialized section (one with raw data, such as .text) in a union must have its load allocation specified separately. However, one and only one initialized section in a union can be allocated at the union's run address. By listing it in the UNION statement with no load allocation at all, it will use the union's run address as its own load address.

For example:

```
UNION run = FAST_MEM
{ .cinit .bss }
```

In this example, the .cinit section is an initialized section. It will be loaded into FAST\_MEM at the run address of the union. In contrast, .bss is an uninitialized section. Its run address will also be that of the union.

### 8.5.7.4 Nesting UNIONS and GROUPS

The linker allows arbitrary nesting of GROUP and UNION statements with the SECTIONS directive. By nesting GROUP and UNION statements, you can express hierarchical overlays and groupings of sections. [Example 8-15](#) shows how two overlays can be grouped together.

#### Example 8-15. Nesting GROUP and UNION Statements

```
SECTIONS
{
  GROUP 0x1000 : run = FAST_MEM
  {
    UNION:
    {
      mysect1: load = SLOW_MEM
      mysect2: load = SLOW_MEM
    }
    UNION:
    {
      mysect3: load = SLOW_MEM
      mysect4: load = SLOW_MEM
    }
  }
}
```

For this example, the linker performs the following allocations:

- The four sections (mysect1, mysect2, mysect3, mysect4) are assigned unique, non-overlapping load addresses. The name you defined with the .label directive is used in the SLOW\_MEM memory region. This assignment is determined by the particular load allocations given for each section.
- Sections mysect1 and mysect2 are assigned the same run address in FAST\_MEM.
- Sections mysect3 and mysect4 are assigned the same run address in FAST\_MEM.
- The run addresses of mysect1/mysect2 and mysect3/mysect4 are allocated contiguously, as directed by the GROUP statement (subject to alignment and blocking restrictions).

To refer to groups and unions, linker diagnostic messages use the notation:

GROUP\_*n* UNION\_*n*

where *n* is a sequential number (beginning at 1) that represents the lexical ordering of the group or union in the linker control file without regard to nesting. Groups and unions each have their own counter.

### 8.5.7.5 Checking the Consistency of Allocators

The linker checks the consistency of load and run allocations specified for unions, groups, and sections. The following rules are used:

- Run allocations are only allowed for top-level sections, groups, or unions (sections, groups, or unions that are not nested under any other groups or unions). The linker uses the run address of the top-level structure to compute the run addresses of the components within groups and unions.
- The linker does not accept a load allocation for UNIONS.
- The linker does not accept a load allocation for uninitialized sections.
- In most cases, you must provide a load allocation for an initialized section. However, the linker does not accept a load allocation for an initialized section that is located within a group that already defines a load allocator.
- As a shortcut, you can specify a load allocation for an entire group, to determine the load allocations for every initialized section or subgroup nested within the group. However, a load allocation is accepted for an entire group only if all of the following conditions are true:
  - The group is initialized (that is, it has at least one initialized member).
  - The group is not nested inside another group that has a load allocator.
  - The group does not contain a union containing initialized sections.
- If the group contains a union with initialized sections, it is necessary to specify the load allocation for each initialized section nested within the group. Consider the following example:

```
SECTIONS
{
  GROUP: load = SLOW_MEM, run = SLOW_MEM
  {
    .text1:
    UNION:
    {
      .text2:
      .text3:
    }
  }
}
```

The load allocator given for the group does not uniquely specify the load allocation for the elements within the union: `.text2` and `.text3`. In this case, the linker issues a diagnostic message to request that these load allocations be specified explicitly.

### 8.5.7.6 Naming UNIONS and GROUPS

You can give a name to a UNION or GROUP by entering the name in parentheses after the declaration. For example:

```
GROUP(BSS_SYSMEM_STACK_GROUP)
{
  .bss :{}
  .sysmem :{}
  .stack :{}
} load=D_MEM, run=D_MEM
```

The name you defined is used in diagnostics for easy identification of the problem LCF area. For example:

```
warning: LOAD placement ignored for "BSS_SYSMEM_STACK_GROUP": object is uninitialized
```

```
UNION(TEXT_CINIT_UNION)
{
  .const :{}load=D_MEM, table(table1)
  .pinit :{}load=D_MEM, table(table1)
}run=P_MEM
```

```
warning:table(table1) operator ignored: table(table1) has already been applied to a section
in the "UNION(TEXT_CINIT_UNION)" in which ".pinit" is a descendant
```

### 8.5.8 Special Section Types (DSECT, COPY, NOLOAD, NOINIT, and VECT\_INIT)

You can assign the following special types to output sections: DSECT, COPY, NOLOAD, NOINIT, and VECT\_INIT. These types affect the way that the program is treated when it is linked and loaded. You can assign a type to a section by placing the type after the section definition. For example:

```
SECTIONS
{
  sec1: load = 0x00002000, type = DSECT  {f1.c.obj}
  sec2: load = 0x00004000, type = COPY   {f2.c.obj}
  sec3: load = 0x00006000, type = NOLOAD {f3.c.obj}
  sec4: load = 0x00008000, type = NOINIT {f4.c.obj}
  TIMER0_A1 : { * ( .int53 ) } > INT53 type = VECT_INIT
}
```

- The DSECT type creates a dummy section with the following characteristics:
  - It is not included in the output section memory allocation. It takes up no memory and is not included in the memory map listing.
  - It can overlay other output sections, other DSECTs, and unconfigured memory.
  - Global symbols defined in a dummy section are relocated normally. They appear in the output module's symbol table with the same value they would have if the DSECT had actually been loaded. These symbols can be referenced by other input sections.
  - Undefined external symbols found in a DSECT cause specified archive libraries to be searched.
  - The section's contents, relocation information, and line number information are not placed in the output module.

In the preceding example, none of the sections from f1.c.obj are allocated, but all the symbols are relocated as though the sections were linked at address 0x2000. The other sections can refer to any of the global symbols in sec1.

- A COPY section is similar to a DSECT section, except that its contents and associated information are written to the output module. The .cinit section that contains initialization tables for the MSP430 C/C++ compiler has this attribute under the run-time initialization model.
- A NOLOAD section differs from a normal output section in one respect: the section's contents, relocation information, and line number information are not placed in the output module. The linker allocates space for the section, and it appears in the memory map listing.
- A NOINIT section is not C auto-initialized by the linker. It is your responsibility to initialize this section as needed.
- A VECT\_INIT section type directs the linker to emit a warning if a particular device interrupt was not initialized using the vector pragma for an interrupt sub-routine (ISR) (see the *Optimizing C/C++ Compiler User's Guide* for details on the vector pragma and interrupt keyword). However, a default vector handler is now provided by the run-time support (RTS) library, so you should not see this error if you are linking with the provided RTS library. The following output section entry will generate a linker warning if the device interrupt TIMER0\_A1 does not have an associated ISR and is not using the default ISR:
  - TIMER0\_A1 : { \* ( .int53 ) } > INT53 type = VECT\_INIT

### 8.5.9 Configuring Error Correcting Code (ECC) with the Linker

Error Correcting Codes (ECC) can be generated and placed in separate sections through the linker command file. ECC uses extra bits to allow errors to be detected and/or corrected by a device. To enable ECC generation, you must include `--ecc=on` as a linker option on the command line. By default ECC generation is off, even if the ECC directive and ECC specifiers are used in the linker command file. This allows you to fully configure ECC in the linker command file while still being able to quickly turn the code generation on and off via the command line.

The ECC support provided by the linker is compatible with the ECC support in TI Flash memory on various TI devices. TI Flash memory uses a modified Hamming(72,64) code, which uses 8 parity bits for every 64 bits. Check the documentation for your Flash memory to see if ECC is supported. (ECC for read-write memory is handled completely in hardware at run time.)

You can control the details of ECC generation using the ECC specifier in the memory map ([Section 8.5.9.1](#)) and the ECC directive ([Section 8.5.9.2](#)).

See [Section 8.4.10](#) for command-line options that introduce bit errors into code that has a corresponding ECC section or into the ECC parity bits themselves. Use these options to test ECC error handling code.

ECC can be generated during linking. The ECC data is included in the resulting object file, alongside code and data, as a data section located at the appropriate address. No extra ECC generation step is required after compilation, and the ECC can be uploaded to the device along with everything else.

### 8.5.9.1 Using the ECC Specifier in the Memory Map

To generate ECC, add a separate memory range to your memory map to hold ECC data and to indicate which memory range contains the Flash data that corresponds to this ECC data. If you have multiple memory ranges for Flash data, you should add a separate ECC memory range for each Flash data range.

The definition of an ECC memory range can also provide parameters for how to generate the ECC data.

The memory map for a device supporting Flash ECC may look something like this:

```
MEMORY {
    VECTORS    : origin=0x00000000 length=0x000020
    FLASH0    : origin=0x00000020 length=0x17FFE0
    FLASH1    : origin=0x00180000 length=0x180000
    STACKS    : origin=0x08000000 length=0x000500
    RAM       : origin=0x08000500 length=0x03FB00
    ECC_VEC   : origin=0xf0400000 length=0x000004 ECC={ input_range=VECTORS }
    ECC_FLA0  : origin=0xf0400004 length=0x02FFFC ECC={ input_range=FLASH0 }
    ECC_FLA1  : origin=0xf0430000 length=0x030000 ECC={ input_range=FLASH1 }
}
```

The specification syntax for ECC memory ranges is as follows:

```
MEMORY {
    <memory specifier1> : <memory attributes> [ vfill=<fill value> ]
    <memory specifier2> : <memory attributes> ECC = {
        input_range = <memory specifier1>
        [ algorithm = <algorithm name> ]
        [ fill = [ true, false ] ]
    }
}
```

The "ECC" specifier attached to the ECC memory ranges indicates the data memory range that the ECC range covers. The ECC specifier supports the following parameters:

<code>input_range = &lt;range&gt;</code>	The data memory range covered by this ECC data range. Required.
<code>algorithm = &lt;ECC alg name&gt;</code>	The name of an ECC algorithm defined later in the command file using the ECC directive. Optional if only one algorithm is defined. (See <a href="#">Section 8.5.9.2</a> .)
<code>fill = true   false</code>	Whether to generate ECC data for holes in the initialized data of the input range. The default is "true". Using <code>fill=false</code> produces behavior similar to the <code>nowECC</code> tool. The input range can be filled normally or using a virtual fill (see <a href="#">Section 8.5.9.3</a> ).

### 8.5.9.2 Using the ECC Directive

In addition to specifying ECC memory ranges in the memory map, the linker command file must specify parameters for the algorithm that generates ECC data. You might need multiple ECC algorithm specifications if you have multiple Flash devices.

Each TI device supporting Flash ECC has exactly one set of valid values for these parameters. The linker command files provided with Code Composer Studio include the ECC parameters necessary for ECC support on the Flash memory accessible by the device. Documentation is provided here for completeness.

You specify algorithm parameters with the top-level ECC directive in the linker command file. The specification syntax is as follows:

```
ECC {
    <algorithm name> : parity_mask = <8-bit integer>
                    mirroring   = [ F021, F035 ]
                    address_mask = <32-bit mask>
}
```

For example:

```
MEMORY {
    FLASH0 : origin=0x00000020 length=0x17FFE0
    ECC_FL A0 : origin=0xf0400004 length=0x02FFFC ECC={ input_range=FLASH0 algorithm=F021 }
}

ECC { F021 : parity_mask = 0xfc
        mirroring = F021 }
```

This ECC directive accepts the following attributes:

<i>algorithm_name</i>	Specify the name you would like to use for referencing the algorithm.
<i>address_mask = &lt;32-bit mask&gt;</i>	This mask determines which bits of the address of each 64-bit piece of memory are used in the calculation of the ECC byte for that memory. Default is 0xffffffff, so that all bits of the address are used. (Note that the ECC algorithm itself ignores the lowest bits, which are always zero for a correctly-aligned input block.)
<i>parity_mask = &lt;8-bit mask&gt;</i>	This mask determines which ECC bits encode even parity and which bits encode odd parity. Default is 0, meaning that all bits encode even parity.
<i>mirroring = F021   F035</i>	This setting determines the order of the ECC bytes and their duplication pattern for redundancy. Default is F021.

### 8.5.9.3 Using the VFILL Specifier in the Memory Map

Normally, specifying a fill value for a MEMORY range creates initialized data sections to cover any previously uninitialized areas of memory. To generate ECC data for an entire memory range, the linker either needs to have initialized data in the entire range, or needs to know what value uninitialized memory areas will have at run time.

In cases where you want to generate ECC for an entire memory range, but do not want to initialize the entire range by specifying a fill value, you can use the "vfill" specifier instead of a "fill" specifier to virtually fill the range:

```
MEMORY {
    FLASH : origin=0x0000 length=0x4000 vfill=0xffffffff
}
```

The vfill specifier is functionally equivalent to omitting a fill specifier, except that it allows ECC data to be generated for areas of the input memory range that remain uninitialized. This has the benefit of reducing the size of the resulting object file.

The vfill specifier has no effect other than in ECC data generation. It cannot be specified along with a fill specifier, since that would introduce ambiguity.

If fill is specified in the ECC specifier, but vfill is not specified, vfill defaults to 0xff.

## 8.5.10 Assigning Symbols at Link Time

Linker assignment statements allow you to define external (global) symbols and assign values to them at link time. You can use this feature to initialize a variable or pointer to an allocation-dependent value. See [Section 8.6.1](#) for information about referring to linker symbols in C/C++ code.

### 8.5.10.1 Syntax of Assignment Statements

The syntax of assignment statements in the linker is similar to that of assignment statements in the C language:

<i>symbol</i>	=	<i>expression</i> ;	assigns the value of expression to symbol
<i>symbol</i>	+=	<i>expression</i> ;	adds the value of expression to symbol
<i>symbol</i>	-=	<i>expression</i> ;	subtracts the value of expression from symbol
<i>symbol</i>	*=	<i>expression</i> ;	multiplies symbol by expression
<i>symbol</i>	/=	<i>expression</i> ;	divides symbol by expression

The symbol should be defined externally. If it is not, the linker defines a new symbol and enters it into the symbol table. The expression must follow the rules defined in [Section 8.5.10.3](#). Assignment statements *must* terminate with a semicolon.

The linker processes assignment statements *after* it allocates all the output sections. Therefore, if an expression contains a symbol, the address used for that symbol reflects the symbol's address in the executable output file.

For example, suppose a program reads data from one of two tables identified by two external symbols, Table1 and Table2. The program uses the symbol `cur_tab` as the address of the current table. The `cur_tab` symbol must point to either Table1 or Table2. You could accomplish this in the assembly code, but you would need to reassemble the program to change tables. Instead, you can use a linker assignment statement to assign `cur_tab` at link time:

```
prog.c.obj          /* Input file                               */
cur_tab = Table1; /* Assign cur_tab to one of the tables */
```

### 8.5.10.2 Assigning the SPC to a Symbol

A special symbol, denoted by a dot (`.`), represents the current value of the section program counter (SPC) during allocation. The SPC keeps track of the current location within a section. The linker's `.` symbol is analogous to the assembler's `$` symbol. The `.` symbol can be used only in assignment statements within a `SECTIONS` directive because `.` is meaningful only during allocation and `SECTIONS` controls the allocation process. (See [Section 8.5.5](#).)

The `.` symbol refers to the current run address, not the current load address, of the section.

For example, suppose a program needs to know the address of the beginning of the `.data` section. By using the `.global` directive (see [Identify Global Symbols](#)), you can create an external undefined variable called `Dstart` in the program. Then, assign the value of `.` to `Dstart`:

```
SECTIONS
{
    .text:    {}
    .data:    {Dstart = .;}
    .bss :    {}
}
```

This defines `Dstart` to be the first linked address of the `.data` section. (`Dstart` is assigned *before* `.data` is allocated.) The linker relocates all references to `Dstart`.

A special type of assignment assigns a value to the `.` symbol. This adjusts the SPC within an output section and creates a hole between two input sections. Any value assigned to `.` to create a hole is relative to the beginning of the section, not to the address actually represented by the `.` symbol. Holes and assignments to `.` are described in [Section 8.5.11](#).

### 8.5.10.3 Assignment Expressions

These rules apply to linker expressions:

- Expressions can contain global symbols, constants, and the C language operators listed in [Table 8-11](#).
- All numbers are treated as long (32-bit) integers.
- Constants are identified by the linker in the same way as by the assembler. That is, numbers are recognized as decimal unless they have a suffix (H or h for hexadecimal and Q or q for octal). C language prefixes are also recognized (0 for octal and 0x for hex). Hexadecimal constants must begin with a digit. No binary constants are allowed.
- Symbols within an expression have only the value of the symbol's *address*. No type-checking is performed.
- Linker expressions can be absolute or relocatable. If an expression contains *any* relocatable symbols (and 0 or more constants or absolute symbols), it is relocatable. Otherwise, the expression is absolute. If a symbol is assigned the value of a relocatable expression, it is relocatable; if it is assigned the value of an absolute expression, it is absolute.

The linker supports the C language operators listed in [Table 8-11](#) in order of precedence. Operators in the same group have the same precedence. Besides the operators listed in [Table 8-11](#), the linker also has an align operator that allows a symbol to be aligned on an n-byte boundary within an output section (n is a power of 2). For example, the following expression aligns the SPC within the current section on the next 16-byte boundary. Because the align operator is a function of the current SPC, it can be used only in the same context as `.`—that is, within a SECTIONS directive.

```
. = align(16);
```

**Table 8-11. Groups of Operators Used in Expressions (Precedence)**

Group 1 (Highest Precedence)		Group 6	
!	Logical NOT	&	Bitwise AND
~	Bitwise NOT		
-	Negation		
Group 2		Group 7	
*	Multiplication		Bitwise OR
/	Division		
%	Modulus		
Group 3		Group 8	
+	Addition	&&	Logical AND
-	Subtraction		
Group 4		Group 9	
>>	Arithmetic right shift		Logical OR
<<	Arithmetic left shift		
Group 5		Group 10 (Lowest Precedence)	
==	Equal to	=	Assignment
!=	Not equal to	+=	A += B is equivalent to A = A + B
>	Greater than	-=	A -= B is equivalent to A = A - B
<	Less than	*=	A *= B is equivalent to A = A * B
<=	Less than or equal to	/=	A /= B is equivalent to A = A / B
>=	Greater than or equal to		



#### 8.5.10.4 Symbols Automatically Defined by the Linker

The linker automatically defines the following symbols for C/C++ support when the `--ram_model` or `--rom_model` option is used.

<code>__TI_STACK_SIZE</code>	is assigned the size of the <code>.stack</code> section.
<code>__TI_STACK_END</code>	is assigned the end of the <code>.stack</code> section.
<code>__TI_SYSTEMEM_SIZE</code>	is assigned the size of the <code>.systemem</code> section.

These linker-defined symbols can be accessed in any assembly language module if they are declared with a `.global` directive (see [Identify Global Symbols](#)).

See [Section 8.6.1](#) for information about referring to linker symbols in C/C++ code.

#### 8.5.10.5 Assigning Exact Start, End, and Size Values of a Section to a Symbol

The code generation tools currently support the ability to load program code in one area of (slow) memory and run it in another (faster) area. This is done by specifying separate load and run addresses for an output section or group in the linker command file. Then execute a sequence of instructions (the copying code in [Example 8-10](#)) that moves the program code from its load area to its run area before it is needed.

There are several responsibilities that a programmer must take on when setting up a system with this feature. One of these responsibilities is to determine the size and run-time address of the program code to be moved. The current mechanisms to do this involve use of the `.label` directives in the copying code. A simple example is illustrated in [Example 8-10](#).

This method of specifying the size and load address of the program code has limitations. While it works fine for an individual input section that is contained entirely within one source file, this method becomes more complicated if the program code is spread over several source files or if the programmer wants to copy an entire output section from load space to run space.

### 8.5.10.6 Why the Dot Operator Does Not Always Work

The dot operator (.) is used to define symbols at link-time with a particular address inside of an output section. It is interpreted like a PC. Whatever the current offset within the current section is, that is the value associated with the dot. Consider an output section specification within a SECTIONS directive:

```
outsect:
{
    s1.c.obj(.text)
    end_of_s1 = .;
    start_of_s2 = .;
    s2.c.obj(.text)
    end_of_s2 = .;
}
```

This statement creates three symbols:

- end\_of\_s1—the end address of .text in s1.c.obj
- start\_of\_s2—the start address of .text in s2.c.obj
- end\_of\_s2—the end address of .text in s2.c.obj

Suppose there is padding between s1.c.obj and s2.c.obj created as a result of alignment. Then start\_of\_s2 is not really the start address of the .text section in s2.c.obj, but it is the address before the padding needed to align the .text section in s2.c.obj. This is due to the linker's interpretation of the dot operator as the current PC. It is also true because the dot operator is evaluated independently of the input sections around it.

Another potential problem in the above example is that end\_of\_s2 may not account for any padding that was required at the end of the output section. You cannot reliably use end\_of\_s2 as the end address of the output section. One way to get around this problem is to create a dummy section immediately after the output section in question. For example:

```
GROUP
{
    outsect:
    {
        start_of_outsect = .;
        ...
    }
    dummy: { size_of_outsect = . - start_of_outsect; }
}
```

### 8.5.10.7 Address and Dimension Operators

Six operators allow you to define symbols for load-time and run-time addresses and sizes:

<b>LOAD_START( sym )</b> <b>START( sym )</b>	Defines <i>sym</i> with the load-time start address of related allocation unit
<b>LOAD_END( sym )</b> <b>END( sym )</b>	Defines <i>sym</i> with the load-time end address of related allocation unit
<b>LOAD_SIZE( sym )</b> <b>SIZE( sym )</b>	Defines <i>sym</i> with the load-time size of related allocation unit
<b>RUN_START( sym )</b>	Defines <i>sym</i> with the run-time start address of related allocation unit
<b>RUN_END( sym )</b>	Defines <i>sym</i> with the run-time end address of related allocation unit
<b>RUN_SIZE( sym )</b>	Defines <i>sym</i> with the run-time size of related allocation unit
<b>LAST( sym )</b>	Defines <i>sym</i> with the run-time address of the last allocated byte in the related memory range.

---

#### Linker Command File Operator Equivalencies --

**NOTE:** LOAD\_START() and START() are equivalent, as are LOAD\_END()/END() and LOAD\_SIZE()/SIZE(). The LOAD names are recommended for clarity.

---

These address and dimension operators can be associated with several different kinds of allocation units, including input items, output sections, GROUPs, and UNIONs. The following sections provide some examples of how the operators can be used in each case.

These symbols defined by the linker can be accessed at runtime using the `_symval` operator, which is essentially a cast operation. For example, suppose your linker command file contains the following:

```
.text: RUN_START(text_run_start), RUN_SIZE(text_run_size) { *(.text) }
```

Your C program can access these symbols as follows:

```
extern char text_run_start, text_run_size;

printf(".text load start is %lx\n", _symval(&text_run_start));
printf(".text load size is %lx\n", _symval(&text_run_size));
```

See [Section 8.6.1](#) for more information about referring to linker symbols in C/C++ code.

### 8.5.10.7.1 Input Items

Consider an output section specification within a SECTIONS directive:

```
outsect:
{
    s1.c.obj(.text)
    end_of_s1 = .;
    start_of_s2 = .;
    s2.c.obj(.text)
    end_of_s2 = .;
}
```

This can be rewritten using the START and END operators as follows:

```
outsect:
{
    s1.c.obj(.text) { END(end_of_s1) }
    s2.c.obj(.text) { START(start_of_s2), END(end_of_s2) }
}
```

The values of `end_of_s1` and `end_of_s2` will be the same as if you had used the dot operator in the original example, but `start_of_s2` would be defined after any necessary padding that needs to be added between the two `.text` sections. Remember that the dot operator would cause `start_of_s2` to be defined before any necessary padding is inserted between the two input sections.

The syntax for using these operators in association with input sections calls for braces `{ }` to enclose the operator list. The operators in the list are applied to the input item that occurs immediately before the list.

### 8.5.10.7.2 Output Section

The START, END, and SIZE operators can also be associated with an output section. Here is an example:

```
outsect: START(start_of_outsect), SIZE(size_of_outsect)
{
    <list of input items>
}
```

In this case, the SIZE operator defines `size_of_outsect` to incorporate any padding that is required in the output section to conform to any alignment requirements that are imposed.

The syntax for specifying the operators with an output section does not require braces to enclose the operator list. The operator list is simply included as part of the allocation specification for an output section.

### 8.5.10.7.3 GROUPs

Here is another use of the START and SIZE operators in the context of a GROUP specification:

```
GROUP
{
    outsect1: { ... }
    outsect2: { ... }
} load = ROM, run = RAM, START(group_start), SIZE(group_size);
```

This can be useful if the whole GROUP is to be loaded in one location and run in another. The copying code can use group\_start and group\_size as parameters for where to copy from and how much is to be copied. This makes the use of .label in the source code unnecessary.

### 8.5.10.7.4 UNIONS

The RUN\_SIZE and LOAD\_SIZE operators provide a mechanism to distinguish between the size of a UNION's load space and the size of the space where its constituents are going to be copied before they are run. Here is an example:

```
UNION: run = RAM, LOAD_START(union_load_addr),
      LOAD_SIZE(union_ld_sz), RUN_SIZE(union_run_sz)
{
    .text1: load = ROM, SIZE(text1_size) { f1.c.obj(.text) }
    .text2: load = ROM, SIZE(text2_size) { f2.c.obj(.text) }
}
```

Here union\_ld\_sz is going to be equal to the sum of the sizes of all output sections placed in the union. The union\_run\_sz value is equivalent to the largest output section in the union. Both of these symbols incorporate any padding due to blocking or alignment requirements.

### 8.5.10.8 LAST Operator

The LAST operator is similar to the START and END operators that were described previously. However, LAST applies to a memory range rather than to a section. You can use it in a MEMORY directive to define a symbol that can be used at run-time to learn how much memory was allocated when linking the program. See [Section 8.5.4.2](#) for syntax details.

For example, a memory range might be defined as follows:

```
D_MEM : org = 0x20000020 len = 0x20000000 LAST(dmem_end)
```

Your C program can then access this symbol at runtime using the \_symval operator. For example:

```
extern char dmem_end;
```

```
printf("End of D_MEM memory is %lx\n", _symval(&dmem_end));
```

See [Section 8.6.1](#) for more information about referring to linker symbols in C/C++ code.

## 8.5.11 Creating and Filling Holes

The linker provides you with the ability to create areas *within output sections* that have nothing linked into them. These areas are called *holes*. In special cases, uninitialized sections can also be treated as holes. This section describes how the linker handles holes and how you can fill holes (and uninitialized sections) with values.

### 8.5.11.1 Initialized and Uninitialized Sections

There are two rules to remember about the contents of output sections. An output section contains either:

- Raw data for the *entire* section
- No raw data

A section that has raw data is referred to as *initialized*. This means that the object file contains the actual memory image contents of the section. When the section is loaded, this image is loaded into memory at the section's specified starting address. The `.text` and `.data` sections *always* have raw data if anything was assembled into them. Named sections defined with the `.sect` assembler directive also have raw data.

By default, the `.bss` section (see [Reserve Space in the .bss Section](#)) and sections defined with the `.usect` directive (see [Reserve Uninitialized Space](#)) have no raw data (they are *uninitialized*). They occupy space in the memory map but have no actual contents. Uninitialized sections typically reserve space in fast external memory for variables. In the object file, an uninitialized section has a normal section header and can have symbols defined in it; no memory image, however, is stored in the section.

### 8.5.11.2 Creating Holes

You can create a hole in an initialized output section. A hole is created when you force the linker to leave extra space between input sections within an output section. When such a hole is created, *the linker must supply raw data for the hole*.

Holes can be created only *within* output sections. Space can exist *between* output sections, but such space is not a hole. To fill the space between output sections, see [Section 8.5.4.2](#).

To create a hole in an output section, you must use a special type of linker assignment statement within an output section definition. The assignment statement modifies the SPC (denoted by `.`) by adding to it, assigning a greater value to it, or aligning it on an address boundary. The operators, expressions, and syntaxes of assignment statements are described in [Section 8.5.10](#).

The following example uses assignment statements to create holes in output sections:

```
SECTIONS
{
    outsect:
    {
        file1.c.obj(.text)
        . += 0x0100 /* Create a hole with size 0x0100 */
        file2.c.obj(.text)
        . = align(16); /* Create a hole to align the SPC */
        file3.c.obj(.text)
    }
}
```

The output section `outsect` is built as follows:

1. The `.text` section from `file1.c.obj` is linked in.
2. The linker creates a 256-byte hole.
3. The `.text` section from `file2.c.obj` is linked in after the hole.
4. The linker creates another hole by aligning the SPC on a 16-byte boundary.
5. Finally, the `.text` section from `file3.c.obj` is linked in.

All values assigned to the `.` symbol within a section refer to the *relative address within the section*. The linker handles assignments to the `.` symbol as if the section started at address 0 (even if you have specified a binding address). Consider the statement `. = align(16)` in the example. This statement effectively aligns the `file3.c.obj .text` section to start on a 16-byte boundary within `outsect`. If `outsect` is ultimately allocated to start on an address that is not aligned, the `file3.c.obj .text` section will not be aligned either.

The `.` symbol refers to the current run address, not the current load address, of the section.

Expressions that decrement the `.` symbol are illegal. For example, it is invalid to use the `-=` operator in an assignment to the `.` symbol. The most common operators used in assignments to the `.` symbol are `+=` and `align`.

If an output section contains all input sections of a certain type (such as `.text`), you can use the following statements to create a hole at the beginning or end of the output section.

```
.text:  { . += 0x0100; }      /* Hole at the beginning */
.data:  { *(.data)
        . += 0x0100; }      /* Hole at the end          */
```

Another way to create a hole in an output section is to combine an uninitialized section with an initialized section to form a single output section. *In this case, the linker treats the uninitialized section as a hole and supplies data for it.* The following example illustrates this method:

```
SECTIONS
{
  outsect:
  {
    file1.c.obj(.text)
    file1.c.obj(.bss)          /* This becomes a hole */
  }
}
```

Because the `.text` section has raw data, all of `outsect` must also contain raw data. Therefore, the uninitialized `.bss` section becomes a hole.

Uninitialized sections become holes only when they are combined with initialized sections. If several uninitialized sections are linked together, the resulting output section is also uninitialized.

### 8.5.11.3 Filling Holes

When a hole exists in an initialized output section, the linker must supply raw data to fill it. The linker fills holes with a 32-bit fill value that is replicated through memory until it fills the hole. The linker determines the fill value as follows:

1. If the hole is formed by combining an uninitialized section with an initialized section, you can specify a fill value for the uninitialized section. Follow the section name with an = sign and a 32-bit constant. For example:

```
SECTIONS
{
  outsect:
  {
    file1.c.obj(.text)
    file2.c.obj(.bss)= 0xFF00FF00 /* Fill this hole with 0xFF00FF00 */
  }
}
```

2. You can also specify a fill value for all the holes in an output section by supplying the fill value after the section definition:

```
SECTIONS
{
  outsect:fill = 0xFF00FF00 /* Fills holes with 0xFF00FF00 */
  {
    . += 0x0010; /* This creates a hole */
    file1.c.obj(.text)
    file1.c.obj(.bss) /* This creates another hole */
  }
}
```

3. If you do not specify an initialization value for a hole, the linker fills the hole with the value specified with the `--fill_value` option (see [Section 8.4.12](#)). For example, suppose the command file `link.cmd` contains the following `SECTIONS` directive:

```
SECTIONS { .text: { . = 0x0100; } /* Create a 100 word hole */ }
```

Now invoke the linker with the `--fill_value` option:

```
c1430 --run_linker --fill_value=0xFFFFFFFF link.cmd
```

This fills the hole with `0xFFFFFFFF`.

4. If you do not invoke the linker with the `--fill_value` option or otherwise specify a fill value, the linker fills holes with 0s.

Whenever a hole is created and filled in an initialized output section, the hole is identified in the link map along with the value the linker uses to fill it.

### 8.5.11.4 Explicit Initialization of Uninitialized Sections

You can force the linker to initialize an uninitialized section by specifying an explicit fill value for it in the `SECTIONS` directive. This causes the entire section to have raw data (the fill value). For example:

```
SECTIONS
{
  .bss: fill = 0x12341234 /* Fills .bss with 0x12341234 */
}
```

---

#### Filling Sections

**NOTE:** Because filling a section (even with 0s) causes raw data to be generated for the entire section in the output file, your output file will be very large if you specify fill values for large sections or holes.

---

## 8.6 Linker Symbols

This section provides information about using and resolving linker symbols.

### 8.6.1 Using Linker Symbols in C/C++ Applications

Linker symbols have a name and a value. The value is a 32-bit unsigned integer, even if it represents a pointer value on a target that has pointers smaller than 32 bits.

The most common kind of symbol is generated by the compiler for each function and variable. The value represents the target address where that function or variable is located. When you refer to the symbol by name in the linker command file or in an assembly file, you get that 32-bit integer value.

However, in C and C++ names mean something different. If you have a variable named `x` that contains the value `Y`, and you use the name `"x"` in your C program, you are actually referring to the contents of variable `x`. If `"x"` is used on the right-hand side of an expression, the compiler fetches the value `Y`. To realize this variable, the compiler generates a linker symbol named `x` with the value `&x`. Even though the C/C++ variable and the linker symbol have the same name, they don't represent the same thing. In C, `x` is a variable name with the address `&x` and content `Y`. For linker symbols, `x` is an address, and that address contains the value `Y`.

Because of this difference, there are some tricks to referring to linker symbols in C code. The basic technique is to cause the compiler to create a "fake" C variable or function and take its address. The details differ depending on the type of linker symbol.

**Linker symbols that represent a function address:** In C code, declare the function as an extern function. Then, refer to the value of the linker symbol using the same name. This works because function pointers "decay" to their address value when used without adornment. For example:

```
extern void _c_int00(void);

printf("_c_int00 %lx\n", (unsigned long)&_c_int00);
```

Suppose your linker command file defines the following linker symbol:

```
func_sym=printf+100;
```

Your C application can refer to this symbol as follows:

```
extern void func_sym(void);

printf("func_sym %lx\n", _symval(&func_sym)); /* these two are equivalent */
printf("func_sym %lx\n", (unsigned long)&func_sym);
```

**Linker symbols that represent a data address:** In C code, declare the variable as an extern variable. Then, refer to the value of the linker symbol using the `&` operator. Because the variable is at a valid data address, we know that a data pointer can represent the value.

Suppose your linker command file defines the following linker symbols:

```
data_sym=.data+100;
xyz=12345
```

Your C application can refer to these symbols as follows:

```
extern char data_sym;
extern int xyz;

printf("data_sym %lx\n", _symval(&data_sym)); /* these two are equivalent */
printf("data_sym %p\n", &data_sym);

myvar = &xyz;
```



**Linker symbols for an arbitrary address:** In C code, declare this as an extern symbol. The type does not matter. If you are using GCC extensions, declare it as "extern void". If you are not using GCC extensions, declare it as "extern char". Then, refer to the value of the linker symbol `mySymbol` as `__symval(&mySymbol)`. You must use the `__symval` operator, which is equivalent to a cast, because the 32-bit value of the linker symbol could be wider than a data pointer. The compiler treats `__symval(&mySymbol)` in a special way that can represent all 32 bits, even when pointers are 16 bits. Targets that have 32-bit pointers can usually use `&mySymbol` instead of the `__symval` operator. However, the portable way to access such linker symbols across TI targets is to use `__symval(&mySymbol)`.

Suppose your linker command file defines the following linker symbol:

```
abs_sym=0x12345678;
```

Your C application can refer to this symbol as follows:

```
extern char abs_sym;

printf("abs_sym %lx\n", __symval(&abs_sym));
```

## 8.6.2 Declaring Weak Symbols

In a linker command file, an assignment expression outside a MEMORY or SECTIONS directive can be used to define a linker-defined symbol. To define a weak symbol in a linker command file, use the "weak" operator in an assignment expression to designate that the symbol is eligible for removal from the output file's symbol table if it is not referenced. For example, you can define "ext\_addr\_sym" as follows:

```
weak(ext_addr_sym) = 0x12345678;
```

When the linker command file is used to perform the final link, then "ext\_addr\_sym" is presented to the linker as a weak absolute symbol; it will not be included in the resulting output file if the symbol is not referenced.

See [Section 2.6.3](#) for details about how weak symbols are handled by the linker.

## 8.6.3 Resolving Symbols with Object Libraries

An object library is a partitioned archive file that contains object files as members. Usually, a group of related modules are grouped together into a library. When you specify an object library as linker input, the linker includes any members of the library that define existing unresolved symbol references. You can use the archiver to build and maintain libraries. [Section 7.1](#) contains more information about the archiver.

Using object libraries can reduce link time and the size of the executable module. Normally, if an object file that contains a function is specified at link time, the file is linked whether the function is used or not; however, if that same function is placed in an archive library, the file is included only if the function is referenced.

The order in which libraries are specified is important, because the linker includes only those members that resolve symbols that are undefined at the time the library is searched. The same library can be specified as often as necessary; it is searched each time it is included. Alternatively, you can use the `--reread_libs` option to reread libraries until no more references can be resolved (see [Section 8.4.15.3](#)). A library has a table that lists all external symbols defined in the library; the linker searches through the table until it determines that it cannot use the library to resolve any more references.

The following examples link several files and libraries, using these assumptions:

- Input files `f1.c.obj` and `f2.c.obj` both reference an external function named `clrscr`.
- Input file `f1.c.obj` references the symbol `origin`.
- Input file `f2.c.obj` references the symbol `fillclr`.
- Member 0 of library `libc.lib` contains a definition of `origin`.
- Member 3 of library `liba.lib` contains a definition of `fillclr`.
- Member 1 of both libraries defines `clrscr`.

If you enter:

```
c1430 --run_linker f1.c.obj f2.c.obj liba.lib libc.lib
```

then:

- Member 1 of liba.lib satisfies the f1.c.obj and f2.c.obj references to *clrscr* because the library is searched and the definition of *clrscr* is found.
- Member 0 of libc.lib satisfies the reference to *origin*.
- Member 3 of liba.lib satisfies the reference to *fillclr*.

If, however, you enter:

```
c1430 --run_linker f1.c.obj f2.c.obj libc.lib liba.lib
```

then the references to *clrscr* are satisfied by member 1 of libc.lib.

If none of the linked files reference symbols defined in a library, you can use the `--undef_sym` option to force the linker to include a library member. (See [Section 8.4.31](#).) The next example creates an undefined symbol *rout1* in the linker's global symbol table:

```
c1430 --run_linker --undef_sym=rout1 libc.lib
```

If any member of libc.lib defines *rout1*, the linker includes that member.

Library members are allocated according to the `SECTIONS` directive default allocation algorithm; see [Section 8.5.5](#).

[Section 8.4.15](#) describes methods for specifying directories that contain object libraries.

## 8.7 Default Placement Algorithm

The `MEMORY` and `SECTIONS` directives provide flexible methods for building, combining, and allocating sections. However, any memory locations or sections you choose *not* to specify must still be handled by the linker. The linker uses algorithms to build and allocate sections in coordination with any specifications you do supply.

If you do not use the `MEMORY` and `SECTIONS` directives, the linker allocates output sections as though the memory map and section definitions were as shown in [Example 8-16](#) were specified.

### Example 8-16. Default Allocation for MSP430 Devices

```
MEMORY
{
    MEM      : origin = 0x0200, length = 0xFDFD
    RESET    : origin = 0xFFFFE, length = 0x0002
}

SECTIONS
{
    .text    : {} > MEM
    .const   : {} > MEM
    .data    : {} > MEM
    .bss     : {} > MEM
    .reset   : > RESET
    .cinit   : {} > MEM      ;cflag option only
    .pinit   : {} > MEM      ;cflag option only
}
```

See [Section 2.5.1](#) for information about default memory allocation.

All `.text` input sections are concatenated to form a `.text` output section in the executable output file, and all `.data` input sections are combined to form a `.data` output section.

If you use a `SECTIONS` directive, the linker performs *no part* of this default allocation. Instead, allocation is performed according to the rules specified by the `SECTIONS` directive and the general algorithm described next in [Section 8.7.1](#).

### 8.7.1 How the Allocation Algorithm Creates Output Sections

An output section can be formed in one of two ways:

**Method 1** As the result of a SECTIONS directive definition

**Method 2** By combining input sections with the same name into an output section that is not defined in a SECTIONS directive

If an output section is formed as a result of a SECTIONS directive, this definition completely determines the section's contents. (See [Section 8.5.5](#) for examples of how to define an output section's content.)

If an output section is formed by combining input sections not specified by a SECTIONS directive, the linker combines all such input sections that have the same name into an output section with that name. For example, suppose the files f1.c.obj and f2.c.obj both contain named sections called Vectors and that the SECTIONS directive does not define an output section for them. The linker combines the two Vectors sections from the input files into a single output section named Vectors, allocates it into memory, and includes it in the output file.

By default, the linker does not display a message when it creates an output section that is not defined in the SECTIONS directive. You can use the `--warn_sections` linker option (see [Section 8.4.33](#)) to cause the linker to display a message when it creates a new output section.

After the linker determines the composition of all output sections, it must allocate them into configured memory. The MEMORY directive specifies which portions of memory are configured. If there is no MEMORY directive, the linker uses the default configuration as shown in [Example 8-16](#). (See [Section 8.5.4](#) for more information on configuring memory.)

### 8.7.2 Reducing Memory Fragmentation

The linker's allocation algorithm attempts to minimize memory fragmentation. This allows memory to be used more efficiently and increases the probability that your program will fit into memory. The algorithm comprises these steps:

1. Each output section for which you supply a specific binding address is placed in memory at that address.
2. Each output section that is included in a specific, named memory range or that has memory attribute restrictions is allocated. Each output section is placed into the first available space within the named area, considering alignment where necessary.
3. Any remaining sections are allocated in the order in which they are defined. Sections not defined in a SECTIONS directive are allocated in the order in which they are encountered. Each output section is placed into the first available memory space, considering alignment where necessary.

If you want to control the order in which code and data are placed in memory, see the [FAQ topic on section placement](#).

## 8.8 Using Linker-Generated Copy Tables

The linker supports extensions to the linker command file syntax that enable the following:

- Make it easier for you to copy objects from load-space to run-space at boot time
- Make it easier for you to manage memory overlays at run time
- Allow you to split GROUPs and output sections that have separate load and run addresses

For an introduction to copy tables and their use, see [Section 3.3.3](#).

### 8.8.1 Using Copy Tables for Boot Loading

In some embedded applications, there is a need to copy or download code and/or data from one location to another at boot time before the application actually begins its main execution thread. For example, an application may have its code and/or data in FLASH memory and need to copy it into on-chip memory before the application begins execution.

One way to develop such an application is to create a copy table in assembly code that contains three elements for each block of code or data that needs to be moved from FLASH to on-chip memory at boot time:

- The load address
- The run address
- The size

The process you follow to develop such an application might look like this:

1. Build the application to produce a .map file that contains the load and run addresses of each section that has a separate load and run placement.
2. Edit the copy table (used by the boot loader) to correct the load and run addresses as well as the size of each block of code or data that needs to be moved at boot time.
3. Build the application again, incorporating the updated copy table.
4. Run the application.

This process puts a heavy burden on you to maintain the copy table (by hand, no less). Each time a piece of code or data is added or removed from the application, you must repeat the process in order to keep the contents of the copy table up to date.

## 8.8.2 Using Built-in Link Operators in Copy Tables

You can avoid some of this maintenance burden by using the `LOAD_START()`, `RUN_START()`, and `SIZE()` operators that are already part of the linker command file syntax. For example, instead of building the application to generate a `.map` file, the linker command file can be annotated:

```
SECTIONS
{
    .flashcode: { app_tasks.c.obj(.text) }
        load = FLASH, run = PMEM,
        LOAD_START(_flash_code_ld_start),
        RUN_START(_flash_code_rn_start),
        SIZE(_flash_code_size)
    ...
}
```

In this example, the `LOAD_START()`, `RUN_START()`, and `SIZE()` operators instruct the linker to create three symbols:

Symbol	Description
<code>_flash_code_ld_start</code>	Load address of <code>.flashcode</code> section
<code>_flash_code_rn_start</code>	Run address of <code>.flashcode</code> section
<code>_flash_code_size</code>	Size of <code>.flashcode</code> section

These symbols can then be referenced from the copy table. The actual data in the copy table will be updated automatically each time the application is linked. This approach removes step 1 of the process described in [Section 8.8.1](#).

While maintenance of the copy table is reduced markedly, you must still carry the burden of keeping the copy table contents in sync with the symbols that are defined in the linker command file. Ideally, the linker would generate the boot copy table automatically. This would avoid having to build the application twice *and* free you from having to explicitly manage the contents of the boot copy table.

For more information on the `LOAD_START()`, `RUN_START()`, and `SIZE()` operators, see [Section 8.5.10.7](#).

### 8.8.3 Overlay Management Example

Consider an application that contains a memory overlay that must be managed at run time. The memory overlay is defined using a UNION in the linker command file as illustrated in [Example 8-17](#):

#### Example 8-17. Using a UNION for Memory Overlay

```
SECTIONS
{
    ...
    UNION
    {
        GROUP
        {
            .task1: { task1.c.obj(.text) }
            .task2: { task2.c.obj(.text) }

        } load = ROM, LOAD_START(_task12_load_start), SIZE(_task12_size)

        GROUP
        {
            .task3: { task3.c.obj(.text) }
            .task4: { task4.c.obj(.text) }

        } load = ROM, LOAD_START(_task34_load_start), SIZE(_task_34_size)
    } run = RAM, RUN_START(_task_run_start)
    ...
}
```

The application must manage the contents of the memory overlay at run time. That is, whenever any services from .task1 or .task2 are needed, the application must first ensure that .task1 and .task2 are resident in the memory overlay. Similarly for .task3 and .task4.

To affect a copy of .task1 and .task2 from ROM to RAM at run time, the application must first gain access to the load address of the tasks (`_task12_load_start`), the run address (`_task_run_start`), and the size (`_task12_size`). Then this information is used to perform the actual code copy.

### 8.8.4 Generating Copy Tables With the `table()` Operator

The linker supports extensions to the linker command file syntax that enable you to do the following:

- Identify any object components that may need to be copied from load space to run space at some point during the run of an application
- Instruct the linker to automatically generate a copy table that contains (at least) the load address, run address, and size of the component that needs to be copied
- Instruct the linker to generate a symbol specified by you that provides the address of a linker-generated copy table. For instance, [Example 8-17](#) can be written as shown in [Example 8-18](#):

**Example 8-18. Produce Address for Linker Generated Copy Table**

```

SECTIONS
{
    ...

    UNION
    {
        GROUP
        {
            .task1: { task1.c.obj(.text) }
            .task2: { task2.c.obj(.text) }

        } load = ROM, table(_task12_copy_table)

        GROUP
        {
            .task3: { task3.c.obj(.text) }
            .task4: { task4.c.obj(.text) }

        } load = ROM, table(_task34_copy_table)

    } run = RAM
    ...
}

```

Using the SECTIONS directive from [Example 8-18](#) in the linker command file, the linker generates two copy tables named: `_task12_copy_table` and `_task34_copy_table`. Each copy table provides the load address, run address, and size of the GROUP that is associated with the copy table. This information is accessible from application source code using the linker-generated symbols, `_task12_copy_table` and `_task34_copy_table`, which provide the addresses of the two copy tables, respectively.

Using this method, you need not worry about the creation or maintenance of a copy table. You can reference the address of any copy table generated by the linker in C/C++ or assembly source code, passing that value to a general purpose copy routine, which will process the copy table and affect the actual copy.

**8.8.4.1 The table() Operator**

You can use the `table()` operator to instruct the linker to produce a copy table. A `table()` operator can be applied to an output section, a GROUP, or a UNION member. The copy table generated for a particular `table()` specification can be accessed through a symbol specified by you that is provided as an argument to the `table()` operator. The linker creates a symbol with this name and assigns it the address of the copy table as the value of the symbol. The copy table can then be accessed from the application using the linker-generated symbol.

Each `table()` specification you apply to members of a given UNION must contain a unique name. If a `table()` operator is applied to a GROUP, then none of that GROUP's members may be marked with a `table()` specification. The linker detects violations of these rules and reports them as warnings, ignoring each offending use of the `table()` specification. The linker does not generate a copy table for erroneous `table()` operator specifications.

Copy tables can be generated automatically; see [Section 8.8.4](#). The table operator can be used with compression; see [Section 8.8.5](#).

### 8.8.4.2 Boot-Time Copy Tables

The linker supports a special copy table name, BINIT (or binit), that you can use to create a boot-time copy table. This table is handled before the .cinit section is used to initialize variables at startup. For example, the linker command file for the boot-loaded application described in [Section 8.8.2](#) can be rewritten as follows:

```
SECTIONS
{
    .flashcode: { app_tasks.c.obj(.text) }
    load = FLASH, run = PMEM,
    table(BINIT)
    ...
}
```

For this example, the linker creates a copy table that can be accessed through a special linker-generated symbol, `__binit__`, which contains the list of all object components that need to be copied from their load location to their run location at boot-time. If a linker command file does not contain any uses of `table(BINIT)`, then the `__binit__` symbol is given a value of -1 to indicate that a boot-time copy table does not exist for a particular application.

You can apply the `table(BINIT)` specification to an output section, GROUP, or UNION member. If used in the context of a UNION, only one member of the UNION can be designated with `table(BINIT)`. If applied to a GROUP, then none of that GROUP's members may be marked with `table(BINIT)`. The linker detects violations of these rules and reports them as warnings, ignoring each offending use of the `table(BINIT)` specification.

### 8.8.4.3 Using the table() Operator to Manage Object Components

If you have several pieces of code that need to be managed together, then you can apply the same `table()` operator to several different object components. In addition, if you want to manage a particular object component in multiple ways, you can apply more than one `table()` operator to it. Consider the linker command file excerpt in [Example 8-19](#):

#### Example 8-19. Linker Command File to Manage Object Components

```
SECTIONS
{
    UNION
    {
        .first: { a1.c.obj(.text), b1.c.obj(.text), c1.c.obj(.text) }
        load = EMEM, run = PMEM, table(BINIT), table(_first_ctbl)

        .second: { a2.c.obj(.text), b2.c.obj(.text) }
        load = EMEM, run = PMEM, table(_second_ctbl)
    }

    .extra: load = EMEM, run = PMEM, table(BINIT)
    ...
}
```

In this example, the output sections `.first` and `.extra` are copied from external memory (EMEM) into program memory (PMEM) at boot time while processing the BINIT copy table. After the application has started executing its main thread, it can then manage the contents of the overlay using the two overlay copy tables named: `_first_ctbl` and `_second_ctbl`.



#### 8.8.4.4 Linker-Generated Copy Table Sections and Symbols

The linker creates and allocates a separate input section for each copy table that it generates. Each copy table symbol is defined with the address value of the input section that contains the corresponding copy table.

The linker generates a unique name for each overlay copy table input section. For example, `table(_first_ctbl)` would place the copy table for the `.first` section into an input section called `.ovly:_first_ctbl`. The linker creates a single input section, `.binit`, to contain the entire boot-time copy table.

[Example 8-20](#) illustrates how you can control the placement of the linker-generated copy table sections using the input section names in the linker command file.

#### **Example 8-20. Controlling the Placement of the Linker-Generated Copy Table Sections**

```
SECTIONS
{
  UNION
  {
    .first: { a1.c.obj(.text), b1.c.obj(.text), c1.c.obj(.text) }
           load = EMEM, run = PMEM, table(BINIT), table(_first_ctbl)

    .second: { a2.c.obj(.text), b2.c.obj(.text) }
            load = EMEM, run = PMEM, table(_second_ctbl)
  }

  .extra: load = EMEM, run = PMEM, table(BINIT)
  ...
  .ovly: { } > BMEM
  .binit: { } > BMEM
}
```

For the linker command file in [Example 8-20](#), the boot-time copy table is generated into a `.binit` input section, which is collected into the `.binit` output section, which is mapped to an address in the BMEM memory area. The `_first_ctbl` is generated into the `.ovly:_first_ctbl` input section and the `_second_ctbl` is generated into the `.ovly:_second_ctbl` input section. Since the base names of these input sections match the name of the `.ovly` output section, the input sections are collected into the `.ovly` output section, which is then mapped to an address in the BMEM memory area.

If you do not provide explicit placement instructions for the linker-generated copy table sections, they are allocated according to the linker's default placement algorithm.

The linker does not allow other types of input sections to be combined with a copy table input section in the same output section. The linker does not allow a copy table section that was created from a partial link session to be used as input to a succeeding link session.

### 8.8.4.5 Splitting Object Components and Overlay Management

It is possible to split sections that have separate load and run placement instructions. The linker can access both the load address and run address of every piece of a split object component. Using the `table()` operator, you can tell the linker to generate this information into a copy table. The linker gives each piece of the split object component a `COPY_RECORD` entry in the copy table object.

For example, consider an application which has seven tasks. Tasks 1 through 3 are overlaid with tasks 4 through 7 (using a `UNION` directive). The load placement of all of the tasks is split among four different memory areas (LMEM1, LMEM2, LMEM3, and LMEM4). The overlay is defined as part of memory area PMEM. You must move each set of tasks into the overlay at run time before any services from the set are used.

You can use `table()` operators in combination with splitting operators, `>>`, to create copy tables that have all the information needed to move either group of tasks into the memory overlay as shown in [Example 8-21](#).

#### Example 8-21. Creating a Copy Table to Access a Split Object Component

```
SECTIONS
{
    UNION
    {
        .task1to3: { *(.task1), *(.task2), *(.task3) }
                load >> LMEM1 | LMEM2 | LMEM4, table(_task13_ctbl)

        GROUP
        {
            .task4: { *(.task4) }
            .task5: { *(.task5) }
            .task6: { *(.task6) }
            .task7: { *(.task7) }

        } load >> LMEM1 | LMEM3 | LMEM4, table(_task47_ctbl)

    } run = PMEM
    ...
    .ovly: > LMEM4
}
```

[Example 8-22](#) illustrates a possible driver for such an application.

**Example 8-22. Split Object Component Driver**

```
#include <cpy_tbl.h>

extern far COPY_TABLE task13_ctbl;
extern far COPY_TABLE task47_ctbl;

extern void task1(void);
...
extern void task7(void);

main()
{
    ...
    copy_in(&task13_ctbl);
    task1();
    task2();
    task3();
    ...

    copy_in(&task47_ctbl);
    task4();
    task5();
    task6();
    task7();
    ...
}
```

You must declare a COPY\_TABLE object as *far* to allow the overlay copy table section placement to be independent from the other sections containing data objects (such as .bss).

The contents of the .task1to3 section are split in the section's load space and contiguous in its run space. The linker-generated copy table, \_task13\_ctbl, contains a separate COPY\_RECORD for each piece of the split section .task1to3. When the address of \_task13\_ctbl is passed to copy\_in(), each piece of .task1to3 is copied from its load location into the run location.

The contents of the GROUP containing tasks 4 through 7 are also split in load space. The linker performs the GROUP split by applying the split operator to each member of the GROUP in order. The copy table for the GROUP then contains a COPY\_RECORD entry for every piece of every member of the GROUP. These pieces are copied into the memory overlay when the \_task47\_ctbl is processed by copy\_in().

The split operator can be applied to an output section, GROUP, or the load placement of a UNION or UNION member. The linker does not permit a split operator to be applied to the run placement of either a UNION or of a UNION member. The linker detects such violations, emits a warning, and ignores the offending split operator usage.

### 8.8.5 Compression

When automatically generating copy tables, the linker provides a way to compress the load-space data. This can reduce the read-only memory foot print. This compressed data can be decompressed while copying the data from load space to run space.

You can specify compression with the table() operator. The table() operator accepts an optional compression parameter. The syntax is:

```
table( name, compression=compression_kind)
```

The *compression\_kind* can be one of the following types:

- **off**. Don't compress the data.
- **rle**. Compress data using Run Length Encoding.
- **lzss**. Compress data using Lempel-Ziv-Storer-Szymanski compression.

When you choose compression, it is not guaranteed that the linker will compress the load data. The linker compresses load data only when such compression reduces the overall size of the load space. In some cases even if the compression results in smaller load section size the linker does not compress the data if the decompression routine offsets for the savings.

For example, assume RLE compression reduces the size of section1 by 30 bytes. Also assume the RLE decompression routine takes up 40 bytes in load space. By choosing to compress section1 the load space is increased by 10 bytes. Therefore, the linker will not compress section1. On the other hand, if there is another section (say section2) that can benefit by more than 10 bytes from applying the same compression then both sections can be compressed and the overall load space is reduced. In such cases the linker compresses both the sections.

You cannot force the linker to compress the data when doing so does not result in savings.

You cannot compress the decompression routines or any member of a GROUP containing .cinit.

#### 8.8.5.1 Compressed Copy Table Format

The copy table format is the same irrespective of the *compression\_kind*. The size field of the copy record is overloaded to support compression. [Figure 8-5](#) illustrates the compressed copy table layout.

**Figure 8-5. Compressed Copy Table**

Rec size	Rec cnt		
Load address		Run address	Size (0 if load data is compressed)

In [Figure 8-5](#), if the size in the copy record is non-zero it represents the size of the data to be copied, and also means that the size of the load data is the same as the run data. When the size is 0, it means that the load data is compressed.

#### 8.8.5.2 Compressed Section Representation in the Object File

The linker creates a separate input section to hold the compressed data. Consider the following table() operation in the linker command file.

```
SECTIONS
{
    .task1: load = ROM, run = RAM, table(_task1_table)
}
```

The output object file has one output section named .task1 which has different load and run addresses. This is possible because the load space and run space have identical data when the section is not compressed.

Alternatively, consider the following:

```
SECTIONS
{
    .task1: load = ROM, run = RAM, table(_task1_table, compression=rle)
}
```

If the linker compresses the .task1 section then the load space data and the run space data are different. The linker creates the following two sections:

- **.task1** : This section is uninitialized. This output section represents the run space image of section task1.
- **.task1.load** : This section is initialized. This output section represents the load space image of the section task1. This section usually is considerably smaller in size than .task1 output section.

The linker allocates load space for the .task1.load input section in the memory area that was specified for load placement for the .task1 section. There is only a single load section to represent the load placement of .task1 - .task1.load. If the .task1 data had not been compressed, there would be two allocations for the .task1 input section: one for its load placement and another for its run placement.

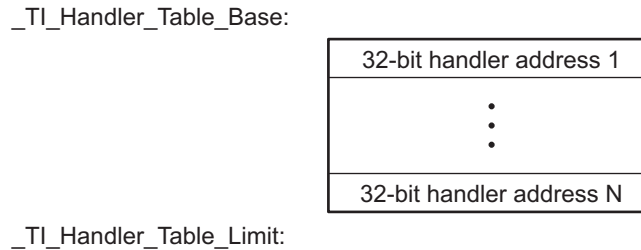
### 8.8.5.3 Compressed Data Layout

The compressed load data has the following layout:



The first 8 bits of the load data are the handler index. This handler index is used to index into a handler table to get the address of a handler function that knows how to decode the data that follows. The handler table is a list of 32-bit function pointers as shown in [Figure 8-6](#).

**Figure 8-6. Handler Table**



The linker creates a separate output section for the load and run space. For example, if .task1.load is compressed using RLE, the handler index points to an entry in the handler table that has the address of the run-time-support routine \_\_TI\_decompress\_rle().

### 8.8.5.4 Run-Time Decompression

During run time you call the run-time-support routine copy\_in() to copy the data from load space to run space. The address of the copy table is passed to this routine. First the routine reads the record count. Then it repeats the following steps for each record:

1. Read load address, run address and size from record.
2. If size is zero go to step 5.
3. Call memcpy passing the run address, load address and size.
4. Go to step 1 if there are more records to read.
5. Read the first byte from the load address. Call this index.
6. Read the handler address from (&\_\_TI\_Handler\_Base)[index].
7. Call the handler and pass load address + 1 and run address.
8. Go to step 1 if there are more records to read.

The routines to handle the decompression of load data are provided in the run-time-support library.

### 8.8.5.5 Compression Algorithms

The following subsections provide information about decompression algorithms for the RLE and LZSS formats. To see example decompression algorithms, refer to the following functions in the Run-Time Support library:

- **RLE:** The `__TI_decompress_rle()` function in the `copy_decompress_rle.c` file.
- **LZSS:** The `__TI_decompress_lzss()` function in the `copy_decompress_lzss.c` file.

Additional information about compression algorithms can be found in the *MSP430 Embedded Application Binary Interface Application Report (SLAA534)* EABI specification.

#### Run Length Encoding (RLE):

8-bit index	Initialization data compressed using run length encoding
-------------	--

The data following the 8-bit index is compressed using run length encoded (RLE) format. MSP430 uses a simple run length encoding that can be decompressed using the following algorithm. See `copy_decompress_rle.c` for details.

1. Read the first byte, Delimiter (D).
2. Read the next byte (B).
3. If  $B \neq D$ , copy B to the output buffer and go to step 2.
4. Read the next byte (L).
  - a. If  $L == 0$ , then length is either a 16-bit or 24-bit value or we've reached the end of the data, read the next byte (L).
    1. If  $L == 0$ , length is a 24-bit value or the end of the data is reached, read next byte (L).
      - a. If  $L == 0$ , the end of the data is reached, go to step 7.
      - b. Else  $L \leq 16$ , read next two bytes into lower 16 bits of L to complete 24-bit value for L.
    2. Else  $L \leq 8$ , read next byte into lower 8 bits of L to complete 16-bit value for L.
  - b. Else if  $L > 0$  and  $L < 4$ , copy D to the output buffer L times. Go to step 2.
  - c. Else, length is 8-bit value (L).
5. Read the next byte (C); C is the repeat character.
6. Write C to the output buffer L times; go to step 2.
7. End of processing.

The MSP430 run-time support library has a routine `__TI_decompress_rle24()` to decompress data compressed using RLE. The first argument to this function is the address pointing to the byte after the 8-bit index. The second argument is the run address from the C auto initialization record.

---

#### RLE Decompression Routine

**NOTE:** The previous decompression routine, `__TI_decompress_rle()`, is included in the run-time-support library for decompressing RLE encodings that are generated by older versions of the linker.

---

#### Lempel-Ziv-Storer-Szymanski Compression (LZSS):

8-bit index	Data compressed using LZSS
-------------	----------------------------

The data following the 8-bit index is compressed using LZSS compression. The MSP430 run-time-support library has the routine `__TI_decompress_lzss()` to decompress the data compressed using LZSS. The first argument to this function is the address pointing to the byte after the 8-bit Index, and the second argument is the run address from the C auto initialization record.

See `copy_decompress_lzss.c` for details on the LZSS algorithm.

### 8.8.6 Copy Table Contents

To use a copy table generated by the linker, you must know the contents of the copy table. This information is included in a run-time-support library header file, `cpy_tbl.h`, which contains a C source representation of the copy table data structure that is generated by the linker. [Example 8-23](#) shows the copy table header file.

#### Example 8-23. MSP430 `cpy_tbl.h` File

```

/* cpy_tbl.h  v#####                                */
/* Copyright (c) 2003-2011 Texas Instruments Incorporated */
/*                                                    */
/* Specification of copy table data structures which can be automatically */
/* generated by the linker (using the table() operator in the LCF).      */
/*                                                    */
/*****

#ifdef _CPY_TBL
#define _CPY_TBL

#ifdef __cplusplus
extern "C" namespace std {
#endif /* __cplusplus */

/*****
/* Copy Record Data Structure                                */
/*****
typedef struct copy_record
{
    unsigned long load_addr;
    unsigned long run_addr;
    unsigned long size;
} COPY_RECORD;

/*****
/* Copy Table Data Structure                                */
/*****
typedef struct copy_table
{
    unsigned short rec_size;
    unsigned short num_recs;
    COPY_RECORD    recs[1];
} COPY_TABLE;

/*****
/* Prototype for general purpose copy routine.            */
/*****
extern void copy_in(COPY_TABLE *tp);

#ifdef __cplusplus
} /* extern "C" namespace std */

#ifdef _CPP_STYLE_HEADER
using std::COPY_RECORD;
using std::COPY_TABLE;
using std::copy_in;
#endif /* _CPP_STYLE_HEADER */
#endif /* __cplusplus */
#endif /* !_CPY_TBL */

```

For each object component that is marked for a copy, the linker creates a COPY\_RECORD object for it. Each COPY\_RECORD contains at least the following information for the object component:

- The load address
- The run address
- The size

The linker collects all COPY\_RECORDs that are associated with the same copy table into a COPY\_TABLE object. The COPY\_TABLE object contains the size of a given COPY\_RECORD, the number of COPY\_RECORDs in the table, and the array of COPY\_RECORDs in the table. For instance, in the BINIT example in [Section 8.8.4.2](#), the .first and .extra output sections will each have their own COPY\_RECORD entries in the BINIT copy table. The BINIT copy table will then look like this:

```
COPY_TABLE __binit__ = { 12, 2,
                        { <load address of .first>,
                          <run address of .first>,
                          <size of .first> },
                        { <load address of .extra>,
                          <run address of .extra>,
                          <size of .extra> } };
```

### 8.8.7 General Purpose Copy Routine

The cpy\_tbl.h file in [Example 8-23](#) also contains a prototype for a general-purpose copy routine, copy\_in(), which is provided as part of the run-time-support library. The copy\_in() routine takes a single argument: the address of a linker-generated copy table. The routine then processes the copy table data object and performs the copy of each object component specified in the copy table.

The copy\_in() function definition is provided in the cpy\_tbl.c run-time-support source file shown in [Example 8-24](#).

#### Example 8-24. Run-Time-Support cpy\_tbl.c File

```
/* cpy_tbl.c v##### */
/*
/* General purpose copy routine. Given the address of a linker-generated
/* COPY_TABLE data structure, copy all object components designated for copy
/* via the corresponding LCF table() operator.
/*
/*****
#include <cpy_tbl.h>
#include <string.h>

#ifdef __TI_EABI__
/*****
/* MSP copy tables can handle moving functions even in small data model */
/* + large code model, where data pointers are not big enough to */
/* represent function pointers. This requires the EABI decompression */
/* functions (SHARED/copy_*.c) to be changed to accept "far" pointers. */
/* For this memory model combination, the decompression functions are */
/* changed to use "unsigned long" to represent function pointers, so */
/* function pointers through which we call these functions also needs to */
/* have a prototype accepting "unsigned long" instead of pointer types. */
/* All other memory model combinations use the same prototype that all */
/* the other targets use: two data pointer arguments. Ultimately we use */
/* MSP peek/poke intrinsics to read/write the "far" memory.
/*****
#if __LARGE_CODE_MODEL__ && !__LARGE_DATA_MODEL__
    typedef void (*handler_fptr)(unsigned long in, unsigned long out);
#else
    typedef void (*handler_fptr)(const unsigned char *in, unsigned char *out);
#endif
#define HANDLER_TABLE __TI_Handler_Table_Base
#pragma WEAK(HANDLER_TABLE)
extern unsigned int HANDLER_TABLE;
#endif
```



**Example 8-24. Run-Time-Support `cpy_tbl.c` File (continued)**

```

#if __LARGE_CODE_MODEL__ && !__LARGE_DATA_MODEL__ void __memcpy_far(unsigned long dst,
    unsigned long src, unsigned long sz);
#endif

void copy_in(COPY_TABLE *tp)
{
    unsigned short i;

    for (i = 0; i < tp->num_recs; i++)
    {
        COPY_RECORD crp = tp->recs[i];

#if __LARGE_CODE_MODEL__ & __LARGE_DATA_MODEL__
        unsigned long ld_addr = crp.load_addr;
        unsigned long rn_addr = crp.run_addr;
#else
        unsigned char *ld_addr = crp.load_addr;
        unsigned char *rn_addr = crp.run_addr;
#endif
        if (crp.size)    {
            /*-----*/
            /* Copy record has non-zero size so data is not compressed.          */
            /*-----*/
#if __LARGE_CODE_MODEL__ && !__LARGE_DATA_MODEL__
            if (ld_addr >> 16 || rn_addr >> 16)
                __memcpy_far(rn_addr, ld_addr, crp.size);
            else
                memcpy((void*)(unsigned int)rn_addr,
                    (void*)(unsigned int)ld_addr, crp.size);
#else
                memcpy(rn_addr, ld_addr, crp.size);
#endif
        }
#ifdef __TI_EABI__
        else if (HANDLER_TABLE)
        {
            /*-----*/
            /* Copy record has size zero so the data is compressed. The first    */
            /* byte of the load data has the handler index. Use this index with   */
            /* the handler table to get the handler for this data. Then call     */
            /* the handler by passing the load and run address.                  */
            /*-----*/
#if __LARGE_CODE_MODEL__ && !__LARGE_DATA_MODEL__
            unsigned char index = __data20_read_char(ld_addr++);
#else
            unsigned char index = *((unsigned char *)ld_addr++);
#endif
            handler_fptr hndl = (handler_fptr>(&HANDLER_TABLE)[index]);

#if __LARGE_CODE_MODEL__ && !__LARGE_DATA_MODEL__
            (*hndl)(ld_addr, rn_addr);
#else
            (*hndl)((const unsigned char *)ld_addr, (unsigned char *)rn_addr);
#endif
        }
    }
}

```

## 8.9 Linker-Generated CRC Tables

The linker supports an extension to the linker command file syntax that enables the verification of code or data by means of Cyclic Redundancy Code (CRC). The linker computes a CRC value for the specified region at link time, and stores that value in target memory such that it is accessible at boot or run time. The application code can then compute the CRC for that region and ensure that the value matches the linker-computed value.

The run-time-support library does not supply a routine to calculate CRC values at boot or run time, however a limited reference implementation in C is provided in [Appendix C](#).

Examples that perform cyclic redundancy checking using linker-generated CRC tables are provided in [the Tools Insider blog in TI's E2E community](#).

### 8.9.1 The `crc_table()` Operator

For any section that should be verified with a CRC, the linker command file must be modified to include the `crc_table()` operator. The specification of a CRC algorithm is optional. The syntax is:

```
crc_table(user_specified_table_name[, algorithm=xxx])
```

The linker uses the CRC algorithm from any specification given in a `crc_table()` operator. If that specification is omitted, the CRC16 CRC-CCITT 11021 (also known as "1021") algorithm is used. The linker includes CRC table information in the map file. This includes the CRC value as well as the algorithm used for the calculation.

The CRC table generated for a particular `crc_table()` instance can be accessed through the table name provided as an argument to the `crc_table()` operator. The linker creates a symbol with this name and assigns the address of the CRC table as the value of the symbol. The CRC table can then be accessed from the application using the linker-generated symbol.

The `crc_table()` operator can be applied to an output section, a GROUP, a GROUP member, a UNION, or a UNION member. In a GROUP or UNION, the operator is applied to each member.

You can include calls in your application to a routine that will verify CRC values for relevant sections. You must provide this routine. See below for more details on the data structures and suggested interface.

### 8.9.2 Restrictions

It is important to note that the CRC generator used by the linker is parameterized as described in the `crc_tbl.h` header file (see [Example 8-29](#)). Any CRC calculation routine employed outside of the linker must function in the same way to ensure matching CRC values. The linker cannot detect a mismatch in the parameters. To understand these parameters, see *A Painless Guide to CRC Error Detection Algorithms* by Ross Williams, which is likely located at [http://www.ross.net/crc/download/crc\\_v3.txt](http://www.ross.net/crc/download/crc_v3.txt).

Only CRC algorithm names and identifiers in `crc_tbl.h` are supported. All other names and ID values are reserved for future use. Systems may not include built-in hardware that computes these CRC algorithms. Consult documentation for your hardware for details. These CRC algorithms are supported:

- CRC8\_PRIME
- CRC16\_ALT
- CRC16\_802\_15\_4
- CRC\_CCITT
- CRC24\_FLEXRAY
- CRC32\_PRIME
- CRC32\_C
- CRC64\_ISO

Some MSP430 devices have a built-in hardware CRC calculator. The supported algorithms are described in the *CRC Implementation With MSP430* application report ([SLAA221](#)). The hardware-based CRC support provides efficient instructions for CRC calculation using these algorithms.

There are also restrictions which will be enforced by the linker:

- CRC can only be requested at final link time.
- CRC can only be applied to initialized sections.
- CRC can be requested for load addresses only.
- Certain restrictions also apply to CRC table names.

### 8.9.3 Examples

The `crc_table()` operator is similar in syntax to the `table()` operator used for copy tables. A few simple examples of linker command files follow.

#### Example 8-25. Using `crc_table()` Operator to Compute the CRC Value for `.text` Data

```
SECTIONS
{
...
.section_to_be_verified: {a1.c.obj(.text)} crc_table(_my_crc_table_for_a1)
}
```

[Example 8-25](#) defines a section named “.section\_to\_be\_verified”, which contains the `.text` data from the `a1.c.obj` file. The `crc_table()` operator requests that the linker compute the CRC value for the `.text` data and store that value in a table named “`my_crc_table_for_a1`”. This table will contain all the information needed to invoke a user-supplied CRC calculation routine, and verify that the CRC calculated at run time matches the linker-generated CRC. The table can be accessed from application code using the symbol `my_crc_table_for_a1`, which should be declared of type “extern `CRC_TABLE`”. This symbol will be defined by the linker. The application code might resemble the following.

```
#include "crc_tbl.h"

extern CRC_TABLE my_crc_table_for_a1;

verify_a1_text_contents()
{
...
/* Verify CRC value for .text sections of a1.c.obj. */
if (my_check_CRC(&my_crc_table_for_a1)) puts("OK");
}
```

The `my_check_CRC()` routine is shown in detail in [Appendix C](#).

#### Example 8-26. Specifying an Algorithm in the `crc_table()` Operator

```
...
SECTIONS
{
...
.section_to_be_verified_2: {b1.c.obj(.text)} load=SLOW_MEM, run=FAST_MEM,
    crc_table(_my_crc_table_for_b1, algorithm=CRC_CCITT)

.TI.crctab: > CRCMEM
}
...
```

In [Example 8-26](#), the CRC algorithm is specified in the `crc_table()` operator. The specified algorithm is used to compute the CRC of the text data from `b1.c.obj`. The CRC tables generated by the linker are created in the special section `.TI.crctab`, which can be placed in the same manner as other sections. In this case, the CRC table `_my_crc_table_for_b1` is created in section `.TI.crctab:_my_crc_table_for_b1`, and that section is placed in the `CRCMEM` memory region.

**Example 8-27. Using a Single Table for Multiple Sections**

```

...
SECTIONS
{
  .section_to_be_verified_1: {a1.c.obj(.text)}
    crc_table(_my_crc_table_for_a1_and_c1)

  .section_to_be_verified_3: {c1.c.obj(.text)}
    crc_table(_my_crc_table_for_a1_and_c1, algorithm=CRC_CCITT)
}
...

```

In [Example 8-27](#) the same identifier, `_my_crc_table_for_a1_and_c1`, is specified for both `a1.c.obj` and `c1.c.obj`. The linker creates a single table that contains entries for both text sections. Multiple CRC algorithms can occur in a single table. In this case, `_my_crc_table_for_a1_and_c1` contains an entry for the text data from `a1.c.obj` using the default CRC algorithm, and an entry for the text data from `c1.c.obj` using the `CRC_CCITT` algorithm. The order of the entries is unspecified.

**Example 8-28. Applying the `crc_table()` Operator to a GROUP or UNION**

```

...
SECTIONS
{
  UNION
  {
    section1: {} crc_table(table1, algorithm=CRC_CCITT)
    section2:
  } crc_table(table2, algorithm=CRC32_ISO3309)
}

```

When the `crc_table()` operator is applied to a GROUP or a UNION, the linker applies the table specification to the members of the GROUP or UNION.

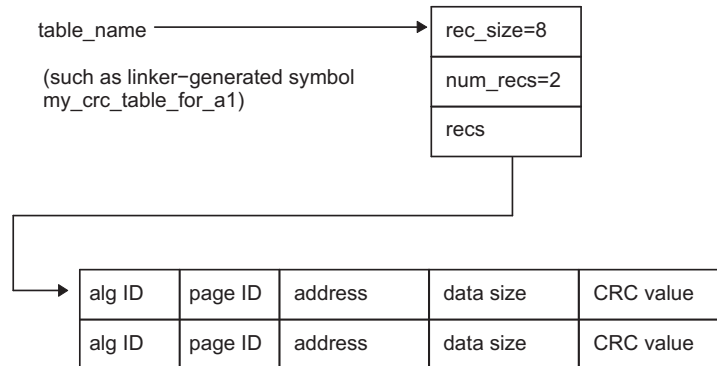
In [Example 8-28](#) the linker creates two CRC tables, `table1` and `table2`. `table1` contains one entry for `section1`, using algorithm `CRC_CCITT`. Because both sections are members of the UNION, `table2` contains entries for `section1` and `section2`, using algorithm `CRC32_ISO3309`. The order of the entries in `table2` is unspecified.

### 8.9.4 Interface

The CRC generation function uses a mechanism similar to the copy table functionality. Using the syntax shown above in the linker command file allows specification of code/data sections that have CRC values computed and stored in the run time image. This section describes the table data structures created by the linker, and how to access this information from application code.

The CRC tables contain entries as detailed in the run-time-support header file `crc_tbl.h`, as illustrated in Figure 8-7.

**Figure 8-7. CRC\_TABLE Conceptual Model**



The `crc_tbl.h` header file is included in Example 8-29. This file specifies the C structures created by the linker to manage CRC information. It also includes the specifications of the supported CRC algorithms. A full discussion of CRC algorithms is beyond the scope of this document, and the interested reader should consult the referenced document for a description of the fields shown in the table. The following fields are relevant to this document.

- Name – text identifier of the algorithm, used by the programmer in the linker command file.
- ID – the numeric identifier of the algorithm, stored by the linker in the `crc_alg_ID` member of each table entry.
- Order – the number of bits used by the CRC calculation.
- Polynomial – used by the CRC computation engine.
- Initial Value – the initial value given to the CRC computation engine.

#### Example 8-29. The CRC Table Header, `crc_tbl.h`

```

/*****
/* crc_tbl.h v#####
/* Copyright (c) 2010@%%% Texas Instruments Incorporated
/*
/* Specification of CRC table data structures which can be automatically
/* generated by the linker (using the crc_table() operator in the linker
/* command file).
/*****
/*****
/*
/* The CRC generator used by the linker is based on concepts from the
/* document:
/* "A Painless Guide to CRC Error Detection Algorithms"
/*
/* Author : Ross Williams (ross@guest.adelaide.edu.au.).
/* Date : 3 June 1993.
/* Status : Public domain (C code).
/*
/* Description : For more information on the Rocksoft^tm Model CRC
/* Algorithm, see the document titled "A Painless Guide to CRC Error
/* Detection Algorithms" by Ross Williams (ross@guest.adelaide.edu.au.).
/* This document is likely to be in "ftp.adelaide.edu.au/pub/rocksoft" or
  
```

**Example 8-29. The CRC Table Header, `crc_tbl.h` (continued)**

```

/* at http:www.ross.net/crc/download/crc_v3.txt. */
/*
/* Note: Rocksoft is a trademark of Rocksoft Pty Ltd, Adelaide, Australia. */
/*****

#include <stdint.h>          /* For uintXX_t */

/*****
/* CRC Algorithm Specifiers */
/*
/* The following specifications, based on the above cited document, are used */
/* by the linker to generate CRC values. */
/*
/*
/*
/* ID   Name           Order Polynomial   Initial      Ref Ref  CRC XOR   Zero */
/*      Value          Value          In  Out  Value   Pad  */
/-----
/* 0, "CRC32_PRIME",   32, 0x04c11db7,  0x00000000,  0,  0, 0x00000000, 1 */
/* 1, "CRC16_802_15_4", 16, 0x00001021,  0x00000000,  0,  0, 0x00000000, 1 */
/* 2, "CRC16_ALT",    16, 0x00008005,  0x00000000,  0,  0, 0x00000000, 1 */
/* 3, "CRC8_PRIME",   8, 0x00000007,  0x00000000,  0,  0, 0x00000000, 1 */
/* 11,"CRC32",       32, 0x1edc6f41,  0x00000000,  0,  0, 0x00000000, 1 */
/*
/* Users should specify the name, such as CRC32_PRIME, in the linker command */
/* file. The resulting CRC_RECORD structure will contain the corresponding */
/* ID value in the crc_alg_ID field. The ID needs to match the enum value */
/* CRC_CONFIG_TYPE in crc.h, which is the index into the crc_configs_m table.*/
/*****
#define CRC32_PRIME      0 /* Poly = 0x04c11db7 */
#define CRC16_802_15_4  1 /* Poly = 0x00001021 */ /* DEFAULT ALGORITHM */
#define CRC16_ALT       2 /* Poly = 0x00008005 */
#define CRC8_PRIME      3 /* Poly = 0x00000007 */
#define CRC32_C         11 /* Poly = 0x1edc6f41 */
#define CRC_CCITT       CRC16_802_15_4
#define CRC32_ISO3309  CRC32_PRIME

/*****
/* CRC Record Data Structure */
/* NOTE: The list of fields and the size of each field varies by target */
/* and memory model. */
/*****
typedef struct crc_record
{
    uint32_t      crc_value;
    uint16_t      crc_alg_ID; /* CRC algorithm ID */
    uintptr_t     addr; /* Starting address */
#if defined(__LARGE_CODE_MODEL__) || defined(__LARGE_DATA_MODEL__)
    uint32_t      size; /* size of data in 8-bit addressable units */
#else
    uint16_t      size; /* size of data in 8-bit addressable units */
#endif
} CRC_RECORD;

/*****
/* CRC Table Data Structure */
/*****
typedef struct crc_table
{
    uint16_t      rec_size; /* 8-bit addressable units */
    uint16_t      num_recs;
    CRC_RECORD    recs[1];
} CRC_TABLE;

```

In the CRC\_TABLE struct, the array recs[1] is dynamically sized by the linker to accommodate the number of records contained in the table (num\_recs). A user-supplied routine to verify CRC values should take a table name and check the CRC values for all entries in the table. An outline of such a routine is shown in [Appendix C](#).

### 8.9.5 Verification of Linker Computed CRC on MSP430

The software CRC implementation is described in the *CRC Implementation With MSP430* application report ([SLAA221](#)). It presents two algorithms, a bitwise method and a table method. These can be used to calculate the CRC for code or data memory for verification with the linker-generated CRC value.

Some MSP430 devices have hardware modules for CRC. See the *Family User's Guide* for your device family for a description of how to use such hardware CRC modules. Code examples are provided in MSP430Ware that use the hardware CRC module to verify data. Be sure to use the same bit order in the CRC calculations as the linker-generated CRC. The CRC16 module provides a bit-reversed register pair for CRC16 operations to support both conventions. See [Appendix C](#) for an example.

## 8.10 Partial (Incremental) Linking

An output file that has been linked can be linked again with additional modules. This is known as *partial linking* or *incremental linking*. Partial linking allows you to partition large applications, link each part separately, and then link all the parts together to create the final executable program.

Follow these guidelines for producing a file that you will relink:

- The intermediate files produced by the linker *must* have relocation information. Use the --relocatable option when you link the file the first time. (See [Section 8.4.3.2](#).)
- Intermediate files *must* have symbolic information. By default, the linker retains symbolic information in its output. Do not use the --no\_sym\_table option if you plan to relink a file, because --no\_sym\_table strips symbolic information from the output module. (See [Section 8.4.21](#).)
- Intermediate link operations should be concerned only with the formation of output sections and not with allocation. All allocation, binding, and MEMORY directives should be performed in the final link.
- If the intermediate files have global symbols that have the same name as global symbols in other files and you want them to be treated as static (visible only within the intermediate file), you must link the files with the --make\_static option (see [Section 8.4.16.1](#)).
- If you are linking C code, do not use --ram\_model or --rom\_model until the final linker. Every time you invoke the linker with the --ram\_model or --rom\_model option, the linker attempts to create an entry point. (See [Section 8.4.24](#), [Section 3.3.2.1](#), and [Section 3.3.2.2](#).)

The following example shows how you can use partial linking:

**Step 1:** Link the file file1.com; use the --relocatable option to retain relocation information in the output file tempout1.out.

```
c1430 --run_linker --relocatable --output_file=tempout1 file1.com
```

file1.com contains:

```
SECTIONS
{
    ss1: {
        f1.c.obj
        f2.c.obj
        .
        .
        fn.c.obj
    }
}
```

**Step 2:** Link the file file2.com; use the --relocatable option to retain relocation information in the output file tempout2.out.

```
c1430 --run_linker --relocatable --output_file=tempout2 file2.com
```

file2.com contains:

```
SECTIONS
{
    ss2: {
        g1.c.obj
        g2.c.obj
        .
        .
        gn.c.obj
    }
}
```

**Step 3:** Link tempout1.out and tempout2.out.

```
c1430 --run_linker --map_file=final.map --
output_file=final.out tempout1.out tempout2.out
```



## 8.11 Linking C/C++ Code

The C/C++ compiler produces assembly language source code that can be assembled and linked. For example, a C program consisting of modules prog1, prog2, etc., can be assembled and then linked to produce an executable file called prog.out:

```
cl430 --run_linker --rom_model --
output_file prog.out prog1.c.obj prog2.c.obj ... rts430.lib
```

The `--rom_model` option tells the linker to use special conventions that are defined by the C/C++ environment.

The archive libraries shipped by TI contain C/C++ run-time-support functions.

C, C++, and mixed C and C++ programs can use the same run-time-support library. Run-time-support functions and variables that can be called and referenced from both C and C++ will have the same linkage.

For more information about the MSP430 C/C++ language, including the run-time environment and run-time-support functions, see the *MSP430 Optimizing C/C++ Compiler User's Guide*.

### 8.11.1 Run-Time Initialization

All C/C++ programs must be linked with code to initialize and execute the program, called a *bootstrap* routine, also known as the *boot.c.obj* object module. The symbol `_c_int00` is defined as the program entry point and is the start of the C boot routine in *boot.c.obj*; referencing `_c_int00` ensures that *boot.c.obj* is automatically linked in from the run-time-support library. When a program begins running, it executes *boot.c.obj* first. The *boot.c.obj* symbol contains code and data for initializing the run-time environment and performs the following tasks:

- Changes from system mode to user mode
- Sets up the user mode stack
- Processes the run-time *.cinit* initialization table and autoinitializes global variables (when the linker is invoked with the `--rom_model` option)
- Calls main

The run-time-support object libraries contain *boot.c.obj*. You can:

- Use the archiver to extract *boot.c.obj* from the library and then link the module in directly.
- Include the appropriate run-time-support library as an input file (the linker automatically extracts *boot.c.obj* when you use the `--ram_model` or `--rom_model` option).

### 8.11.2 Object Libraries and Run-Time Support

The *MSP430 Optimizing C/C++ Compiler User's Guide* describes additional run-time-support functions that are included in *rts.src*. If your program uses any of these functions, you must link the appropriate run-time-support library with your object files.

You can also create your own object libraries and link them. The linker includes and links only those library members that resolve undefined references.

### 8.11.3 Setting the Size of the Stack and Heap Sections

The C/C++ language uses two uninitialized sections called `.system` and `.stack` for the memory pool used by the `malloc( )` functions and the run-time stacks, respectively. You can set the size of these by using the `--heap_size` or `--stack_size` option and specifying the size of the section as a 4-byte constant immediately after the option. If the options are not used, the default size of the heap is 128 bytes and the default size of the stack is 128 bytes.

See [Section 8.4.13](#) for setting heap sizes and [Section 8.4.28](#) for setting stack sizes.

### 8.11.4 Initializing and Autoinitializing Variables at Run Time

Autoinitializing variables at run time is the default method of autoinitialization. To use this method, invoke the linker with the `--rom_model` option. See [Section 3.3.2.1](#) for details.

Initialization of variables at load time enhances performance by reducing boot time and by saving the memory used by the initialization tables. To use this method, invoke the linker with the `--ram_model` option. See [Section 3.3.2.2](#) for details.

See [Section 3.3.2.3](#) for information about the steps that are performed when you invoke the linker with the `--ram_model` or `--rom_model` option.

### 8.11.5 Initialization of Cinit and Watchdog Timer Hold

You can use the `--cinit_hold_wdt` option to specify whether the watchdog timer should be held (on) or not held (off) during cinit auto-initialization. Setting this option causes an RTS auto-initialization routine to be linked in with the program to handle the desired watchdog timer behavior.

## 8.12 Linker Example

This example links three object files named `demo.c.obj`, `ctrl.c.obj`, and `tables.c.obj` and creates a program called `demo.out`. The symbol `SETUP` is the program entry point.

Assume that target memory has the following program memory configuration:

Address Range	Contents
0x0200 to 0x0A00	RAM
0x1100 to 0xFFFF0	FLASH
0xFFE0 to 0xFFFF	VECTORS

The output sections are constructed in the following manner:

- Executable code, contained in the `.text` sections of `demo.c.obj`, `ctrl.c.obj`, and `tables.c.obj`, must be linked into FLASH.
- A set of interrupt vectors, contained in the `.intvecs` section of `tables.c.obj`, must be linked at address `0xFFE0`.
- A table of coefficients, contained in the `.data` section of `tables.c.obj`, must be linked into FLASH. The remainder of block FLASH must be initialized to the value `0xFF00`.
- A set of variables, contained in the `.bss` section of `ctrl.c.obj`, must be linked into RAM and preinitialized to `0x0100`.
- Another `.bss` section in `ctrl.c.obj` must be linked into RAM.

Example 8-30 shows the linker command file for this example. Example 8-31 shows the map file.

**Example 8-30. Linker Command File, demo.cmd**

```

/*****
/*          Specify Linker Options          */
/*****
--entry_point=SETUP          /* Define the program entry point */
--output_file=demo.out      /* Name the output file */
--map_file=demo.map         /* Create an output map file */

/*****
/*          Specify Input Files */
/*****
demo.c.obj
ctrl.c.obj
tables.c.obj

/*****
/*          Specify System Memory Map      */
/*****

MEMORY
{
    SFR(R)          : origin = 0x0000, length = 0x0010
    PERIPHERALS_8BIT : origin = 0x0010, length = 0x00F0
    PERIPHERALS_16BIT: origin = 0x0100, length = 0x0100
    RAM(RW)         : origin = 0x0200, length = 0x0800
    INFOA           : origin = 0x1080, length = 0x0080
    INFOB           : origin = 0x1000, length = 0x0080
    FLASH           : origin = 0x1100, length = 0xEE0
    VECTORS(R)      : origin = 0xFFE0, length = 0x001E
    RESET           : origin = 0xFFFFE, length = 0x0002
}

/*****
/*          Specify Output Sections        */
/*****

SECTIONS
{
    .text      : {} > FLASH          /* Link all .text section into flash */
    .intvecs   : {} > 0xFFE0         /* Link interrupt vectors. at 0xFFE0 */
    .data      :                    /* Link .data sections */
    {
        tables.c.obj(.data)
        . = 0x400;                  /* Create hole at end of block */
    } > FLASH, fill = 0xFF00       /* Fill and link into FLASH */

    ctrl_vars :                    /* Create new sections for ctrl variables */
    {
        ctrl.c.obj(.bss)
    } > RAM, fill = 0x0100         /* Fill with 0x0100 and link into RAM */

    .bss : {} > RAM                /* Link remaining .bss sections into RAM */
}

/*****
/*          End of Command File */
/*****

```

Invoke the linker by entering the following command:

```
cl430 --run_linker demo.cmd
```

This creates the map file shown in [Example 8-31](#) and an output file called demo.out that can be run on an MSP430.

**Example 8-31. Output Map File, demo.map**

```

OUTPUT FILE NAME:    <demo.out>
ENTRY POINT SYMBOL: "SETUP"  address: 000000d4

MEMORY CONFIGURATION

      name      origin      length      attributes      fill
-----
P_MEM      00000000      000001000      RWIX
D_MEM      00001000      000001000      RWIX
EEPROM     08000000      000000400      RWIX

SECTION ALLOCATION MAP

  output
section  page      origin      length      attributes/
-----
.text    0      00000020      00000138      ctrl.c.obj (.text)
          00000020      000000a0      tables.c.obj (.text)
          000000c0      00000000      demo.c.obj (.text)
          000000c0      00000098

.intvecs 0      00000000      00000020      tables.c.obj (.intvecs)
          00000000      00000020

.data    0      08000000      00000400      tables.c.obj (.data)
          08000000      00000168      --HOLE-- [fill = ff00ff00]
          08000168      00000298      ctrl.c.obj (.data)
          08000400      00000000      demo.c.obj (.data)
          08000400      00000000

ctrl_var 0      00001000      00000500      ctrl.c.obj (.bss) [fill = 00000100]
          00001000      00000500

.bss    0      00001500      00000100      UNINITIALIZED
          00001500      00000100      demo.c.obj (.bss)
          00001600      00000000      tables.c.obj (.bss)

GLOBAL SYMBOLS
address  name
-----
000000d4 SETUP      00000020 clear
00000020 clear     000000b8 set
000000b8 set      000000c0 x42
000000c0 x42      000000d4 SETUP

[4 symbols]

```

## Absolute Lister Description

---

---

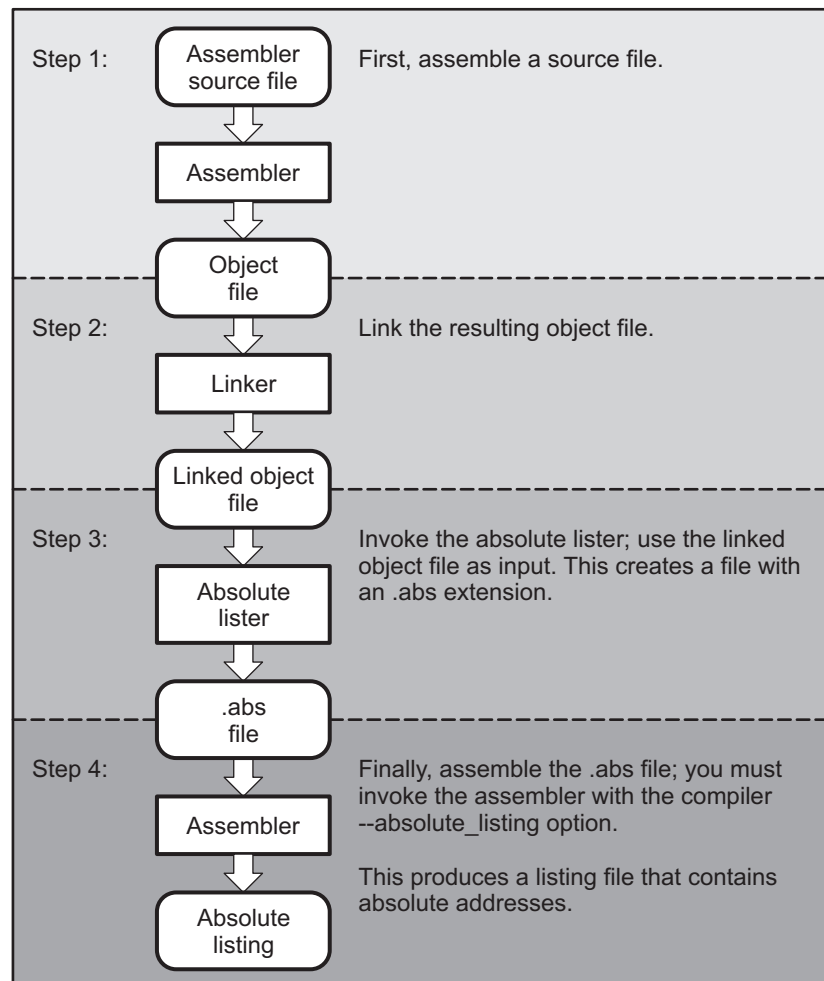
The MSP430 absolute lister is a debugging tool that accepts linked object files as input and creates .abs files as output. These .abs files can be assembled to produce a listing that shows the absolute addresses of object code. Manually, this could be a tedious process requiring many operations; however, the absolute lister utility performs these operations automatically.

Topic	Page
<b>9.1 Producing an Absolute Listing .....</b>	<b>254</b>
<b>9.2 Invoking the Absolute Lister .....</b>	<b>255</b>
<b>9.3 Absolute Lister Example .....</b>	<b>256</b>

## 9.1 Producing an Absolute Listing

Figure 9-1 illustrates the steps required to produce an absolute listing.

**Figure 9-1. Absolute Lister Development Flow**



## 9.2 Invoking the Absolute Lister

The syntax for invoking the absolute lister is:

**abs430** [-options] *input file*

**abs430** is the command that invokes the absolute lister.

**options** identifies the absolute lister options that you want to use. Options are not case sensitive and can appear anywhere on the command line following the command. Precede each option with a hyphen (-). The absolute lister options are as follows:

- e** enables you to change the default naming conventions for filename extensions on assembly files, C source files, and C header files. The valid options are:
  - **ea** [.]*asmext* for assembly files (default is .asm)
  - **ec** [.]*cext* for C source files (default is .c)
  - **eh** [.]*hext* for C header files (default is .h)
  - **ep** [.]*pext* for CPP source files (default is cpp)
 The . in the extensions and the space between the option and the extension are optional.
- q** (quiet) suppresses the banner and all progress information.

**input file** names the linked object file. If you do not supply an extension, the absolute lister assumes that the input file has the default extension .out. If you do not supply an input filename when you invoke the absolute lister, the absolute lister prompts you for one.

The absolute lister produces an output file for each file that was linked. These files are named with the input filenames and an extension of .abs. Header files, however, do not generate a corresponding .abs file.

Assemble these files with the --absolute\_listing assembler option as follows to create the absolute listing:

**cl430 --absolute\_listing filename .abs**

The -e options affect both the interpretation of filenames on the command line and the names of the output files. They should always precede any filename on the command line.

The -e options are useful when the linked object file was created from C files compiled with the debugging option (--symdebug:dwarf compiler option). When the debugging option is set, the resulting linked object file contains the name of the source files used to build it. In this case, the absolute lister does not generate a corresponding .abs file for the C header files. Also, the .abs file corresponding to a C source file uses the assembly file generated from the C source file rather than the C source file itself.

For example, suppose the C source file hello.csr is compiled with the debugging option set; the debugging option generates the assembly file hello.s. The hello.csr file includes hello.hsr. Assuming the executable file created is called hello.out, the following command generates the proper .abs file:

```
abs430 -ea s -ec csr -eh hsr hello.out
```

An .abs file is not created for hello.hsr (the header file), and hello.abs includes the assembly file hello.s, not the C source file hello.csr.

### 9.3 Absolute Lister Example

This example uses three source files. The files `module1.asm` and `module2.asm` both include the file `globals.def`.

#### `module1.asm`

```
.global dflag
.global array
.global offset
.bss    dflag,1
.bss    array,100
.text
MOV     &array,R11
MOV     &offset,R12
ADD     R12,R11
MOV     @R11,&dflag
```

#### `module2.asm`

```
.global dflag
.global array
.global offset

.bss    offset,1

.text
MOV     &offset,R14
```

#### `globals.def`

```
.global dflag
.global array
.global offset
```

The following steps create absolute listings for the files `module1.asm` and `module2.asm`:

**Step 1:** First, assemble `module1.asm` and `module2.asm`:

```
c1430 module1
c1430 module2
```

This creates two object files called `module1.obj` and `module2.obj`.

**Step 2:** Next, link `module1.obj` and `module2.obj` using the following linker command file, called `bttest.cmd`:

```
--output_file=bttest.out
--map_file=bttest.map
module1.obj
module2.obj
MEMORY
{
    RAM:    origin=0x0200, length=0x0800
    FLASH: origin=0x1100, length=0xEEEE0
}
SECTIONS
{
    .bss:  >RAM
    .text: >FLASH
}
```

Invoke the linker:

```
c1430 --run_linker bttest.cmd
```

This command creates an executable object file called `bttest.out`; use this file as input for the absolute lister.



Step 3: Now, invoke the absolute lister:

```
abs430 bttest.out
```

This command creates two files called module1.abs and module2.abs:

#### module1.abs:

```
.nolist
.text      .setsym      000001100h
__text__  .setsym      000001100h
etext     .setsym      000001112h
__etext__ .setsym      000001112h
.bss      .setsym      000000200h
__bss__   .setsym      000000200h
end       .setsym      000000266h
__end__   .setsym      000000266h
array     .setsym      000000201h
dflag     .setsym      000000200h
offset    .setsym      000000265h
.setsect  ".text",000001100h
.setsect  ".bss",000000200h
.setsect  ".debug_line",000000000h
.list
.text
.copy     "module1.asm"
```

#### module2.abs:

```
.nolist
.text      .setsym      000001100h
__text__  .setsym      000001100h
etext     .setsym      000001112h
__etext__ .setsym      000001112h
.bss      .setsym      000000200h
__bss__   .setsym      000000200h
end       .setsym      000000266h
__end__   .setsym      000000266h
array     .setsym      000000201h
dflag     .setsym      000000200h
offset    .setsym      000000265h
.setsect  ".text",00000110eh
.setsect  ".bss",000000265h
.setsect  ".debug_line",00000003ah
.setsect  ".debug_info",00000014fh
.list
.text
.copy     "module2.asm"
```

These files contain the following information that the assembler needs for Step 4:

- They contain .setsym directives, which equate values to global symbols. Both files contain global equates for the symbol *dflag*. The symbol *dflag* was defined in the file *globals.def*, which was included in *module1.asm* and *module2.asm*.
- They contain .setsect directives, which define the absolute addresses for sections.
- They contain .copy directives, which defines the assembly language source file to include. The .setsym and .setsect directives are useful only for creating absolute listings, not normal assembly.

Step 4: Finally, assemble the .abs files created by the absolute lister (remember that you must use the `--absolute_listing` option when you invoke the assembler):

```
cl430 --absolute_listing module1.abs
cl430 --absolute_listing module2.abs
```

This command sequence creates two listing files called `module1.lst` and `module2.lst`; no object code is produced. These listing files are similar to normal listing files; however, the addresses shown are absolute addresses.

The absolute listing files created are `module1.lst` (see [Example 9-1](#)) and `module2.lst` (see [Example 9-2](#)).

### Example 9-1. *module1.lst*

```

module1.abs                                     PAGE      1

    17 001100                .text
    18                .copy      "module1.asm"
A    1                .global dflag
A    2                .global array
A    3                .global offset
A    4 000200                .bss dflag,1
A    5 000201                .bss array,100
A    6 001100                .text
A    7 001100 421B          MOV &array,R11
    001102 0201!
A    8 001104 421C          MOV &offset,R12
    001106 0265!
A    9 001108 5C0B          ADD R12,R11
A   10 00110a 4BA2          MOV @R11,&dflag
    00110c 0200!

No Assembly Errors, No Assembly Warnings

```

### Example 9-2. *module2.lst*

```

module2.abs                                     PAGE      1

    18 00110e                .text
    19                .copy      "module2.asm"
A    1                .global dflag
A    2                .global array
A    3                .global offset
A    4 000265                .bss offset,1
A    5 00110e                .text
A    6 00110e 421E          MOV &offset,R14
    001110 0265!

No Assembly Errors, No Assembly Warnings

```

---

---

## Cross-Reference Lister Description

---

---

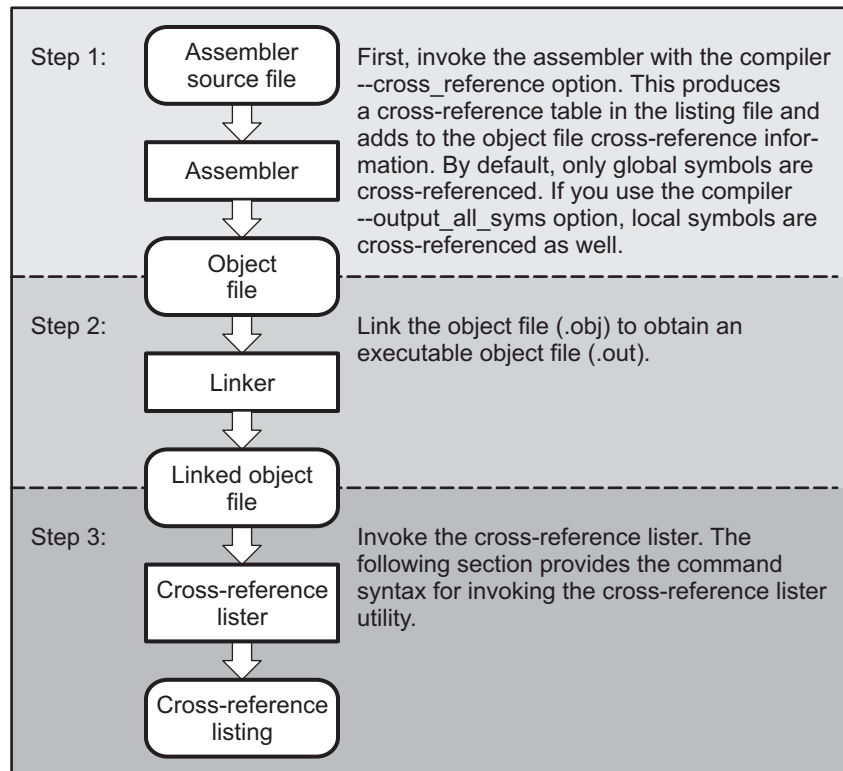
The MSP430 cross-reference lister is a debugging tool. This utility accepts linked object files as input and produces a cross-reference listing as output. This listing shows symbols, their definitions, and their references in the linked source files.

Topic	Page
<b>10.1 Producing a Cross-Reference Listing.....</b>	<b>260</b>
<b>10.2 Invoking the Cross-Reference Lister .....</b>	<b>261</b>
<b>10.3 Cross-Reference Listing Example.....</b>	<b>262</b>

## 10.1 Producing a Cross-Reference Listing

Figure 10-1 illustrates the steps required to produce a cross-reference listing.

**Figure 10-1. The Cross-Reference Lister Development Flow**



## 10.2 Invoking the Cross-Reference Lister

To use the cross-reference utility, the file must be assembled with the correct options and then linked into an executable file. Assemble the assembly language files with the `--cross_reference` option. This option creates a cross-reference listing and adds cross-reference information to the object file. By default, the assembler cross-references only global symbols, but if the assembler is invoked with the `--output_all_syms` option, local symbols are also added. Link the object files to obtain an executable file.

To invoke the cross-reference lister, enter the following:

```
xref430 [options] [input filename] [output filename]
```

<b>xref430</b>	is the command that invokes the cross-reference utility.
<i>options</i>	identifies the cross-reference lister options you want to use. Options are not case sensitive and can appear anywhere on the command line following the command.
<b>-l</b>	(lowercase L) specifies the number of lines per page for the output file. The format of the <code>-l</code> option is <code>-lnum</code> , where <code>num</code> is a decimal constant. For example, <code>-l30</code> sets the number of lines per page in the output file to 30. The space between the option and the decimal constant is optional. The default is 60 lines per page.
<b>-q</b>	suppresses the banner and all progress information (run quiet).
<i>input filename</i>	is a linked object file. If you omit the input filename, the utility prompts for a filename.
<i>output filename</i>	is the name of the cross-reference listing file. If you omit the output filename, the default filename is the input filename with an <code>.xrf</code> extension.

### 10.3 Cross-Reference Listing Example

These terms defined appear in the cross-reference listing in [Example 10-1](#):

<b>Symbol</b>	Name of the symbol listed
<b>Filename</b>	Name of the file where the symbol appears
<b>RTYP</b>	The symbol's reference type in this file. The possible reference types are: <b>STAT</b> The symbol is defined in this file and is not declared as global. <b>EDEF</b> The symbol is defined in this file and is declared as global. <b>EREF</b> The symbol is not defined in this file but is referenced as global. <b>UNDF</b> The symbol is not defined in this file and is not declared as global.
<b>AsmVal</b>	This hexadecimal number is the value assigned to the symbol at assembly time. A value may also be preceded by a character that describes the symbol's attributes. <a href="#">Table 10-1</a> lists these characters and names.
<b>LnkVal</b>	This hexadecimal number is the value assigned to the symbol after linking.
<b>DefLn</b>	The statement number where the symbol is defined.
<b>RefLn</b>	The line number where the symbol is referenced. If the line number is followed by an asterisk (*), then that reference can modify the contents of the object. A blank in this column indicates that the symbol was never used.

**Table 10-1. Symbol Attributes in Cross-Reference Listing**

Character	Meaning
'	Symbol defined in a .text section
"	Symbol defined in a .data section
+	Symbol defined in a .sect section
-	Symbol defined in a .bss or .usect section

[Example 10-1](#) is an example of cross-reference listing.

#### Example 10-1. Cross-Reference Listing

```

MSP430 XREF Utility                v3.0.0
2003-2008
File: test.out                    Tue Mar 18 15:35:55 2008      Page: 1

=====

MSP430 XREF Utility                v3.0.0
2003-2008
File: test.out                    Tue Mar 18 15:35:55 2008      Page: 2

=====

Symbol: array

Filename      RTYP      AsmVal      LnkVal      DefLn      RefLn      RefLn      RefLn
-----
module1.asm   EDEF      -0001      0201        5          2          7

=====

MSP430 XREF Utility                v3.0.0
2003-2008
File: test.out                    Tue Mar 18 15:35:55 2008      Page: 3
    
```

**Example 10-1. Cross-Reference Listing (continued)**

```

=====
Symbol: dflag
Filename      RTYP      AsmVal      LnkVal      DefLn      RefLn      RefLn      RefLn
-----
module1.asm   EDEF      -0000       0200        4          1          10
=====

MSP430 XREF Utility                v3.0.0
2003-2008
File: test.out                      Tue Mar 18 15:35:55 2008          Page: 4
=====

Symbol: offset
Filename      RTYP      AsmVal      LnkVal      DefLn      RefLn      RefLn      RefLn
-----
module1.asm   EREF       0000       0265        3          3          8
module2.asm   EDEF      -0000       0265        4          3          6
=====
  
```

## Object File Utilities

---

---

This chapter describes how to invoke the following utilities:

- The **object file display utility** prints the contents of object files, executable files, and/or archive libraries in both text and XML formats.
- The **disassembler** accepts object files and executable files as input and produces an assembly listing as output. This listing shows assembly instructions, their opcodes, and the section program counter values.
- The **name utility** prints a list of names defined and referenced in an object file, executable files, and/or archive libraries.
- The **strip utility** removes symbol table and debugging information from object and executable files.

Topic	Page
<b>11.1 Invoking the Object File Display Utility</b> .....	<b>265</b>
<b>11.2 Invoking the Disassembler</b> .....	<b>266</b>
<b>11.3 Invoking the Name Utility</b> .....	<b>267</b>
<b>11.4 Invoking the Strip Utility</b> .....	<b>267</b>



## 11.1 Invoking the Object File Display Utility

The object file display utility, *ofd430*, prints the contents of object files (.obj), executable files (.out), and/or archive libraries (.lib) in both text and XML formats. Hidden symbols are listed as *no name*, while localized symbols are listed like any other local symbol.

To invoke the object file display utility, enter the following:

**ofd430** [*options*] *input filename* [*input filename*]

<b>ofd430</b>	is the command that invokes the object file display utility.
<i>input filename</i>	names the object file (.obj), executable file (.out), or archive library (.lib) source file. The filename must contain an extension.
<i>options</i>	identify the object file display utility options that you want to use. Options are not case sensitive and can appear anywhere on the command line following the command. Precede each option with a hyphen.
<b>--call_graph</b>	Prints function stack usage and callee information in XML format. While the XML output may be accessed by a developer, this option was primarily designed to be used by tools such as Code Composer Studio to display an application's worst case stack usage.
<b>--dwarf_display=attributes</b>	Controls the DWARF display filter settings by specifying a comma-delimited list of <i>attributes</i> . When prefixed with <i>no</i> , an attribute is disabled instead of enabled. Examples:            --dwarf_display=nodabbrev,nodline --dwarf_display=all,nodabbrev --dwarf_display=none,dinfo,types  The ordering of attributes is important (see --obj_display). The list of available display attributes can be obtained by invoking <i>ofd430 --dwarf_display=help</i> .
<b>--dwarf</b>	Appends DWARF debug information to program output.
<b>--help</b>	Displays help
<b>--output=filename</b>	Sends program output to <i>filename</i> rather than to the screen.
<b>--obj_display attributes</b>	Controls the object file display filter settings by specifying a comma-delimited list of <i>attributes</i> . When prefixed with <i>no</i> , an attribute is disabled instead of enabled. Examples:            --obj_display=rawdata,nostrings --obj_display=all,norawdata --obj_display=none,header  The ordering of attributes is important. For instance, in "--obj_display=none,header", <i>ofd430</i> disables all output, then re-enables file header information. If the attributes are specified in the reverse order, (header,none), the file header is enabled, the all output is disabled, including the file header. Thus, nothing is printed to the screen for the given files. The list of available display attributes can be obtained by invoking <i>ofd430 --obj_display=help</i> .
<b>--verbose</b>	Prints verbose text output.
<b>--xml</b>	Displays output in XML format.
<b>--xml_indent=num</b>	Sets the number of spaces to indent nested XML tags.

If an archive file is given as input to the object file display utility, each object file member of the archive is processed as if it was passed on the command line. The object file members are processed in the order in which they appear in the archive file.

If the object file display utility is invoked without any options, it displays information about the contents of the input files on the console screen.

---

**Object File Display Format**

**NOTE:** The object file display utility produces data in a text format by default. This data is not intended to be used as input to programs for further processing of the information. XML format should be used for mechanical processing.

---

## 11.2 Invoking the Disassembler

The disassembler, *dis430*, examines the output of the assembler or linker. This utility accepts an object file or executable file as input and writes the disassembled object code to standard output or a specified file.

To invoke the disassembler, enter the following:

```
dis430 [options] input filename[.] [output filename]
```

<b>dis430</b>	is the command that invokes the disassembler.
<i>options</i>	identifies the name utility options you want to use. Options are not case sensitive and can appear anywhere on the command line following the invocation. Precede each option with a hyphen (-). The name utility options are as follows:
<b>--noaddr (-a)</b>	disables the display of the branch destination address along with label names within instructions.
<b>--bytes (-b)</b>	displays data as bytes instead of words.
<b>-c</b>	dumps the object file information.
<b>--nodata (-d)</b>	disables display of data sections.
<b>--help (-h)</b>	shows the current help screen.
<b>--data_as_text (-i)</b>	disassembles .data sections as instructions.
<b>-I</b>	disassembles .text sections as data.
<b>--quiet (-q)</b>	(quiet mode) suppresses the banner and all progress information.
<b>--realquiet (-qq)</b>	(super quiet mode) suppresses all headers.
<b>-r</b>	uses raw register IDs (R10, R11, etc.).
<b>-R</b>	shows run-time address if different from load-time address.
<b>-s</b>	suppresses printing of opcode and section program counter in the listing. When you use this option along with <b>--qq</b> , the disassembly listing looks like the original assembly source file.
<b>--notext (-t)</b>	suppresses the display of text sections in the listing.
<i>input filename</i> [.ext]	This is the name of the input file. If the optional extension is not specified, the file is searched for in this order: <ol style="list-style-type: none"> <li>1. <i>infile</i></li> <li>2. <i>infile.out</i>, an executable file</li> <li>3. <i>infile.obj</i>, an object file</li> </ol>
<i>output filename</i>	is the name of the optional output file to which the disassembly will be written. If an output filename is not specified, the disassembly is written to standard output.

### 11.3 Invoking the Name Utility

The name utility, *nm430*, prints the list of names defined and referenced in an object file, executable file, or archive library. It also prints the symbol value and an indication of the kind of symbol. Hidden symbols are listed as " ". To invoke the name utility, enter the following:

```
nm430 [-options] [input filenames]
```

<b>nm430</b>	is the command that invokes the name utility.
<i>input filename</i>	is an object file (.obj), executable file (.out), or archive library (.lib).
<i>options</i>	identifies the name utility options you want to use. Options are not case sensitive and can appear anywhere on the command line following the invocation. Precede each option with a hyphen (-). The name utility options are as follows:
<b>--all (-a)</b>	prints all symbols.
<b>--prep_fname (-f)</b>	prepends file name to each symbol.
<b>--global (-g)</b>	prints only global symbols.
<b>--help (-h)</b>	shows the current help screen.
<b>--format:long (-l)</b>	produces a detailed listing of the symbol information.
<b>--sort:value (-n)</b>	sorts symbols numerically rather than alphabetically.
<b>--output (-o) file</b>	outputs to the given file.
<b>--sort:none (-p)</b>	causes the name utility to not sort any symbols.
<b>--quiet (-q)</b>	(quiet mode) suppresses the banner and all progress information.
<b>--sort:reverse (-r)</b>	sorts symbols in reverse order.
<b>--dynamic (-s)</b>	lists symbols in the dynamic symbol table for an ELF object module.
<b>--undefined (-u)</b>	only prints undefined symbols.

### 11.4 Invoking the Strip Utility

The strip utility, *strip430*, removes symbol table and debugging information from object and executable files. To invoke the strip utility, enter the following:

```
strip430 [-p] input filename [input filename]
```

<b>strip430</b>	is the command that invokes the strip utility.
<i>input filename</i>	is an object file (.obj) or an executable file (.out).
<i>options</i>	identifies the strip utility options you want to use. Options are not case sensitive and can appear anywhere on the command line following the invocation. Precede each option with a hyphen (-). The strip utility option is as follows:
<b>--help (-h)</b>	displays help information.
<b>--outfile (-o) filename</b>	writes the stripped output to filename.
<b>--postlink (-p)</b>	removes all information not required for execution. This option causes more information to be removed than the default behavior, but the object file is left in a state that cannot be linked. This option should be used only with executable (.out) files.
<b>--rom</b>	Strip readonly sections and segments.

When the strip utility is invoked without the -o option, the input object files are replaced with the stripped version.

## Hex Conversion Utility Description

---



---

The MSP430 assembler and linker create object files which are in binary formats that encourage modular programming and provide powerful and flexible methods for managing code segments and target system memory.

Most EPROM programmers do not accept object files as input. The hex conversion utility converts an object file into one of several standard ASCII hexadecimal formats, suitable for loading into an EPROM programmer. The utility is also useful in other applications requiring hexadecimal conversion of an object file (for example, when using debuggers and loaders).

The hex conversion utility can produce these output file formats:

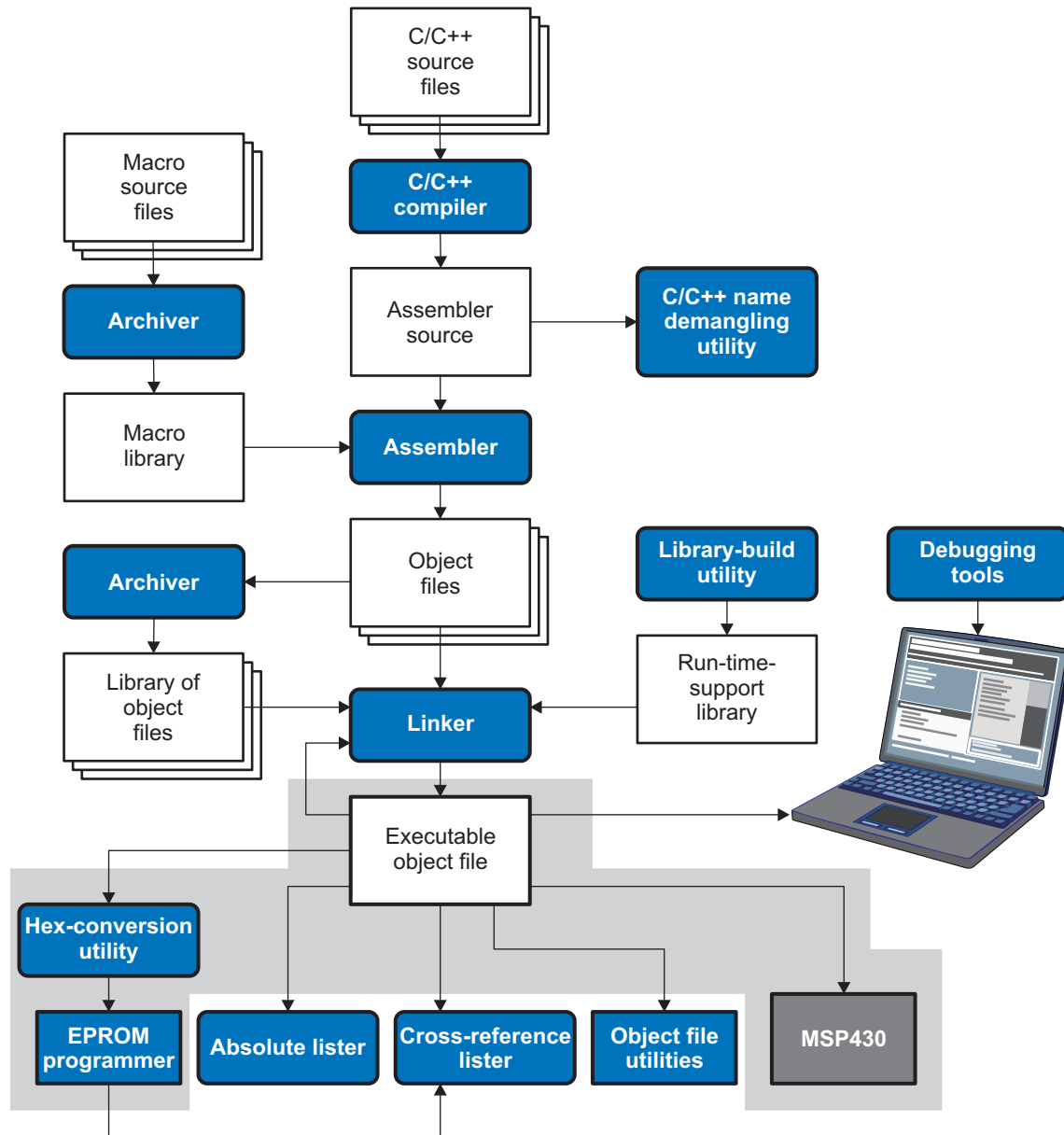
- ASCII-Hex, supporting 16-bit addresses (see [Section 12.13.1](#))
- Extended Tektronix (Tektronix) (see [Section 12.13.4](#))
- Intel MCS-86 (Intel) (see [Section 12.13.2](#))
- Motorola Exorciser (Motorola-S), supporting 16-bit addresses (see [Section 12.13.3](#))
- Texas Instruments SDSMAC (TI-Tagged), supporting 16-bit addresses (see [Section 12.13.5](#))
- Texas Instruments TI-TXT format, supporting 16-bit addresses (see [Section 12.13.6](#))
- C arrays

Topic	Page
<b>12.1 The Hex Conversion Utility's Role in the Software Development Flow .....</b>	<b>269</b>
<b>12.2 Invoking the Hex Conversion Utility .....</b>	<b>270</b>
<b>12.3 Understanding Memory Widths .....</b>	<b>273</b>
<b>12.4 The ROMS Directive .....</b>	<b>277</b>
<b>12.5 The SECTIONS Directive .....</b>	<b>281</b>
<b>12.6 The Load Image Format (--load_image Option).....</b>	<b>282</b>
<b>12.7 Excluding a Specified Section .....</b>	<b>283</b>
<b>12.8 Assigning Output Filenames .....</b>	<b>283</b>
<b>12.9 Image Mode and the --fill Option.....</b>	<b>284</b>
<b>12.10 Array Output Format.....</b>	<b>285</b>
<b>12.11 Controlling the ROM Device Address.....</b>	<b>285</b>
<b>12.12 Control Hex Conversion Utility Diagnostics.....</b>	<b>286</b>
<b>12.13 Description of the Object Formats.....</b>	<b>287</b>

## 12.1 The Hex Conversion Utility's Role in the Software Development Flow

Figure 12-1 highlights the role of the hex conversion utility in the software development process.

Figure 12-1. The Hex Conversion Utility in the MSP430 Software Development Flow



## 12.2 Invoking the Hex Conversion Utility

There are two basic methods for invoking the hex conversion utility:

- **Specify the options and filenames on the command line.** The following example converts the file `firmware.out` into TI-Tagged format, producing two output files, `firm.lsb` and `firm.msb`.

```
hex430 -t firmware -o firm.lsb -o firm.msb
```

- **Specify the options and filenames in a command file.** You can create a file that stores command line options and filenames for invoking the hex conversion utility. The following example invokes the utility using a command file called `hexutil.cmd`:

```
hex430 hexutil.cmd
```

In addition to regular command line information, you can use the hex conversion utility `ROMS` and `SECTIONS` directives in a command file.

### 12.2.1 Invoking the Hex Conversion Utility From the Command Line

To invoke the hex conversion utility, enter:

```
hex430 [options] filename
```

**hex430** is the command that invokes the hex conversion utility.

**options** supplies additional information that controls the hex conversion process. You can use options on the command line or in a command file. [Table 12-1](#) lists the basic options.

- All options are preceded by a hyphen and are not case sensitive.
- Several options have an additional parameter that must be separated from the option by at least one space.
- Options with multi-character names must be spelled exactly as shown in this document; no abbreviations are allowed.
- Options are not affected by the order in which they are used. The exception to this rule is the `--quiet` option, which must be used before any other options.

**filename** names an object file or a command file (for more information, see [Section 12.2.2](#)).

**Table 12-1. Basic Hex Conversion Utility Options**

Option	Alias	Description	See
<b>General Options</b>			
<code>--byte</code>	<code>-byte</code>	Number output locations by bytes rather than by target addressing	--
<code>--exclude={fname(sname)   sname}</code>	<code>-exclude</code>	If the filename ( <i>fname</i> ) is omitted, all sections matching <i>sname</i> will be excluded.	<a href="#">Section 12.7</a>
<code>--fill=value</code>	<code>-fill</code>	Fill holes with <i>value</i>	<a href="#">Section 12.9.2</a>
<code>--help</code>	<code>-options, -h</code>	Display the syntax for invoking the utility and list available options. If the option is followed by another option or phrase, detailed information about that option or phrase is displayed.	<a href="#">Section 12.2.2</a>
<code>--image</code>	<code>-image</code>	Select image mode	<a href="#">Section 12.9.1</a>
<code>--linkerfill</code>	<code>-linkerfill</code>	Include linker fill sections in images	--
<code>--map=filename</code>	<code>-map</code>	Generate a map file	<a href="#">Section 12.4.2</a>
<code>--memwidth=value</code>	<code>-memwidth</code>	Define the system memory word width (default 16 bits)	<a href="#">Section 12.3.2</a>
<code>--order={LS MS}</code>	<code>-order</code>	Specify data ordering (endianness)	<a href="#">Section 12.3.4</a>
<code>--outfile=filename</code>	<code>-o</code>	Specify an output filename	<a href="#">Section 12.8</a>
<code>--quiet</code>	<code>-q</code>	Run quietly (when used, it must appear <i>before</i> other options)	<a href="#">Section 12.2.2</a>
<code>--romwidth=value</code>	<code>-romwidth</code>	Specify the ROM device width (default depends on format used). This option is ignored for the TI-TXT and TI-Tagged formats.	<a href="#">Section 12.3.3</a>

**Table 12-1. Basic Hex Conversion Utility Options (continued)**

Option	Alias	Description	See
--zero	-zero, -z	Reset the address origin to 0 in image mode	<a href="#">Section 12.9.3</a>
<b>Diagnostic Options</b>			
--diag_error= <i>id</i>		Categorizes the diagnostic identified by <i>id</i> as an error	<a href="#">Section 12.12</a>
--diag_remark= <i>id</i>		Categorizes the diagnostic identified by <i>id</i> as a remark	<a href="#">Section 12.12</a>
--diag_suppress= <i>id</i>		Suppresses the diagnostic identified by <i>id</i>	<a href="#">Section 12.12</a>
--diag_warning= <i>id</i>		Categorizes the diagnostic identified by <i>id</i> as a warning	<a href="#">Section 12.12</a>
--display_error_number		Displays a diagnostic's identifiers along with its text	<a href="#">Section 12.12</a>
--issue_remarks		Issues remarks (nonserious warnings)	<a href="#">Section 12.12</a>
--no_warnings		Suppresses warning diagnostics (errors are still issued)	<a href="#">Section 12.12</a>
--set_error_limit= <i>count</i>		Sets the error limit to <i>count</i> . The linker abandons linking after this number of errors. (The default is 100.)	<a href="#">Section 12.12</a>
<b>Output Options</b>			
--array		Select array output format	<a href="#">Section 12.10</a>
--ascii	-a	Select ASCII-Hex	<a href="#">Section 12.13.1</a>
--intel	-i	Select Intel	<a href="#">Section 12.13.2</a>
--motorola=1	-m1	Select Motorola-S1	<a href="#">Section 12.13.3</a>
--motorola=2	-m2	Select Motorola-S2	<a href="#">Section 12.13.3</a>
--motorola=3	-m3	Select Motorola-S3 (default -m option)	<a href="#">Section 12.13.3</a>
--tektronix	-x	Select Tektronix (default format when no output option is specified)	<a href="#">Section 12.13.4</a>
--ti_tagged	-t	Select TI-Tagged (Must have memory width of 16 bits.)	<a href="#">Section 12.13.5</a>
--ti_txt		Select TI-Txt (Must have memory width of 8 bits.)	<a href="#">Section 12.13.6</a>
<b>Load Image Options</b>			
--load_image		Select load image	<a href="#">Section 12.6</a>
--section_name_prefix= <i>string</i>		Specify the section name prefix for load image object files	<a href="#">Section 12.6</a>

## 12.2.2 Invoking the Hex Conversion Utility With a Command File

A command file is useful if you plan to invoke the utility more than once with the same input files and options. It is also useful if you want to use the ROMS and SECTIONS hex conversion utility directives to customize the conversion process.

Command files are ASCII files that contain one or more of the following:

- **Options and filenames.** These are specified in a command file in exactly the same manner as on the command line.
- **ROMS directive.** The ROMS directive defines the physical memory configuration of your system as a list of address-range parameters. (See [Section 12.4.](#))
- **SECTIONS directive.** The hex conversion utility SECTIONS directive specifies which sections from the object file are selected. (See [Section 12.5.](#))
- **Comments.** You can add comments to your command file by using the `/*` and `*/` delimiters. For example:

```
/* This is a comment. */
```

To invoke the utility and use the options you defined in a command file, enter:

```
hex430 command_filename
```

You can also specify other options and files on the command line. For example, you could invoke the utility by using both a command file and command line options:

```
hex430 firmware.cmd --map=firmware.mxp
```

The order in which these options and filenames appear is not important. The utility reads all input from the command line and all information from the command file before starting the conversion process. However, if you are using the `-q` option, *it must appear as the first option on the command line or in a command file.*

The `--help` option displays the syntax for invoking the compiler and lists available options. If the `--help` option is followed by another option or phrase, detailed information about the option or phrase is displayed. For example, to see information about options associated with generating a boot table use `--help boot`.

The `--quiet` option suppresses the hex conversion utility's normal banner and progress information.

- Assume that a command file named `firmware.cmd` contains these lines:

```
firmware.out      /* input file */
--ti-tagged       /* TI-Tagged */
--outfile=firm.lsb /* output file */
--outfile=firm.msb /* output file */
```

You can invoke the hex conversion utility by entering:

```
hex430 firmware.cmd
```

- This example shows how to convert a file called `appl.out` into eight hex files in Intel format. Each output file is one byte wide and 4K bytes long.

```
appl.out          /* input file */
--intel           /* Intel format */
--map=appl.mxp    /* map file */
```

```
ROMS
{
  ROW1: origin=0x00000000 len=0x4000 romwidth=8
        files={ appl.u0 appl.u1 appl.u2 appl.u3 }
  ROW2: origin=0x00004000 len=0x4000 romwidth=8
        files={ appl.u4 appl.u5 appl.u6 appl.u7 }
}
```

```
SECTIONS
{
  .text, .data, .cinit, .sect1, .vectors, .const:
}
```



## 12.3 Understanding Memory Widths

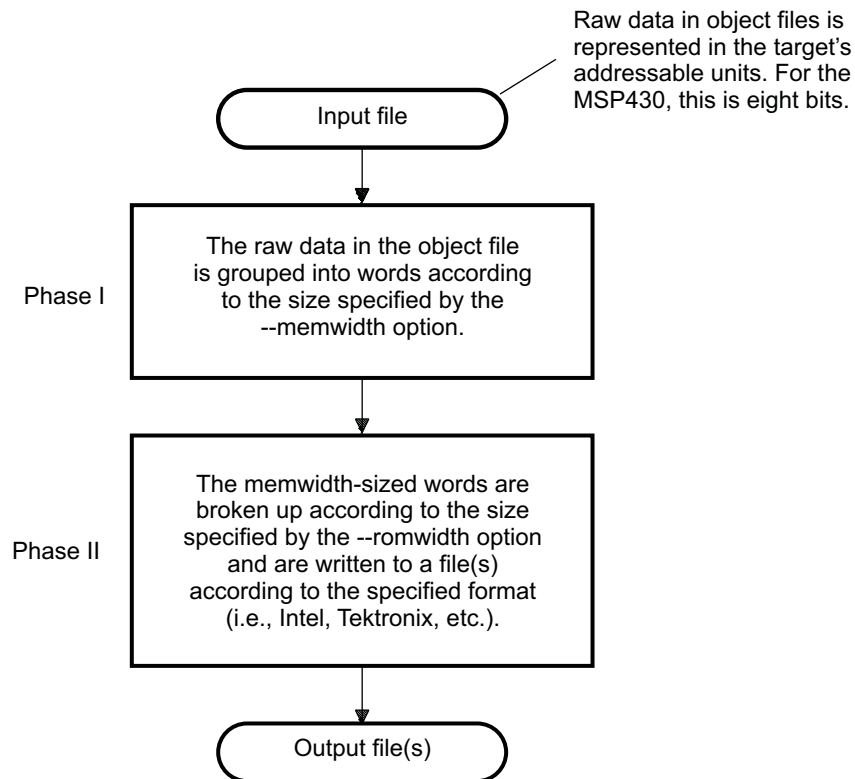
The hex conversion utility makes your memory architecture more flexible by allowing you to specify memory and ROM widths. To use the hex conversion utility, you must understand how the utility treats word widths. Three widths are important in the conversion process:

- Target width
- Memory width
- ROM width

The terms target word, memory word, and ROM word refer to a word of such a width.

Figure 12-2 illustrates the separate and distinct phases of the hex conversion utility's process flow.

**Figure 12-2. Hex Conversion Utility Process Flow**



### 12.3.1 Target Width

Target width is the unit size (in bits) of the target processor's word. The width is fixed for each target and cannot be changed. The MSP430 targets have a width of 16 bits.

### 12.3.2 Specifying the Memory Width

Memory width is the physical width (in bits) of the memory system. Usually, the memory system is physically the same width as the target processor width: a 16-bit processor has a 16-bit memory architecture. However, some applications require target words to be broken into multiple, consecutive, and narrower memory words.

By default, the hex conversion utility sets memory width to the target width (in this case, 16 bits).

You can change the memory width (except for TI-TXT and TI-Tagged formats) by:

- Using the **--memwidth** option. This changes the memory width value for the entire file.
- Setting the **memwidth** parameter of the ROMS directive. This changes the memory width value for the address range specified in the ROMS directive and overrides the --memwidth option for that range. See [Section 12.4](#).

For both methods, use a value that is a power of 2 greater than or equal to 8.

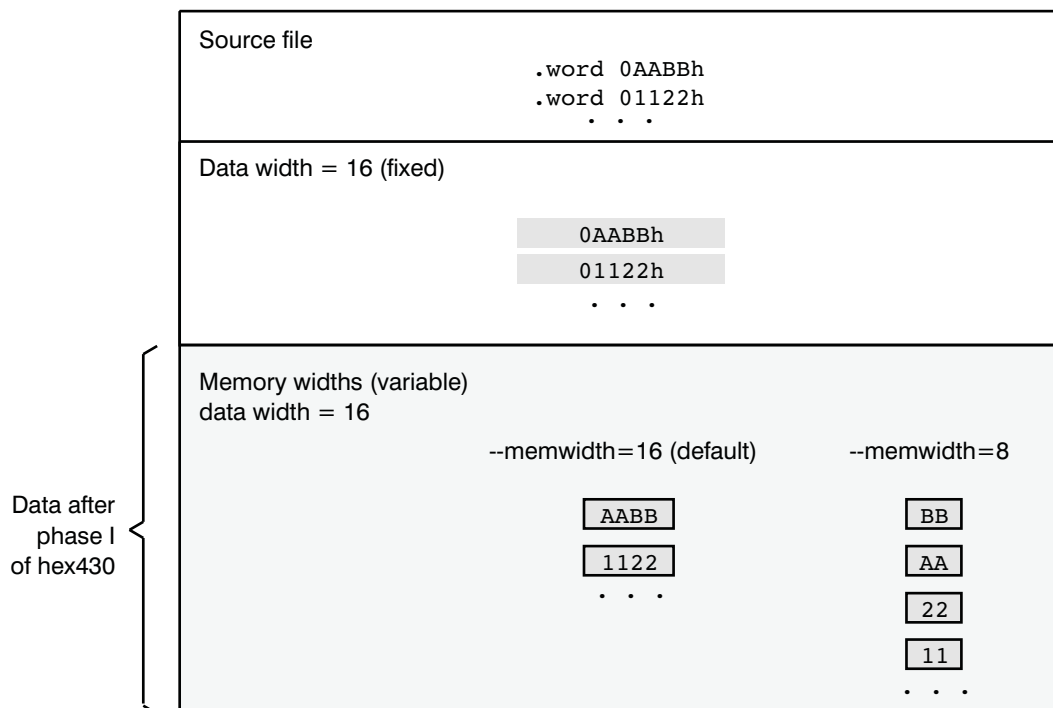
You should change the memory width default value of 16 only when you need to break single target words into consecutive, narrower memory words.

#### TI-TXT Format is 8 Bits Wide

**NOTE:** You cannot change the memory width of the TI-TXT format. The TI-TXT hex format supports an 8-bit memory width only. See [Section 12.13.6](#) for more about using the ROMS directive with the TI-TXT hex format.

Figure 12-3 demonstrates how the memory width is related to object file data.

**Figure 12-3. Object File Data and Memory Widths**



### 12.3.3 Partitioning Data Into Output Files

ROM width determines how the hex conversion utility partitions the data into output files. ROM width specifies the physical width (in bits) of each ROM device and corresponding output file (usually one byte or eight bits). After the object file data is mapped to the memory words, the memory words are broken into one or more output files. The number of output files is determined by the following formulas:

- If memory width  $\geq$  ROM width:  
number of files = memory width  $\div$  ROM width
- If memory width  $<$  ROM width:  
number of files = 1

For example, for a memory width of 16, you could specify a ROM width value of 16 and get a single output file containing 16-bit words. Or you can use a ROM width value of 8 to get two files, each containing 8 bits of each word.

The default ROM width that the hex conversion utility uses depends on the output format:

- All hex formats except TI-Tagged are configured as lists of 8-bit bytes; the default ROM width for these formats is 8 bits.
- TI-Tagged is a 16-bit format; the default ROM width for TI-Tagged is 16 bits.

---

#### The TI-Tagged Format is 16 Bits Wide

**NOTE:** You cannot change the ROM width of the TI-Tagged format. The TI-Tagged format supports a 16-bit ROM width only.

---



---

#### TI-TXT Format is 8 Bits Wide

**NOTE:** You cannot change the ROM width of the TI-TXT format. The TI-TXT hex format supports only an 8-bit ROM width. See [Section 12.13.6](#) for more about using the ROMS directive with the TI-TXT hex format.

---

You can change ROM width (except for TI-Tagged and TI-TXT formats) by:

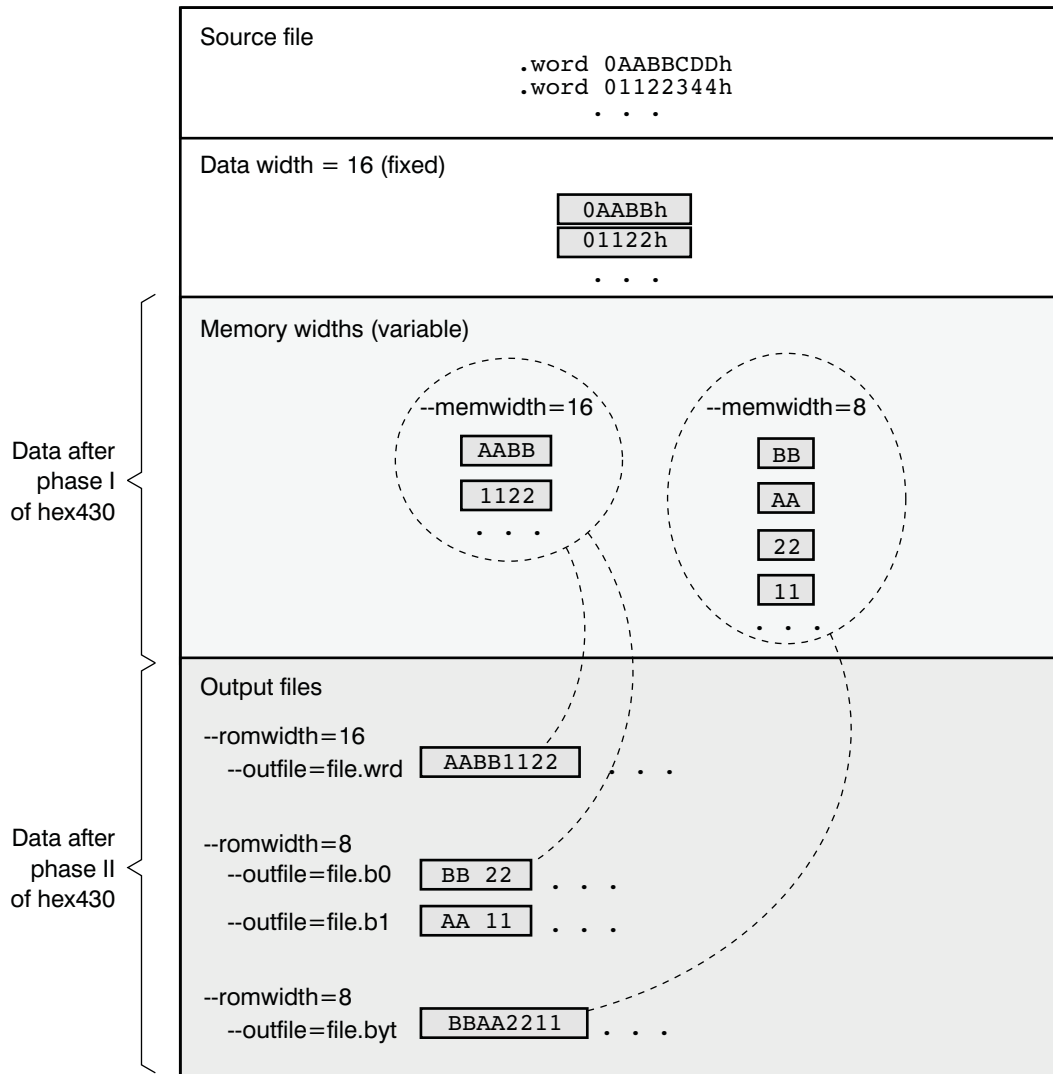
- Using the **--romwidth** option. This option changes the ROM width value for the entire object file.
- Setting the **romwidth** parameter of the ROMS directive. This parameter changes the ROM width value for a specific ROM address range and overrides the --romwidth option for that range. See [Section 12.4](#).

For both methods, use a value that is a power of 2 greater than or equal to 8.

If you select a ROM width that is wider than the natural size of the output format, the utility simply writes multibyte fields into the file. The --romwidth option is ignored for the TI-TXT and TI-Tagged formats.

Figure 12-4 illustrates how the object file data, memory, and ROM widths are related to one another.

**Figure 12-4. Data, Memory, and ROM Widths**



### 12.3.4 Specifying Word Order for Output Words

There are two ways to split a wide word into consecutive memory locations in the same hex conversion utility output file:

- **--order=MS** specifies **big-endian** ordering, in which the most significant part of the wide word occupies the first of the consecutive locations.
- **--order=LS** specifies **little-endian** ordering, in which the least significant part of the wide word occupies the first of the consecutive locations.

By default, the utility uses big-endian format. Unless your boot loader program expects little-endian format, avoid using `--order=LS`.

## 12.4 The ROMS Directive

The ROMS directive specifies the physical memory configuration of your system as a list of address-range parameters.

Each address range produces one set of files containing the hex conversion utility output data that corresponds to that address range. Each file can be used to program one single ROM device.

The ROMS directive is similar to the MEMORY directive of the MSP430 linker: both define the memory map of the target address space. Each line entry in the ROMS directive defines a specific address range. The general syntax is:

```

ROMS
{
    romname :    [origin=value,] [length=value,] [romwidth=value,]
                 [memwidth=value,] [fill=value]
                 [files={ filename1, filename2, ...}]
    romname :    [origin=value,] [length=value,] [romwidth=value,]
                 [memwidth=value,] [fill=value]
                 [files={ filename1, filename2, ...}]
    ...
}

```

**ROMS** begins the directive definition.

**romname** identifies a memory range. The name of the memory range can be one to eight characters in length. The name has no significance to the program; it simply identifies the range, except when the output is for a load image in which case it denotes the section name. (Duplicate memory range names are allowed.)

**origin** specifies the starting address of a memory range. It can be entered as origin, org, or o. The associated value must be a decimal, octal, or hexadecimal constant. If you omit the origin value, the origin defaults to 0. The following table summarizes the notation you can use to specify a decimal, octal, or hexadecimal constant:

Constant	Notation	Example
Hexadecimal	0x prefix or h suffix	0x77 or 077h
Octal	0 prefix	077
Decimal	No prefix or suffix	77

**length** specifies the length of a memory range as the physical length of the ROM device. It can be entered as length, len, or l. The value must be a decimal, octal, or hexadecimal constant. If you omit the length, it defaults to the length of the entire address space.

**romwidth** specifies the physical ROM width of the range in bits (see [Section 12.3.3](#)). Any value you specify here overrides the --romwidth option. The value must be a decimal, octal, or hexadecimal constant that is a power of 2 greater than or equal to 8.

**memwidth** specifies the memory width of the range in bits (see [Section 12.3.2](#)). Any value you specify here overrides the --memwidth option. The value must be a decimal, octal, or hexadecimal constant that is a power of 2 greater than or equal to 8. *When using the memwidth parameter, you must also specify the paddr parameter for each section in the SECTIONS directive. (See [Section 12.5](#).)*

**fill** specifies a fill value to use for the range. In image mode, the hex conversion utility uses this value to fill any holes between sections in a range. A hole is an area between the input sections that comprises an output section that contains no actual code or data. The fill value must be a decimal, octal, or hexadecimal constant with a width equal to the target width. Any value you specify here overrides the --fill option. When using fill, you must also use the --image command line option. (See [Section 12.9.2](#).)

**files** identifies the names of the output files that correspond to this range. Enclose the list of names in curly braces and order them from *least significant* to *most significant* output file, where the bits of the memory word are numbered from right to left. The number of file names must equal the number of output files that the range generates. To calculate the number of output files, see [Section 12.3.3](#). The utility warns you if you list too many or too few filenames.

Unless you are using the `--image` option, all of the parameters that define a range are optional; the commas and equal signs are also optional. A range with no origin or length defines the entire address space. In image mode, an origin and length are required for all ranges.

Ranges must not overlap and must be listed in order of ascending address.

### 12.4.1 When to Use the ROMS Directive

If you do not use a ROMS directive, the utility defines a single default range that includes the entire address space. This is equivalent to a ROMS directive with a single range without origin or length.

Use the ROMS directive when you want to:

- **Program large amounts of data into fixed-size ROMs.** When you specify memory ranges corresponding to the length of your ROMs, the utility automatically breaks the output into blocks that fit into the ROMs.
- **Restrict output to certain segments.** You can also use the ROMS directive to restrict the conversion to a certain segment or segments of the target address space. The utility does not convert the data that falls outside of the ranges defined by the ROMS directive. Sections can span range boundaries; the utility splits them at the boundary into multiple ranges. If a section falls completely outside any of the ranges you define, the utility does not convert that section and issues no messages or warnings. Thus, you can exclude sections without listing them by name with the `SECTIONS` directive. However, if a section falls partially in a range and partially in unconfigured memory, the utility issues a warning and converts only the part within the range.
- **Use image mode.** When you use the `--image` option, you must use a ROMS directive. Each range is filled completely so that each output file in a range contains data for the whole range. Holes before, between, or after sections are filled with the fill value from the ROMS directive, with the value specified with the `--fill` option, or with the default value of 0.

### 12.4.2 An Example of the ROMS Directive

The ROMS directive in [Example 12-1](#) shows how 16K bytes of 16-bit memory could be partitioned for two 8K-byte 8-bit EPROMs. [Figure 12-5](#) illustrates the input and output files.

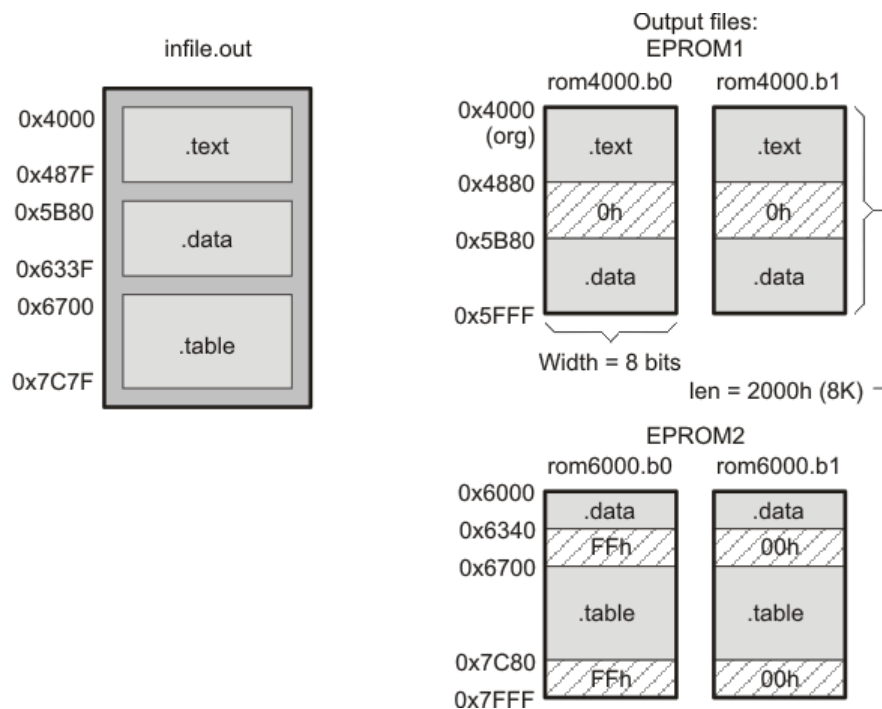
#### Example 12-1. A ROMS Directive Example

```
infile.out
--image
--memwidth 16

ROMS
{
    EPROM1: org = 0x4000, len = 0x2000, romwidth = 8
           files = { rom4000.b0, rom4000.b1}

    EPROM2: org = 0x6000, len = 0x2000, romwidth = 8,
           fill = 0xFF00,
           files = { rom6000.b0, rom6000.b1}
}
```

Figure 12-5. The infile.out File Partitioned Into Four Output Files



The map file (specified with the --map option) is advantageous when you use the ROMS directive with multiple ranges. The map file shows each range, its parameters, names of associated output files, and a list of contents (section names and fill values) broken down by address. [Example 12-2](#) is a segment of the map file resulting from the example in [Example 12-1](#).

**Example 12-2. Map File Output From [Example 12-1](#) Showing Memory Ranges**

```

-----
4000..5fff Page=0 Width=8 "EPROM1"
-----
OUTPUT FILES:  rom4000.b0  [b0..b7]
                rom4000.b1  [b8..b15]
CONTENTS: 4000..487f .text
          4880..5b7f FILL = 0000
          5b80..5fff .data
-----
6000..7fff Page=0 Width=8 "EPROM2"
-----
OUTPUT FILES:  rom6000.b0  [b0..b7]
                rom6000.b1  [b8..b15]
CONTENTS: 6000..633f .data
          6340..66ff FILL = ff00
          6700..7c7f .table
          7c80..7fff FILL = ff00

```

EPROM1 defines the address range from 0x4000 through 0x5FFF with the following sections:

This section ...	Has this range ...
.text	0x4000 through 0x487F
.data	0x5B80 through 0x5FFF

The rest of the range is filled with 0h (the default fill value), converted into two output files:

- rom4000.b0 contains bits 0 through 7
- rom4000.b1 contains bits 8 through 15

EPROM2 defines the address range from 0x6000 through 0x7FFF with the following sections:

This section ...	Has this range ...
.data	0x6000 through 0x633F
.table	0x6700 through 0x7C7F

The rest of the range is filled with 0xFF00 (from the specified fill value). The data from this range is converted into two output files:

- rom6000.b0 contains bits 0 through 7
- rom6000.b1 contains bits 8 through 15



## 12.5 The SECTIONS Directive

You can convert specific sections of the object file by name with the hex conversion utility SECTIONS directive. You can also specify those sections that you want to locate in ROM at a different address than the *load* address specified in the linker command file. If you:

- Use a SECTIONS directive, the utility converts only the sections that you list in the directive and ignores all other sections in the object file.
- Do not use a SECTIONS directive, the utility converts all initialized sections that fall within the configured memory.

Uninitialized sections are *never* converted, whether or not you specify them in a SECTIONS directive.

---

### Sections Generated by the C/C++ Compiler

**NOTE:** The MSP430 C/C++ compiler automatically generates these sections:

- **Initialized sections:** .text, .const, and .cinit
  - **Uninitialized sections:** .bss, .stack, and .systemem
- 

Use the SECTIONS directive in a command file. (See [Section 12.2.2](#).) The general syntax is:

```
SECTIONS
{
  oname(sname)[:][paddr=value][,]
  oname(sname)[:][paddr= value][,]
  ...
}
```

<b>SECTIONS</b>	begins the directive definition.
<i>oname</i>	identifies the object filename the section is located within. The filename is optional when only a single input file is given, but required otherwise.
<i>sname</i>	identifies a section in the input file. If you specify a section that does not exist, the utility issues a warning and ignores the name.
<b>paddr=value</b>	specifies the physical ROM address at which this section should be located. This value overrides the section load address given by the linker. This value must be a decimal, octal, or hexadecimal constant. <i>If your file contains multiple sections, and if one section uses a paddr parameter, then all sections must use a paddr parameter.</i>

For more similarity with the linker's SECTIONS directive, you can use colons after the section names. For example, the data in your application (section partB) must be loaded on the EPROM at address 0x0. Use the paddr option with the SECTIONS directive to specify this:

```
SECTIONS
{
  partB: paddr = 0x0
}
```

The commas separating section names are optional. For example, suppose the file contains six initialized sections: .text, .data, .const, .vectors, .coeff, and .tables. Suppose you want only .text and .data to be converted. Use a SECTIONS directive to specify this:

```
SECTIONS { .text, .data }
```

## 12.6 The Load Image Format (--load\_image Option)

A load image is an object file which contains the load addresses and initialized sections of one or more executable files. The load image object file can be used for ROM masking or can be relinked in a subsequent link step.

### 12.6.1 Load Image Section Formation

The load image sections are formed by collecting the initialized sections from the input executables. There are two ways the load image sections are formed:

- **Using the ROMS Directive.** Each memory range that is given in the ROMS directive denotes a load image section. The romname is the section name. The origin and length parameters are required. The memwidth, romwidth, and files parameters are invalid and are ignored.

When using the ROMS directive and the load\_image option, the --image option is required.

- **Default Load Image Section Formation.** If no ROMS directive is given, the load image sections are formed by combining contiguous initialized sections in the input executables. Sections with gaps smaller than the target word size are considered contiguous.

The default section names are image\_1, image\_2, ... If another prefix is desired, the --section\_name\_prefix=*prefix* option can be used.

### 12.6.2 Load Image Characteristics

All load image sections are initialized data sections. In the absence of a ROMS directive, the load/run address of the load image section is the load address of the first input section in the load image section. If the SECTIONS directive was used and a different load address was given using the paddr parameter, this address will be used.

The load image format always creates a single load image object file. The format of the load image object file is determined based on the input files. The file is not marked executable and does not contain an entry point. The default load image object file name is ti\_load\_image.obj. This can be changed using the --outfile option. Only one --outfile option is valid when creating a load image, all other occurrences are ignored.

---

#### Concerning Load Image Format

**NOTE:** These options are invalid when creating a load image:

- --memwidth
- --romwidth
- --order
- --zero
- --byte

If a boot table is being created, either using the SECTIONS directive or the --boot option, the ROMS directive must be used.

---

## 12.7 Excluding a Specified Section

The `--exclude section_name` option can be used to inform the hex utility to ignore the specified section. If a `SECTIONS` directive is used, it overrides the `--exclude` option.

For example, if a `SECTIONS` directive containing the section name `mysect` is used and an `--exclude mysect` is specified, the `SECTIONS` directive takes precedence and `mysect` is not excluded.

The `--exclude` option has a limited wildcard capability. The `*` character can be placed at the beginning or end of the name specifier to indicate a suffix or prefix, respectively. For example, `--exclude sect*` disqualifies all sections that begin with the characters `sect`.

If you specify the `--exclude` option on the command line with the `*` wildcard, use quotes around the section name and wildcard. For example, `--exclude"sect*"`. Using quotes prevents the `*` from being interpreted by the hex conversion utility. If `--exclude` is in a command file, do not use quotes.

If multiple object files are given, the object file in which the section to be excluded can be given in the form `oname(sname)`. If the object filename is not provided, all sections matching the section name are excluded. Wildcards cannot be used for the filename, but can appear within the parentheses.

## 12.8 Assigning Output Filenames

When the hex conversion utility translates your object file into a data format, it partitions the data into one or more output files. When multiple files are formed by splitting memory words into ROM words, *filenames are always assigned in order from least to most significant*, where bits in the memory words are numbered from right to left. This is true, regardless of target or endian ordering.

The hex conversion utility follows this sequence when assigning output filenames:

1. **It looks for the ROMS directive.** If a file is associated with a range in the `ROMS` directive and you have included a list of files (`files = { . . . }`) on that range, the utility takes the filename from the list.

For example, assume that the target data is 16-bit words being converted to two files, each eight bits wide. To name the output files using the `ROMS` directive, you could specify:

```
ROMS
{
    RANGE1: romwidth=8, files={ xyz.b0 xyz.b1 }
}
```

The utility creates the output files by writing the least significant bits to `xyz.b0` and the most significant bits to `xyz.b1`.

2. **It looks for the `--outfile` options.** You can specify names for the output files by using the `--outfile` option. If no filenames are listed in the `ROMS` directive and you use `--outfile` options, the utility takes the filename from the list of `--outfile` options. The following line has the same effect as the example above using the `ROMS` directive:

```
--outfile=xyz.b0 --outfile=xyz.b1
```

If both the `ROMS` directive and `--outfile` options are used together, the `ROMS` directive overrides the `--outfile` options.

3. **It assigns a default filename.** If you specify no filenames or fewer names than output files, the utility assigns a default filename. A default filename consists of the base name from the input file plus a 2- to 3-character extension. The extension has three parts:

- a. A format character, based on the output format (see [Section 12.13](#)):

<b>a</b>	for ASCII-Hex
<b>i</b>	for Intel
<b>m</b>	for Motorola-S
<b>t</b>	for TI-Tagged
<b>x</b>	for Tektronix

- b. The range number in the ROMS directive. Ranges are numbered starting with 0. If there is no ROMS directive, or only one range, the utility omits this character.
- c. The file number in the set of files for the range, starting with 0 for the least significant file.

For example, assume a.out is for a 16-bit target processor and you are creating Intel format output. With no output filenames specified, the utility produces two output files named a.i0, a.i1, a.i2, a.i3.

If you include the following ROMS directive when you invoke the hex conversion utility, you would have four output files:

```
ROMS
{
  range1: o = 0x1000 l = 0x1000
  range2: o = 0x2000 l = 0x1000
}
```

These output files ...	Contain data in these locations ...
a.i00 and a.i01	0x1000 through 0x1FFF
a.i10 and a.i11	0x2000 through 0x2FFF

## 12.9 Image Mode and the --fill Option

This section points out the advantages of operating in image mode and describes how to produce output files with a precise, continuous image of a target memory range.

### 12.9.1 Generating a Memory Image

With the --image option, the utility generates a memory image by completely filling all of the mapped ranges specified in the ROMS directive.

An object file consists of blocks of memory (sections) with assigned memory locations. Typically, all sections are not adjacent: there are holes between sections in the address space for which there is no data. When such a file is converted *without* the use of image mode, the hex conversion utility bridges these holes by using the address records in the output file to skip ahead to the start of the next section. In other words, there may be discontinuities in the output file addresses. Some EPROM programmers do not support address discontinuities.

In image mode, there are no discontinuities. Each output file contains a continuous stream of data that corresponds exactly to an address range in target memory. Any holes before, between, or after sections are filled with a fill value that you supply.

An output file converted by using image mode still has address records, because many of the hexadecimal formats require an address on each line. However, in image mode, these addresses are always contiguous.

---

#### Defining the Ranges of Target Memory

**NOTE:** If you use image mode, you must also use a ROMS directive. In image mode, each output file corresponds directly to a range of target memory. You must define the ranges. If you do not supply the ranges of target memory, the utility tries to build a memory image of the entire target processor address space. This is potentially a huge amount of output data. To prevent this situation, the utility requires you to explicitly restrict the address space with the ROMS directive.

---

### 12.9.2 Specifying a Fill Value

The `--fill` option specifies a value for filling the holes between sections. The fill value must be specified as an integer constant following the `--fill` option. The width of the constant is assumed to be that of a word on the target processor. For example, specifying `--fill=0x0FF`. The constant value is not sign extended.

The hex conversion utility uses a default fill value of 0 if you do not specify a value with the fill option. *The --fill option is valid only when you use --image; otherwise, it is ignored.*

### 12.9.3 Steps to Follow in Using Image Mode

- Step 1:** Define the ranges of target memory with a ROMS directive. See [Section 12.4](#).
- Step 2:** Invoke the hex conversion utility with the `--image` option. You can optionally use the `--zero` option to reset the address origin to 0 for each output file. If you do not specify a fill value with the ROMS directive and you want a value other than the default of 0, use the `--fill` option.

### 12.10 Array Output Format

The `--array` option causes the output to be generated in C array format. In this format, data contained in initialized sections of an executable file are defined as C arrays. Output arrays may be compiled along with a host program and used to initialize the target at runtime.

Arrays are formed by collecting the initialized sections from the input executable. There are two ways arrays are formed:

- **With the ROMS directive.** Each memory range that is given in the ROMS directive denotes an array. The *romname* is used as the array name. The *origin* and *length* parameters of the ROM directive are required. The *memwidth*, *romwidth*, and *files* parameters are invalid and are ignored.
- **No ROMS directive (default).** If no ROMS directive is given, arrays are formed by combining initialized sections within each page, beginning with the first initialized section. Arrays will reflect any gaps that exist between sections.

The default name for the array generated for `test.out` is `test_image_0`. The `--array:name_prefix` option can be used to override the default prefix for array names. For example, use `--array:name_prefix=myarray` to cause the name for the array to be `myarray_0`.

The data type for array elements is `uint8_t`.

### 12.11 Controlling the ROM Device Address

The hex conversion utility output address field corresponds to the ROM device address. The EPROM programmer burns the data into the location specified by the hex conversion utility output file address field. The hex conversion utility offers some mechanisms to control the starting address in ROM of each section. However, many EPROM programmers offer direct control of the location in ROM in which the data is burned.

The address field of the hex-conversion utility output file is controlled by the following items, which are listed from low to high priority:

1. **The linker command file.** By default, the address field of the hex conversion utility output file is the load address (as given in the linker command file).
2. **The `paddr` parameter of the SECTIONS directive.** When the `paddr` parameter is specified for a section, the hex conversion utility bypasses the section load address and places the section in the address specified by `paddr`.
3. **The `--zero` option.** When you use the `--zero` option, the utility resets the address origin to 0 for each output file. Since each file starts at 0 and counts upward, any address records represent offsets from the beginning of the file (the address within the ROM) rather than actual target addresses of the data. You must use the `--zero` option in conjunction with the `--image` option to force the starting address in each output file to be zero. If you specify the `--zero` option without the `--image` option, the utility issues a warning and ignores the `--zero` option.

## 12.12 Control Hex Conversion Utility Diagnostics

The hex conversion utility uses certain C/C++ compiler options to control hex-converter-generated diagnostics.

<b>--diag_error=<i>id</i></b>	Categorizes the diagnostic identified by <i>id</i> as an error. To determine the numeric identifier of a diagnostic message, use the <code>--display_error_number</code> option first in a separate link. Then use <code>--diag_error=<i>id</i></code> to recategorize the diagnostic as an error. You can only alter the severity of discretionary diagnostics.
<b>--diag_remark=<i>id</i></b>	Categorizes the diagnostic identified by <i>id</i> as a remark. To determine the numeric identifier of a diagnostic message, use the <code>--display_error_number</code> option first in a separate link. Then use <code>--diag_remark=<i>id</i></code> to recategorize the diagnostic as a remark. You can only alter the severity of discretionary diagnostics.
<b>--diag_suppress=<i>id</i></b>	Suppresses the diagnostic identified by <i>id</i> . To determine the numeric identifier of a diagnostic message, use the <code>--display_error_number</code> option first in a separate link. Then use <code>--diag_suppress=<i>id</i></code> to suppress the diagnostic. You can only suppress discretionary diagnostics.
<b>--diag_warning=<i>id</i></b>	Categorizes the diagnostic identified by <i>id</i> as a warning. To determine the numeric identifier of a diagnostic message, use the <code>--display_error_number</code> option first in a separate link. Then use <code>--diag_warning=<i>id</i></code> to recategorize the diagnostic as a warning. You can only alter the severity of discretionary diagnostics.
<b>--display_error_number</b>	Displays a diagnostic's numeric identifier along with its text. Use this option in determining which arguments you need to supply to the diagnostic suppression options ( <code>--diag_suppress</code> , <code>--diag_error</code> , <code>--diag_remark</code> , and <code>--diag_warning</code> ). This option also indicates whether a diagnostic is discretionary. A discretionary diagnostic is one whose severity can be overridden. A discretionary diagnostic includes the suffix <code>-D</code> ; otherwise, no suffix is present. See the <i>MSP430 Optimizing C/C++ Compiler User's Guide</i> for more information on understanding diagnostic messages.
<b>--issue_remarks</b>	Issues remarks (nonserious warnings), which are suppressed by default.
<b>--no_warnings</b>	Suppresses warning diagnostics (errors are still issued).
<b>--set_error_limit=<i>count</i></b>	Sets the error limit to <i>count</i> , which can be any decimal value. The linker abandons linking after this number of errors. (The default is 100.)
<b>--verbose_diagnostics</b>	Provides verbose diagnostics that display the original source with line-wrap and indicate the position of the error in the source line

## 12.13 Description of the Object Formats

The hex conversion utility has options that identify each format. Table 12-2 specifies the format options. They are described in the following sections.

- You should use only one of these options on the command line. If you use more than one option, the last one you list overrides the others.
- The default format is Tektronix (--tektronix option).

**Table 12-2. Options for Specifying Hex Conversion Formats**

Option	Alias	Format	Address Bits	Default Width
--ascii	-a	ASCII-Hex	16	8
--intel	-i	Intel	32	8
--motorola=1	-m1	Motorola-S1	16	8
--motorola=2	-m2	Motorola-S2	24	8
--motorola=3	-m3	Motorola-S3	32	8
--ti-tagged	-t	TI-Tagged	16	16
--ti_txt		TI_TXT	8	8
--tektronix	-x	Tektronix	32	8

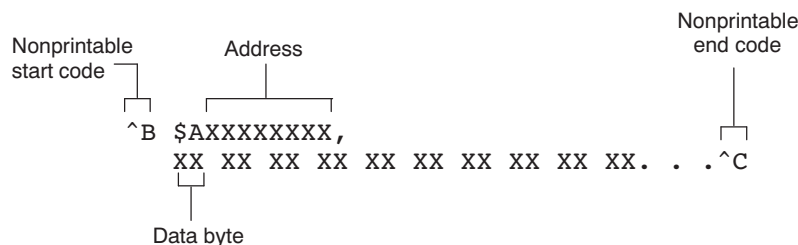
**Address bits** determine how many bits of the address information the format supports. Formats with 16-bit addresses support addresses up to 64K only. The utility truncates target addresses to fit in the number of available bits.

The **default width** determines the default output width of the format. You can change the default width by using the --romwidth option or by using the romwidth parameter in the ROMS directive. You cannot change the default width of the TI-Tagged format, which supports a 16-bit width only.

### 12.13.1 ASCII-Hex Object Format (--ascii Option)

The ASCII-Hex object format supports 16-bit addresses. The format consists of a byte stream with bytes separated by spaces. Figure 12-6 illustrates the ASCII-Hex format.

**Figure 12-6. ASCII-Hex Object Format**



The file begins with an ASCII STX character (ctrl-B, 02h) and ends with an ASCII ETX character (ctrl-C, 03h). Address records are indicated with \$XXXXXXXX, in which XXXXXXXX is a 8-digit (16-bit) hexadecimal address. The address records are present only in the following situations:

- When discontinuities occur
- When the byte stream does not begin at address 0

You can avoid all discontinuities and any address records by using the --image and --zero options. This creates output that is simply a list of byte values.

### 12.13.2 Intel MCS-86 Object Format (--intel Option)

The Intel object format supports 16-bit addresses and 32-bit extended addresses. Intel format consists of a 9-character (4-field) prefix (which defines the start of record, byte count, load address, and record type), the data, and a 2-character checksum suffix.

The 9-character prefix represents three record types:

Record Type	Description
00	Data record
01	End-of-file record
04	Extended linear address record

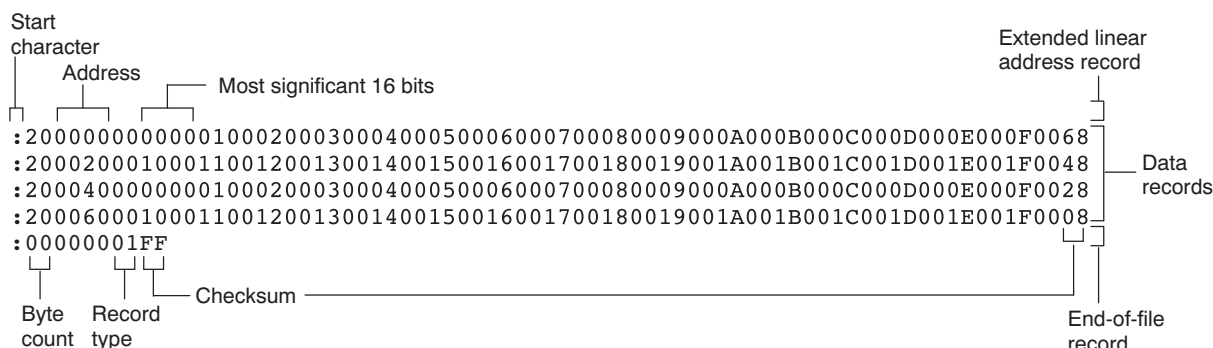
Record type 00, the data record, begins with a colon ( : ) and is followed by the byte count, the address of the first data byte, the record type (00), and the checksum. The address is the least significant 16 bits of a 32-bit address; this value is concatenated with the value from the most recent 04 (extended linear address) record to create a full 32-bit address. The checksum is the 2s complement (in binary form) of the preceding bytes in the record, including byte count, address, and data bytes.

Record type 01, the end-of-file record, also begins with a colon ( : ), followed by the byte count, the address, the record type (01), and the checksum.

Record type 04, the extended linear address record, specifies the upper 16 address bits. It begins with a colon ( : ), followed by the byte count, a dummy address of 0h, the record type (04), the most significant 16 bits of the address, and the checksum. The subsequent address fields in the data records contain the least significant bytes of the address.

Figure 12-7 illustrates the Intel hexadecimal object format.

**Figure 12-7. Intel Hexadecimal Object Format**







**12.13.4 Extended Tektronix Object Format (--tektronix Option)**

The Tektronix object format supports 32-bit addresses and has two types of records:

- Data records** contains the header field, the load address, and the object code.
- Termination records** signifies the end of a module.

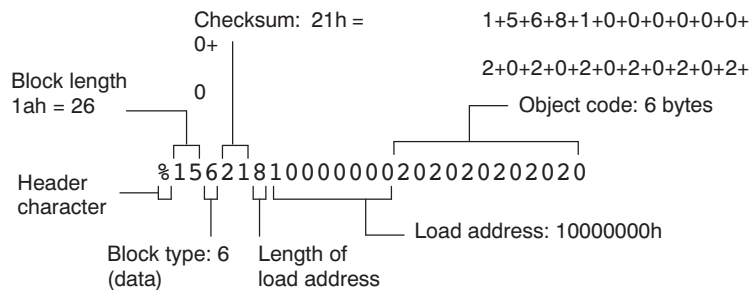
The header field in the data record contains the following information:

Item	Number of ASCII Characters	Description
%	1	Data type is Tektronix format
Block length	2	Number of characters in the record, minus the %
Block type	1	6 = data record 8 = termination record
Checksum	2	A 2-digit hex sum modulo 256 of all values in the record except the % and the checksum itself.

The load address in the data record specifies where the object code will be located. The first digit specifies the address length; this is always 8. The remaining characters of the data record contain the object code, two characters per byte.

Figure 12-9 illustrates the Tektronix object format.

**Figure 12-9. Extended Tektronix Object Format**



### 12.13.5 Texas Instruments SDSMAC (TI-Tagged) Object Format (--ti\_tagged Option)

The Texas Instruments SDSMAC (TI-Tagged) object format supports 16-bit addresses, including start-of-file record, data records, and end-of-file record. Each data records consists of a series of small fields and is signified by a tag character:

Tag Character	Description
K	Followed by the program identifier
7	Followed by a checksum
8	Followed by a dummy checksum (ignored)
9	Followed by a 16-bit load address
B	Followed by a data word (four characters)
F	Identifies the end of a data record
*	Followed by a data byte (two characters)

Figure 12-10 illustrates the tag characters and fields in TI-Tagged object format.

**Figure 12-10. TI-Tagged Object Format**



If any data fields appear before the first address, the first field is assigned address 0000h. Address fields may be expressed but not required for any data byte. The checksum field, preceded by the tag character 7, is the 2s complement of the sum of the 8-bit ASCII values of characters, beginning with the first tag character and ending with the checksum tag character (7 or 8). The end-of-file record is a colon (:).

### 12.13.6 TI-TXT Hex Format (--ti\_txt Option)

The TI-TXT hex format supports 8-bit hexadecimal data. It consists of section start addresses, data byte, and an end-of-file character. These restrictions apply:

- The number of sections is unlimited.
- Each hexadecimal start address must be even.
- Each line must have 8 data bytes, except the last line of a section.
- Data bytes are separated by a single space.
- The end-of-file termination tag q is mandatory.

Because the TI-TXT format supports only an 8-bit physical memory width and an 8-bit ROM width, the ROMS directive needs to have the origin and length specifications doubled when moving from a 16-bit format to an 8-bit format. If you receive a warning like the following, check the ROMS directive.

```
warning: section file.out(.data) at 07e00000h falls in unconfigured memory
```

For example, suppose the ROMS directive for a format that uses 16-bit ROM widths, such as ASCII-Hex with the --romwidth=16 option used, is as follows:

```
/* Memory counted as 16-bit words */
ROMS
{
    FLASH: origin=0x3f000000, length=0x1000
}
```

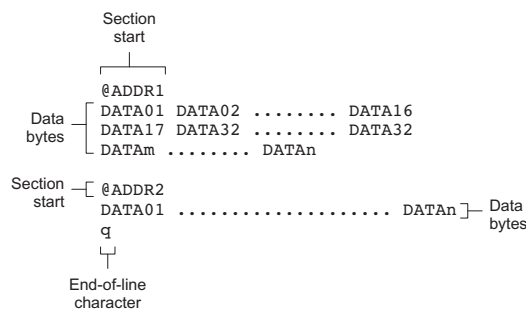
You would double the address and length in the ROMS directive when using an 8-bit ROM width:

```
/* Memory counted as 8-bit bytes */
ROMS
{
    FLASH: origin=0x7e000000, length=0x2000
}
```

The data record contains the following information:

Item	Description
@ADDR	Hexadecimal start address of a section
DATAn	Hexadecimal data byte
q	End-of-file termination character

Figure 12-11. TI-TXT Object Format



#### Example 12-3. TI-TXT Object Format

```
@F000
31 40 00 03 B2 40 80 5A 20 01 D2 D3 22 00 D2 E3
21 00 3F 40 E8 FD 1F 83 FE 23 F9 3F
@FFFE
00 F0
Q
```

---

---

## Sharing C/C++ Header Files With Assembly Source

---

---

You can use the `.cdecls` assembler directive to share C headers containing declarations and prototypes between C and assembly code. Any legal C/C++ can be used in a `.cdecls` block and the C/C++ declarations will cause suitable assembly to be generated automatically, allowing you to reference the C/C++ constructs in assembly code.

Topic	Page
<b>13.1 Overview of the <code>.cdecls</code> Directive .....</b>	<b>294</b>
<b>13.2 Notes on C/C++ Conversions .....</b>	<b>294</b>
<b>13.3 Notes on C++ Specific Conversions.....</b>	<b>298</b>
<b>13.4 Special Assembler Support .....</b>	<b>299</b>

## 13.1 Overview of the `.cdecls` Directive

The `.cdecls` directive allows programmers in mixed assembly and C/C++ environments to share C headers containing declarations and prototypes between the C and assembly code. Any legal C/C++ can be used in a `.cdecls` block and the C/C++ declarations will cause suitable assembly to be generated automatically. This allows the programmer to reference the C/C++ constructs in assembly code — calling functions, allocating space, and accessing structure members — using the equivalent assembly mechanisms. While function and variable definitions are ignored, most common C/C++ elements are converted to assembly: enumerations, (non function-like) macros, function and variable prototypes, structures, and unions.

See the [.cdecls directive](#) description for details on the syntax of the `.cdecls` assembler directive.

The `.cdecls` directive can appear anywhere in an assembly source file, and can occur multiple times within a file. However, the C/C++ environment created by one `.cdecls` is **not** inherited by a later `.cdecls`; the C/C++ environment starts over for each `.cdecls` instance.

For example, the following code causes the warning to be issued:

```
.cdecls C,NOLIST
%{
    #define ASMTEST 1
}%

.cdecls C,NOLIST
%{
    #ifndef ASMTEST
        #warn "ASMTEST not defined!" /* will be issued */
    #endif
}%
```

Therefore, a typical use of the `.cdecls` block is expected to be a single usage near the beginning of the assembly source file, in which all necessary C/C++ header files are included.

Use the compiler `--include_path=path` options to specify additional include file paths needed for the header files used in assembly, as you would when compiling C files.

Any C/C++ errors or warnings generated by the code of the `.cdecls` are emitted as they normally would for the C/C++ source code. C/C++ errors cause the directive to fail, and any resulting converted assembly is not included.

C/C++ constructs that cannot be converted, such as function-like macros or variable definitions, cause a comment to be output to the converted assembly file. For example:

```
; ASM HEADER WARNING - variable definition 'ABCD' ignored
```

The prefix `ASM HEADER WARNING` appears at the beginning of each message. To see the warnings, either the `WARN` parameter needs to be specified so the messages are displayed on `STDERR`, or else the `LIST` parameter needs to be specified so the warnings appear in the listing file, if any.

Finally, note that the converted assembly code does not appear in the same order as the original C/C++ source code and C/C++ constructs may be simplified to a normalized form during the conversion process, but this should not affect their final usage.

## 13.2 Notes on C/C++ Conversions

The following sections describe C and C++ conversion elements that you need to be aware of when sharing header files with assembly source.

### 13.2.1 Comments

Comments are consumed entirely at the C level, and do not appear in the resulting converted assembly file.

### 13.2.2 Conditional Compilation (#if/#else/#ifdef/etc.)

Conditional compilation is handled entirely at the C level during the conversion step. Define any necessary macros either on the command line (using the compiler `--define=name=value` option) or within a `.cdecls` block using `#define`. The `#if`, `#ifdef`, etc. C/C++ directives are **not** converted to assembly `.if`, `.else`, `.elseif`, and `.endif` directives.

### 13.2.3 Pragmas

Pragmas found in the C/C++ source code cause a warning to be generated as they are not converted. They have no other effect on the resulting assembly file. See [the .cdecls topic](#) for the `WARN` and `NOWARN` parameter discussion for where these warnings are created.

### 13.2.4 The #error and #warning Directives

These preprocessor directives are handled completely by the compiler during the parsing step of conversion. If one of these directives is encountered, the appropriate error or warning message is emitted. These directives are not converted to `.emsg` or `.wmsg` in the assembly output.

### 13.2.5 Predefined symbol `__ASM_HEADER__`

The C/C++ macro `__ASM_HEADER__` is defined in the compiler while processing code within `.cdecls`. This allows you to make changes in your code, such as not compiling definitions, during the `.cdecls` processing.

---

#### Be Careful With the `__ASM_HEADER__` Macro

**NOTE:** You must be very careful not to use this macro to introduce any changes in the code that could result in inconsistencies between the code processed while compiling the C/C++ source and while converting to assembly.

---

### 13.2.6 Usage Within C/C++ `asm( )` Statements

The `.cdecls` directive is not allowed within C/C++ `asm( )` statements and will cause an error to be generated.

### 13.2.7 The #include Directive

The C/C++ `#include` preprocessor directive is handled transparently by the compiler during the conversion step. Such `#includes` can be nested as deeply as desired as in C/C++ source. The assembly directives `.include` and `.copy` are not used or needed within a `.cdecls`. Use the command line `--include_path` option to specify additional paths to be searched for included files, as you would for C compilation.

### 13.2.8 Conversion of #define Macros

Only object-like macros are converted to assembly. Function-like macros have no assembly representation and so cannot be converted. Pre-defined and built-in C/C++ macros are not converted to assembly (i.e., `__FILE__`, `__TIME__`, `__TI_COMPILER_VERSION__`, etc.). For example, this code is converted to assembly because it is an object-like macro:

```
#define NAME Charley
```

This code is not converted to assembly because it is a function-like macro:

```
#define MAX(x,y) (x>y ? x : y)
```

Some macros, while they are converted, have no functional use in the containing assembly file. For example, the following results in the assembly substitution symbol `FOREVER` being set to the value `while(1)`, although this has no useful use in assembly because `while(1)` is not legal assembly code.

```
#define FOREVER while(1)
```

Macro values are **not** interpreted as they are converted. For example, the following results in the assembler substitution symbol `OFFSET` being set to the literal string value `5+12` and **not** the value `17`. This happens because the semantics of the C/C++ language require that macros are evaluated in context and not when they are parsed.

```
#define OFFSET 5+12
```

Because macros in C/C++ are evaluated in their usage context, C/C++ printf escape sequences such as `\n` are not converted to a single character in the converted assembly macro. See [Section 13.2.11](#) for suggestions on how to use C/C++ macro strings.

Macros are converted using the `.define` directive (see [Section 13.4.2](#)), which functions similarly to the `.asg` assembler directive. The exception is that `.define` disallows redefinitions of register symbols and mnemonics to prevent the conversion from corrupting the basic assembly environment. To remove a macro from the assembly scope, `.undef` can be used following the `.cdecls` that defines it (see [Section 13.4.3](#)).

The macro functionality of `#` (stringize operator) is only useful within functional macros. Since functional macros are not supported by this process, `#` is not supported either. The concatenation operator `##` is only useful in a functional context, but can be used degenerately to concatenate two strings and so it is supported in that context.

### 13.2.9 The #undef Directive

Symbols undefined using the `#undef` directive before the end of the `.cdecls` are not converted to assembly.

### 13.2.10 Enumerations

Enumeration members are converted to `.enum` elements in assembly. For example:

```
enum state { ACTIVE=0x10, SLEEPING=0x01, INTERRUPT=0x100, POWEROFF, LAST};
```

is converted to the following assembly code:

```
state      .enum
ACTIVE     .emember 16
SLEEPING   .emember 1
INTERRUPT  .emember 256
POWEROFF   .emember 257
LAST       .emember 258
           .endenum
```

The members are used via the pseudo-scoping created by the `.enum` directive.

The usage is similar to that for accessing structure members, `enum_name.member`.

This pseudo-scoping is used to prevent enumeration member names from corrupting other symbols within the assembly environment.

### 13.2.11 C Strings

Because C string escapes such as `\n` and `\t` are not converted to hex characters `0x0A` and `0x09` until their use in a string constant in a C/C++ program, C macros whose values are strings cannot be represented as expected in assembly substitution symbols. For example:

```
#define MSG "\tHI\n"
```

becomes, in assembly:

```
.define """\tHI\n"",MSG ; 6 quoted characters! not 5!
```

When used in a C string context, you expect this statement to be converted to 5 characters (tab, H, I, newline, NULL), but the `.string` assembler directive does not know how to perform the C escape conversions.

You can use the `.cstring` directive to cause the escape sequences and NULL termination to be properly handled as they would in C/C++. Using the above symbol `MSG` with a `.cstring` directive results in 5 characters of memory being allocated, the same characters as would result if used in a C/C++ string context. (See [Section 13.4.7](#) for the `.cstring` directive syntax.)



### 13.2.12 C/C++ Built-In Functions

The C/C++ built-in functions, such as `sizeof( )`, are not translated to their assembly counterparts, if any, if they are used in macros. Also, their C expression values are not inserted into the resulting assembly macro because macros are evaluated in context and there is no active context when converting the macros to assembly.

Suitable functions such as `$sizeof( )` are available in assembly expressions. However, as the basic types such as `int/char/float` have no type representation in assembly, there is no way to ask for `$sizeof(int)`, for example, in assembly.

### 13.2.13 Structures and Unions

C/C++ structures and unions are converted to assembly `.struct` and `.union` elements. Padding and ending alignments are added as necessary to make the resulting assembly structure have the same size and member offsets as the C/C++ source. The primary purpose is to allow access to members of C/C++ structures, as well as to facilitate debugging of the assembly code. For nested structures, the assembly `.tag` feature is used to refer to other structures/unions.

The alignment is also passed from the C/C++ source so that the assembly symbol is marked with the same alignment as the C/C++ symbol. (See [Section 13.2.3](#) for information about pragmas, which may attempt to modify structures.) Because the alignment of structures is stored in the assembly symbol, built-in assembly functions like `$sizeof( )` and `$alignof( )` can be used on the resulting structure name symbol.

When using unnamed structures (or unions) in typedefs, such as:

```
typedef struct { int a_member; } mystrname;
```

This is really a shorthand way of writing:

```
struct temporary_name { int a_member; };
typedef temporary_name mystrname;
```

The conversion processes the above statements in the same manner: generating a temporary name for the structure and then using `.define` to output a typedef from the temporary name to the user name. You should use your *mystrname* in assembly the same as you would in C/C++, but do not be confused by the assembly structure definition in the list, which contains the temporary name. You can avoid the temporary name by specifying a name for the structure, as in:

```
typedef struct a_st_name { ... } mystrname;
```

If a shorthand method is used in C to declare a variable with a particular structure, for example:

```
extern struct a_name { int a_member; } a_variable;
```

Then after the structure is converted to assembly, a `.tag` directive is generated to declare the structure of the external variable, such as:

```
_a_variable .tag a_st_name
```

This allows you to refer to `_a_variable.a_member` in your assembly code.

### 13.2.14 Function/Variable Prototypes

Non-static function and variable prototypes (not definitions) will result in a `.global` directive being generated for each symbol found.

See [Section 13.3.1](#) for C++ name mangling issues.

Function and variable definitions will result in a warning message being generated (see the `WARN/NOWARN` parameter discussion for where these warnings are created) for each, and they will not be represented in the converted assembly.

The assembly symbol representing the variable declarations will not contain type information about those symbols. Only a `.global` will be issued for them. Therefore, it is your responsibility to ensure the symbol is used appropriately.

See [Section 13.2.13](#) for information on variables names which are of a structure/union type.

### 13.2.15 C Constant Suffixes

The C constant suffixes u, l, and f are passed to the assembly unchanged. The assembler will ignore these suffixes if used in assembly expressions.

### 13.2.16 Basic C/C++ Types

Only complex types (structures and unions) in the C/C++ source code are converted to assembly. Basic types such as int, char, or float are not converted or represented in assembly beyond any existing .int, .char, .float, etc. directives that previously existed in assembly. Typedefs of basic types are therefore also not represented in the converted assembly.

## 13.3 Notes on C++ Specific Conversions

The following sections describe C++ specific conversion elements that you need to be aware of when sharing header files with assembly source.

### 13.3.1 Name Mangling

C++ compilers use *name mangling* to avoid conflicts between identically named functions and variables. If name mangling were not used, symbol name clashes can occur.

You can use the demangler (dem430) to demangle names and identify the correct symbols to use in assembly. See the "C++ Name Demangler" chapter of the *MSP430 Optimizing C/C++ Compiler User's Guide* for details.

To defeat name mangling in C++ for symbols where polymorphism (calling a function of the same name with different kinds of arguments) is not required, use the following syntax:

```
extern "C" void somefunc(int arg);
```

The above format is the short method for declaring a single function. To use this method for multiple functions, you can also use the following syntax:

```
extern "C"
{
    void somefunc(int arg);
    int  anotherfunc(int arg);
    ...
}
```

### 13.3.2 Derived Classes

Derived classes are only partially supported when converting to assembly because of issues related to C++ scoping which does not exist in assembly. The greatest difference is that base class members do not automatically become full (top-level) members of the derived class. For example:

```
class base
{
    public:
        int b1;
};

class derived : public base
{
    public:
        int d1;
}
```

In C++ code, the class derived would contain both integers b1 and d1. In the converted assembly structure "derived", the members of the base class must be accessed using the name of the base class, such as derived.\_\_b\_base.b1 rather than the expected derived.b1.

A non-virtual, non-empty base class will have \_\_b\_ prepended to its name within the derived class to signify it is a base class name. That is why the example above is derived.\_\_b\_base.b1 and not simply derived.base.b1.

### 13.3.3 Templates

No support exists for templates.

### 13.3.4 Virtual Functions

No support exists for virtual functions, as they have no assembly representation.

## 13.4 Special Assembler Support

### 13.4.1 Enumerations (*.enum/.emember/.endenum*)

The following directives support a pseudo-scoping for enumerations:

```

ENUM_NAME      .enum
MEMBER1        .emember [value]
MEMBER2        .emember [value]
...
                .endenum
  
```

The **.enum** directive begins the enumeration definition and **.endenum** terminates it.

The enumeration name (*ENUM\_NAME*) cannot be used to allocate space; its size is reported as zero.

To use a member's value, the format is *ENUM\_NAME.MEMBER*, similar to using a structure member.

The **.emember** directive optionally accepts the value to set the member to, just as in C/C++. If not specified, the member takes a value one more than the previous member. As in C/C++, member names cannot be duplicated, although values can be. Unless specified with **.emember**, the first enumeration member will be given the value 0 (zero), as in C/C++.

The **.endenum** directive cannot be used with a label, as structure **.endstruct** directives can, because the **.endenum** directive has no value like the **.endstruct** does (containing the size of the structure).

Conditional compilation directives (**.if/.else/.elseif/.endif**) are the only other non-enumeration code allowed within the **.enum/.endenum** sequence.

### 13.4.2 The *.define* Directive

The **.define** directive functions in the same manner as the **.asg** directive, except that **.define** disallows creation of a substitution symbol that has the same name as a register symbol or mnemonic. It does not create a new symbol name space in the assembler, rather it uses the existing substitution symbol name space. The syntax for the directive is:

```
.define substitution string , substitution symbol name
```

The **.define** directive is used to prevent corruption of the assembly environment when converting C/C++ headers.

### 13.4.3 The *.undefine/.unasg* Directives

The **.undef** directive is used to remove the definition of a substitution symbol created using **.define** or **.asg**. This directive will remove the named symbol from the substitution symbol table from the point of the **.undef** to the end of the assembly file. The syntax for these directives is:

```
.undefine substitution symbol name
```

```
.unasg substitution symbol name
```

This can be used to remove from the assembly environment any C/C++ macros that may cause a problem. Also see [Section 13.4.2](#), which covers the **.define** directive.

### 13.4.4 The `$defined( )` Built-In Function

The `$defined` directive returns true/1 or false/0 depending on whether the name exists in the current substitution symbol table or the standard symbol table. In essence `$defined` returns TRUE if the assembler has any user symbol in scope by that name. This differs from `$isdefed` in that `$isdefed` only tests for NON-substitution symbols. The syntax is:

**`$defined( substitution symbol name )`**

A statement such as ".if `$defined(macroname)`" is then similar to the C code "#ifdef `macroname`".

See [Section 13.4.2](#) and [Section 13.4.3](#) for the use of `.define` and `.undef` in assembly.

### 13.4.5 The `$sizeof` Built-In Function

The assembly built-in function `$sizeof( )` can be used to query the size of a structure in assembly. It is an alias for the already existing `$structsz( )`. The syntax is:

**`$sizeof( structure name )`**

The `$sizeof` function can then be used similarly to the C built-in function `sizeof( )`.

The assembler's `$sizeof( )` built-in function cannot be used to ask for the size of basic C/C++ types, such as `$sizeof(int)`, because those basic type names are not represented in assembly. Only complex types are converted from C/C++ to assembly.

Also see [Section 13.2.12](#), which notes that this conversion does not happen automatically if the C/C++ `sizeof( )` built-in function is used within a macro.

### 13.4.6 Structure/Union Alignment and `$alignof( )`

The assembly `.struct` and `.union` directives take an optional second argument which can be used to specify a minimum alignment to be applied to the symbol name. This is used by the conversion process to pass the specific alignment from C/C++ to assembly.

The assembly built-in function `$alignof( )` can be used to report the alignment of these structures. This can be used even on assembly structures, and the function will return the minimum alignment calculated by the assembler.

### 13.4.7 The `.cstring` Directive

You can use the `.cstring` directive to cause the escape sequences and NULL termination to be properly handled as they would in C/C++.

```
.cstring "String with C escapes.\nWill be NULL terminated.\012"
```

See [Section 13.2.11](#) for more information on the `.cstring` directive.

## Symbolic Debugging Directives

---

---

The assembler supports several directives that the MSP430 C/C++ compiler uses for symbolic debugging.

These directives are not meant for use by assembly-language programmers. They require arguments that can be difficult to calculate manually, and their usage must conform to a predetermined agreement between the compiler, the assembler, and the debugger. This appendix documents these directives for informational purposes only.

Topic	Page
A.1 DWARF Debugging Format .....	302
A.2 Debug Directive Syntax .....	302

## A.1 DWARF Debugging Format

A subset of the DWARF symbolic debugging directives are always listed in the assembly language file that the compiler creates for program analysis purposes. To list the complete set used for full symbolic debug, invoke the compiler with the `--symdebug:dwarf` option, as shown below:

```
cl430 --symdebug:dwarf --keep_asm input_file
```

The `--keep_asm` option instructs the compiler to retain the generated assembly file.

To disable the generation of all symbolic debug directives, invoke the compiler with the `-symdebug:none` option:

```
cl430 --symdebug:none --keep_asm input_file
```

The DWARF debugging format consists of the following directives:

- The **.dwtag** and **.dwendtag** directives define a Debug Information Entry (DIE) in the `.debug_info` section.
- The **.dwattr** directive adds an attribute to an existing DIE.
- The **.dwpsn** directive identifies the source position of a C/C++ statement.
- The **.dwcie** and **.dwentry** directives define a Common Information Entry (CIE) in the `.debug_frame` section.
- The **.dwfde** and **.dwentry** directives define a Frame Description Entry (FDE) in the `.debug_frame` section.
- The **.dwcfi** directive defines a call frame instruction for a CIE or FDE.

## A.2 Debug Directive Syntax

[Table A-1](#) is an alphabetical listing of the symbolic debugging directives. For information on the C/C++ compiler, refer to the *MSP430 Optimizing C/C++ Compiler User's Guide*.

**Table A-1. Symbolic Debugging Directives**

Label	Directive	Arguments
	<b>.dwattr</b>	<i>DIE label</i> , <i>DIE attribute name ( DIE attribute value )</i> [, <i>DIE attribute name ( attribute value )</i> [, ...]
	<b>.dwcfi</b>	<i>call frame instruction opcode</i> [, <i>operand</i> [, <i>operand</i> ]]
<i>CIE label</i>	<b>.dwcie</b>	<i>version</i> , <i>return address register</i>
	<b>.dwentry</b>	
	<b>.dwendtag</b>	
	<b>.dwfde</b>	<i>CIE label</i>
	<b>.dwpsn</b>	" <i>filename</i> " , <i>line number</i> , <i>column number</i>
<i>DIE label</i>	<b>.dwtag</b>	<i>DIE tag name</i> , <i>DIE attribute name ( DIE attribute value )</i> [, <i>DIE attribute name ( attribute value )</i> [, ...]

## XML Link Information File Description

---

---

The MSP430 linker supports the generation of an XML link information file via the `--xml_link_info file` option. This option causes the linker to generate a well-formed XML file containing detailed information about the result of a link. The information included in this file includes all of the information that is currently produced in a linker-generated map file.

As the linker evolves, the XML link information file may be extended to include additional information that could be useful for static analysis of linker results.

This appendix enumerates all of the elements that are generated by the linker into the XML link information file.

Topic	Page
<b>B.1 XML Information File Element Types</b> .....	<b>304</b>
<b>B.2 Document Elements</b> .....	<b>304</b>

## B.1 XML Information File Element Types

These element types will be generated by the linker:

- **Container elements** represent an object that contains other elements that describe the object. Container elements have an id attribute that makes them accessible from other elements.
- **String elements** contain a string representation of their value.
- **Constant elements** contain a 32-bit unsigned long representation of their value (with a 0x prefix).
- **Reference elements** are empty elements that contain an idref attribute that specifies a link to another container element.

In [Section B.2](#), the element type is specified for each element in parentheses following the element description. For instance, the <link\_time> element lists the time of the link execution (string).

## B.2 Document Elements

The root element, or the document element, is **<link\_info>**. All other elements contained in the XML link information file are children of the <link\_info> element. The following sections describe the elements that an XML information file can contain.

### B.2.1 Header Elements

The first elements in the XML link information file provide general information about the linker and the link session:

- The **<banner>** element lists the name of the executable and the version information (string).
- The **<copyright>** element lists the TI copyright information (string).
- The **<link\_time>** is a timestamp representation of the link time (unsigned 32-bit int).
- The **<output\_file>** element lists the name of the linked output file generated (string).
- The **<entry\_point>** element specifies the program entry point, as determined by the linker (container) with two entries:
  - The **<name>** is the entry point symbol name, if any (string).
  - The **<address>** is the entry point address (constant).

#### Example B-1. Header Element for the hi.out Output File

```

<banner>TMS320Cxx Linker           Version x.xx (Jan 6 2008)</banner>
<copyright>Copyright (c) 1996-2008 Texas Instruments Incorporated</copyright>
<link_time>0x43dfd8a4</link_time>
<output_file>hi.out</output_file>
<entry_point>
  <name>_c_int00</name>
  <address>0xaf80</address>
</entry_point>

```



## B.2.2 Input File List

The next section of the XML link information file is the input file list, which is delimited with a **<input\_file\_list>** container element. The **<input\_file\_list>** can contain any number of **<input\_file>** elements.

Each **<input\_file>** instance specifies the input file involved in the link. Each **<input\_file>** has an **id** attribute that can be referenced by other elements, such as an **<object\_component>**. An **<input\_file>** is a container element enclosing the following elements:

- The **<path>** element names a directory path, if applicable (string).
- The **<kind>** element specifies a file type, either archive or object (string).
- The **<file>** element specifies an archive name or filename (string).
- The **<name>** element specifies an object file name, or archive member name (string).

### Example B-2. Input File List for the *hi.out* Output File

```

<input_file_list>
  <input_file id="f1-1">
    <kind>object</kind>
    <file>hi.obj</file>
    <name>hi.obj</name>
  </input_file>
  <input_file id="f1-2">
    <path>/tools/lib/</path>
    <kind>archive</kind>
    <file>rtsxxx.lib</file>
    <name>boot.obj</name>
  </input_file>
  <input_file id="f1-3">
    <path>/tools/lib/</path>
    <kind>archive</kind>
    <file>rtsxxx.lib</file>
    <name>exit.obj</name>
  </input_file>
  <input_file id="f1-4">
    <path>/tools/lib/</path>
    <kind>archive</kind>
    <file>rtsxxx.lib</file>
    <name>printf.obj</name>
  </input_file>
  ...
</input_file_list>

```

### B.2.3 Object Component List

The next section of the XML link information file contains a specification of all of the object components that are involved in the link. An example of an object component is an input section. In general, an object component is the smallest piece of object that can be manipulated by the linker.

The **<object\_component\_list>** is a container element enclosing any number of **<object\_component>** elements.

Each **<object\_component>** specifies a single object component. Each **<object\_component>** has an **id** attribute so that it can be referenced directly from other elements, such as a **<logical\_group>**. An **<object\_component>** is a container element enclosing the following elements:

- The **<name>** element names the object component (string).
- The **<load\_address>** element specifies the load-time address of the object component (constant).
- The **<run\_address>** element specifies the run-time address of the object component (constant).
- The **<size>** element specifies the size of the object component (constant).
- The **<input\_file\_ref>** element specifies the source file where the object component originated (reference).

#### Example B-3. Object Component List for the fl-4 Input File

```

<object_component id="oc-20">
  <name>.text</name>
  <load_address>0xac0</load_address>
  <run_address>0xac0</run_address>
  <size>0xc0</size>
  <input_file_ref idref="fl-4"/>
</object_component>
<object_component id="oc-21">
  <name>.data</name>
  <load_address>0x8000000</load_address>
  <run_address>0x8000000</run_address>
  <size>0x0</size>
  <input_file_ref idref="fl-4"/>
</object_component>
<object_component id="oc-22">
  <name>.bss</name>
  <load_address>0x8000000</load_address>
  <run_address>0x8000000</run_address>
  <size>0x0</size>
  <input_file_ref idref="fl-4"/>
</object_component>

```

## B.2.4 Logical Group List

The **<logical\_group\_list>** section of the XML link information file is similar to the output section listing in a linker-generated map file. However, the XML link information file contains a specification of GROUP and UNION output sections, which are not represented in a map file. There are three kinds of list items that can occur in a **<logical\_group\_list>**:

- The **<logical\_group>** is the specification of a section or GROUP that contains a list of object components or logical group members. Each **<logical\_group>** element is given an id so that it may be referenced from other elements. Each **<logical\_group>** is a container element enclosing the following elements:
  - The **<name>** element names the logical group (string).
  - The **<load\_address>** element specifies the load-time address of the logical group (constant).
  - The **<run\_address>** element specifies the run-time address of the logical group (constant).
  - The **<size>** element specifies the size of the logical group (constant).
  - The **<contents>** element lists elements contained in this logical group (container). These elements refer to each of the member objects contained in this logical group:
    - The **<object\_component\_ref>** is an object component that is contained in this logical group (reference).
    - The **<logical\_group\_ref>** is a logical group that is contained in this logical group (reference).
- The **<overlay>** is a special kind of logical group that represents a UNION, or a set of objects that share the same memory space (container). Each **<overlay>** element is given an id so that it may be referenced from other elements (like from an **<allocated\_space>** element in the placement map). Each **<overlay>** contains the following elements:
  - The **<name>** element names the overlay (string).
  - The **<run\_address>** element specifies the run-time address of overlay (constant).
  - The **<size>** element specifies the size of logical group (constant).
  - The **<contents>** container element lists elements contained in this overlay. These elements refer to each of the member objects contained in this logical group:
    - The **<object\_component\_ref>** is an object component that is contained in this logical group (reference).
    - The **<logical\_group\_ref>** is a logical group that is contained in this logical group (reference).
- The **<split\_section>** is another special kind of logical group that represents a collection of logical groups that is split among multiple memory areas. Each **<split\_section>** element is given an id so that it may be referenced from other elements. The id consists of the following elements.
  - The **<name>** element names the split section (string).
  - The **<contents>** container element lists elements contained in this split section. The **<logical\_group\_ref>** elements refer to each of the member objects contained in this split section, and each element referenced is a logical group that is contained in this split section (reference).

**Example B-4. Logical Group List for the fl-4 Input File**

```

<logical_group_list>
  ...
  <logical_group id="lg-7">
    <name>.text</name>
    <load_address>0x20</load_address>
    <run_address>0x20</run_address>
    <size>0xb240</size>
    <contents>
      <object_component_ref idref="oc-34"/>
      <object_component_ref idref="oc-108"/>
      <object_component_ref idref="oc-e2"/>
      ...
    </contents>
  </logical_group>
  ...
  <overlay id="lg-b">
    <name>UNION_1</name>
    <run_address>0xb600</run_address>
    <size>0xc0</size>
    <contents>
      <object_component_ref idref="oc-45"/>
      <logical_group_ref idref="lg-8"/>
    </contents>
  </overlay>
  ...
  <split_section id="lg-12">
    <name>.task_scn</name>
    <size>0x120</size>
    <contents>
      <logical_group_ref idref="lg-10"/>
      <logical_group_ref idref="lg-11"/>
    </contents>
  ...
</logical_group_list>

```

## B.2.5 Placement Map

The **<placement\_map>** element describes the memory placement details of all named memory areas in the application, including unused spaces between logical groups that have been placed in a particular memory area.

The **<memory\_area>** is a description of the placement details within a named memory area (container). The description consists of these items:

- The **<name>** names the memory area (string).
- The **<page\_id>** gives the id of the memory page in which this memory area is defined (constant).
- The **<origin>** specifies the beginning address of the memory area (constant).
- The **<length>** specifies the length of the memory area (constant).
- The **<used\_space>** specifies the amount of allocated space in this area (constant).
- The **<unused\_space>** specifies the amount of available space in this area (constant).
- The **<attributes>** lists the RWXI attributes that are associated with this area, if any (string).
- The **<fill\_value>** specifies the fill value that is to be placed in unused space, if the fill directive is specified with the memory area (constant).
- The **<usage\_details>** lists details of each allocated or available fragment in this memory area. If the fragment is allocated to a logical group, then a **<logical\_group\_ref>** element is provided to facilitate access to the details of that logical group. All fragment specifications include **<start\_address>** and **<size>** elements.
  - The **<allocated\_space>** element provides details of an allocated fragment within this memory area (container):
    - The **<start\_address>** specifies the address of the fragment (constant).
    - The **<size>** specifies the size of the fragment (constant).
    - The **<logical\_group\_ref>** provides a reference to the logical group that is allocated to this fragment (reference).
  - The **<available\_space>** element provides details of an available fragment within this memory area (container):
    - The **<start\_address>** specifies the address of the fragment (constant).
    - The **<size>** specifies the size of the fragment (constant).

### Example B-5. Placement Map for the fl-4 Input File

```

<placement_map>
  <memory_area>
    <name>PMEM</name>
    <page_id>0x0</page_id>
    <origin>0x20</origin>
    <length>0x100000</length>
    <used_space>0xb240</used_space>
    <unused_space>0xf4dc0</unused_space>
    <attributes>RWXI</attributes>
    <usage_details>
      <allocated_space>
        <start_address>0x20</start_address>
        <size>0xb240</size>
        <logical_group_ref idref="lg-7" />
      </allocated_space>
      <available_space>
        <start_address>0xb260</start_address>
        <size>0xf4dc0</size>
      </available_space>
    </usage_details>
  </memory_area>
  ...
</placement_map>

```

## B.2.6 Far Call Trampoline List

The `<far_call_trampoline_list>` is a list of `<far_call_trampoline>` elements. The linker supports the generation of far call trampolines to help a call site reach a destination that is out of range. A far call trampoline function is guaranteed to reach the called function (callee) as it may utilize an indirect call to the called function.

The `<far_call_trampoline_list>` enumerates all of the far call trampolines that are generated by the linker for a particular link. The `<far_call_trampoline_list>` can contain any number of `<far_call_trampoline>` elements. Each `<far_call_trampoline>` is a container enclosing the following elements:

- The `<callee_name>` element names the destination function (string).
- The `<callee_address>` is the address of the called function (constant).
- The `<trampoline_object_component_ref>` is a reference to an object component that contains the definition of the trampoline function (reference).
- The `<trampoline_address>` is the address of the trampoline function (constant).
- The `<caller_list>` enumerates all call sites that utilize this trampoline to reach the called function (container).
  - The `<trampoline_call_site>` provides the details of a trampoline call site (container) and consists of these items:
    - The `<caller_address>` specifies the call site address (constant).
    - The `<caller_object_component_ref>` is the object component where the call site resides (reference).

### Example B-6. Fall Call Trampoline List for the fl-4 Input File

```

<far_call_trampoline_list>
...
  <far_call_trampoline>
    <callee_name>_foo</callee_name>
    <callee_address>0x08000030</callee_address>
    <trampoline_object_component_ref idref="oc-123" />
    <trampoline_address>0x2020</trampoline_address>
    <caller_list>
      <call_site>
        <caller_address>0x1800</caller_address>
        <caller_object_component_ref idref="oc-23" />
      </call_site>
      <call_site>
        <caller_address>0x1810</caller_address>
        <caller_object_component_ref idref="oc-23" />
      </call_site>
    </caller_list>
  </far_call_trampoline>
...
</far_call_trampoline_list>
    
```

### **B.2.7 Symbol Table**

The **<symbol\_table>** contains a list of all of the global symbols that are included in the link. The list provides information about a symbol's name and value. In the future, the `symbol_table` list may provide type information, the object component in which the symbol is defined, storage class, etc.

The **<symbol>** is a container element that specifies the name and value of a symbol with these elements:

- The **<name>** element specifies the symbol name (string).
- The **<value>** element specifies the symbol value (constant).

#### **Example B-7. Symbol Table for the *fl-4* Input File**

```

<symbol_table>
  <symbol>
    <name>_c_int00</name>
    <value>0xaf80</value>
  </symbol>
  <symbol>
    <name>_main</name>
    <value>0xb1e0</value>
  </symbol>
  <symbol>
    <name>_printf</name>
    <value>0xac00</value>
  </symbol>
  ...
</symbol_table>

```

## CRC Reference Implementation

---



---

This appendix contains source code in C for a reference implementation of a CRC calculation routine that is compatible with the linker-generated CRC tables ([Section C.1](#)). This code is found in the file labeled `ref_crc.c`.

This appendix also contains source code for a simple example application using linker-generated CRC tables and copy tables [Section C.2](#). The application contains several tasks which share a common run area. Linker-generated copy tables move the tasks from their load addresses to the run address. The application also uses the reference CRC calculation routine to compute CRC values which are compared against the linker-generated values.

This code is for reference only, and no warranty is made as to its suitability for any purpose.

Topic	Page
<b>C.1 Reference CRC Calculation Routine.....</b>	<b>313</b>
<b>C.2 Linker-Generated Copy Tables and CRC Tables .....</b>	<b>316</b>



## C.1 Reference CRC Calculation Routine

To run a stand-alone test of the reference implementation of CRC computation, follow these steps:

1. Create a CCS project with an empty main.c file.
2. Copy the contents of example\_c1.c ([Example C-1](#)) to the main.c file.
3. Create a crc\_tbl.h file in the project, and copy the contents of [Example 8-29](#) to that file.
4. Build and test the project. You should see the following printf() statement results:

```
CRC_32_PRIME: 74b85ade
CRC_8_PRIME: 10
CRC16_802_15_4: b83d
```

### **Example C-1. Reference Implementation of a CRC Calculation Function: example\_c1.c**

```

/*****
/* Reference implementation of a CRC calculation function          */
/* gen_crc is the interface function which should be called from the  */
/* application. There is also a stand-alone test mode that can be used  */
/* if _RUN_MAIN is defined.                                          */
/*****
/*-----*/
/* This file does NOT implement a general-purpose CRC function.      */
/* Specifically, it does not handle parameterization by initial value, bit  */
/* reflection, or final XOR value. This implementation is intended only to  */
/* implement the CRC functions used by the linker for MSP430 CRC tables. The  */
/* algorithms used by the linker are selected to match the CRC algorithms in  */
/* the PRIME and IEEE 802.15.4-2006 standards. MSP430 crc hardware supports  */
/* CRC16_802_15_4 (CRC_CCITT). To understand CRCs in general, especially  */
/* what other parameters exist, see:                                    */
/*                                                                     */
/* "A Painless Guide To CRC Error Detection Algorithms" likely at:    */
/* http://www.ross.net/crc/download/crc_v3.txt                        */
/* Author : Ross Williams (ross@guest.adelaide.edu.au.).           */
/* Date : 3 June 1993.                                             */
/* Status : Public domain (C code).                                */
/*-----*/
#include <msp430.h>
#include <stdio.h>
#include <stdlib.h>
#include <limits.h>

/*-----*/
/* These are the CRC algorithms supported by the linker. MPS430 crc hardware  */
/* supports CRC16_802_15_4 (CRC_CCITT). These must match the values in  */
/* crc_tbl.h                                                         */
/*-----*/
#define CRC32_PRIME 0
#define CRC16_802_15_4 1
#define CRC16_ALT 2
#define CRC8_PRIME 3
typedef struct crc_config_t
{
    int id;
    int degree;
    unsigned long poly;
} crc_config_t;

const crc_config_t crc_config[] =
{
    { CRC32_PRIME, 32, 0x04c11db7 },
    { CRC16_802_15_4, 16, 0x1021 },
    { CRC16_ALT, 16, 0x8005 },
    { CRC8_PRIME, 8, 0x07 }
};

```

**Example C-1. Reference Implementation of a CRC Calculation Function: example\_c1.c (continued)**

```

unsigned long crc_table[256] = { 0 };

const crc_config_t *find_config(int id) {
    size_t i;
    for (i = 0; i < sizeof(crc_config) / sizeof(*crc_config); i++)
        if (crc_config[i].id == id)
            return &crc_config[i];
    fprintf(stderr, "invalid config id %d\n", id);
    exit(EXIT_FAILURE);
    return NULL;
}

/*-----*/
/* Table-driven version */
/*-----*/
unsigned long generate_mask(int degree)
{
    unsigned long half = (1ul << (degree / 2)) - 1;
    return half << (degree / 2) | half;
}

void generate_crc_table(const crc_config_t *config)
{
    int i, j;
    unsigned long bit, crc;
    unsigned long high_bit = (1ul << (config->degree - 1));
    unsigned long mask = generate_mask(config->degree);
    for (i = 0; i < 256; i++)
    {
        crc = (unsigned long)i << config->degree - 8;
        for (j = 0; j < 8; j++)
        {
            bit = crc & high_bit;
            crc <<= 1;
            if (bit) crc ^= config->poly;
        }
        crc_table[i] = crc & mask;
    }
}

/*****
/* gen_crc - Return the CRC value for the data using the given CRC algorithm */
/* int id : identifies the CRC algorithm */
/* char *data : the data */
/* size_t len : the size of the data */
*****/
unsigned long gen_crc(int id, const unsigned char *data, size_t len)
{
    /*-----*/
    /* Note: this is not a general-purpose CRC function. It does not handle */
    /* parameterization by initial value, bit reflection, or final XOR */
    /* value. This CRC function is specialized to the CRC algorithms in the */
    /* linker used for MSP430 CRC tables. */
    /*-----*/
    /* This CRC function is not intended to be optimal; it is written such */
    /* that it works and generates the same result on all 8-bit and 16-bit */
    /* targets, including MSP430, other TI DSPs, and typical desktops. */
    /*-----*/

    const crc_config_t *config = find_config(id);
    unsigned long crc = 0;
    unsigned long mask = generate_mask(config->degree);
    size_t i;
    generate_crc_table(config);

```

**Example C-1. Reference Implementation of a CRC Calculation Function: example\_c1.c (continued)**

```

for (i = 0; i < len; i++)
{
    unsigned int datum = data[i];
    /*-----*/
    /* This loop handles 16-bit chars when we compile on 16-bit machines. */
    /*-----*/
    int n;
    for (n = 0; n < (CHAR_BIT / 8); n++)
    {
        unsigned long octet = ((datum >> (8 * n)) & 0xff);
        unsigned long term1 = (crc << 8);
        int idx = ((crc >> (config->degree - 8)) & 0xff) ^ octet;
        crc = term1 ^ crc_table[idx];
    }
}
return crc & mask;
}

/*****
/* main - If requested, compute the CRC of test data using each algorithm. */
*****/
int main(void)
{
    const unsigned char data[] = { 0, 'a', 0, 'b', 0, 'c', 0, 'd' };

    /* CRC_8_PRIME: 0x70          */
    /* CRC_16_802: 0x1bd3       */
    /* CRC_32_PRIME: 0x4beab53b */
    const unsigned char *p = (const unsigned char *)data;
    unsigned long crc;
    crc = gen_crc(CRC32_PRIME, p, sizeof data);
    printf("CRC_32_PRIME: %08lx\n", crc);
    crc = gen_crc(CRC8_PRIME, p, sizeof data);
    printf("CRC_8_PRIME: %02lx\n", crc);
    crc = gen_crc(CRC16_802_15_4, p, sizeof data);
    printf("CRC16_802_15_4: %04lx\n", crc);

    return 0;
}

```

## C.2 Linker-Generated Copy Tables and CRC Tables

In this example, three tasks exist in separate load areas. As each is needed, it is copied into the common run area and executed. A separate copy table is generated for each task (see `table()` operator in `ex1.cmd`). CRC values for the task functions are verified as well. See [Example C-7](#) for the `crc_table()` operator calls.

To run a simple example that uses copy tables and CRC tables, follow these steps:

1. Create a CCS project with an empty `main.c` file.
2. Create following files in the project and copy code into the files from the following examples:
  - `main.c` ([Example C-2](#))
  - `crc_tbl.h` ([Example 8-29](#))
  - `check_crc.c` ([Example C-3](#))
  - `ref_crc.c` ([Example C-1](#))
  - `task1.c` ([Example C-4](#))
  - `task2.c` ([Example C-5](#))
  - `task3.c` ([Example C-6](#))
3. Edit the linker command file (`*.cmd`) provided for your target in the CCS project. Add the UNION statement in [Example C-7](#) to the SECTION directives in the file.
4. Build and test the project. You should see the result: "Copy table and CRC tasks PASSED".

### Example C-2. Main Routine for Example Application: `main.c`

```

#include <msp430.h>
#include <stdio.h>
#include <cpy_tbl.h>
#include <crc_tbl.h>

extern COPY_TABLE task1_ctbl;
extern COPY_TABLE task2_ctbl;
extern COPY_TABLE task3_ctbl;

extern CRC_TABLE task1_crctbl;
extern CRC_TABLE union_crctbl;

/* copy_in -      provided by the RTS library to copy code from its load      */
/*              address to its run address.                                  */
/* my_check_CRC - verify that the CRC values stored in the given table        */
/*              match the computed value at run time, using load address.    */
/* taskX -       perform a simple task. These routines share the same run address */
extern void      copy_in(COPY_TABLE *tp);
extern unsigned int my_check_CRC(CRC_TABLE *tp);
extern void      task1(void);
extern void      task2(void);
extern void      task3(void);

int x = 0;

main()
{
    unsigned int ret_val = 0;
    unsigned int CRC_ok  = 1;

    printf("Start task copy test with CRC checking.\n");

    printf("Check CRC of task1 section.\n");
    ret_val = my_check_CRC(&task1_crctbl);
    if (ret_val == 1)
        printf("\nPASSED: CRCs for task1_crc_tbl match.\n");
    else

```

**Example C-2. Main Routine for Example Application: main.c (continued)**

```

    {
        CRC_ok = 0;
        printf("\nFAILED: CRCs for task1_crc_tbl do NOT match.\n");
    }

    /* Copy task1 into the run area and execute it. */
    copy_in(&task1_ctbl);
    task1();

    printf("Check CRC of UNION.\n");
    if ((ret_val = my_check_CRC(&union_crctbl)) == 1)
        printf("\nPASSED: CRCs for union_crc_tbl match.\n");
    else
    {
        CRC_ok = 0;
        printf("\nFAILED: CRCs for union_crc_tbl do NOT match.\n");
    }
    copy_in(&task2_ctbl);
    task2();
    copy_in(&task3_ctbl);
    task3();

    printf("Copy table and CRC tasks %s!!\n",
        ((CRC_ok == 1 && x == 6) ? "PASSED" : "FAILED"));
}

```

**Example C-3. Checking CRC Values: check\_crc.c**

```

#include <stdio.h>
#include <crc_tbl.h>

/* gen_crc() - computes the CRC value of data using the CRC algorithm ID
/*             specified. Found in ref_crc.c
unsigned long gen_crc(int id, const unsigned char *data, size_t len);

unsigned int my_check_CRC(CRC_TABLE *tp)
{
    int i;
    unsigned int ret_val = 1;
    uint32_t my_crc;

    printf("\n\nTABLE INFO: rec size=%d, num_rec=%d.",
        tp->rec_size, tp->num_recs);

    for (i = 0; i < tp->num_recs; i++)
    {
        CRC_RECORD crc_rec = tp->recs[i];

        /* COMPUTE CRC OF DATA STARTING AT crc_rec.addr
        /* FOR crc_rec.size UNITS. USE
        /* crc_rec.crc_alg_ID to select algorithm.
        /* COMPARE COMPUTED VALUE TO crc_rec.crc_value.
        my_crc = gen_crc(crc_rec.crc_alg_ID, (unsigned char *)crc_rec.addr,
            crc_rec.size);

#ifdef __LARGE_CODE_MODEL__ && !defined(__LARGE_DATA_MODEL__)
        printf("\nCRC record: alg=%x, addr=%lx, size=%lx, crc=%lx, my_crc=%x.",
            crc_rec.crc_alg_ID,
            crc_rec.addr,
            crc_rec.size,
            crc_rec.crc_value,
            my_crc);

```

**Example C-3. Checking CRC Values: check\_crc.c (continued)**

```

#else
    printf("\nCRC record: alg=%x, addr=%x, size=%x, crc=%lx, my_crc=%lx.",
          crc_rec.crc_alg_ID,
          crc_rec.addr,
          crc_rec.size,
          crc_rec.crc_value,
          my_crc);
#endif

    if (my_crc == crc_rec.crc_value)
        printf("\nCRCs match for record %d.\n", i);
    else
    {
        ret_val = 0;
        printf("\nCRCs DO NOT match for record %d.\n", i);
    }
}
return ret_val;
}

```

**Example C-4. Task1 Routine: task1.c**

```

#include <stdio.h>

extern int x;

#pragma CODE_SECTION(task1, ".task1_scn")
void task1(void) { printf("hit task1, x is %d\n", x); x += 1; }

```

**Example C-5. Task2 Routine: task2.c**

```

#include <stdio.h>

extern int x;

#pragma CODE_SECTION(task2, ".task2_scn")
void task2(void) { printf("hit task2, x is %d\n", x); x += 2; }

```

**Example C-6. Task3 Routine: task3.c**

```

#include <stdio.h>

extern int x;

#pragma CODE_SECTION(task3, ".task3_scn")
void task3(void) { printf("hit task3, x is %d\n", x); x += 3; }

```

**Example C-7. Command File Addition**

```

UNION
{
    .task2_scn: load = FLASH, table(_task2_ctbl)
    .task3_scn: load = FLASH, table(_task3_ctbl)
    .task1_scn: load = FLASH, table(_task1_ctbl), crc_table(_task1_crctbl)
} run = FLASH2, crc_table(_union_crctbl, algorithm=CRC16_802_15_4)

```

---

---

## Glossary

---

---

### D.1 Terminology

**ABI** — Application binary interface.

**absolute address** — An address that is permanently assigned to a MSP430 memory location.

**absolute constant expression** — An expression that does not refer to any external symbols or any registers or memory reference. The value of the expression must be knowable at assembly time.

**absolute lister** — A debugging tool that allows you to create assembler listings that contain absolute addresses.

**address constant expression** — A symbol with a value that is an address plus an addend that is an absolute constant expression with an integer value.

**alignment** — A process in which the linker places an output section at an address that falls on an  $n$ -byte boundary, where  $n$  is a power of 2. You can specify alignment with the SECTIONS linker directive.

**allocation** — A process in which the linker calculates the final memory addresses of output sections.

**ANSI** — American National Standards Institute; an organization that establishes standards voluntarily followed by industries.

**archive library** — A collection of individual files grouped into a single file by the archiver.

**archiver** — A software program that collects several individual files into a single file called an archive library. With the archiver, you can add, delete, extract, or replace members of the archive library.

**ASCII** — American Standard Code for Information Interchange; a standard computer code for representing and exchanging alphanumeric information.

**assembler** — A software program that creates a machine-language program from a source file that contains assembly language instructions, directives, and macro definitions. The assembler substitutes absolute operation codes for symbolic operation codes and absolute or relocatable addresses for symbolic addresses.

**assembly-time constant** — A symbol that is assigned a constant value with the .set directive.

**big endian** — An addressing protocol in which bytes are numbered from left to right within a word. More significant bytes in a word have lower numbered addresses. Endian ordering is hardware-specific and is determined at reset. See also *little endian*

**binding** — A process in which you specify a distinct address for an output section or a symbol.

**BIS** — Bit instruction set.

**block** — A set of statements that are grouped together within braces and treated as an entity.

**.bss section** — One of the default object file sections. You use the assembler .bss directive to reserve a specified amount of space in the memory map that you can use later for storing data. The .bss section is uninitialized.

**byte** — Per ANSI/ISO C, the smallest addressable unit that can hold a character.

- C/C++ compiler** — A software program that translates C source statements into assembly language source statements.
- command file** — A file that contains options, filenames, directives, or commands for the linker or hex conversion utility.
- comment** — A source statement (or portion of a source statement) that documents or improves readability of a source file. Comments are not compiled, assembled, or linked; they have no effect on the object file.
- compiler program** — A utility that lets you compile, assemble, and optionally link in one step. The compiler runs one or more source modules through the compiler (including the parser, optimizer, and code generator), the assembler, and the linker.
- conditional processing** — A method of processing one block of source code or an alternate block of source code, according to the evaluation of a specified expression.
- configured memory** — Memory that the linker has specified for allocation.
- constant** — A type whose value cannot change.
- constant expression** — An expression that does not in any way refer to a register or memory reference.
- cross-reference lister** — A utility that produces an output file that lists the symbols that were defined, what file they were defined in, what reference type they are, what line they were defined on, which lines referenced them, and their assembler and linker final values. The cross-reference lister uses linked object files as input.
- cross-reference listing** — An output file created by the assembler that lists the symbols that were defined, what line they were defined on, which lines referenced them, and their final values.
- .data section** — One of the default object file sections. The .data section is an initialized section that contains initialized data. You can use the .data directive to assemble code into the .data section.
- directives** — Special-purpose commands that control the actions and functions of a software tool (as opposed to assembly language instructions, which control the actions of a device).
- DWARF** — A standardized debugging data format that was originally designed along with ELF, although it is independent of the object file format.
- EABI** — An embedded application binary interface (ABI) that provides standards for file formats, data types, and more.
- ELF** — Executable and linking format; a system of object files configured according to the System V Application Binary Interface specification.
- emulator** — A hardware development system that duplicates the MSP430 operation.
- entry point** — A point in target memory where execution starts.
- environment variable** — A system symbol that you define and assign to a string. Environmental variables are often included in Windows batch files or UNIX shell scripts such as .cshrc or .profile.
- epilog** — The portion of code in a function that restores the stack and returns.
- executable module** — A linked object file that can be executed in a target system.
- expression** — A constant, a symbol, or a series of constants and symbols separated by arithmetic operators.
- external symbol** — A symbol that is used in the current program module but defined or declared in a different program module.
- field** — For the MSP430, a software-configurable data type whose length can be programmed to be any value in the range of 1-16 bits.



- global symbol** — A symbol that is either defined in the current module and accessed in another, or accessed in the current module but defined in another.
- GROUP** — An option of the SECTIONS directive that forces specified output sections to be allocated contiguously (as a group).
- hex conversion utility** — A utility that converts object files into one of several standard ASCII hexadecimal formats, suitable for loading into an EPROM programmer.
- high-level language debugging** — The ability of a compiler to retain symbolic and high-level language information (such as type and function definitions) so that a debugging tool can use this information.
- hole** — An area between the input sections that compose an output section that contains no code.
- identifier** — Names used as labels, registers, and symbols.
- immediate operand** — An operand whose value must be a constant expression.
- incremental linking** — Linking files in several passes. Incremental linking is useful for large applications, because you can partition the application, link the parts separately, and then link all of the parts together.
- initialization at load time** — An autoinitialization method used by the linker when linking C/C++ code. The linker uses this method when you invoke it with the `--ram_model` link option. This method initializes variables at load time instead of run time.
- initialized section** — A section from an object file that will be linked into an executable module.
- input section** — A section from an object file that will be linked into an executable module.
- ISO** — International Organization for Standardization; a worldwide federation of national standards bodies, which establishes international standards voluntarily followed by industries.
- label** — A symbol that begins in column 1 of an assembler source statement and corresponds to the address of that statement. A label is the only assembler statement that can begin in column 1.
- linker** — A software program that combines object files to form an object module that can be allocated into system memory and executed by the device.
- listing file** — An output file, created by the assembler, that lists source statements, their line numbers, and their effects on the section program counter (SPC).
- literal constant** — A value that represents itself. It may also be called a *literal* or an *immediate value*.
- little endian** — An addressing protocol in which bytes are numbered from right to left within a word. More significant bytes in a word have higher numbered addresses. Endian ordering is hardware-specific and is determined at reset. See also *big endian*.
- loader** — A device that places an executable module into system memory.
- macro** — A user-defined routine that can be used as an instruction.
- macro call** — The process of invoking a macro.
- macro definition** — A block of source statements that define the name and the code that make up a macro.
- macro expansion** — The process of inserting source statements into your code in place of a macro call.
- macro library** — An archive library composed of macros. Each file in the library must contain one macro; its name must be the same as the macro name it defines, and it must have an extension of `.asm`.
- map file** — An output file, created by the linker, that shows the memory configuration, section composition, section allocation, symbol definitions and the addresses at which the symbols were defined for your program.

- member** — The elements or variables of a structure, union, archive, or enumeration.
- memory map** — A map of target system memory space that is partitioned into functional blocks.
- memory reference operand** — An operand that refers to a location in memory using a target-specific syntax.
- mnemonic** — An instruction name that the assembler translates into machine code.
- model statement** — Instructions or assembler directives in a macro definition that are assembled each time a macro is invoked.
- named section** — An initialized section that is defined with a `.sect` directive.
- object file** — An assembled or linked file that contains machine-language object code.
- object library** — An archive library made up of individual object files.
- object module** — A linked, executable object file that can be downloaded and executed on a target system.
- operand** — An argument of an assembly language instruction, assembler directive, or macro directive that supplies information to the operation performed by the instruction or directive.
- optimizer** — A software tool that improves the execution speed and reduces the size of C programs.
- options** — Command-line parameters that allow you to request additional or specific functions when you invoke a software tool.
- output module** — A linked, executable object file that is downloaded and executed on a target system.
- output section** — A final, allocated section in a linked, executable module.
- partial linking** — Linking files in several passes. Incremental linking is useful for large applications because you can partition the application, link the parts separately, and then link all of the parts together.
- quiet run** — An option that suppresses the normal banner and the progress information.
- raw data** — Executable code or initialized data in an output section.
- register operand** — A special pre-defined symbol that represents a CPU register.
- relocatable constant expression** — An expression that refers to at least one external symbol, register, or memory location. The value of the expression is not known until link time.
- relocation** — A process in which the linker adjusts all the references to a symbol when the symbol's address changes.
- ROM width** — The width (in bits) of each output file, or, more specifically, the width of a single data value in the hex conversion utility file. The ROM width determines how the utility partitions the data into output files. After the target words are mapped to memory words, the memory words are broken into one or more output files. The number of output files is determined by the ROM width.
- run address** — The address where a section runs.
- run-time-support library** — A library file, `rts.src`, that contains the source for the run time-support functions.
- section** — A relocatable block of code or data that ultimately will be contiguous with other sections in the memory map.
- section program counter (SPC)** — An element that keeps track of the current location within a section; each section has its own SPC.
- sign extend** — A process that fills the unused MSBs of a value with the value's sign bit.

- simulator** — A software development system that simulates MSP430 operation.
- source file** — A file that contains C/C++ code or assembly language code that is compiled or assembled to form an object file.
- static variable** — A variable whose scope is confined to a function or a program. The values of static variables are not discarded when the function or program is exited; their previous value is resumed when the function or program is reentered.
- storage class** — An entry in the symbol table that indicates how to access a symbol.
- string table** — A table that stores symbol names that are longer than eight characters (symbol names of eight characters or longer cannot be stored in the symbol table; instead they are stored in the string table). The name portion of the symbol's entry points to the location of the string in the string table.
- structure** — A collection of one or more variables grouped together under a single name.
- subsection** — A relocatable block of code or data that ultimately will occupy continuous space in the memory map. Subsections are smaller sections within larger sections. Subsections give you tighter control of the memory map.
- symbol** — A name that represents an address or a value.
- symbolic constant** — A symbol with a value that is an absolute constant expression.
- symbolic debugging** — The ability of a software tool to retain symbolic information that can be used by a debugging tool such as an emulator or simulator.
- tag** — An optional *type* name that can be assigned to a structure, union, or enumeration.
- target memory** — Physical memory in a system into which executable object code is loaded.
- .text section** — One of the default object file sections. The .text section is initialized and contains executable code. You can use the .text directive to assemble code into the .text section.
- unconfigured memory** — Memory that is not defined as part of the memory map and cannot be loaded with code or data.
- uninitialized section** — A object file section that reserves space in the memory map but that has no actual contents. These sections are built with the .bss and .usect directives.
- UNION** — An option of the SECTIONS directive that causes the linker to allocate the same address to multiple sections.
- union** — A variable that can hold objects of different types and sizes.
- unsigned value** — A value that is treated as a nonnegative number, regardless of its actual sign.
- variable** — A symbol representing a quantity that can assume any of a set of values.
- well-defined expression** — A term or group of terms that contains only symbols or assembly-time constants that have been defined before they appear in the expression.
- word** — A 16-bit addressable location in target memory

## Revision History

### E.1 Recent Revisions

This table lists significant changes made to this document. The left column identifies the first version of this document in which a particular change appeared.

Version Added	Chapter	Location	Additions / Modifications / Deletions
SLAU131V	Program Loading	<a href="#">Section 3.3.2.3</a>	Corrected information about RAM and ROM model use of CINIT for initialization.
SLAU131V	Linker	<a href="#">Section 8.4</a>	Added documentation for <code>--unused_section_elimination</code> , which was missing.
SLAU131V	Linker	<a href="#">Section 8.4.24</a>	Clarified that either <code>--rom_model</code> or <code>--ram_model</code> is required if only the linker is being run, but <code>--rom_model</code> is the default if the compiler runs on C/C++ files on the same command line.
SLAU131V	Linker	<a href="#">Section 8.4.35</a>	Clarified that zero initialization takes place only if the <code>--rom_model</code> linker option is used, not if the <code>--ram_model</code> option is used.
SLAU131V	Linker	<a href="#">Section 8.5.4.2</a> , <a href="#">Section 8.5.10.7</a> , and <a href="#">Section 8.5.10.8</a>	Added LAST operator to define a symbol with the run-time address of the last allocated byte in the related memory range.
SLAU131V	Hex Conversion Utility	<a href="#">Section 12.13.6</a>	Provided example showing the effects of 8-bit memory width vs. 16-bit memory width on the ROMS directive syntax.
<b>Previous Revisions:</b>			
SLAU131U		-- throughout --	The default file extensions for object files created by the compiler have been changed in order to prevent conflicts when C and C++ files have the same names. Object files generated from C source files have the <code>.c.obj</code> extension. Object files generated from C++ source files have the <code>.cpp.obj</code> extension. Object files generated from assembly source files still have the <code>.obj</code> extension.
SLAU131T	Object Modules	<a href="#">Section 2.6</a>	Revised information about types of symbols for clarity.
SLAU131T	Assembler Directives	<a href="#">.bits topic</a>	Modified the description of the <code>.bits</code> directive.
SLAU131T	Assembler Directives	<a href="#">.symdepend topic</a> , <a href="#">.weak topic</a>	Split <code>.symdepend</code> and <code>.weak</code> directive topics.
SLAU131T	Linker	<a href="#">Section 8.4</a>	Added the <code>--emit_references:file</code> linker option.
SLAU131T	Linker	<a href="#">Section 8.4</a>	Added documentation for the <code>--retain</code> linker option.
SLAU131S	Linker	<a href="#">Section 8.4</a> , <a href="#">Section 8.4.10</a> , and <a href="#">Section 8.5.9</a>	Added the <code>--ecc=on</code> linker option, which enables ECC generation. Note that ECC generation is now off by default.
SLAU131S	Linker	<a href="#">Section 8.5.7.3</a>	Added linker syntax to combine initialized section with uninitialized sections.
SLAU131S	Linker	<a href="#">Section 8.5.10.4</a>	Removed list of global symbols defined by the linker for COFF, since COFF is no longer used.
SLAU131R	Hex Conversion Utility	<a href="#">Section 12.2.1</a> and <a href="#">Section 12.10</a>	Added the <code>--array</code> option, which causes the array output format to be generated.
SLAU131O	Linker Description	<a href="#">Section 8.9</a>	Provided a link to an E2E blog post that provides examples that perform cyclic redundancy checking using linker-generated CRC tables.
SLAU131N	Linker Description	<a href="#">Section 8.5.9</a>	Documented revised behavior of ECC directives.

Version Added	Chapter	Location	Additions / Modifications / Deletions
SLAU131M	Linker Description	<a href="#">Section 8.4</a>	Several linker options have been deprecated, removed, or renamed. The linker continues to accept some of the deprecated options, but they are not recommended for use. See the <a href="#">Compiler Option Cleanup wiki page</a> for a list of deprecated and removed options, options that have been removed from CCS, and options that have been renamed.
SLAU131M	Linker Description	<a href="#">Section 8.4.5</a>	The default for --cinit_compression and --copy_compression has been changed from RLE to LZSS.
SLAU131L	Linker Description	<a href="#">Section 8.5.3</a>	Information about accessing files and libraries from a linker command file has been added.
SLAU131L	Linker Description	<a href="#">Section 8.9.2</a>	The list of available CRC algorithms has been expanded.
SLAU131L	Object File Utilities	<a href="#">Section 11.1</a>	A -cg option has been added to the Object File Display utility to display function stack usage and callee information in XML format.
SLAU131K	Object Modules	<a href="#">Section 2.1</a>	The COFF object file format is no longer supported. The MSP430 Code Generation Tools now support only the Embedded Application Binary Interface (EABI) ABI, which works only with object files that use the ELF object file format and the DWARF debug format. Sections of this document that referred to the COFF format have been removed or simplified. If you would like to produce COFF output files, please use v4.4 of the MSP430 Code Generation Tools and refer to <a href="#">SLAU131J</a> for documentation. The .link directive and the --no_sym_merge linker option have been deprecated.
SLAU131K	Object Modules, Directives, and Linker	<a href="#">Section 2.6.3</a> , <a href="#">.weak topic</a> , and <a href="#">Section 8.6.2</a>	Weak symbols can be declared using assembly or the linker command file. The linker removes weak symbols from the output file if the symbol is not required to resolve any references.
SLAU131K	Program Loading, Linker	<a href="#">Section 3.3.3.1</a> and <a href="#">Section 8.8.4.2</a>	Added the BINIT (boot-time initialization) copy table.
SLAU131K	Linker	<a href="#">Section 8.4.18</a>	Added modules as a filter for the --mapfile_contents linker option.
SLAU131K	Linker	<a href="#">Section 8.5.5.2.1</a>	Added an example for placing functions in RAM.
SLAU131K	Linker	<a href="#">Section 8.8.4.3</a>	Documented the table() operator.
SLAU131J	Object Modules	<a href="#">Section 2.4.4</a>	Added information about the current section and how directives interact with it.
SLAU131J	Object Modules	<a href="#">Section 2.6</a> and <a href="#">Section 2.6.4</a>	Added information about various types of symbols and about symbol tables.
SLAU131J	Linker	<a href="#">Section 8.4.2</a> , <a href="#">Section 8.5.10.7</a> , and <a href="#">Section 8.6.1</a>	Added information about referencing linker symbols.
SLAU131J	Linker	<a href="#">Section 8.4.9</a>	Added a list of the linker's predefined macros.
SLAU131J	Linker	<a href="#">Section 8.4.32</a>	Added the --use_hw_mpy linker option.
SLAU131J	Linker	<a href="#">Section 8.5.5.1</a>	Removed invalid syntax for load and fill properties.
SLAU131J	Linker	<a href="#">Section 8.9</a> and <a href="#">Appendix C</a>	Support has been added for linker-generated Cyclic Redundancy Code (CRC) tables.

## IMPORTANT NOTICE AND DISCLAIMER

TI PROVIDES TECHNICAL AND RELIABILITY DATA (INCLUDING DATASHEETS), DESIGN RESOURCES (INCLUDING REFERENCE DESIGNS), APPLICATION OR OTHER DESIGN ADVICE, WEB TOOLS, SAFETY INFORMATION, AND OTHER RESOURCES "AS IS" AND WITH ALL FAULTS, AND DISCLAIMS ALL WARRANTIES, EXPRESS AND IMPLIED, INCLUDING WITHOUT LIMITATION ANY IMPLIED WARRANTIES OF MERCHANTABILITY, FITNESS FOR A PARTICULAR PURPOSE OR NON-INFRINGEMENT OF THIRD PARTY INTELLECTUAL PROPERTY RIGHTS.

These resources are intended for skilled developers designing with TI products. You are solely responsible for (1) selecting the appropriate TI products for your application, (2) designing, validating and testing your application, and (3) ensuring your application meets applicable standards, and any other safety, security, or other requirements. These resources are subject to change without notice. TI grants you permission to use these resources only for development of an application that uses the TI products described in the resource. Other reproduction and display of these resources is prohibited. No license is granted to any other TI intellectual property right or to any third party intellectual property right. TI disclaims responsibility for, and you will fully indemnify TI and its representatives against, any claims, damages, costs, losses, and liabilities arising out of your use of these resources.

TI's products are provided subject to TI's Terms of Sale ([www.ti.com/legal/termsofsale.html](http://www.ti.com/legal/termsofsale.html)) or other applicable terms available either on [ti.com](http://ti.com) or provided in conjunction with such TI products. TI's provision of these resources does not expand or otherwise alter TI's applicable warranties or warranty disclaimers for TI products.

Mailing Address: Texas Instruments, Post Office Box 655303, Dallas, Texas 75265  
Copyright © 2020, Texas Instruments Incorporated