

# TPS65251 High Current, Synchronous Step Down Three Buck Switcher Evaluation Module

## User's Guide



Literature Number: SLVU399A  
August 2010–Revised August 2010



---

---

---

<b>1</b>	<b>Introduction</b> .....	<b>5</b>
<b>2</b>	<b>Background</b> .....	<b>5</b>
<b>3</b>	<b>Schematic</b> .....	<b>5</b>
<b>4</b>	<b>Placement (Top Layer)</b> .....	<b>7</b>
<b>5</b>	<b>Bench Test Setup Conditions</b> .....	<b>8</b>
	5.1 Headers Description and Jumper Placement .....	8
	5.2 Jumpers .....	9
	5.3 Test Points and Placement .....	9
<b>6</b>	<b>Power-Up Procedure</b> .....	<b>10</b>
<b>7</b>	<b>Bill of Materials</b> .....	<b>10</b>

## List of Figures

1	TPS65251 Schematic .....	6
2	Placement (Top Layer) .....	7
3	Headers Description and Jumper Placement .....	8

## List of Tables

1	Input Voltage and Output Current Summary .....	5
2	Jumpers .....	9
3	Test Points and Placement .....	9
4	Bill of Materials .....	10

## 1 Introduction

This document presents the information required to power the TPS65251 PMIC as well as the support documentation including schematic and bill of materials.

## 2 Background

The TPS65251 PMIC is designed to provide 3-A and 2-A continuous outputs with an operational range of 4.5 V to 18 V and an externally set switching frequency ranging from 300 kHz to 2.2 MHz. When the PMIC is not fully loaded, Buck1 can be loaded to 3.5 A and Buck2 and Buck3 to 2.5 A.

As there are many possible options to set the converters, [Table 1](#) presents the performance specification summary for the EVM.

**Table 1. Input Voltage and Output Current Summary**

EVM	TEST CONDITIONS	OUTPUT CURRENT RANGE
TPS65251EVM	$V_{IN} = 4.5 \text{ V to } 13 \text{ V}$ $f_{sw} = 500 \text{ kHz}$	Buck1, 1.2 V, 3 A Buck2, 1.8 V, 2 A Buck3, 3.3 V, 2 A (25°C ambient)

This evaluation module is designed to provide access to the features of the TPS65251. Some modifications can be made to this module to test performance at different input and output voltages, current and frequency operation. Please contact TI Field Applications Group for advice on these matters.

## 3 Schematic

See next page.

The resistor and capacitor values have been chosen according to the guidelines presented on the TPS65251 spec available at <http://focus.ti.com/docs/prod/folders/print/tps65251.html>.

Note that for the purpose of gains-phase measurements R10, R19 and R21 (0  $\Omega$  on the EVM) need to be replaced by suitable low value resistors as per the network analyzer setup required. Test points are provided on either end of the resistors to allow for easy measurement.

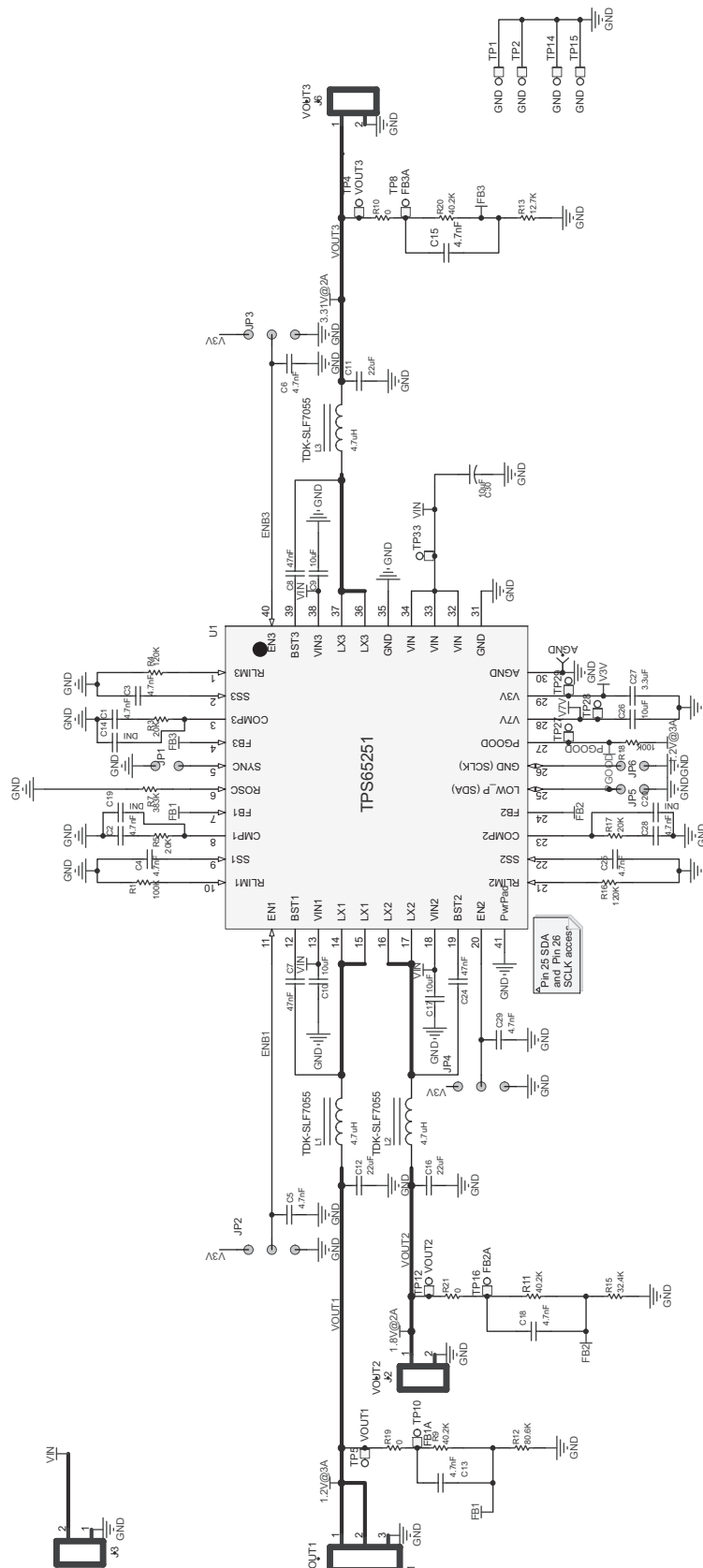


Figure 1. TPS65251 Schematic

4 Placement (Top Layer)

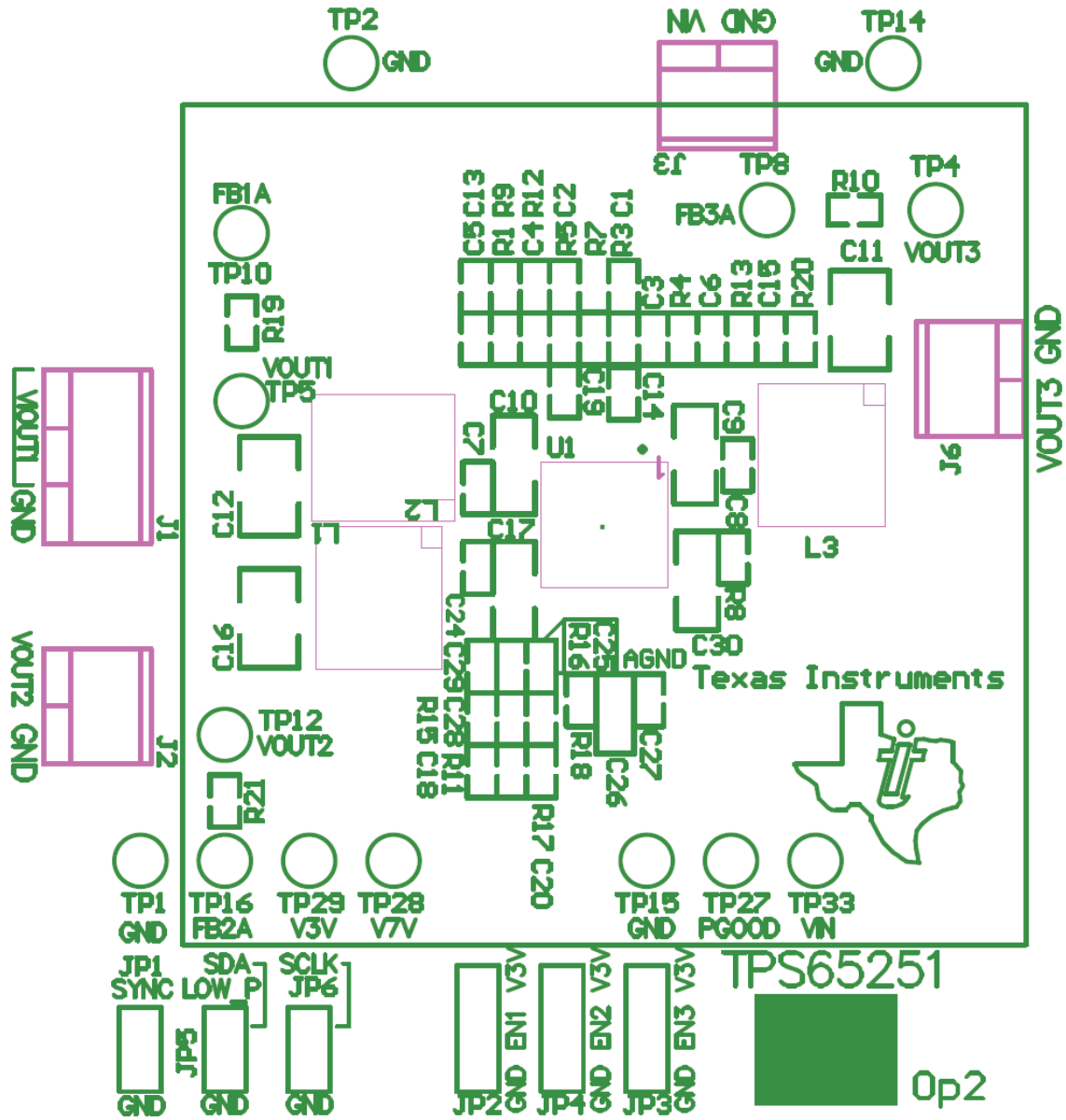


Figure 2. Placement (Top Layer)

## 5 Bench Test Setup Conditions

### 5.1 Headers Description and Jumper Placement

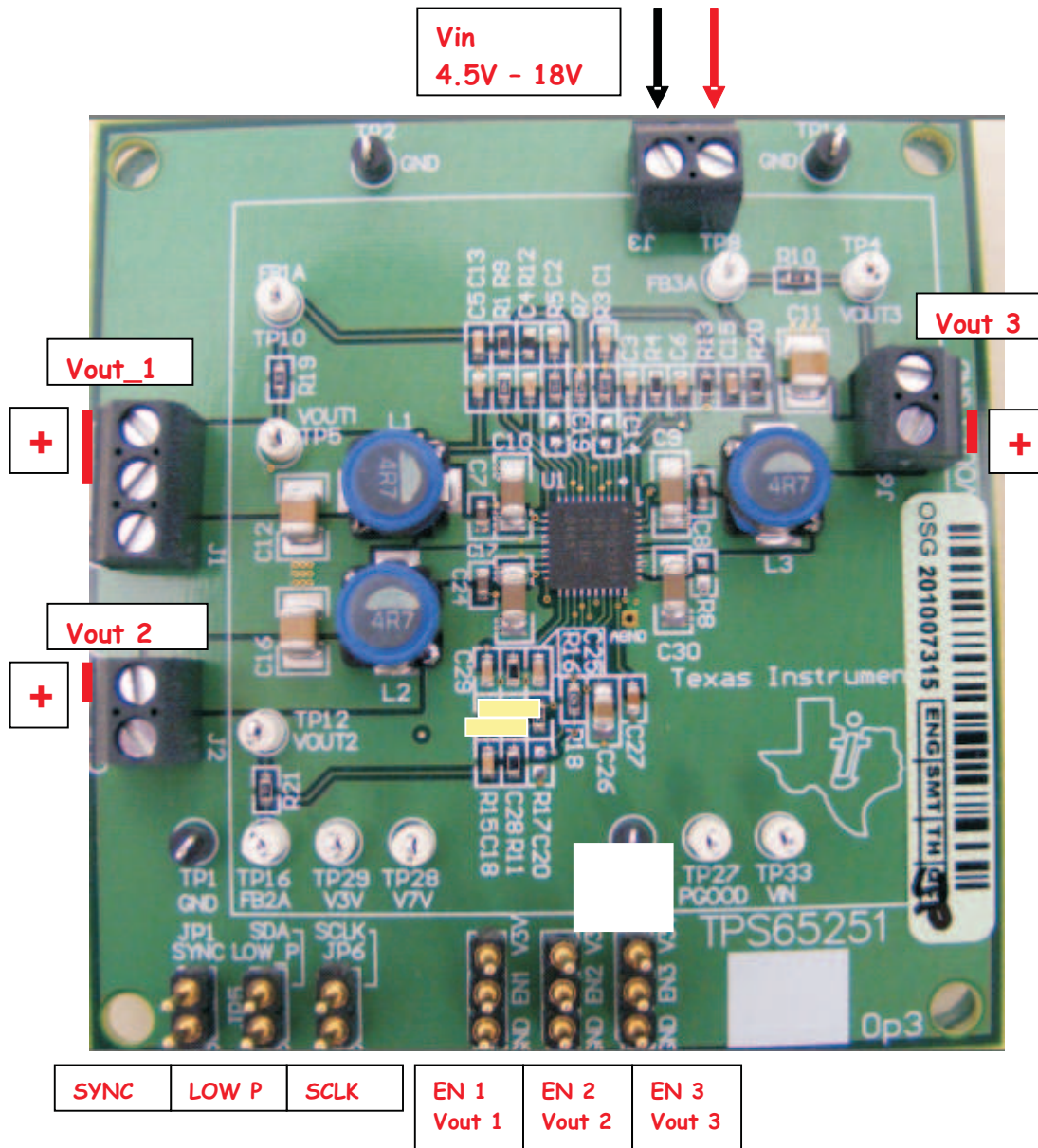


Figure 3. Headers Description and Jumper Placement

Test points:

Black – GND

White – Each output, feed-back, power good and  $V_{IN}$ . All marking on PCB.



## 5.2 Jumpers

**Table 2. Jumpers**

JUMPER NO.	FUNCTION	PLACEMENT	COMMENT
JP1	SYNC input	For buck internal clock fit jumper. For external SYNC connect as per drawing.	Jumper must be fitted if no external SYNC is used
JP2	Buck1 enable (EN1)	For automatic start-up fit jumper to V3V. For sequencing do not fit jumper. To disable converter fit jumper to GND.	Fit according to test requirement
JP3	Buck3 enable (EN3)	For automatic start-up fit jumper to V3V. For sequencing do not fit jumper. To disable converter fit jumper to GND.	Fit according to test requirement
JP4	Buck2 enable (EN2)	For automatic start-up fit jumper to V3V. For sequencing do not fit jumper. To disable converter fit jumper to GND.	Fit according to test requirement
JP5	LOW_P	Low power: Power save mode ON/OFF. If need low power mode test, should connect V3V internal regulator test point (TP29).	Fit according to test requirement. During normal operation jumper must be fitted.
JP6	GND	For normal operation fit jumper (GND)	Fit according to test requirement. During normal operation jumper must be fitted.

## 5.3 Test Points and Placement

Buck converter outputs are red and have a label for easy location. Close to any of these test points there are black ground test points to allow for DVM measurement or to use a metal exposed scope probe to reduce common mode noise measurements. All test points are described in [Table 3](#).

**Table 3. Test Points and Placement**

TEST POINT	NAME	SIGNAL	COLOR	COMMENT
TP1	GND	Ground	Black	
TP2	GND	Ground	Black	
TP3	AGND	Ground		Not fitted. Only Via.
TP4	VOUT3	Buck3 output	White	
TP5	VOUT1	Buck1 output	White	
TP8	FB3A	Input for gain-phase measurement Buck3	White	Normally not used
TP10	FB1A	Input for gain-phase measurement Buck1	White	Normally not used
TP12	VOUT2	Buck2 output	White	Normally not used
TP14	GND	Ground	Black	
TP15	GND	Ground	Black	
TP16	FB2A	Input for gain-phase measurement Buck2	White	Normally not used
TP27	PGOOD	Power Good (open drain connected to Buck1 output)	White	
TP28	V7V	V7V pin (internal rail)	White	
TP29	V3V	V3V pin (internal rail)	White	
TP33	VIN	Input supply	White	

## 6 Power-Up Procedure

1. Define which converters are to be enabled or disabled by connecting the correct jumpers accordingly (enable to V3V, disable to GND for all cases).
2. Apply a DC voltage to jumper J3. Polarity is clearly marked on the silk-screen.
3. Verify that the relevant converters are powered up by the output voltages. The whole start-up process will take around 100 ms. PGOOD will be asserted after 1 s.
4. Apply loads to the output connectors.
5. For low power and SYNC operation remove the jumpers and connect control supplies as indicated in the bench test setup section.

## 7 Bill of Materials

**Table 4. Bill of Materials**

ITEM	QUANTITY	DESIGNATOR	VALUE	FOOTPRINT	MANUFACTURER	MANUFACTURER PART NO.	DESCRIPTION	COMMENT
1	9	C1, C2, C3, C4, C5, C6, C25, C28, C29	4.7 nF	603	Panasonic -ECG	ECJ-1VB1H472K	4700PF 50V X7R 0603	Ceramic capacitor
2	3	C7, C8, C24	47 nF	603	Panasonic -ECG	ECJ-1VF1H473Z	47000PF 50V Y5V 0603	Ceramic capacitor
3	3	C9, C10, C17	10 µF	1206	Panasonic -ECG	ECJ-3YB1E106M	10UF 25V X5R 1206	Ceramic capacitor
4	3	C11, C12, C16	22 µF	1210	Panasonic -ECG	ECJ-4YB1E226M	22UF 25V X5R 1210	Ceramic capacitor
5	3	C13, C15, C18	470 pF	603	Panasonic -ECG	ECJ-1VB2A471K	470PF 100V X7R 0603	Ceramic capacitor
6	3	C14, C19, C20	DNI	603				Capacitor
7	1	C26	10 µF	805	Panasonic -ECG	ECJ-2FB1A106K	10UF 10V X5R 0805	Ceramic capacitor
8	1	C27	3.3 µF	603	TDK	C1608X5R1A335K	3.3UF 10V X5R 0603	Ceramic capacitor
9	1	C30	10 µF	1206	Panasonic -ECG	ECJ-3YB1E106M	10UF 25V, X5R 1206	Ceramic capacitor
10	1	J1		TB_3X3.5MM	OnShoreTechnology Inc	ED555/3DS	Terminal, 3 pin, 6 A, 3.5 mm	VOUT1
11	1	J2, J3, J6		TB_2X3.5MM	OnShoreTechnology Inc	ED555/2DS	Terminal, 2 pin, 6 A, 3.5 mm	TBLK_6A_2X3.5MM
12	3	JP1, JP5, JP6		JMP0.2	Mil-Max	800-10-064-10-001000	SIP HEADER STRAIGHT PCB	JUMPER 2 PIN
13	3	JP2, JP3, JP4		JMP0.3	Mil-Max	800-10-064-10-001000	SIP HEADER STRAIGHT PCB	JUMPER 2 PIN
14	3	L1, L2, L3	4.7 µH	IND_SLF7055	TDK Corporation	SLF7055T-4R7N3R1-3PF	Magnetic-Core Inductor	TDK-SLF7055
15	2	R1, R18	100 kΩ	603	Panasonic -ECG	ERA-3AEB104V	RES 100 kΩ 1/10 W .1% 0603 SMD	Resistor
16	3	R3, R5, R17	20 kΩ	603	Panasonic -ECG	ERA-3YEB203V	RES 20 kΩ 1/10 W .1% 0603 SMD	Resistor
17	2	R4, R16	150 kΩ	603	Panasonic -ECG	ERJ-3EKF1503V	RES 150 kΩ 1/10 W 1% 0603 SMD	Resistor
18	1	R7	383 kΩ	603	Panasonic -ECG	ERJ-3EKF3833V	RES 383 kΩ 1/10 W 1% 0603 SMD	Resistor
19	1	R8	DNI	603	Panasonic -ECG	ERJ-3GEY0R00V	RES ZERO Ω 1/10 W 5% 0603 SMD	Resistor

**Table 4. Bill of Materials (continued)**

ITEM	QUANTITY	DESIGNATOR	VALUE	FOOTPRINT	MANUFACTURER	MANUFACTURER PART NO.	DESCRIPTION	COMMENT
20	3	R9, R11, R20	360 k $\Omega$	603	Panasonic -ECG	ERJ-3EKF3603V	RES 360 k $\Omega$ 1/10 W 1% 0603 SMD	Res1
21	3	R10, R19, R21	49.9 $\Omega$	603	Susumu Co Ltd	RR0816Q-49R9-D-68R	RES 49.9 $\Omega$ 1/16 W .5% 0603 SMD	Res1
22	1	R12	715 k $\Omega$	603	Panasonic -ECG	ERJ-3EKF7153V	RES 715 k $\Omega$ 1/10 W 1% 0603 SMD	Resistor
23	1	R13	115 k $\Omega$	603	Panasonic -ECG	ERJ-3EKF1153V	RES 115 k $\Omega$ 1/10 W 1% 0603 SMD	Resistor
24	1	R15	287 k $\Omega$	603	Panasonic -ECG	ERJ-3EKF2873V	RES 287 k $\Omega$ 1/10 W 1% 0603 SMD	Resistor
25	4	TP1, TP2, TP14, TP15,	Black	TEST POINT 0.052	Keystone	5001	TEST POINT MINI .040"D BLACK	GND
26	1	TP3	STD	TP-SMALL				Test Point, 0.020 Hole
27	1	TP4, TP5, TP8, TP10, TP12, TP16, TP27, TP28, TP29, TP33		TEST POINT 0.052	Keystone	5002	TEST POINT MINI .040"D WHITE	Glass Beaded Test Point
28	1	U1		QFN-40	TI		TPS65251	

## Evaluation Board/Kit Important Notice

Texas Instruments (TI) provides the enclosed product(s) under the following conditions:

This evaluation board/kit is intended for use for **ENGINEERING DEVELOPMENT, DEMONSTRATION, OR EVALUATION PURPOSES ONLY** and is not considered by TI to be a finished end-product fit for general consumer use. Persons handling the product(s) must have electronics training and observe good engineering practice standards. As such, the goods being provided are not intended to be complete in terms of required design-, marketing-, and/or manufacturing-related protective considerations, including product safety and environmental measures typically found in end products that incorporate such semiconductor components or circuit boards. This evaluation board/kit does not fall within the scope of the European Union directives regarding electromagnetic compatibility, restricted substances (RoHS), recycling (WEEE), FCC, CE or UL, and therefore may not meet the technical requirements of these directives or other related directives.

Should this evaluation board/kit not meet the specifications indicated in the User's Guide, the board/kit may be returned within 30 days from the date of delivery for a full refund. **THE FOREGOING WARRANTY IS THE EXCLUSIVE WARRANTY MADE BY SELLER TO BUYER AND IS IN LIEU OF ALL OTHER WARRANTIES, EXPRESSED, IMPLIED, OR STATUTORY, INCLUDING ANY WARRANTY OF MERCHANTABILITY OR FITNESS FOR ANY PARTICULAR PURPOSE.**

The user assumes all responsibility and liability for proper and safe handling of the goods. Further, the user indemnifies TI from all claims arising from the handling or use of the goods. Due to the open construction of the product, it is the user's responsibility to take any and all appropriate precautions with regard to electrostatic discharge.

**EXCEPT TO THE EXTENT OF THE INDEMNITY SET FORTH ABOVE, NEITHER PARTY SHALL BE LIABLE TO THE OTHER FOR ANY INDIRECT, SPECIAL, INCIDENTAL, OR CONSEQUENTIAL DAMAGES.**

TI currently deals with a variety of customers for products, and therefore our arrangement with the user **is not exclusive.**

TI assumes **no liability for applications assistance, customer product design, software performance, or infringement of patents or services described herein.**

Please read the User's Guide and, specifically, the Warnings and Restrictions notice in the User's Guide prior to handling the product. This notice contains important safety information about temperatures and voltages. For additional information on TI's environmental and/or safety programs, please contact the TI application engineer or visit [www.ti.com/esh](http://www.ti.com/esh).

No license is granted under any patent right or other intellectual property right of TI covering or relating to any machine, process, or combination in which such TI products or services might be or are used.

## FCC Warning

This evaluation board/kit is intended for use for **ENGINEERING DEVELOPMENT, DEMONSTRATION, OR EVALUATION PURPOSES ONLY** and is not considered by TI to be a finished end-product fit for general consumer use. It generates, uses, and can radiate radio frequency energy and has not been tested for compliance with the limits of computing devices pursuant to part 15 of FCC rules, which are designed to provide reasonable protection against radio frequency interference. Operation of this equipment in other environments may cause interference with radio communications, in which case the user at his own expense will be required to take whatever measures may be required to correct this interference.

## EVM Warnings and Restrictions

It is important to operate this EVM within the input voltage range of and the output voltage range of .

Exceeding the specified input range may cause unexpected operation and/or irreversible damage to the EVM. If there are questions concerning the input range, please contact a TI field representative prior to connecting the input power.

Applying loads outside of the specified output range may result in unintended operation and/or possible permanent damage to the EVM. Please consult the EVM User's Guide prior to connecting any load to the EVM output. If there is uncertainty as to the load specification, please contact a TI field representative.

During normal operation, some circuit components may have case temperatures greater than . The EVM is designed to operate properly with certain components above as long as the input and output ranges are maintained. These components include but are not limited to linear regulators, switching transistors, pass transistors, and current sense resistors. These types of devices can be identified using the EVM schematic located in the EVM User's Guide. When placing measurement probes near these devices during operation, please be aware that these devices may be very warm to the touch.

Mailing Address: Texas Instruments, Post Office Box 655303, Dallas, Texas 75265  
Copyright © 2010, Texas Instruments Incorporated

## IMPORTANT NOTICE

Texas Instruments Incorporated and its subsidiaries (TI) reserve the right to make corrections, modifications, enhancements, improvements, and other changes to its products and services at any time and to discontinue any product or service without notice. Customers should obtain the latest relevant information before placing orders and should verify that such information is current and complete. All products are sold subject to TI's terms and conditions of sale supplied at the time of order acknowledgment.

TI warrants performance of its hardware products to the specifications applicable at the time of sale in accordance with TI's standard warranty. Testing and other quality control techniques are used to the extent TI deems necessary to support this warranty. Except where mandated by government requirements, testing of all parameters of each product is not necessarily performed.

TI assumes no liability for applications assistance or customer product design. Customers are responsible for their products and applications using TI components. To minimize the risks associated with customer products and applications, customers should provide adequate design and operating safeguards.

TI does not warrant or represent that any license, either express or implied, is granted under any TI patent right, copyright, mask work right, or other TI intellectual property right relating to any combination, machine, or process in which TI products or services are used. Information published by TI regarding third-party products or services does not constitute a license from TI to use such products or services or a warranty or endorsement thereof. Use of such information may require a license from a third party under the patents or other intellectual property of the third party, or a license from TI under the patents or other intellectual property of TI.

Reproduction of TI information in TI data books or data sheets is permissible only if reproduction is without alteration and is accompanied by all associated warranties, conditions, limitations, and notices. Reproduction of this information with alteration is an unfair and deceptive business practice. TI is not responsible or liable for such altered documentation. Information of third parties may be subject to additional restrictions.

Resale of TI products or services with statements different from or beyond the parameters stated by TI for that product or service voids all express and any implied warranties for the associated TI product or service and is an unfair and deceptive business practice. TI is not responsible or liable for any such statements.

TI products are not authorized for use in safety-critical applications (such as life support) where a failure of the TI product would reasonably be expected to cause severe personal injury or death, unless officers of the parties have executed an agreement specifically governing such use. Buyers represent that they have all necessary expertise in the safety and regulatory ramifications of their applications, and acknowledge and agree that they are solely responsible for all legal, regulatory and safety-related requirements concerning their products and any use of TI products in such safety-critical applications, notwithstanding any applications-related information or support that may be provided by TI. Further, Buyers must fully indemnify TI and its representatives against any damages arising out of the use of TI products in such safety-critical applications.

TI products are neither designed nor intended for use in military/aerospace applications or environments unless the TI products are specifically designated by TI as military-grade or "enhanced plastic." Only products designated by TI as military-grade meet military specifications. Buyers acknowledge and agree that any such use of TI products which TI has not designated as military-grade is solely at the Buyer's risk, and that they are solely responsible for compliance with all legal and regulatory requirements in connection with such use.

TI products are neither designed nor intended for use in automotive applications or environments unless the specific TI products are designated by TI as compliant with ISO/TS 16949 requirements. Buyers acknowledge and agree that, if they use any non-designated products in automotive applications, TI will not be responsible for any failure to meet such requirements.

Following are URLs where you can obtain information on other Texas Instruments products and application solutions:

<b>Products</b>		<b>Applications</b>	
Amplifiers	<a href="http://amplifier.ti.com">amplifier.ti.com</a>	Audio	<a href="http://www.ti.com/audio">www.ti.com/audio</a>
Data Converters	<a href="http://dataconverter.ti.com">dataconverter.ti.com</a>	Automotive	<a href="http://www.ti.com/automotive">www.ti.com/automotive</a>
DLP® Products	<a href="http://www.dlp.com">www.dlp.com</a>	Communications and Telecom	<a href="http://www.ti.com/communications">www.ti.com/communications</a>
DSP	<a href="http://dsp.ti.com">dsp.ti.com</a>	Computers and Peripherals	<a href="http://www.ti.com/computers">www.ti.com/computers</a>
Clocks and Timers	<a href="http://www.ti.com/clocks">www.ti.com/clocks</a>	Consumer Electronics	<a href="http://www.ti.com/consumer-apps">www.ti.com/consumer-apps</a>
Interface	<a href="http://interface.ti.com">interface.ti.com</a>	Energy	<a href="http://www.ti.com/energy">www.ti.com/energy</a>
Logic	<a href="http://logic.ti.com">logic.ti.com</a>	Industrial	<a href="http://www.ti.com/industrial">www.ti.com/industrial</a>
Power Mgmt	<a href="http://power.ti.com">power.ti.com</a>	Medical	<a href="http://www.ti.com/medical">www.ti.com/medical</a>
Microcontrollers	<a href="http://microcontroller.ti.com">microcontroller.ti.com</a>	Security	<a href="http://www.ti.com/security">www.ti.com/security</a>
RFID	<a href="http://www.ti-rfid.com">www.ti-rfid.com</a>	Space, Avionics & Defense	<a href="http://www.ti.com/space-avionics-defense">www.ti.com/space-avionics-defense</a>
RF/IF and ZigBee® Solutions	<a href="http://www.ti.com/lprf">www.ti.com/lprf</a>	Video and Imaging	<a href="http://www.ti.com/video">www.ti.com/video</a>
		Wireless	<a href="http://www.ti.com/wireless-apps">www.ti.com/wireless-apps</a>